



**SMT–Power–Inductors**

**B82473**

**DATA SHEET**

**SMD**

**Rated inductance 10  $\mu$ H .. 470  $\mu$ H**

### **Construction**

- Ferrite core
- Winding: enamel copper wire
- Winding soldered to terminals
- Plastic terminal carrier

### **Features**

- High rated current
- Low DC resistance
- Suitable for reflow soldering (IR and vapor phase)

### **Applications**

- Filtering of supply voltages
- Coupling / decoupling
- DC/DC converters
- Automotive electronics

### **Terminals**

- Tinned

### **Marking**

Marking on component:  
Manufacturer, L value (in  $\mu$ H)

Minimum marking on reel:  
Manufacturer, part number, ordering code,  
L value and tolerance  
quantity, date of packing

### **Delivery mode**

16–mm blister tape , reel packing  
packaging quantity 1000pcs/reel



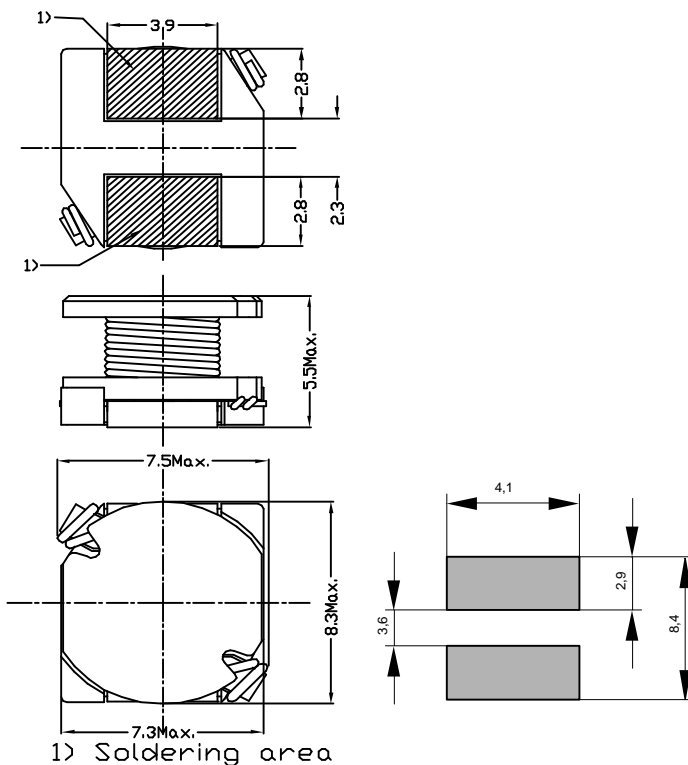
SMT-Power-Inductors

B82473

## DATA SHEET

**SMD****General technical data**

Rated inductance $L_R$	Measured with HP 4284A , measuring voltage 100 mV
Rated current $I_R$	Maximum permissible DC with temperature increase of $\leq 40$ K at ambient temperature of $85^\circ\text{C}$
Saturation current $I_{\text{sat}}$	Maximum permissible DC with inductance decrease $\Delta L/L_0 \approx 10\%$
Climatic category	In accordance with IEC 60068-1 55/125/56 ( $-55^\circ\text{C}/ +125^\circ\text{C}/ 56$ days damp heat test)
Solderability	5s, $235^\circ\text{C}$ , wetting $> 90\%$
DC resistance $R_{\text{max}}$	Measured at $20^\circ\text{C}$ ambient temperature
Weight	Approx. 1,5g

**Dimensional drawing and layout recommendation**



SMT-Power-Inductors

B82473

DATA SHEET

**SMD****Characteristics and ordering codes**

$L_R$ $\mu\text{H}$	$f_L$ MHz	Tolerance	$I_R$ A	$I_{\text{Sat}}$ A	$R_{\text{max}}$ $\Omega$	Ordering code
10	0,1	10 %	2,30	2,50	0,07	B82473-A1103-K
15	0,1	10 %	1,80	2,00	0,09	B82473-A1153-K
22	0,1	10 %	1,50	1,60	0,11	B82473-A1223-K
33	0,1	10 %	1,20	1,30	0,13	B82473-A1333-K
47	0,1	10 %	1,10	1,20	0,18	B82473-A1473-K
68	0,1	10 %	0,85	0,90	0,28	B82473-A1683-K
100	0,1	10 %	0,72	0,80	0,43	B82473-A1104-K
150	0,1	10 %	0,58	0,65	0,64	B82473-A1154-K
220	0,1	10 %	0,49	0,55	0,96	B82473-A1224-K
330	0,1	10 %	0,40	0,45	1,26	B82473-A1334-K
470	0,1	10 %	0,34	0,40	1,96	B82473-A1474-K