



**Rated inductance 1  $\mu$ H .. 1000  $\mu$ H**

### Construction

- Ferrite core
- Winding: enamel copper wire
- Winding soldered to terminals
- Plastic terminal carrier

### Features

- Very high rated current
- Low DC resistance
- Suitable for reflow soldering

### Applications

- Filtering of supply voltages
- Coupling / decoupling
- DC/DC converters
- Automotive electronics
- Telecommunications

### Terminals

- Tinned

### Marking

Marking on component:  
Manufacturer, L value (in  $\mu$ H), date code

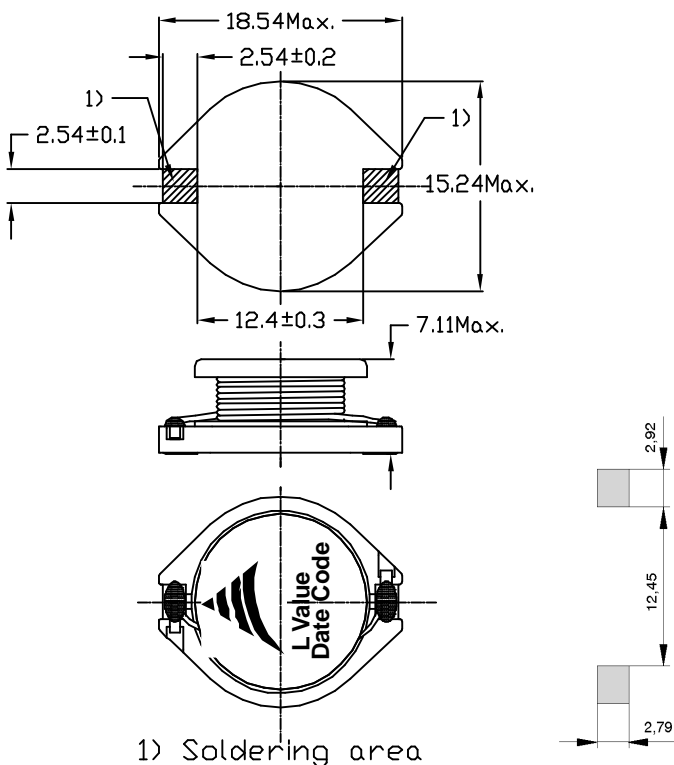
Minimum marking on reel:  
Manufacturer, part number, ordering code,  
L value and tolerance  
quantity, date of packing

### Delivery mode

32–mm blister tape , reel packing  
packaging quantity 250pcs/reel


**General technical data**

|                              |  |
|------------------------------|--|
| Rated inductance $L_R$       | Measured with HP 4284A ,<br>measuring voltage 100 mV   |
| Rated current $I_R$          | Maximum permissible DC with temperature increase<br>of $\leq 40$ K at ambient temperature of 85 °C |
| Saturation current $I_{sat}$ | Maximum permissible DC with inductance decrease<br>$\Delta L/L_0 \approx 10\%$                     |
| Climatic category            | In accordance with IEC 60068–1 55/125/56<br>(–55 °C/ +125 °C/ 56 days damp heat test)              |
| Solderability                | 5s, 235°C, wetting > 90%   |
| DC resistance $R_{max}$      | Measured at 20 °C ambient temperature  |
| Weight                       | Approx. 3g   |

**Dimensional drawing and layout recommendation**



**Characteristics and ordering codes**

| $L_R$<br>$\mu\text{H}$ | $f_L$<br>MHz | Tolerance | $I_R$<br>A | $I_{\text{sat}}$<br>A | $R_{\text{max}}$<br>$\Omega$ | Ordering code  |
|------------------------|--------------|-----------|------------|-----------------------|------------------------------|----------------|
| 1,0                    | 0,1          | 20 %      | 8,6        | 20                    | 0,011                        | B82479-A1102-M |
| 2,2                    | 0,1          | 20 %      | 7,1        | 16                    | 0,014                        | B82479-A1222-M |
| 3,3                    | 0,1          | 20 %      | 6,2        | 14                    | 0,016                        | B82479-A1332-M |
| 5,6                    | 0,1          | 20 %      | 5,3        | 12                    | 0,022                        | B82479-A1562-M |
| 10                     | 0,1          | 20 %      | 4,3        | 10                    | 0,032                        | B82479-A1103-M |
| 15                     | 0,1          | 20 %      | 4,0        | 8,0                   | 0,036                        | B82479-A1153-M |
| 22                     | 0,1          | 20 %      | 3,5        | 7,0                   | 0,047                        | B82479-A1223-M |
| 33                     | 0,1          | 20 %      | 3,0        | 5,5                   | 0,066                        | B82479-A1333-M |
| 47                     | 0,1          | 20 %      | 2,6        | 4,5                   | 0,087                        | B82479-A1473-M |
| 68                     | 0,1          | 20 %      | 2,3        | 3,5                   | 0,13                         | B82479-A1683-M |
| 100                    | 0,1          | 20 %      | 1,8        | 3,0                   | 0,19                         | B82479-A1104-M |
| 150                    | 0,1          | 20 %      | 1,5        | 2,6                   | 0,25                         | B82479-A1154-M |
| 220                    | 0,1          | 20 %      | 1,2        | 2,4                   | 0,38                         | B82479-A1224-M |
| 330                    | 0,1          | 20 %      | 1,0        | 1,9                   | 0,56                         | B82479-A1334-M |
| 470                    | 0,1          | 20 %      | 0,82       | 1,4                   | 0,85                         | B82479-A1474-M |
| 680                    | 0,1          | 20 %      | 0,72       | 1,2                   | 1,20                         | B82479-A1684-M |
| 1000                   | 0,1          | 20 %      | 0,56       | 1,0                   | 1,80                         | B82479-A1105-M |



Typical diagrams

