

**VHF chokes with ferrite core**  
**Rated voltage 250 V dc/ac**  
**Rated current 0,2 to 2 A**  
**Rated inductance 120 to 3900  $\mu\text{H}$**



### Construction

- Ferrite cylinder core
- Winding: low-capacitance, multilayer, enamel copper wire
- Polyester insulating sleeve

### Features

- High resonance frequency
- High inductance ratings

### Applications

- RF blocking and filtering
- Interference suppression in small appliances

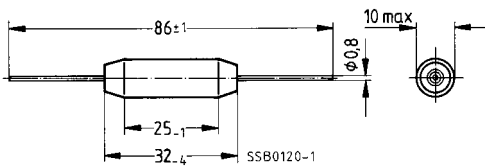
### Marking

$L_R$  and  $I_R$  in clear text

### Delivery mode

Bulk

### Dimensional drawing



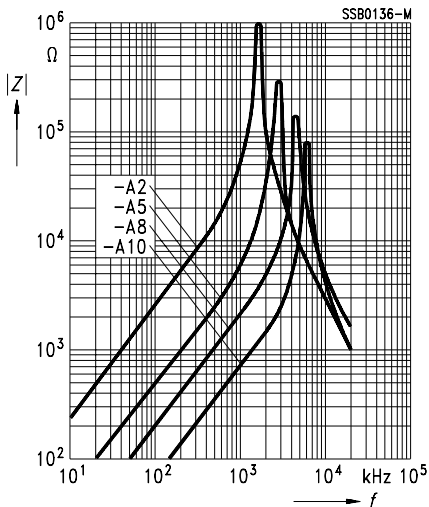
**Characteristics and ordering codes**

 For further technical data [see page 194](#)

| $I_R$ | $L_R$         | $f_{res}$ | $R_{typ}$ | Approx. weight | Ordering code |
|-------|---------------|-----------|-----------|----------------|---------------|
| A     | $\mu\text{H}$ | MHz       | $\Omega$  | g              |               |
| 0,2   | 3900          | 1,8       | 20        | 7              | B82500-C-A2   |
| 0,5   | 820           | 3,0       | 2,5       | 7              | B82500-C-A5   |
| 1,0   | 330           | 4,2       | 0,6       | 7              | B82500-C-A8   |
| 2,0   | 120           | 5,8       | 0,15      | 7              | B82500-C-A10  |

**Impedance  $|Z|$**   
 versus frequency  $f$   
 (typical values)

B82500-C-



**VHF chokes for power line applications**  
**Rated voltage 500 V dc/ac<sup>1)</sup>**  
**Rated current max. 1 A**



### Construction

- Round 6-aperture ferrite core
- With or without insulating sleeve

### Features

- The selected core material provides maximum impedance in the relevant frequency range of 50 to 200 MHz
- An insulating sleeve prevents any turn-to-turn short circuits

### Applications

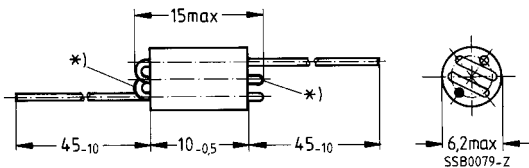
- Broadband interference suppression in electrical systems and equipment in the RF and VHF range
- Reduction of radiated interference in broadcasting and TV receivers

### Delivery mode

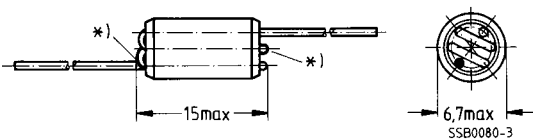
Bulk

### Dimensional drawing

Type B82114-R-A ... (without insulating sleeve)



Type B82114-R-C ... (with insulating sleeve)



Tinned leads,  
 wire diameter 0,5 + 0,15 mm

1) 500 Vac only with insulating sleeve  
 \*) Insulating sleeve

**Technical data**

|                   |                                                                                                                                                                    |
|-------------------|--------------------------------------------------------------------------------------------------------------------------------------------------------------------|
| Test voltage      | 2500 Vac, 1 min (only with insulation)                                                                                                                             |
| Rated current     | max. 1 A                                                                                                                                                           |
| Climatic category | In accordance with IEC 60068-1<br>B82114-R-A: 55/120/21 (– 55 °C/+120 °C/21 days damp heat test)<br>B82114-R-C: 55/125/56 (– 55 °C/+125 °C/56 days damp heat test) |

**Characteristics and ordering codes**

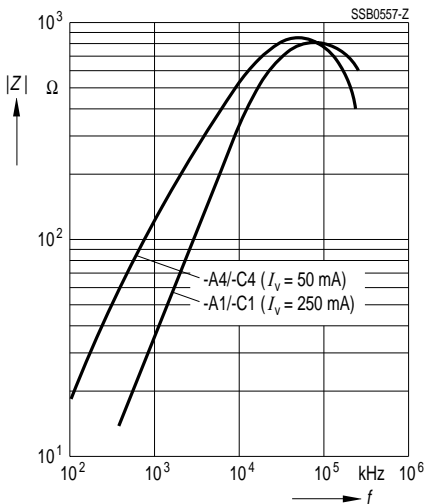
| $f_{\text{res}}$<br>MHz | $ Z $<br>at $f_{\text{res}}$<br>$\Omega$ | Color code | Number<br>of turns | Gewicht<br>ca.<br>g | Version                    | Ordering code              |
|-------------------------|------------------------------------------|------------|--------------------|---------------------|----------------------------|----------------------------|
| 60                      | 900                                      | brown      | 2,5                | 1,3                 | non-insulated<br>insulated | B82114-R-A4<br>B82114-R-C4 |
| 100                     | 800                                      | green      | 2,5                | 1,3                 | non-insulated<br>insulated | B82114-R-A1<br>B82114-R-C1 |

**Impedance  $|Z|$** 

 versus frequency  $f$  (typical values)

 $I_V$ : dc magnetic bias

B82114-R-

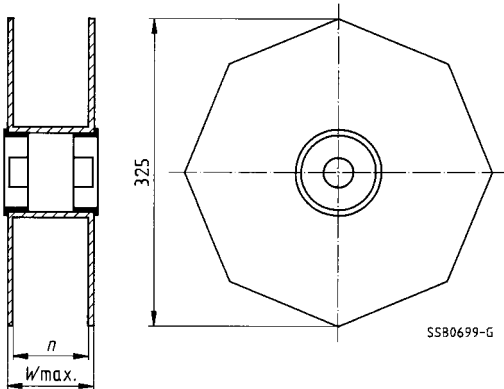


## VHF Chokes

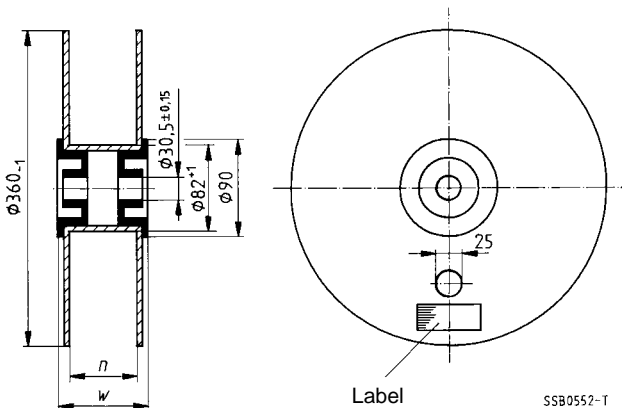
### Packing

#### VHF chokes

Reel packing for type B82111-E (for taping see data sheet [page 198](#))



Reel packing for types B82131 ... B82134 (for taping see data sheet [page 195](#))



| Type           | Reel dimensions (mm) |                  | Packing units |
|----------------|----------------------|------------------|---------------|
|                | $n + 1$              | $W \text{ max.}$ | Pieces/reel   |
| B82111-E       | 97                   | 109              | 1000          |
| B82131, B82132 | 95                   | 107              | 2000          |
| B82133, B82134 | 95                   | 107              | 1000          |

# Vakatseite