

**Sine-Wave Chokes**
**Rated voltage 250 Vac**
**Rated current 0,8 to 2,7 A**
**Rated inductance 0,5 to 3,0 mH**
**Construction**

- Choke consisting of rectangular ferrite core with air gap
- Closed polycarbonate coil former with 4 sections
- Without encapsulation
- One winding


**Features**

- Coil former flame-retardant as per UL 94 V-0
- Recycleable owing to omission of encapsulation and glue

**Applications**

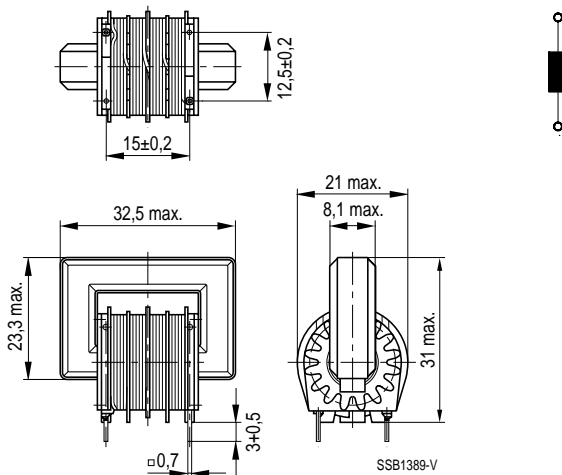
- Switch-mode power supplies with current pump
- Reduced harmonics input current

**Terminals**

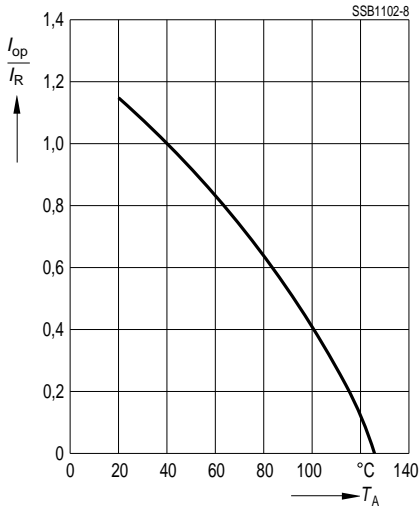
- Pins  $0,7 \times 0,7$  mm
- Lead spacing  $15 \times 12,5$  mm

**Marking**

Manufacturer, ordering code,  
rated current, rated inductance, rated current

**Dimensional drawing and pin configuration**


**General technical data**

Rated inductance $L_R$	Measured with HP 4275 A or HP 4284 A; Measuring frequency: $L \leq 1 \text{ mH} = 100 \text{ kHz}$ $L > 1 \text{ mH} = 10 \text{ kHz}$
Inductance tolerance	$\pm 30 \%$
DC resistance $R_{\text{typ}}$	Typical values, measured at $20^\circ\text{C}$
Rated voltage $V_R$	250 Vac / 350 Vdc
Climatic category	In accordance with IEC 60068-1 40/125/56 ( $-40^\circ\text{C}/+125^\circ\text{C}/56$ days damp heat test)
Standards	The chokes comply with EN 60938-2 und VDE 0565-2
Weight	Approx. 30 g
Current derating $I_{\text{op}}/I_R$ versus ambient temperature $T_A$	

**Characteristics and ordering codes**

$I_R$ A	$L_R$ mH	$R_{\text{typ}}$ $\Omega$	Ordering code
0,8	3,0	2,0	B82614-R2801-A30
1,0	2,0	1,3	B82614-R2102-A30
1,7	1,5	0,62	B82614-R2172-A30
2,0	1,0	0,42	B82614-R2202-A30
2,4	0,75	0,29	B82614-R2242-A30
2,7	0,5	0,23	B82614-R2272-A30