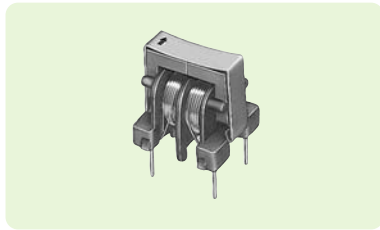


MURATA type PLA10

EMIFIL®

A range of uncased vertical core, compact common mode chokes. Suitable for AC power input filtering of common mode noise.



- ◆ Ideal for AC power input
- ◆ High inductance
- ◆ Compact size



Specification

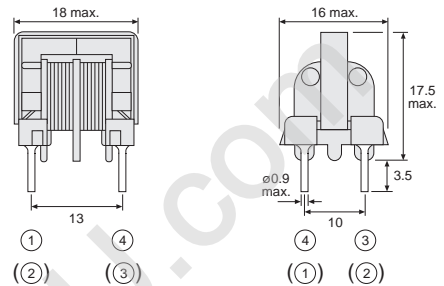
Voltage rating 300V
 Withstand voltage 2000V
 Insulation resistance 100MΩ min.
 Operating temperature range -25°C to +120°C

Current Rating (Aac)	Inductance min. (mH)	DC Resistance max. (Ω)
0.3	43	4.0
0.4	30	2.7
0.5	20	1.8
0.6	12	1.2
0.7	10	0.86
0.8	7.4	0.64
1.0	5.5	0.46
1.2	3.5	0.32
1.3	3.0	0.26
1.5	2.2	0.22
1.7	1.8	0.18
2.0	1.5	0.15

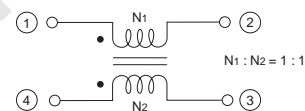
Manf. Part No. & Anglia Order Code

- PLA10AN4330R3R2B
- PLA10AN3030R4R2B
- PLA10AN2030R5R2B
- PLA10AN1230R6R2B
- PLA10AN1030R7R2B
- PLA10AN7420R8R2B
- PLA10AN5521R0R2B
- PLA10AN3521R2R2B
- PLA10AN3021R3R2B
- PLA10AN2221R5R2B
- PLA10AN1821R7R2B
- PLA10AN1522R0R2B

Dimensions (mm)



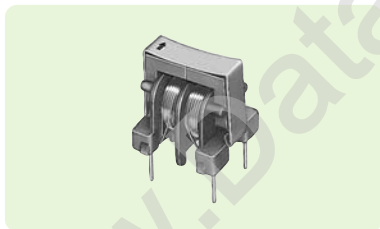
Schematic



MURATA type PLH10

EMIFIL®

A range of uncased vertical core, compact high frequency common mode chokes. Suitable for common mode filtering and AC supply applications such as switch mode power supplies.



- ◆ Ideal for SMPS
- ◆ High frequency
- ◆ Compact size

Specification

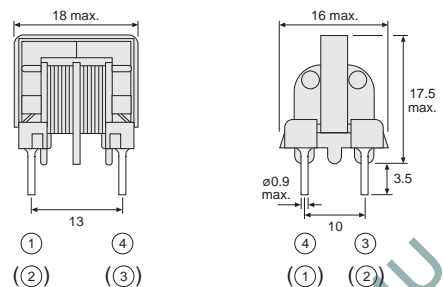
Voltage rating 300V
 Withstand voltage 2000V
 Insulation resistance 100MΩ min.
 Operating temperature range -25°C to +120°C

Current Rating (Aac)	Inductance min. (µH)	DC Resistance max. (Ω)
1.0	370	0.30
1.2	290	0.21
1.5	220	0.14
2.1	160	0.08
2.6	110	0.06
3.6	70	0.03

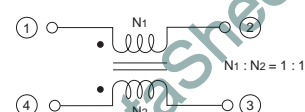
Manf. Part No. & Anglia Order Code

- PLH10AN3711R0P2B
- PLH10AN2911R2P2B
- PLH10AN2211R5P2B
- PLH10AN1612R1P2B
- PLH10AN1112R6P2B
- PLH10AN7003R6P2B

Dimensions (mm)



Schematic



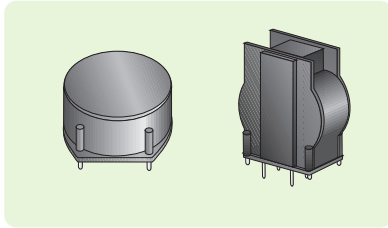
Panasonic

A range of Panasonic Common Mode Chokes is also available from Anglia. For the very latest information visit our website : www.angliac.com/panasonic

Alternatively, contact our Sales Desk to discuss your specific requirements.

EPCOS type B82721 & B82724 series

A range of fully encapsulated common mode power line chokes offered in horizontal or vertical mounting styles with a wide range of rated currents, up to 6A. Designed for AC power input filtering of common mode noise. Approvals to EN60938-2, UL1283 and VDE0565-2.



- ◆ Fully encapsulated design to **UL94V-0**
- ◆ **Ideal for lighting and PSU**
- ◆ High resonant frequency
- ◆ Current ratings up to **6A**
- ◆ Horizontal or vertical mounting option



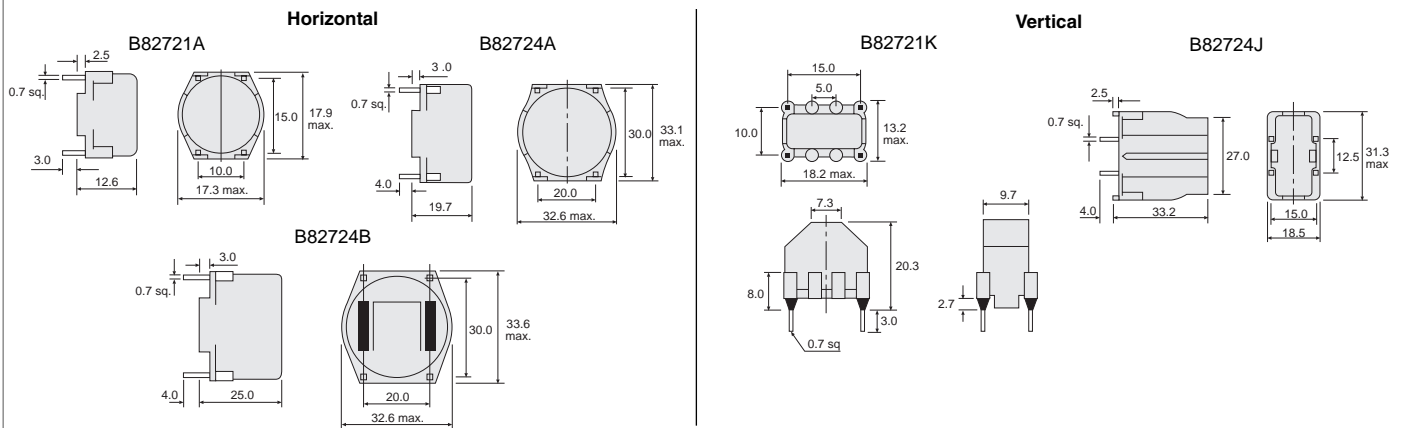
Specification

Rated voltage 250Vac
 Rated current at 50Hz/60°C (see table)
 Inductance tolerance ±30%
 Test voltage 1500Vac, 2 seconds (line/line)

Schematic



Dimensions (mm)



B82721 series

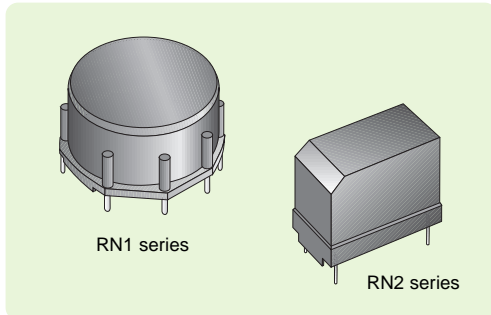
Current Rating (Aac)	Inductance (mH)	DC Resistance typ. (mΩ)	Manf. Part No. & Anglia Order Code	
			Horizontal	Vertical
0.4	39	2000	B82721A2401N20	B82721K2401N20
0.4	27	1700	B82721A2401N21	B82721K2401N21
0.5	18	1500	B82721A2501N1	B82721K2501N1
0.7	10	600	B82721A2701N20	B82721K2701N20
1.2	6.8	280	B82721A2122N20	B82721K2122N20
1.5	3.3	190	B82721A2152N1	B82721K2152N1
2.0	1.0	90	B82721A2202N1	B82721K2202N1
2.6	0.4	60	B82721A2262N1	B82721K2262N1
3.6	0.4	35	B82721A2362N1	B82721K2362N1

B82724 series

Current Rating (Aac)	Inductance (mH)	DC Resistance typ. (mΩ)	Manf. Part No. & Anglia Order Code	
			Horizontal	Vertical
0.5	82	2700	B82724A2501N1	B82724J2501N1
1.0	47	880	B82724B2102N1	-
1.0	33	810	B82724A2102N1	B82724J2102N1
1.4	27	500	B82724A2142N1	B82724J2142N1
2.0	10	230	B82724B2202N1	-
2.0	6.8	190	B82724A2202N1	B82724J2202N1
4.0	3.9	58	B82724B2402N1	-
4.0	3.3	66	B82724A2402N1	B82724J2402N1
6.0	1.8	23	B82724B2602N1	-

SCHAFFNER type RN

A range of current compensated, common mode chokes available in two pcb mounting styles - the horizontal RN1 series, which offers a low profile body, and the vertical RN2 series, which occupies the minimum of board space. Ideal for general purpose common/asymmetrical mode applications. Housings are flame retardant to UL94V-0.

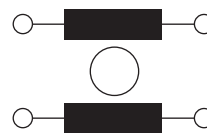


- ◆ Current ratings from **0.3A to 10A**
- ◆ Inductance values from **0.7mH to 100mH**
- ◆ Common mode resonance frequencies from **100kHz to 3MHz**
- ◆ Choice of package style - **horizontal** (RN1 series) or **vertical** (RN2 series)
- ◆ 11 body size options
- ◆ Flame retardant to UL94V-0

Specification

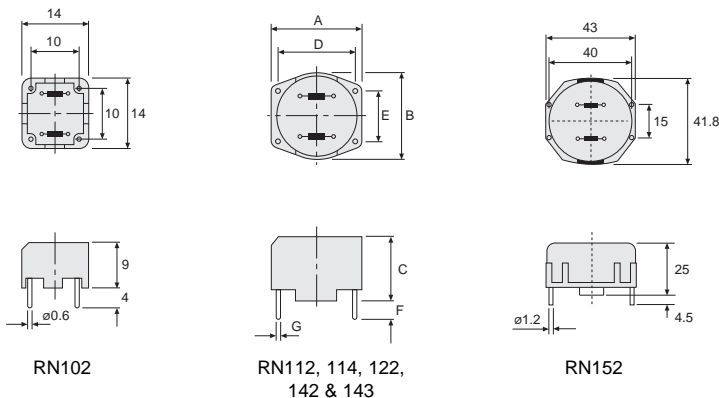
Voltage rating 250Vac at 40°C
 Hipot test (1 min.) 1500Vac winding to winding
 4000Vac winding to housing
 Surge current (10ms) 20 x I_{nom}
 Power operating frequency 0 to 1kHz at 40°C
 Inductance tolerance +50%, -30%
 Resistance tolerance ±15%
 Operating temperature range -40°C to +125°C
 Climatic class (to IEC68) 40/125/56

Schematic



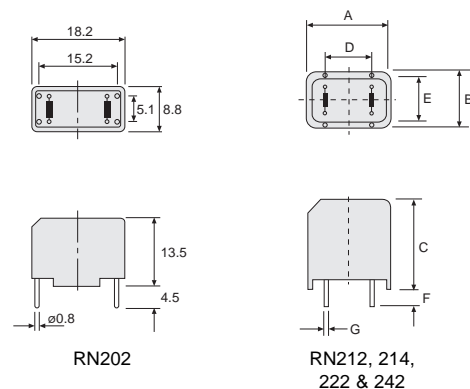
Dimensions (mm)

HORIZONTAL PACKAGE (RN1 series)



	RN112	RN114	RN122	RN142	RN143
A	17.7	22.5	28	33.1	
B	17.1	21.5	27	32.5	
C	12.6	13.2	16.5	19.7	
D	15	20.1	25	30	
E	10	12.5	15	20	
F	4			4.3	
G	ø0.8				

VERTICAL PACKAGE (RN2 series)



	RN212	RN214	RN222	RN242
A	18	23	31	
B	12.5	15.5	18	
C	20	25	29.3	34.3
D	15	10	12.5	
E	10	12.5	15	
F	4			4.2
G	ø0.8			

SCHAFFNER type RN

RN1 series - horizontal package

Nom. Current (Aac) @ 40°C	Inductance (mH/path)	DC Resistance (mΩ/path)	Manf. Part No. & Anglia Order Code
RN102			
0.3	12	1275	<i>RN102-0.3/02</i>
0.6	4.4	385	<i>RN102-0.6/02</i>
1	3	205	<i>RN102-1/02</i>
1.5	1.6	100	<i>RN102-1.5/02</i>
2	1.1	70	<i>RN102-2/02</i>
RN112			
0.4	39	1460	<i>RN112-0.4/02</i>
0.5	27	1250	<i>RN112-0.5/02</i>
0.6	15	465	<i>RN112-0.6/02</i>
0.8	10	370	<i>RN112-0.8/02</i>
1.2	6.8	245	<i>RN112-1.2/02</i>
1.5	3.3	135	<i>RN112-1.5/02</i>
2	1.8	75	<i>RN112-2/02</i>
4	0.7	27	<i>RN112-4/02</i>
RN114			
0.3	47	1750	<i>RN114-0.3/02</i>
0.5	39	810	<i>RN114-0.5/02</i>
0.8	27	500	<i>RN114-0.8/02</i>
1	15	375	<i>RN114-1/02</i>
1.2	10	200	<i>RN114-1.2/02</i>
1.5	6.8	130	<i>RN114-1.5/02</i>
2	4.2	102	<i>RN114-2/02</i>
2.5	3.3	72	<i>RN114-2.5/02</i>
3	2	55	<i>RN114-3/02</i>
4	1.5	35	<i>RN114-4/02</i>
RN122			
0.6	47	1180	<i>RN122-0.6/02</i>
0.8	39	1000	<i>RN122-0.8/02</i>
1	18	610	<i>RN122-1/02</i>
1.5	10	220	<i>RN122-1.5/02</i>
2	6.8	147	<i>RN122-2/02</i>
2.5	5.6	105	<i>RN122-2.5/02</i>
3	4.5	80	<i>RN122-3/02</i>
4	3.3	45	<i>RN122-4/02</i>
RN142			
0.5	82	2700	<i>RN142-0.5/02</i>
1	33	810	<i>RN142-1/02</i>
1.4	27	500	<i>RN142-1.4/02</i>
2	6.8	190	<i>RN142-2/02</i>
4	3.3	66	<i>RN142-4/02</i>
6	1.8	20	<i>RN142-6/02</i>
RN143			
0.5	100	2900	<i>RN143-0.5/02</i>
1	47	880	<i>RN143-1/02</i>
2	10	230	<i>RN143-2/02</i>
4	3.9	58	<i>RN143-4/02</i>
6	1.8	20	<i>RN143-6/02</i>
RN152			
1	68	1300	<i>RN152-1/02</i>
2	18	350	<i>RN152-2/02</i>
4	6.8	87	<i>RN152-4/02</i>
6	3.9	41	<i>RN152-6/02</i>
8	2.7	22	<i>RN152-8/02</i>
10	1.8	14	<i>RN152-10/02</i>

RN2 series - vertical package

Nom. Current (Aac) @ 40°C	Inductance (mH/path)	DC Resistance (mΩ/path)	Manf. Part No. & Anglia Order Code
RN202			
0.3	12	1275	<i>RN202-0.3/02</i>
0.6	4.4	385	<i>RN202-0.6/02</i>
1	3	205	<i>RN202-1/02</i>
1.5	1.6	100	<i>RN202-1.5/02</i>
2	1.1	70	<i>RN202-2/02</i>
RN212			
0.4	39	1460	<i>RN212-0.4/02</i>
0.5	27	1250	<i>RN212-0.5/02</i>
0.6	15	465	<i>RN212-0.6/02</i>
0.8	10	370	<i>RN212-0.8/02</i>
1.2	6.8	245	<i>RN212-1.2/02</i>
1.5	3.3	135	<i>RN212-1.5/02</i>
2	1.8	75	<i>RN212-2/02</i>
4	0.7	27	<i>RN212-4/02</i>
RN214			
0.3	47	1750	<i>RN214-0.3/02</i>
0.5	39	810	<i>RN214-0.5/02</i>
0.8	27	500	<i>RN214-0.8/02</i>
1	15	375	<i>RN214-1/02</i>
1.2	10	200	<i>RN214-1.2/02</i>
1.5	6.8	130	<i>RN214-1.5/02</i>
2	4.2	102	<i>RN214-2/02</i>
2.5	3.3	72	<i>RN214-2.5/02</i>
3	2	55	<i>RN214-3/02</i>
4	1.5	35	<i>RN214-4/02</i>
RN222			
0.6	47	1180	<i>RN222-0.6/02</i>
0.8	39	1000	<i>RN222-0.8/02</i>
1	18	610	<i>RN222-1/02</i>
1.5	10	220	<i>RN222-1.5/02</i>
2	6.8	147	<i>RN222-2/02</i>
2.5	5.6	105	<i>RN222-2.5/02</i>
3	4.5	80	<i>RN222-3/02</i>
4	3.3	45	<i>RN222-4/02</i>
RN242			
0.5	82	2700	<i>RN242-0.5/02</i>
1	33	810	<i>RN242-1/02</i>
1.4	27	500	<i>RN242-1.4/02</i>
2	6.8	190	<i>RN242-2/02</i>
4	3.3	66	<i>RN242-4/02</i>
6	1.8	20	<i>RN242-6/02</i>

SCHAFFNER

For the very latest information and news on the full range of SCHAFFNER products available from Anglia, visit our website :

www.angliac.com/schaffner

Alternatively, contact our Sales Desk to discuss your specific requirements.