

**Current-Compensated Ring Core Triple Chokes**
**Rated voltage 440/250 Vac**
**Rated current 6 to 25 A**
**Rated inductance 1,3 to 6,0 mH**
**Construction**

- Current-compensated ring core triple choke with ferrite core
- Polycarbonate case
- For trough-hole fixing
- Polyurethane potting
- Sector winding

**Features**

- Case and potting flame-retardant as per UL 94 V-0
- > 1 % stray inductance for symmetrical interference suppression
- High currents

**Applications**

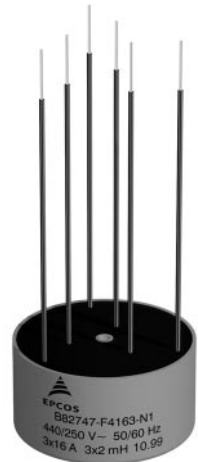
- Switch-mode power supplies for converters, USV
- Power supplies

**Terminals**

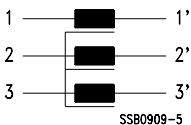
- Unidirectional, tinned leads

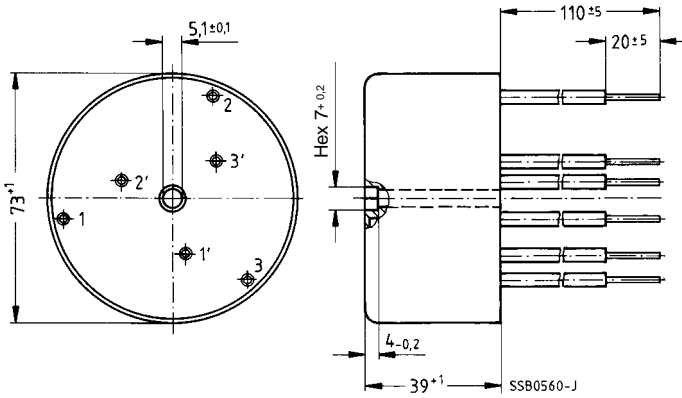
**Marking**

Manufacturer, ordering code, rated current, rated inductance, rated voltage, climatic category, graphic symbol, date of manufacture


**Approbationen**

Approval marks	Standards
	VDE 0565-2 UL 1283



**Circuit diagram**


**Dimensional drawing**

**General technical data**

Test voltage $V_T$	2500 Vac, 2 s (line/line)
Rated current $I_R$	Referred to 50 Hz and 60 °C ambient temperature
Inductance tolerance	± 30 %
$\Delta L/L_0$	< 20 % at dc loading with $I_R$
Weight	Approx. 350 g

For further technical data [see page 334](#)

**Characteristics and ordering codes**

$I_R$ A	$L_R$ mH	$L_S$ , typ $\mu$ H	$R_{typ}$ m $\Omega$	Ordering code	Approval marks	
						
6	6,0	130	50	B82747-F4602-N1	×	×
10	3,0	60	20	B82747-F4103-N1	×	×
16	2,0	40	12	B82747-F4163-N1	×	×
25	1,3	16	7,5	B82747-F4253-N20	—	—

**Impedance  $|Z|$  versus frequency  $f$**   
 (measured with windings in parallel)

