

Rated voltage 42 Vac/80 Vdc

Rated current 100 mA

Rated inductance 2,2 to 38 mH



Construction

- Current-compensated ring core double choke with ferrite core
- Plastic case

Features

- Vertical or horizontal version
- Case flame-retardant as per UL 94 V-0

Applications

- Suppression of asymmetrical interference coupled in on data lines, already effective at 10 kHz, e.g. in
 - telephone lines (analog, ISDN)
 - interfaces with symmetrical data transmission
 - Building services automation (EIB bus)
 - automation engineering

Terminals

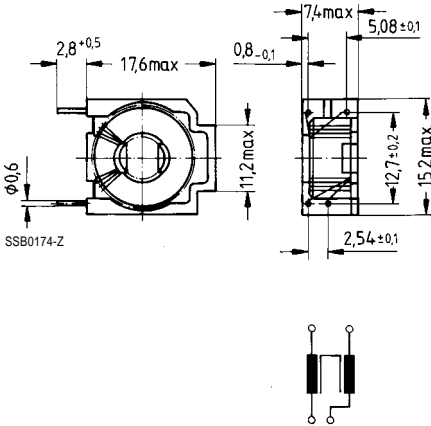
- Pins fitting standard PCB grid

Marking

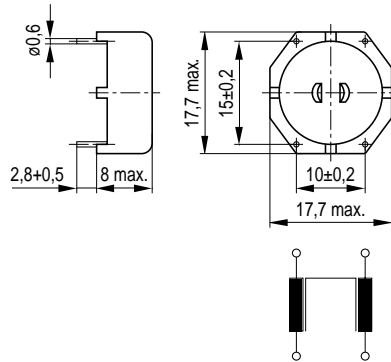
Ordering code, rated inductance, manufacturer, date of manufacture (month, year)

Dimensional drawing
Vertical version

B82791-H15


Horizontal version

B82791-G15



SSB1553-7

General technical data

Rated voltage V_R	42 Vac (50/60 Hz) 80 Vdc
Rated current I_R	Referred to 50 Hz and 60 °C ambient temperature
Rated inductance L_R	Measured with HP 4275A at 10 kHz and 0,1 mA (specified per winding)
Inductance tolerance	± 30 % for H15-A16: - 25/+ 35 %
Inductance decrease $\Delta L/L_0$	< 10 % at dc magnetic bias with I_R
Stray inductance L_S	Measured at 10 kHz and 5 mA
DC resistance R_{typ}	Typical values, measured at 20 °C ambient temperature
Climatic category	40/125/56 (- 40 °C/+ 125 °C/56 days damp heat test) in accordance with IEC 60068-1
Weight	Approx. 4 g

Characteristics and ordering codes

L_R mH	$L_{S, \text{typ}}$ μH	I_R mA	R_{typ} Ω	V_T Vdc, 2 s	Ordering code	
					horizontal version	vertical version
2,2	1,0	100	0,4	1200	B82791-G15-A17	—
4,7	1,5	100	0,9	1200	B82791-G15-A16	B82791-H15-A16
10	2,5	100	1,3	1200	—	B82791-H15-A25
38	3,5	100	3,3	750	B82791-G15-A14	—

**Impedance $|Z|$
versus frequency f**
B82791-
