

Construction

- Current-compensated ring core double choke with ferrite core
- Plastic case

Features

- Case flame-retardant as per UL 94 V-0
- Suitable for automatic insertion
- Pins fitting standard PCB grid

Applications

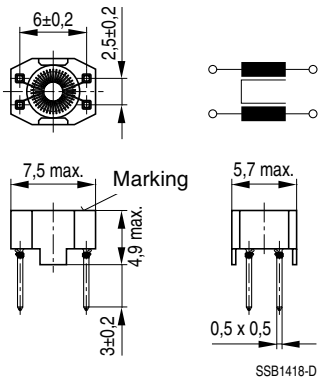
- B82796C:
 - Suppression of asymmetrical interference coupled in on lines, whereas data signals up to some MHz can pass unaffectedly
- B82796S:
 - Suppression of asymmetrical and symmetrical interference coupled in on lines. The high-frequency portions of the symmetrical data signal are decreased so far that EMC problems can be significantly reduced



Marking

Ordering code, manufacturer, date of manufacture (month, year)

Dimensional drawing



General technical data

| | |
|------------------------------------|------------------------------------------------------------------------------------------------------------------------|
| Rated voltage V_R | 42 Vac (50/60 Hz) 80 Vdc |
| Rated current I_R | Referred to 50 Hz and 60 °C ambient temperature |
| Rated inductance L_R | Measured with HP 4275A at $L \leq 1$ mH = 100 kHz, 0,1 mA $L > 1$ mH = 10 kHz, 0,1 mA (specified per winding) |
| Inductance tolerance | B82796+****N201: ± 30 % B82796+****N215/N265: -30 %/+50 % |
| Inductance decrease $\Delta L/L_0$ | < 10 % at dc magnetic bias with I_R |
| Stray inductance L_S | Measured at 100 kHz and 5 mA |
| DC resistance R_{typ} | Typical values, measured at 20 °C ambient temperature |
| Climatic category | 40/125/56 (-40 °C/+125 °C/56 days damp heat test) in accordance with IEC 60068-1 |
| Weight | Approx. 0,25 g |

Characteristics and ordering codes

| L_R mH | L_S, typ nH | $I_R^{1)}$ mA | R_{typ} Ω | V_T Vdc, 2 s | Ordering code |
|-------------|------------------|------------------|-----------------------|-------------------|-----------------|
| 0,005 | 50 | 1200 | 0,075 | 250 | B82796C0502N201 |
| 0,011 | 50 | 800 | 0,120 | 250 | B82796C0113N201 |
| 0,025 | 1500 | 800 | 0,130 | 250 | B82796S0253N201 |
| 0,051 | 2000 | 800 | 0,160 | 250 | B82796S0513N201 |
| 0,470 | 200 | 700 | 0,200 | 750 | B82796C0474N215 |
| 1,0 | 200 | 700 | 0,200 | 750 | B82796C0105N265 |
| 2,2 | 250 | 500 | 0,400 | 750 | B82796C0225N265 |
| 4,7 | 300 | 400 | 0,550 | 750 | B82796C0475N265 |

1) Types with higher rated current upon request.

Herausgegeben von EPCOS AG

Unternehmenskommunikation, Postfach 80 17 09, 81617 München, DEUTSCHLAND

☎ ++49 89 636 09, FAX (0 89) 636-2 26 89

© EPCOS AG 2002. Vervielfältigung, Veröffentlichung, Verbreitung und Verwertung dieser Broschüre und ihres Inhalts ohne ausdrückliche Genehmigung der EPCOS AG nicht gestattet.

Bestellungen unterliegen den vom ZVEI empfohlenen Allgemeinen Lieferbedingungen für Erzeugnisse und Leistungen der Elektroindustrie, soweit nichts anderes vereinbart wird.

Diese Broschüre ersetzt die vorige Ausgabe.

Fragen über Technik, Preise und Liefermöglichkeiten richten Sie bitte an den Ihnen nächstgelegenen Vertrieb der EPCOS AG oder an unsere Vertriebsgesellschaften im Ausland. Bauelemente können aufgrund technischer Erfordernisse Gefahrstoffe enthalten. Auskünfte darüber bitten wir unter Angabe des betreffenden Typs ebenfalls über die zuständige Vertriebsgesellschaft einzuholen.

Published by EPCOS AG

Corporate Communications, P.O. Box 80 17 09, 81617 Munich, GERMANY

☎ ++49 89 636 09, FAX (0 89) 636-2 26 89

© EPCOS AG 2002. Reproduction, publication and dissemination of this brochure and the information contained therein without EPCOS' prior express consent is prohibited.

Purchase orders are subject to the General Conditions for the Supply of Products and Services of the Electrical and Electronics Industry recommended by the ZVEI (German Electrical and Electronic Manufacturers' Association), unless otherwise agreed.

This brochure replaces the previous edition.

For questions on technology, prices and delivery please contact the Sales Offices of EPCOS AG or the international Representatives.

Due to technical requirements components may contain dangerous substances. For information on the type in question please also contact one of our Sales Offices.