

# Dual Low Drop Out Regulator

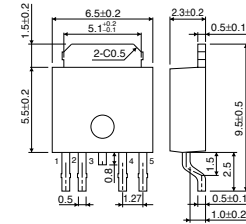
## Ceramic Capacitor Available

# BA3258FP/HFP

● Description

● Dimension (Unit : mm)

**BA3258FP**

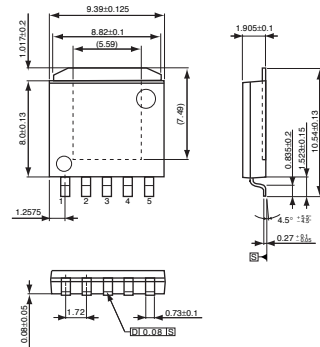


**TO252-5**

● Features

- 1) 3.3V/1A and 1.5V/1A
- 2) Output ceramic capacitor available
- 3) Output voltage accuracy :+/-2%
- 4) Built-in over-current and thermal protection circuit
- 5) TO252-5 package and HRP-5 package

**BA3258HFP**



**HRP-5**

● Applications

HDD/DVD

● Absolute Maximum Ratings (Ta=25°C)

| Parameter                   | Symbol           | Limits     | Unit |
|-----------------------------|------------------|------------|------|
| Power supply voltage        | V <sub>CC</sub>  | 15         | V    |
| Power dissipation           | HRP-5            | 2300       | mW   |
|                             | TO252-5          | 1300       |      |
| Operating temperature range | T <sub>opr</sub> | 0 ~ +85    | °C   |
| Storage temperature range   | T <sub>stg</sub> | -55 ~ +150 | °C   |

\*1 Derating : 18.4mW/°C for operation above Ta=25°C PCB (70mmx70mm, t=1.6mm) glass epoxy mounting.

\*2 Derating : 10.4mW/°C for operation above Ta=25°C PCB (70mmx70mm, t=1.6mm) glass epoxy mounting.

● Recommended Operating Conditions (Ta=25°C)

| Parameter            | Symbol          | Min. | Typ. | Max. | Unit |
|----------------------|-----------------|------|------|------|------|
| Power supply voltage | V <sub>CC</sub> | 4.75 | -    | 14.0 | V    |

● Electrical characteristics (Unless otherwise noted; Ta=25°C, Vcc=5V)

| Parameter           | Symbol    | Min.  | Typ.   | Max.   | Unit | Conditions             |
|---------------------|-----------|-------|--------|--------|------|------------------------|
| Circuit current     | Ib        | -     | 3□     | 5□     | mA   | Io1=0mA, Io2=0mA       |
| Line regulation 1,2 | ΔVLINE1,2 | -     | 5□     | 15□    | mV   | Vcc=4.75 → 14V, Io=5mA |
| Load regulation 1,2 | ΔVLOAD1,2 | -     | 5□     | 20□    | mV   | Io=5mA → 1A            |
| [3.3V output]       |           |       |        |        |      |                        |
| Output voltage      | Vo1       | 3.234 | 3.300□ | 3.366□ | V    | Io1=50mA               |
| Dropout voltage     | ΔVD1      | -     | 1.1□   | 1.3□   | V    | Io1=1A                 |
| Output current      | Io1       | 1.0   | -      | -      | A    |                        |
| [1.5V output]       |           |       |        |        |      |                        |
| Output voltage      | Vo2       | 1.470 | 1.500□ | 1.530□ | V    | Io2=50mA               |
| Output current      | Io2       | 1.0   | -      | -      | A    |                        |

● Application Circuit

