

# Li-SO<sub>2</sub> primary battery system

## BA 5847 B/U

Assembled from 2 LO 26 SX cells connected in series.



### Key features

- A non-replaceable fuse is incorporated in the negative leg.
- A normally closed thermal fuse (TCO) is incorporated in the battery. It is non-replaceable and non-resettable.
- A diode is incorporated to prevent charging or flow of current into the battery.
- A device consisting of a manually activated switch and resistor designed to discharge the battery to 0 V is built into the battery.
- Made in the USA

### Typical applications

- AN/PRM-34 Radio Tests
- AN/PRS-7 Mine Detection
- AN/TS-54 Night Sight

### Electrical Characteristics

Typical OCV (V)	6.0
Nominal voltage (at 500mA) (V)	5.3
Cut-off (V)	4.0
Typical Capacity (Ah) +21 °C / + 70 °F (at 250 mA discharge current)	7.5
Operating temperature	-40° C to 71° C -40° F to 160° F
Storage	Recommended max Possible
	+35°C/ +95°F -40° C to 71° C / -40° F to 160° F

### Physical Characteristics

Typical Weight (g/oz)	240 / 8.47
Weight of Li metal content (g/oz)	4.8 / 0.16
Max. Width (mm/ in)	95/ 3.78
Max. Height (mm/ in)	65 / 2.58
Max. Depth (mm/ in)	38 / 1.53
Battery Case	Plastic

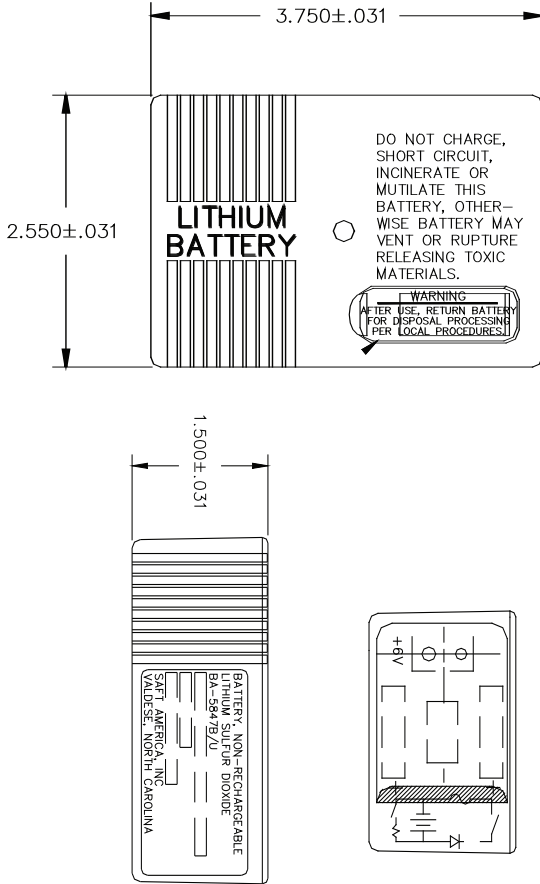
### References

Mating Connector	Keystone Electronics No. 212
Reference specifications	MIL PRF 49471B (CR) or Saft Standard Specifications
NSN Reference	6135-01-090-5364

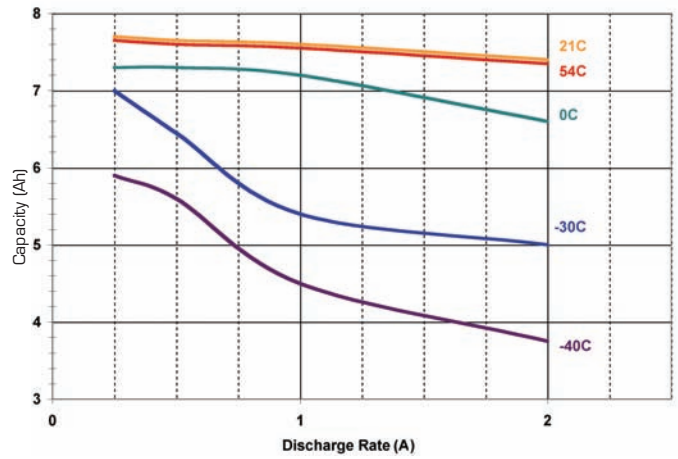


## BA 5847 B/U dimensions

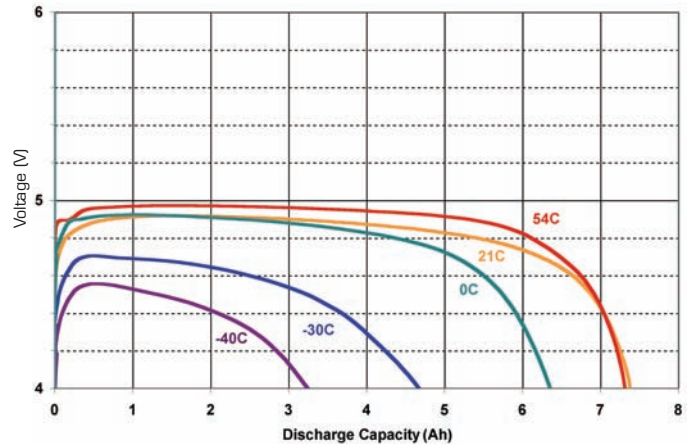
\*All measurements in inches



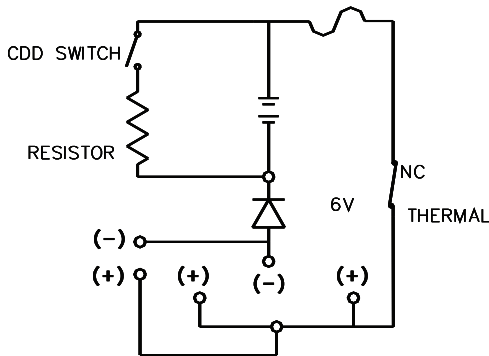
## Capacity vs rate at various temperatures



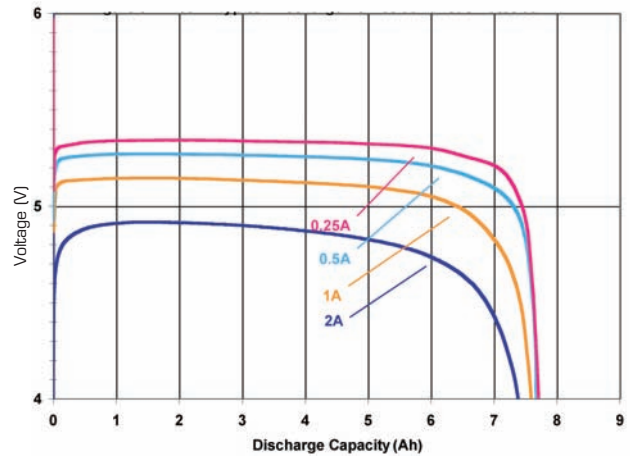
## 2 A discharge typical curves at various temperatures



## Electrical schematic



## Typical discharge curves at various rates at +21°C/+70°F



## Saft Specialty Battery Group

12, rue Sadi Carnot  
93170 Bagnolet - France  
Tel: +33 (0)1 49 93 19 18  
Fax: +33 (0)1 49 93 19 69

313 Crescent Street  
Valdese NC 28690 - USA  
Tel: +1 (828) 874 4111  
Fax: +1 (828) 874 2431

[www.saftbatteries.com](http://www.saftbatteries.com)

Doc N° 31069-2-0306

Data in this document is subject to change without notice and becomes contractual only after written confirmation.

