

Structure : Silicon Monolithic Integrated Circuit  
 Product Name : Power Driver for DVD-RAMs

Device Name : **BA5955FP**

- Features :
- 2-ch current feedback-type BTL driver
  - Use of an HSOP25PIN power package allows downsizing of the set.
  - A wide dynamic range
  - A built-in thermal shutdown circuit installed.
  - The pre stage (PRE part) and the output stage (POW part) are separated to achieve an efficient drive.
  - A built-in standby function installed.

○ ABSOLUTE MAXIMUM RATINGS (Ta=25°C)

Parameter	Symbol	Limits	Unit
Power Supply Voltage	Vcc	18	V
Power Dissipation	Pd	1.45 <sup>*1</sup>	W
Maximum Output Current	Iomax	1 <sup>*2</sup>	A
Operating Temperature Range	Topr	-35 to 85	°C
Storage Temperature Range	Tstg	-55 to 150	°C

\*1 When mounted on the glass/epoxy board with the size: 70 mm×70 mm, the thickness: 1.6 mm, and the rate of copper foil occupancy area: 3% or less.  
 Over Ta=25°C, derating at the rate of 11.6mW/°C.

\*2 The power dissipation should be specified within the ASO range.

○ OPERATING CONDITIONS

Parameter	Symbol	Limits	Unit
Pre-stage Power Supply Voltage	PreVcc	PowVcc+3 to 14	V
Output-stage Power Supply Voltage	PowVcc	4.5 to 11	V

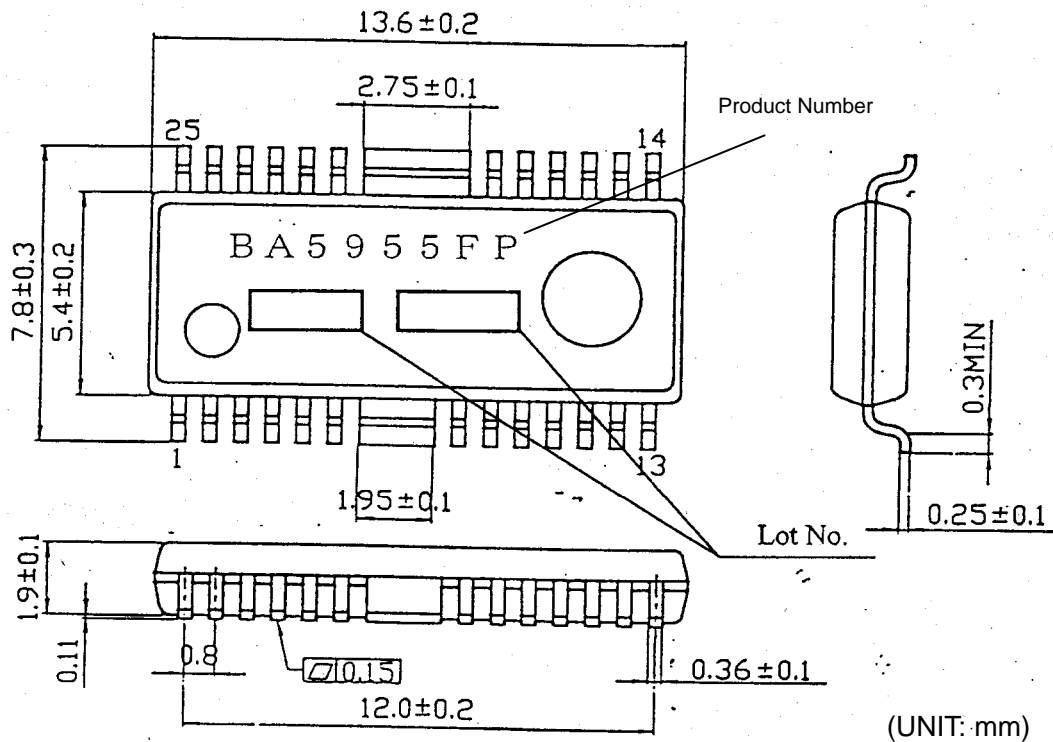
This product has not been checked for the strategic materials (or service) defined in the Foreign Exchange and Foreign Trade Control Law of Japan so that a verification work is required before exporting it.

Not designed for radiation resistance.

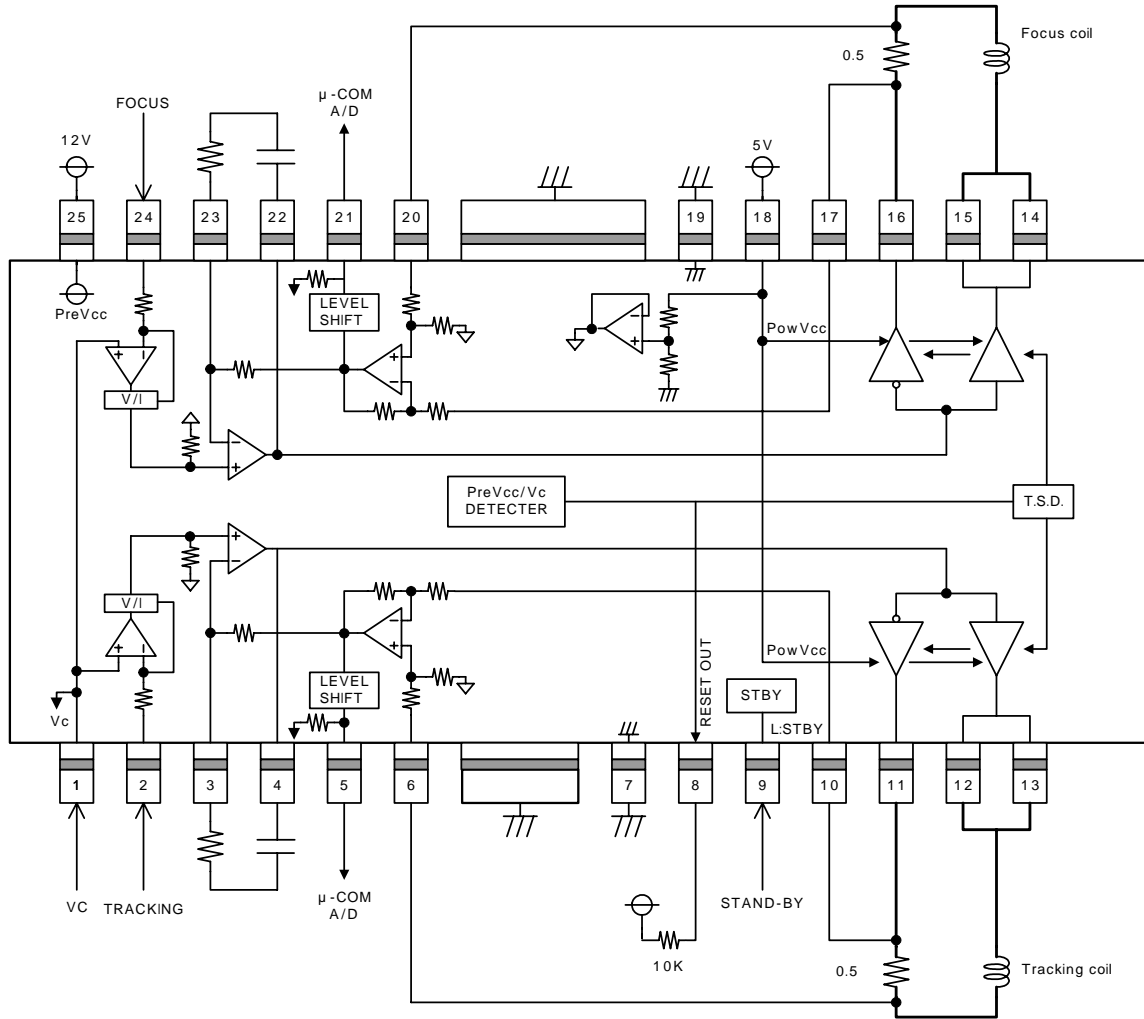
○ ELECTRIC CHARACTERISTICS (Ta=25°C, PreVcc=12V, PowVcc=5V, Vc=2V, RL=6Ω+150uH, Rd=0.5Ω, unless otherwise noted.)

Parameter	Symbol	MIN.	TYP.	MAX.	Unit	Condition
Standby Consumption Current	IST	-	0.1	1	mA	At standby
Quiescent Consumption Current	IQpre	-	21	32	mA	
Output Offset Current	Iof	-6	-	6	mA	
Maximum Output Amplitude 1	VOM1	3.6	3.9	-	V	
Maximum Output Amplitude 2	VOM2	5.8	6.1	-	V	When POWVcc= 8V
Transfer Gain	Gm	0.9	1	1.1	A/V	VIN= ±0.2V
STBY ON Voltage	VSON	-	-	0.5	V	
STBY OFF Voltage	VSOFF	2	-	-	V	
<b>&lt;Current Detection Amplifier&gt;</b>						
Output Voltage (at no signal)	Vodet	1.9	2.0	2.1	V	
Closed Circuit Voltage Gain	Gvdet	5.0	6.0	7.0	dB	
Output Driving Current Sink	ISldet	1.0	-	-	mA	
Output Driving Current Source	ISOdet	1.0	-	-	mA	
Slew Rate	SRdet	-	1	-	V/μs	100KHz square wave 2Vp-p output
Voltage Gain Bandwidth Product	GBW	-	10	-	MHz	
<b>&lt;Reset&gt;</b>						
Output Voltage in non-operation	VRSTOFF	2.8	-	-	V	3.3V PULL UP with 10K attached
Output Voltage in operation	VRSTON	-	-	0.5	V	3.3V PULL UP with 10K attached

○ OUTLINE DIMENSIONS, SYMBOLS



○ APPLICATION CIRCUIT DIAGRAM



T.S.D: (Thermal shutdown)  
Resistance unit: [Ω]

○ PIN Description

No.	Pin Name	Description	No.	Pin Name	Description
1	Vc	Reference input for input signal	25	PreVcc	Pre stage power supply terminal
2	IN1	CH1 input	24	IN2	CH2 input
3	FIL1	Error amp phase compensation external terminal 1	23	FIL2	Error amp phase compensation external terminal 2
4	EOUT1	CH1 error amp output	22	EOUT2	CH2 error amp output
5	DETOUT1	CH1 current detection amp output	21	DETOUT2	CH2 current detection amp output
6	DETIN1P	CH1 current detection amp non-inverted input	20	DETIN2P	CH2 current detection amp non-inverted input
7	GND	Substrate GND			
8	RESET	Reset output	19	GND	Substrate GND
9	STBY	Standby input	18	PowVcc	Output stage power supply terminal
10	DETIN1M	CH1 current detection amp inverted input	17	DETIN2M	CH2 current detection amp inverted input
11	OUT1M	CH1 negative output	16	OUT2M	CH2 negative output
12	OUT1P	CH1 positive output	15	OUT2P	CH2 positive output
13	OUT1P	CH1 positive output	14	OUT2P	CH2 positive output

○ CAUTIONS ON USE

- (1) The BA5955FP incorporates a TSD circuit (overheat protection circuit) and a reset circuit. When the chip temperature has reached 175 (typ.), the output current will be muted while the reset output will become 'L' and, when the chip temperature has dropped to 150 (typ.), the mute function will be reset while the reset output will be 'H.' The reset output also becomes 'L' in the standby state.
- (2) When the power supply voltage (PreVcc) has dropped to 3.8V (typ.) or less, the output current will be muted while the reset output will become 'L' and, when PreVcc has recovered to 4.0V (typ.), the driver part circuit will be initiated to set the reset output to 'H.'
- (3) When the reference input (Vc) voltage has dropped to 0.8V (typ.) or less, the output current will be muted while the reset output will become 'L.'  
Under conditions of normal use, it should be 1.2V (typ.) or above.
- (4) Thermal shutdown or a drop of reference voltage or power supply voltage will activate the mute function, where only the driver part can be muted. While muting, the voltage at the output terminal will equal to the internal reference voltage (approximately  $PowVcc/2$ ).
- (5) Connecting a capacitive load to the OP-AMP output results in a phase margin reduction of the amp and may cause an oscillation or a peak. When connecting a capacitive load, a resistance must be inserted in series between the output and the capacitive load. And after careful consideration of the frequency characteristics, the device should be used within the range where no problem is found in actual use.
- (6) A radiating fin must be connected to the external GND.
- (7) Short-circuits between output pin-VCC, output pin-GND, or output terminals (load short) must be avoided.  
Mounting the ICs in improper directions may damage them or produce smoke.
- (8) About absolute maximum ratings  
Exceeding the absolute maximum ratings, such as the applied voltage or the operating temperature range, may cause permanent device damage. As these cases cannot be limited to the broken short mode or the open mode, if a special mode where the absolute maximum ratings may be exceeded is assumed, it is recommended to take mechanical safety measures such as attaching fuses.
- (9) About power supply lines  
As a measure against the back current regenerated by a counter electromotive force of the motor, a capacitor to be used as a regenerated-current path can be installed between the power supply and GND and its capacitance value should be determined after careful check that any problems, for example, a leak capacitance of the electrolytic capacitor at low temperature, are not found in various characteristics.
- (10) About GND potential  
The electric potential of the GND terminal must be kept lowest in the circuitry at any operation states.
- (11) About thermal design  
With consideration of the power dissipation (Pd) under conditions of actual use, a thermal design provided with an enough margin should be done.
- (12) About operations in a strong electric field  
When used in a strong electric field, note that a malfunction may occur.
- (13) ASO  
When using this IC, the output Tr must be set not to exceed the values specified in the absolute maximum ratings and ASO.
- (14) Thermal shutdown circuit  
This IC incorporates a thermal shutdown circuit (TSD circuit). When the chip temperature reaches the value shown below, the coil output to the motor will be set to open.  
The thermal shutdown circuit is designed only to shut off the IC from a thermal runaway and not intended to protect or guarantee the entire IC functions.  
Therefore, users cannot assume that the TSD circuit once activated can be used continuously in the subsequent operations.

TSD ON Temperature [°C] (typ.)	Hysteresis Temperature [°C] (typ.)
175	25

(15) About earth wiring patterns

When a small signal GND and a large current GND are provided, it is recommended that the large current GND pattern and the small signal GND pattern should be separated and grounded at a single point of the reference point of the set in order to prevent the voltage of the small signal GND from being affected by a voltage change caused by the resistance of the pattern wiring and the large current. Make sure that the GND wiring patterns of the external components will not change, too.

- (16) This IC is a monolithic IC which has a P<sup>+</sup> isolations and P substrate to isolate elements each other. This P layer and an N layer in each element form a PN junction to construct various parasitic elements. Due to the IC structure, the parasitic elements are inevitably created by the potential relationship. Activation of the parasitic elements can cause interference between circuits and may result in a malfunction or, consequently, a fatal damage. Therefore, make sure that the IC must not be used under conditions that may activate the parasitic elements, for example, applying the lower voltage than the ground level (GND, P substrate) to the input terminals. In addition, do not apply the voltage to input terminals without applying the power supply voltage to the IC. Also while applying the power supply voltage, the voltage of each input terminal must not be over the power supply voltage, or within the guaranteed values in the electric characteristics.

<Supplemental Remarks>

Current feedback driver

The transfer gain (output current/input current) can be determined by the following equation:

$$g_m = \frac{1}{2R_d} \text{ (A/V)}$$

R<sub>d</sub> = Resistance for current detection (Ω)

## Appendix

---

### Notes

- No technical content pages of this document may be reproduced in any form or transmitted by any means without prior permission of ROHM CO.,LTD.
- The contents described herein are subject to change without notice. The specifications for the product described in this document are for reference only. Upon actual use, therefore, please request that specifications to be separately delivered.
- Application circuit diagrams and circuit constants contained herein are shown as examples of standard use and operation. Please pay careful attention to the peripheral conditions when designing circuits and deciding upon circuit constants in the set.
- Any data, including, but not limited to application circuit diagrams information, described herein are intended only as illustrations of such devices and not as the specifications for such devices. ROHM CO.,LTD. disclaims any warranty that any use of such devices shall be free from infringement of any third party's intellectual property rights or other proprietary rights, and further, assumes no liability of whatsoever nature in the event of any such infringement, or arising from or connected with or related to the use of such devices.
- Upon the sale of any such devices, other than for buyer's right to use such devices itself, resell or otherwise dispose of the same, no express or implied right or license to practice or commercially exploit any intellectual property rights or other proprietary rights owned or controlled by
- ROHM CO., LTD. is granted to any such buyer.
- Products listed in this document are no antiradiation design.

The products listed in this document are designed to be used with ordinary electronic equipment or devices (such as audio visual equipment, office-automation equipment, communications devices, electrical appliances and electronic toys).

Should you intend to use these products with equipment or devices which require an extremely high level of reliability and the malfunction of which would directly endanger human life (such as medical instruments, transportation equipment, aerospace machinery, nuclear-reactor controllers, fuel controllers and other safety devices), please be sure to consult with our sales representative in advance.

It is our top priority to supply products with the utmost quality and reliability. However, there is always a chance of failure due to unexpected factors. Therefore, please take into account the derating characteristics and allow for sufficient safety features, such as extra margin, anti-flammability, and fail-safe measures when designing in order to prevent possible accidents that may result in bodily harm or fire caused by component failure. ROHM cannot be held responsible for any damages arising from the use of the products under conditions out of the range of the specifications or due to non-compliance with the NOTES specified in this catalog.

Thank you for your accessing to ROHM product informations.

More detail product informations and catalogs are available, please contact your nearest sales office.

**ROHM** Customer Support System

THE AMERICAS / EUROPE / ASIA / JAPAN

[www.rohm.com](http://www.rohm.com)

Contact us : [webmaster@rohm.co.jp](mailto:webmaster@rohm.co.jp)