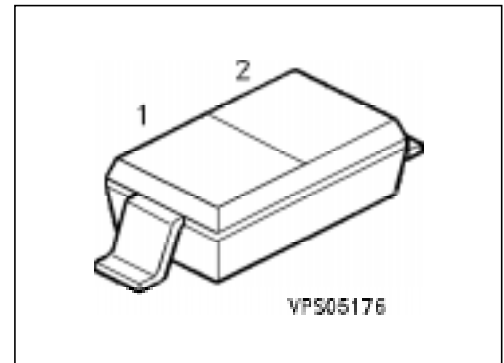


Features

- Current-controlled RF resistor for RF attenuators
- Frequency range 1 MHz ... 2 GHz
- Especially useful as antenna switch in TV-sat tuners



Type	Marking	Ordering Code (tape and reel)	Pin Configuration	Package ¹⁾
BA 595	white R	Q62702-A952		SOD-323

Maximum Ratings

Parameter	Symbol	Values	Unit
Reverse voltage	V_R	50	V
Forward current	I_F	50	mA
Operating temperature range	T_{op}	- 55 ... + 125	°C
Storage temperature range	T_{stg}	- 55 ... + 150	

Thermal Resistance

Junction - ambient	$R_{th JA}$	≤ 450	K/W
--------------------	-------------	-------	-----

¹⁾ For detailed information see chapter Package Outlines.

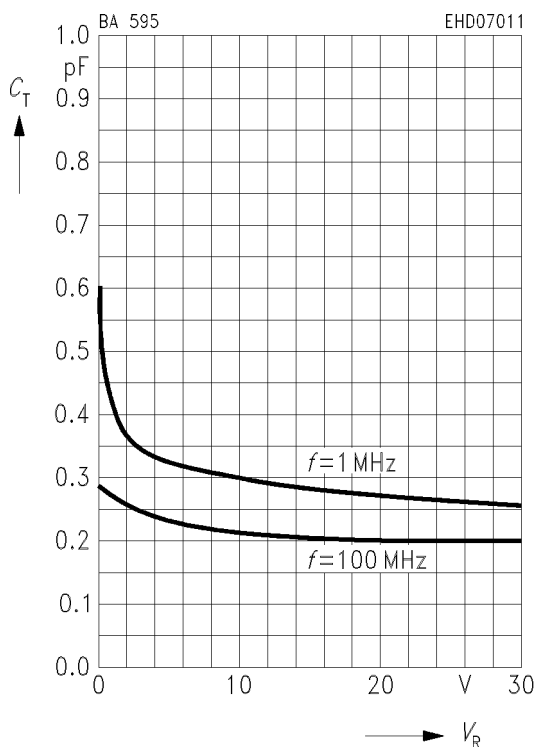
Electrical Characteristics

at $T_A = 25\text{ }^\circ\text{C}$, unless otherwise specified.

Parameter	Symbol	Values			Unit
		min.	typ.	max.	
Forward voltage $I_F = 50\text{ mA}$	V_F	–	–	1.1	V
Reverse current $V_R = 30\text{ V}$	I_R	–	–	20	nA
Diode capacitance $V_R = 10\text{ V}, f = 1\text{ MHz}$ $V_R = 0\text{ V}, f = 100\text{ MHz}$	C_T	– –	0.26 0.22	0.6 0.4	pF
Forward resistance $f = 100\text{ MHz}$ $I_F = 1.5\text{ mA}$ $I_F = 10\text{ mA}$	r_f	– –	21 4.5	40 7	Ω
Zero bias conductance $V_R = 0\text{ V}, f = 100\text{ MHz}$	g_p	–	55	–	μS
Series inductance	L_s	–	2	–	nH

Diode capacitance $C_T = f(V_R)$

$f = 1\text{ MHz}, f = 100\text{ MHz}$



Forward resistance $r_f = f(I_F)$

$f = 100\text{ MHz}$

