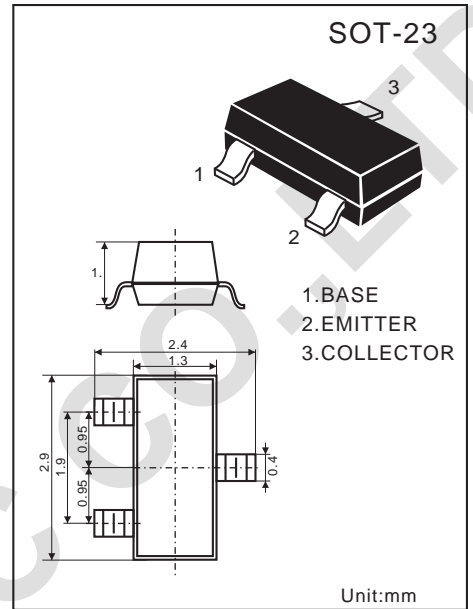
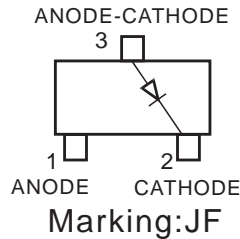


## SWITCHING DIODE

### Features

- Power dissipation  
 $P_D : 350 \text{ mW}$  ( $T_{amb}=25^\circ \text{C}$ )
- Pluse Drain  
 $I_F : 100 \text{ mA}$
- Reverse Voltage  
 $V_R : 70 \text{ V}$
- Operating and storage junction temperature range  
 $T_j, T_{stg} : -55^\circ \text{C}$  to  $+150^\circ \text{C}$



### Electro-Optical Characteristics

( $T_a=25^\circ \text{C}$ )

Parameter	Symbol	Test Condition	MIN.	MAX.	Unit
Reverse breakdown voltage	$V_{(BR)}$	$I_R=100\mu\text{A}$	70		V
Reverse Voltage leakage current	$I_R$	$V_R=70\text{V}$		2.5	$\mu\text{A}$
Forward Voltage	$V_F$	$I_F=1\text{mA}$ $I_F=10\text{mA}$ $I_F=50\text{mA}$ $I_F=150\text{mA}$		715 855 1000 1250	mV
Diode Capacitance	$C_D$	$V_R=0\text{V}$ $f=1\text{MHz}$		1.5	pF
Reverse Recovery Time	$t_{rr}$			6	nS

## Typical Characteristics

