



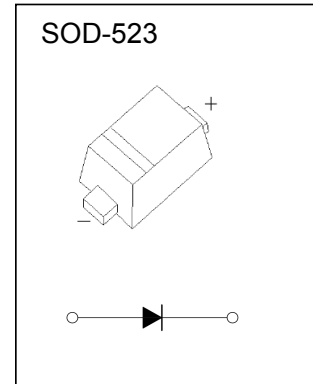
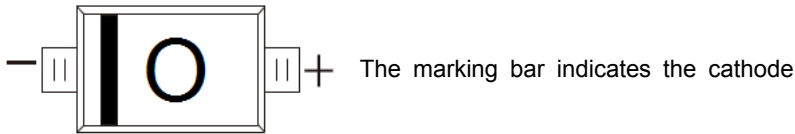
SOD-523 Plastic-Encapsulate Diodes

65F* (!\$&J GENERAL PURPOSE PIN DIODES

: 95HI F9`

- Low diode capacitance
- Low diode forward resistance

A5F?-B;`



AU ja i a `FUhb[g`UbX`9`Ywf]WU`7\ UfUWYf]gh]VgZ]G]b[`Y`8]cXY4 HU1 &) °C

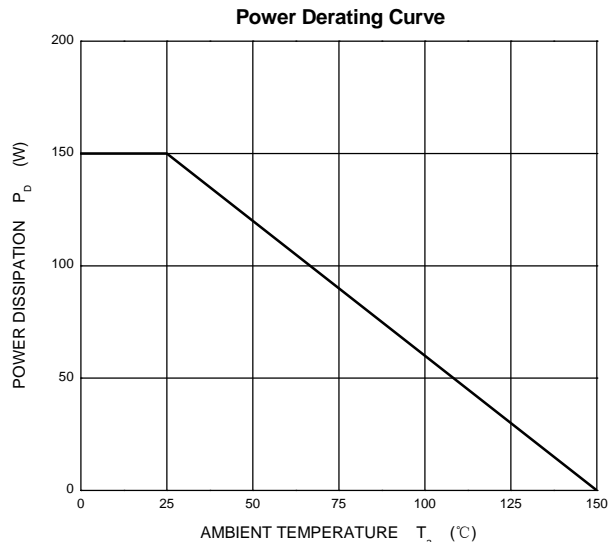
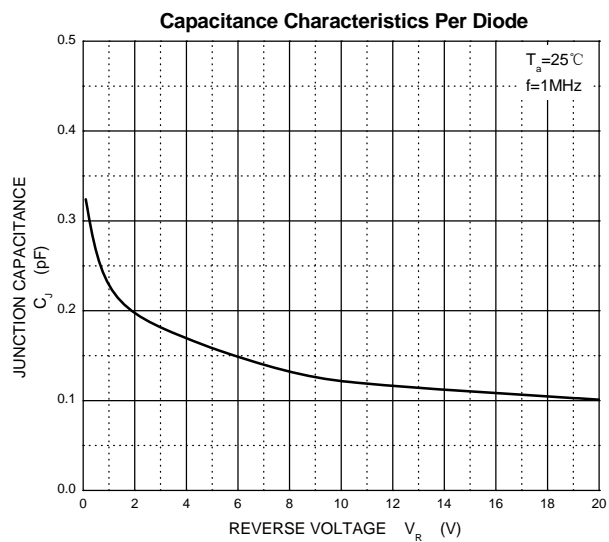
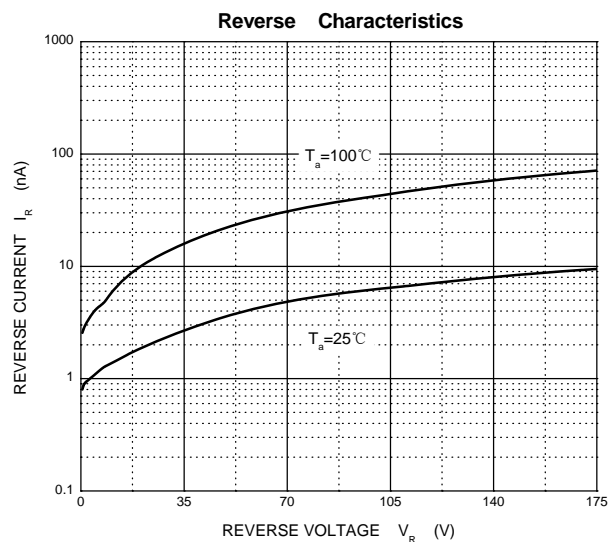
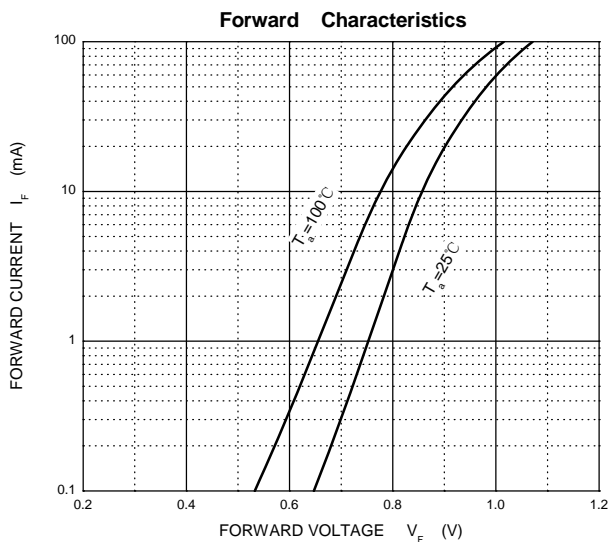
| DUFUa Yhf` | Gna Vc` | @a]h | I b]h |
|--|-----------------|----------|-------|
| 7 cb]bi ci g`FYj YfgY`Jc`HU Y | V_R | 150 | V |
| 7 cb]bi ci g` : cfk UfX`7i ffYbh | I_F | 100 | mA |
| Dck Yf`8]gg]dU]cb` | P_D | 150 | mW |
| H Yfa U`FYg]gh]UbW`Zca `>i bW]cb`hc` Gc`XYf]b[`Dc]bh | $R_{\theta JS}$ | 85 | °C/W |
| >i bW]cb`HYa dYfU] fY` | T_j | -55~+150 | °C |
| GrcfU]`YHYa dYfU] fY` | T_{STG} | -55~+150 | °C |

9`Ywf]WU`FUhb[g`4 HU1 &) °C

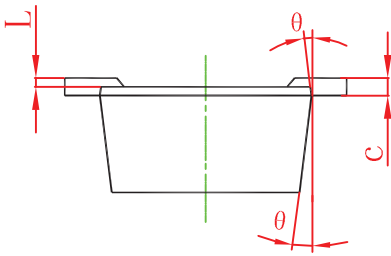
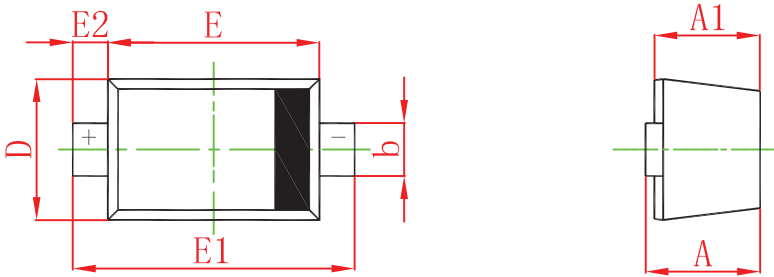
| DUFUa Yhf` | Gna Vc` | A]b | Hnd | AU | I b]h | 7 cbX]h]cb` |
|--------------------------------|----------|-----|------|------|----------|------------------------------|
| 7 cb]bi ci g`fYj YfgY`j c`HU Y | V_R | 150 | | | V | $I_R=10\mu A$ |
| : cfk UfX`j c`HU Y` | V_F | | | 1.1 | V | $I_F=50mA$ |
| FYj YfgY`W ffYbh | I_R | | | 10 | uA | $V_R=150V$ |
| 8]cXY`WUdUW]h]UbW` | C_{d1} | | 0.4* | | pF | $V_R=0V, f=1MHz$ |
| | C_{d2} | | | 0.55 | pF | $V_R=1V, f=1MHz$ |
| | C_{d3} | | | 0.35 | pF | $V_R=5V, f=1MHz$ |
| 8]cXY`Z`fk UfX`fYg]gh]UbW` | r_D | | | 9 | Ω | $I_F=0.5mA, f=100MHz; note1$ |
| | r_D | | | 6.5 | Ω | $I_F=1mA, f=100MHz; note1$ |
| | r_D | | | 2.5 | Ω | $I_F=10mA, f=100MHz; note1$ |

Note 1. Guaranteed on AQL basis: inspection level S4,AQL 1.0.

Typical Characteristics

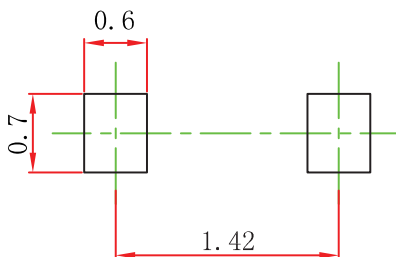


SOD-523 Package Outline Dimensions



| Symbol | Dimensions In Millimeters | | Dimensions In Inches | |
|--------|---------------------------|-------|----------------------|-------|
| | Min | Max | Min | Max |
| A | 0.510 | 0.770 | 0.020 | 0.031 |
| A1 | 0.500 | 0.700 | 0.020 | 0.028 |
| b | 0.250 | 0.350 | 0.010 | 0.014 |
| c | 0.080 | 0.150 | 0.003 | 0.006 |
| D | 0.750 | 0.850 | 0.030 | 0.033 |
| E | 1.100 | 1.300 | 0.043 | 0.051 |
| E1 | 1.500 | 1.700 | 0.059 | 0.067 |
| E2 | 0.200 REF | | 0.008 REF | |
| L | 0.010 | 0.070 | 0.001 | 0.003 |
| θ | 7° REF | | 7° REF | |

SOD-523 Suggested Pad Layout



Note:

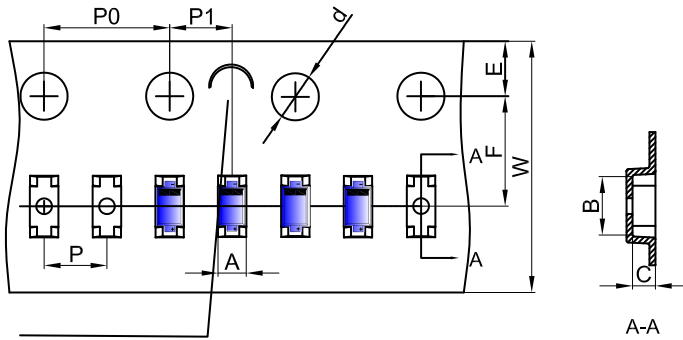
1. Controlling dimension: in millimeters.
2. General tolerance: $\pm 0.05\text{mm}$.
3. The pad layout is for reference purposes only.

NOTICE

JCET reserve the right to make modifications, enhancements, improvements, corrections or other changes without further notice to any product herein. JCET does not assume any liability arising out of the application or use of any product described herein.

SOD-523 Tape and Reel

SOD-523 Embossed Carrier Tape



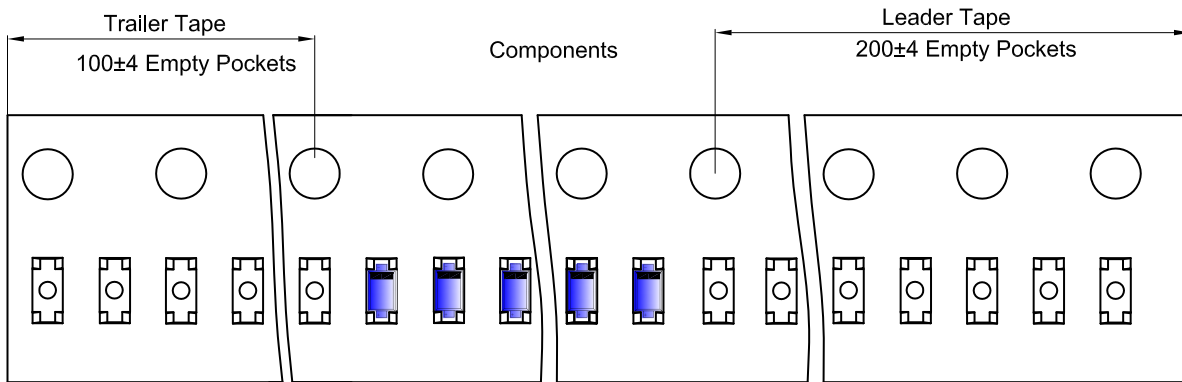
Packaging Description:

SOD-523 parts are shipped in tape. The carrier tape is made from a dissipative (carbon filled) polycarbonate resin. The cover tape is a multilayer film (Heat Activated Adhesive in nature) primarily composed of polyester film, adhesive layer, sealant, and anti-static sprayed agent. These reeled parts in standard option are shipped with 8,000 units per 7" or 17.8cm diameter reel. The reels are clear in color and is made of polystyrene plastic (anti-static coated).

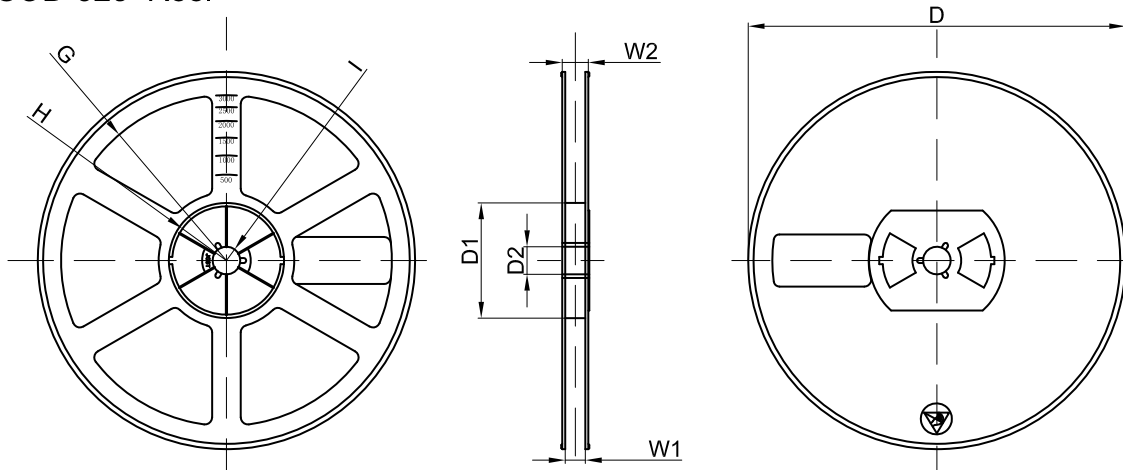
NOTE: TO CAVE 'C' ON CARRIER TAPE PER 120MM

| Dimensions are in millimeter | | | | | | | | | | | |
|------------------------------|-----|------|------|-------|------|------|------|------|------|------|--|
| Pkg type | A | B | C | d | E | F | P0 | P | P1 | W | |
| SOD-523 | 0.9 | 1.94 | 0.73 | Ø1.50 | 1.75 | 3.50 | 4.00 | 2.00 | 2.00 | 8.00 | |

SOD-523 Tape Leader and Trailer



SOD-523 Reel



| Dimensions are in millimeter | | | | | | | | |
|------------------------------|---------|-------|-------|--------|--------|-------|------|-------|
| Reel Option | D | D1 | D2 | G | H | I | W1 | W2 |
| 7" Dia | Ø178.00 | 54.40 | 13.00 | R78.00 | R25.60 | R6.50 | 9.50 | 12.30 |

| REEL | Reel Size | Box | Box Size(mm) | Carton | Carton Size(mm) | G.W.(kg) |
|----------|-----------|-------------|--------------|-------------|-----------------|----------|
| 8000 pcs | 7 inch | 120,000 pcs | 203×203×195 | 480,000 pcs | 438×438×220 | |