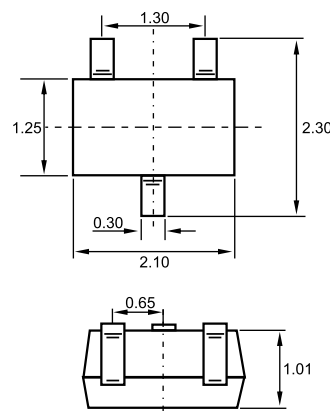
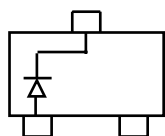


**SOT-323**


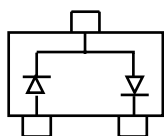
Dimensions in inches and (millimeters)

**Features**

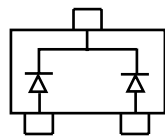
- ◇ Low Turn-on voltage
- ◇ Fast switching
- ◇ Also available in lead free version



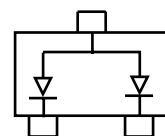
BAS70W Marking: K73



BAS70W-04 Marking: K74



BAS70W-05 Marking: K75



BAS70W-06 Marking: K76

**MAXIMUM RATINGS @ $T_A=25^{\circ}\text{C}$** 

Symbol	Parameter	Value	Units
$V_R$	DC Voltage	70	V
$I_F$	Forward Continuous Current	70	mA
$P_D$	Power dissipation	200	mW
$T_J$	Junction Temperature	125	$^{\circ}\text{C}$
$T_{stg}$	Storage Temperature	-55-150	$^{\circ}\text{C}$

**ELECTRICAL CHARACTERISTICS ( $T_{amb}=25^{\circ}\text{C}$  unless otherwise specified)**

Parameter	Symbol	Test conditions	MIN	MAX	UNIT
Reverse breakdown voltage	$V_{(BR)R}$	$I_R=10\mu\text{A}$	70		V
Reverse voltage leakage current	$I_R$	$V_R=50\text{V}$		100	nA
Forward voltage	$V_F$	$I_F=1\text{mA}$ $I_F=15\text{mA}$		410 1000	mV
Diode capacitance	$C_D$	$V_R=0\text{V}, f=1\text{MHz}$		2	pF
Reveres recovery time	$t_{rr}$	$I_F=I_R=10\text{mA}, I_{rr}=0.1 \times I_R,$ $R_L=100\Omega$		5	nS

## Typical Characteristics

