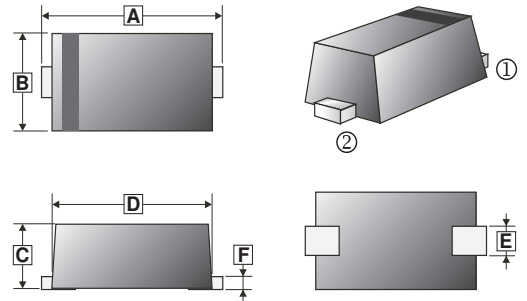


RoHS Compliant Product
A suffix of "-C" specifies halogen & lead-free

FEATURES

- Low Forward Voltage Drop
- Flat Lead SOD-523 Small Outline Plastic Package
- Surface Device Type Mounting
- Green EMC
- Matte Tin(Sn) Lead Finish
- Band Indicates Cathode

SOD-523



MARKING:

7B

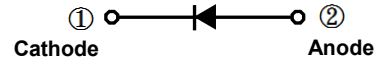
PACKAGE INFORMATION

Package	MPQ	Leader Size
SOD-523	3K	7 inch

REF.	Millimeter		REF.	Millimeter	
	Min.	Max.		Min.	Max.
A	1.50	1.70	D	1.10	1.30
B	0.70	0.90	E	0.25	0.35
C	0.50	0.77	F	0.07	0.20

ORDER INFORMATION

Part Number	Type
BAT43X-C	Lead (Pb)-free and Halogen-free



ABSOLUTE MAXIMUM RATINGS ($T_A=25^\circ\text{C}$ unless otherwise specified)

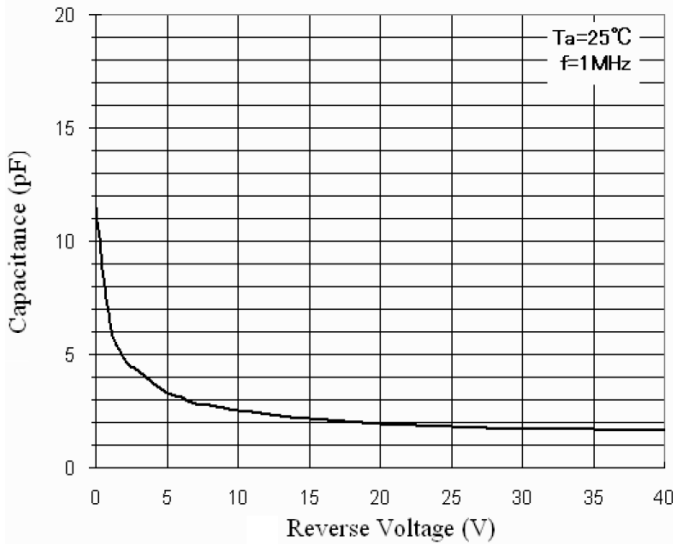
Parameter	Symbol	Rating	Unit
Repetitive Peak Reverse Voltage	V_{RRM}	30	V
Maximum DC Blocking Voltage	V_R	30	V
Average Forward Rectified Current	I_F	200	mA
Peak Forward Surge Current	I_{FSM}	4	A
Power Dissipation	P_D	200	mW
Operating Junction and Storage Temperature Range	T_J, T_{STG}	125, -65~125	$^\circ\text{C}$

ELECTRICAL CHARACTERISTICS ($T_A=25^\circ\text{C}$ unless otherwise specified)

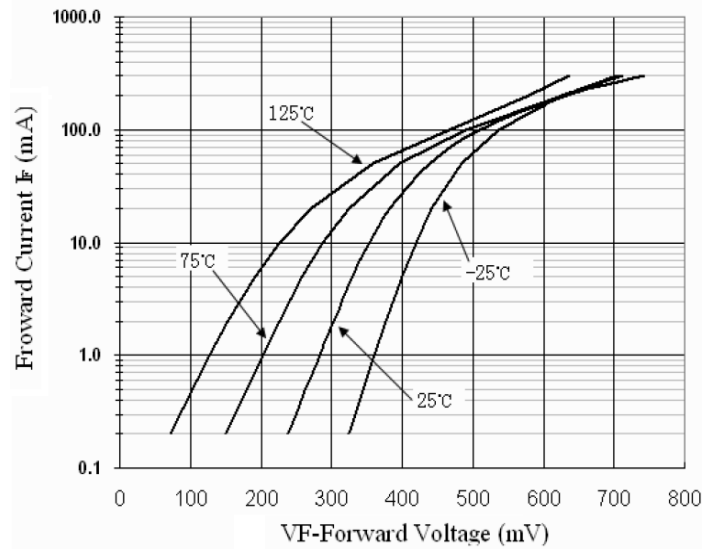
Parameter	Symbol	Min.	Typ.	Max.	Unit	Test Conditions
Forward voltage	V_F	0.26	-	0.33	V	$I_F=2\text{mA}$
		0.26	-	0.45		$I_F=15\text{mA}$
		0.26	-	1		$I_F=200\text{mA}$
Reverse Leakage Current	I_R	-	-	500	nA	$V_R=25\text{V}$
Capacitance	C	-	7	-	pF	$V_R=1\text{V}, f=1\text{MHz}$
Reverse Recovery Time	T_{RR}	-	5	-	nS	$I_F=I_R=10\text{mA}, I_{RR}=1\text{mA}, R_L=100\Omega$

RATINGS AND CHARACTERISTIC CURVES

Total Capacitance



Forward Voltage vs Ambient Temperature



Reverse Current vs Reverse Voltage

