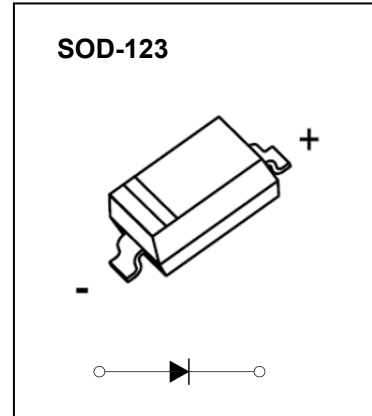


SOD-123 Plastic-Encapsulate Diodes

BA T46W SCHOTTKY BARRIER DIODE

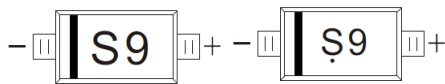
SOD-123



FEATURES

- High breakdown voltage
- Low turn-on voltage
- Guard ring construction for transient protection

MARKING: S9



The marking bar indicates the cathode
Solid dot = Green molding compound device, if none,
the normal device.

Maximum Ratings @T_a=25°C

Parameter	Symbol	Limit	Unit
Peak repetitive peak reverse voltage	V _{RRM}	100	V
Working peak reverse voltage	V _{RWM}		
Forward continuous current	I _F	150	mA
Repetitive peak forward current (Note 1) @ t _p < 1.0s, Duty Cycle < 50%	I _{FRM}	350	mA
Non-repetitive Peak Forward surge current @ t = 8.3ms	I _{FSM}	750	mA
Power dissipation	P _D	500	mW
Thermal resistance junction to ambient air	R _{θJA}	200	°C/W
Junction temperature	T _J	125	°C
Storage temperature	T _{STG}	-55~+150	°C

ELECTRICAL CHARACTERISTICS (T_a=25°C unless otherwise specified)

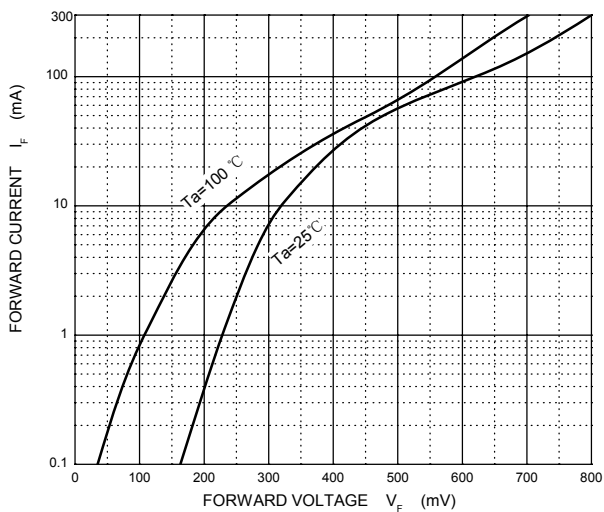
Parameter	Symbol	Test Conditions	Min	Typ	Max	Unit
Reverse breakdown voltage(Note 2)	V _R	I _R = 100μA	100			V
Reverse voltage leakage current	I _R	V _{R1} =1.5V			0.3	μA
		V _{R2} =10V			0.5	
		V _{R3} =50V			1	
		V _{R4} =75V			2	
Forward voltage(Note 2)	V _F	I _{F1} =0.1mA			0.25	V
		I _{F2} =10mA			0.45	
		I _{F3} =250mA			1	
Diode capacitance	C _T	V _R =0, f=1MHz		20		pF
		V _R =1V, f=1MHz		12		

Notes: 1. Part mounted on FR-4 board with recommended pad layout.

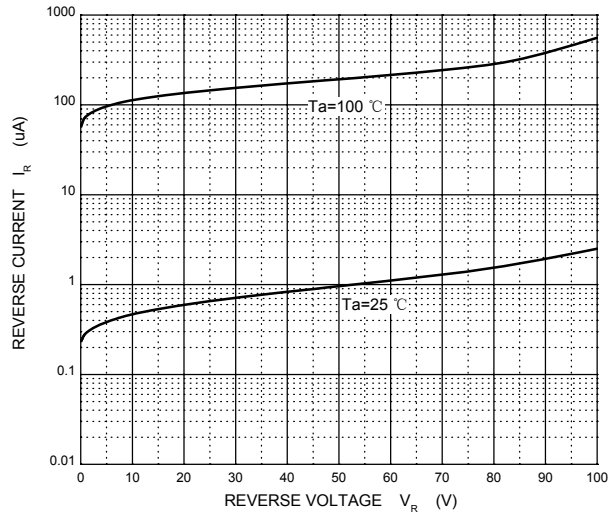
2. Short duration pulse test used to minimize self-heating effect.

Typical Characteristics

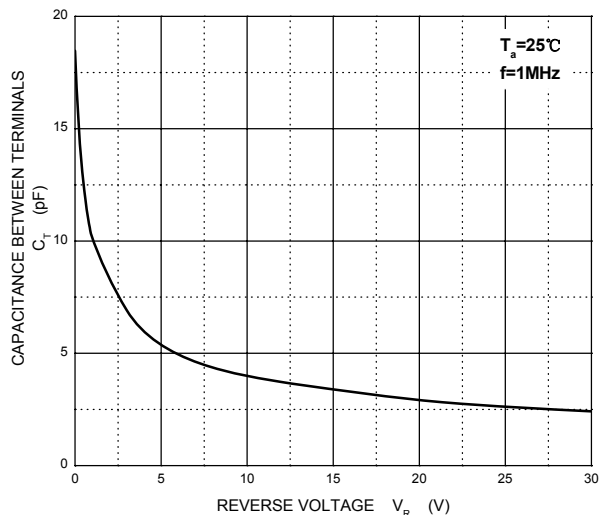
Forward Characteristics



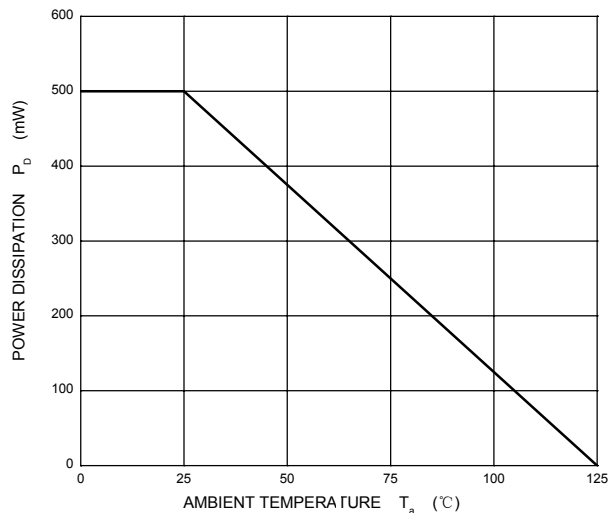
Reverse Characteristics



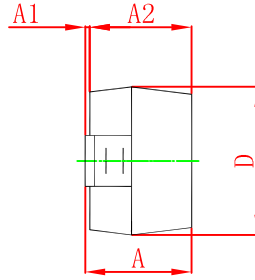
Capacitance Characteristics



Power Derating Curve

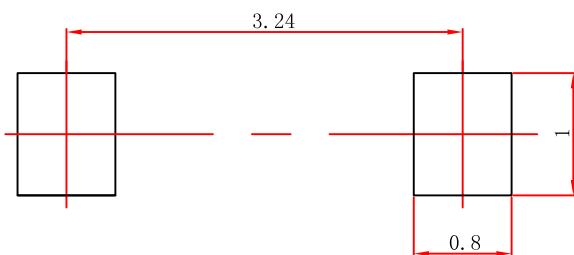


SOD-123 Package Outline Dimensions



Symbol	Dimensions In Millimeters		Dimensions In Inches	
	Min	Max	Min	Max
A	1.050	1.250	0.041	0.049
A1	0.000	0.100	0.000	0.004
A2	1.050	1.150	0.041	0.045
b	0.450	0.650	0.018	0.026
c	0.080	0.150	0.003	0.006
D	1.500	1.700	0.059	0.067
E	2.600	2.800	0.102	0.110
E1	3.550	3.850	0.140	0.152
L	0.500 REF		0.020 REF	
L1	0.250	0.450	0.010	0.018
θ	0°	8°	0°	8°

SOD-123 Suggested Pad Layout



Note:

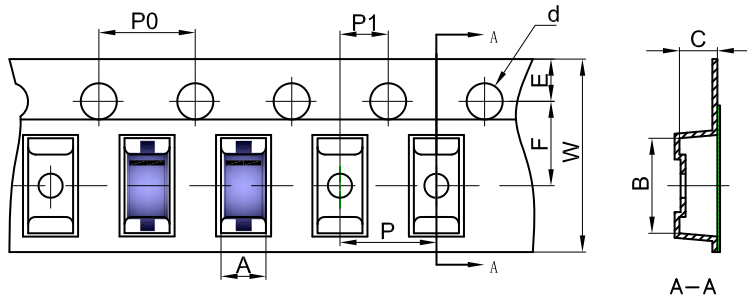
1. Controlling dimension: in millimeters.
2. General tolerance: $\pm 0.05\text{mm}$.
3. The pad layout is for reference purposes only.

NOTICE

JCET reserve the right to make modifications, enhancements, improvements, corrections or other changes without further notice to any product herein. JCET does not assume any liability arising out of the application or use of any product described herein.

SOD-123 Tape and Reel

SOD-123 Embossed Carrier Tape

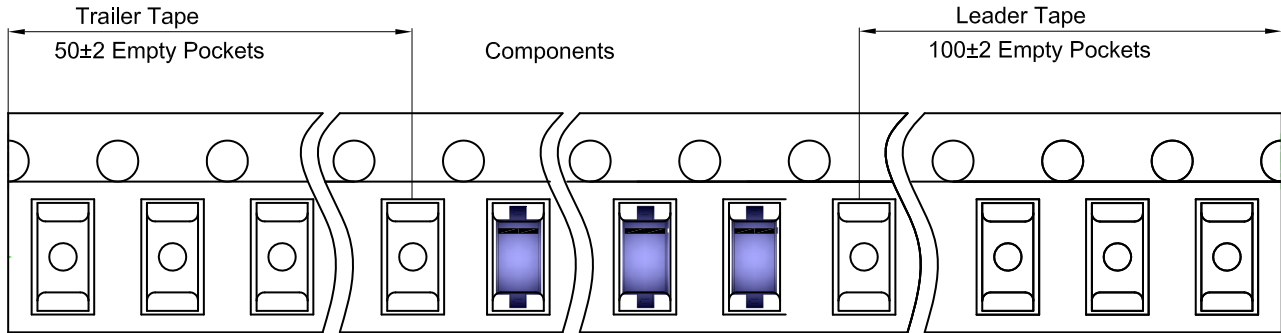


Packaging Description:

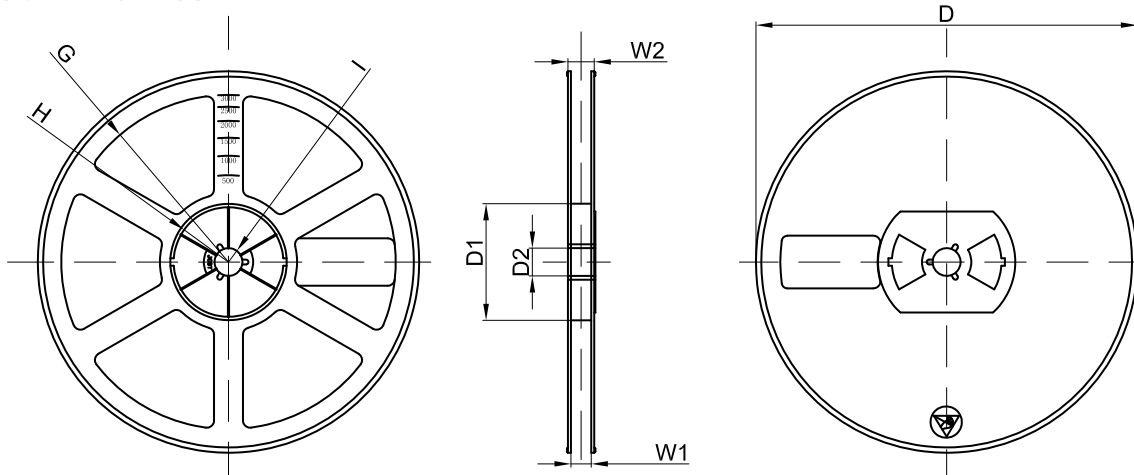
SOD-123 parts are shipped in tape. The carrier tape is made from a dissipative (carbon filled) polycarbonate resin. The cover tape is a multilayer film (Heat Activated Adhesive in nature) primarily composed of polyester film, adhesive layer, sealant, and anti-static sprayed agent. These reeled parts in standard option are shipped with 3,000 units per 7" or 17.8cm diameter reel. The reels are clear in color and is made of polystyrene plastic (anti-static coated).

Dimensions are in millimeter											
Pkg type	A	B	C	d	E	F	P0	P	P1	W	
SOD-123	1.85	3.95	1.57	Ø1.55	1.75	3.50	4.00	4.00	2.00	8.00	

SOD-123 Tape Leader and Trailer



SOD-123 Reel



Dimensions are in millimeter								
Reel Option	D	D1	D2	G	H	I	W1	W2
7" Dia	Ø178.00	54.40	13.00	R78.00	R25.60	R6.50	9.50	12.30

REEL	Reel Size	Box	Box Size(mm)	Carton	Carton Size(mm)	G.W.(kg)
3000 pcs	7 inch	45,000 pcs	203×203×195	180,000 pcs	438×438×220	