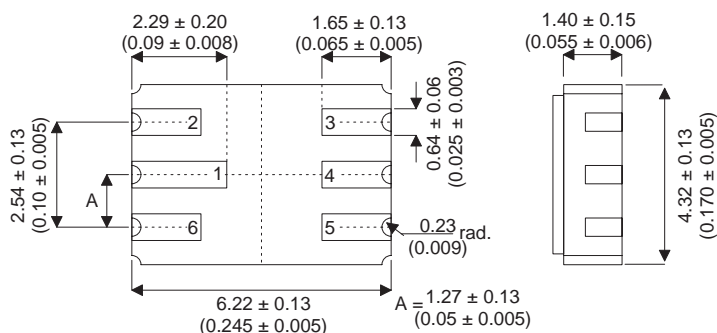


MECHANICAL DATA

Dimensions in mm (inches)



DUAL SCHOTTKY DIODES IN HERMETIC CERAMIC SURFACE MOUNT PACKAGE FOR HIGH RELIABILITY APPLICATIONS

LCC2 PACKAGE (MO-041BB)
Underside View

PAD 1 — Cathode 1 PAD 2 — N/C PAD 3 — N/C
 PAD 4 — Cathode 2 PAD 5 — Anode 2 PAD 6 — Anode 1

ABSOLUTE MAXIMUM RATINGS ($T_{AMB} = 25^{\circ}\text{C}$ unless otherwise stated)

V_R	Reverse Voltage	30V
I_F	Forward Current (Each Diode)	200mA
I_{FM}	Peak Forward Current (Each Diode)	600mA
P_D	Power Dissipation (Each Diode)	200mW
	Derate @ $T_{AMB} > 25^{\circ}\text{C}$	2.0mW/ $^{\circ}\text{C}$
T_J	Maximum Operating Junction Temperature	-55 to +125 $^{\circ}\text{C}$
T_{STG}	Storage Temperature Range	-65 to +175 $^{\circ}\text{C}$

ELECTRICAL CHARACTERISTICS ($T_{AMB} = 25^{\circ}\text{C}$ unless otherwise stated)

Parameter	Test Conditions	Min.	Typ.	Max.	Unit
I_R	$V_R = 25\text{V}$			2	μA
	$V_R = 25\text{V}$ $T_A = 85^{\circ}\text{C}$			100	
V_F	$I_F = 1\text{mA}$			0.32	V
	$I_F = 10\text{mA}$			0.40	
	$I_F = 30\text{mA}$			0.50	
C	$V_R = 1\text{V}$ $f = 1\text{MHz}$			10	pF
t_{rr}	$I_F = 100\text{mA}$ to $I_R = 10\text{mA}$ $R_L = 100\Omega$			5	ns

Semelab Plc reserves the right to change test conditions, parameter limits and package dimensions without notice. Information furnished by Semelab is believed to be both accurate and reliable at the time of going to press. However Semelab assumes no responsibility for any errors or omissions discovered in its use. Semelab encourages customers to verify that datasheets are current before placing orders.