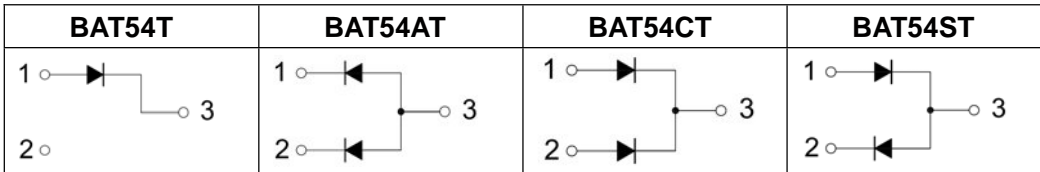
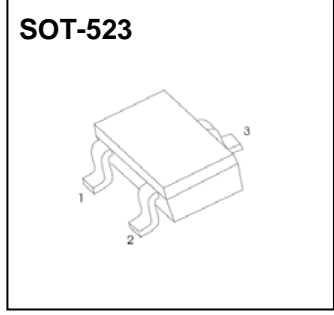


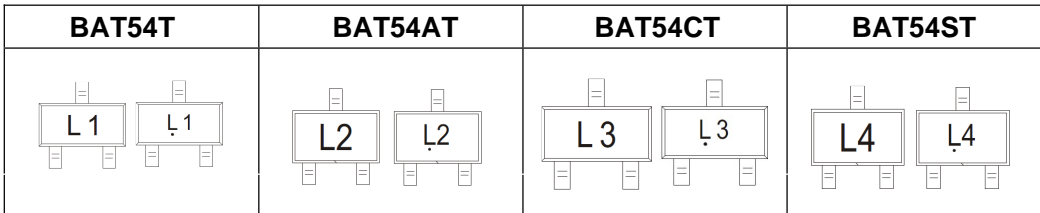
SCHOTTKY BARRIER DIODE

FEATURES

- Low Forward Voltage Drop
- Fast Switching
- PN Junction Guard Ring for Transient and ESD Protection



MARKING:



Solid dot = Green molding compound device

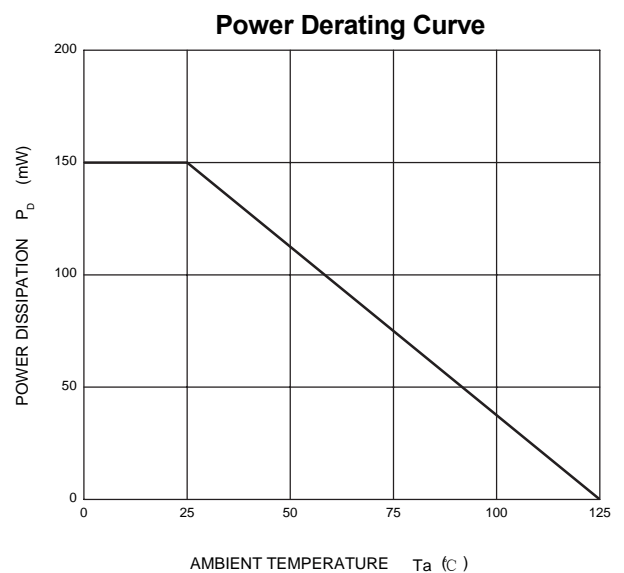
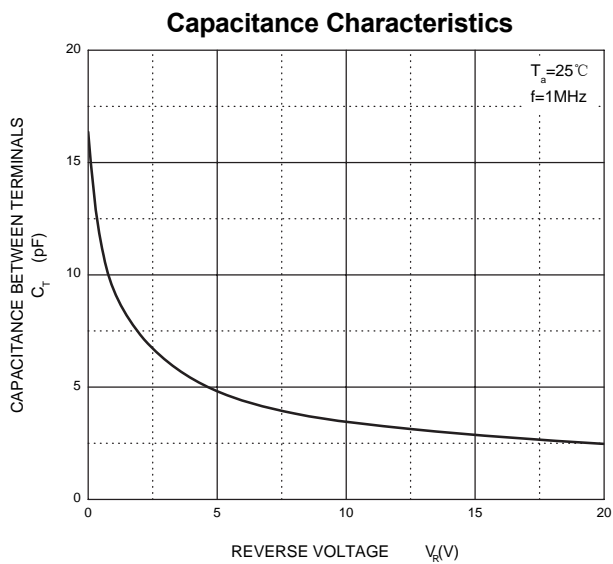
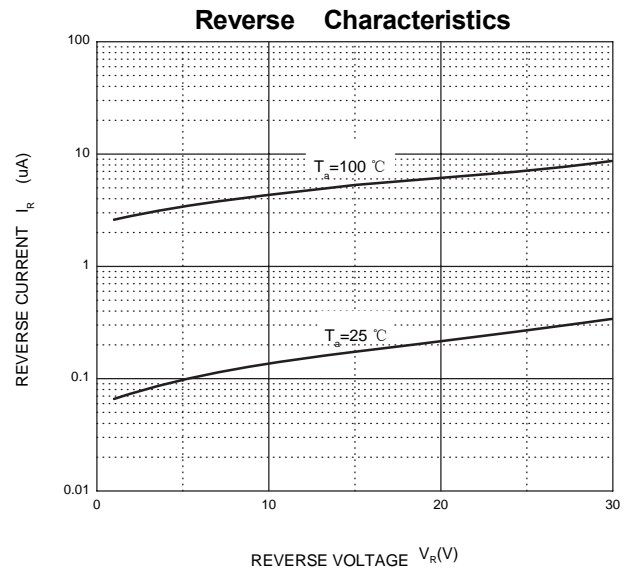
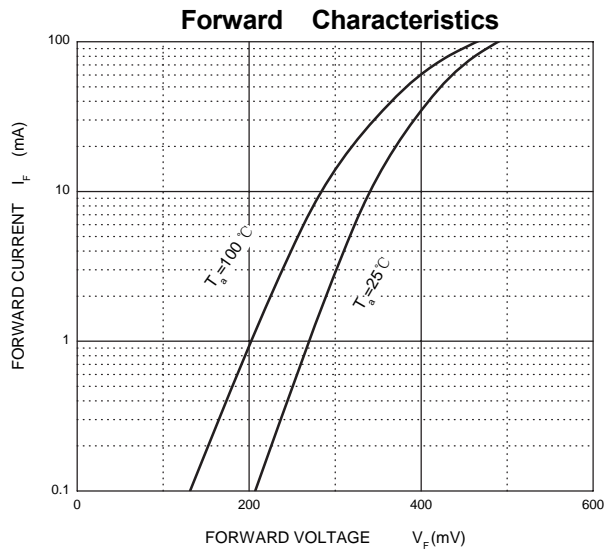
MAXIMUM RATINGS (T_a=25°C unless otherwise noted)

Symbol	Parameter	Value	Unit
V _{RRM}	Peak Repetitive Reverse Voltage	30	V
V _{RWM}	Working Peak Reverse Voltage		
V _{R(RMS)}	RMS Reverse Voltage	21	V
I _O	Average Rectified Output Current	0.2	A
I _{FSM}	Non-repetitive Peak Forward Surge Current @ t=8.3ms	600	mA
I _{FRM}	Repetitive Peak Forward Surge Current @ t≤1s; δ ≤0.5	300	mA
I ² T	Typical Current Squared Time	0.15	A ² s
P _D	Power Dissipation	150	mW
R _{θJCJA}	Thermal Resistance from Junction to Ambient	667	°C/W
T _j	Junction Temperature	125	°C
T _{stg}	Storage Temperature	-55~ +150	°C

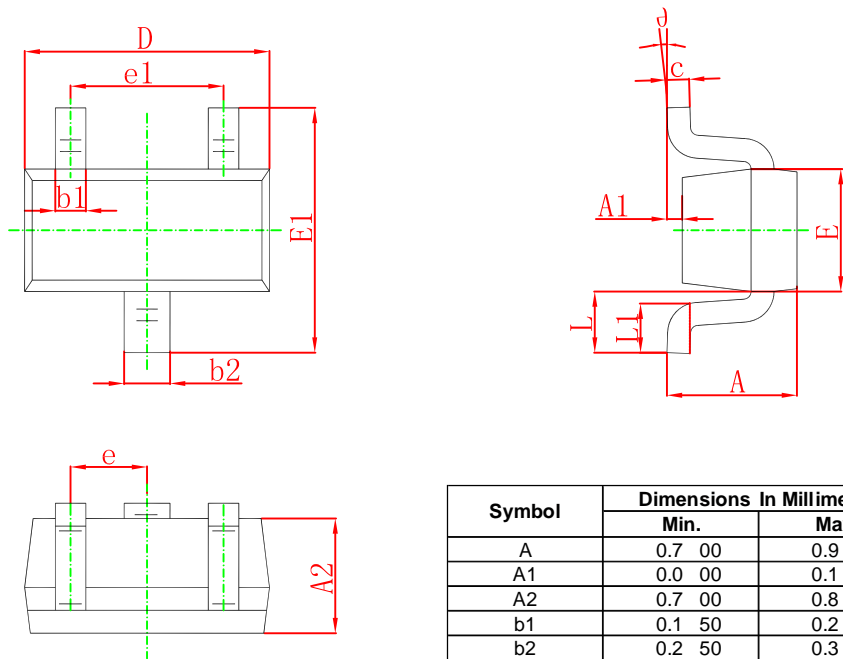
ELECTRICAL CHARACTERISTICS(T_a=25°C unless otherwise specified)

Parameter	Symbol	Test conditions	Min	Typ	Max	Unit
Reverse voltage	V _(BR)	I _R =100uA	30			V
Reverse current	I _R	V _R =25V			2	uA
Forward voltage	V _F	I _F =1mA			0.32	V
		I _F =10mA			0.4	
		I _F =30mA			0.5	
		I _F =100mA			1	
Total capacitance	C _{tot}	V _R =1V,f=1MHz			10	pF
Reverse recovery time	t _{rr}	I _F = I _R =10mA, I _{rr} =0.1×I _R , R _L =100!&			5	ns

RATING AND CHARACTERISTIC CURVES (BAT54T/AT/CT/ST)

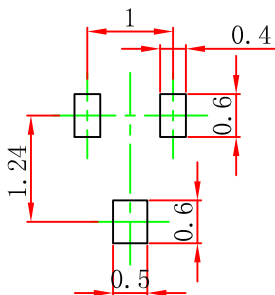


SOT-523 Package Outline Dimensions



Symbol	Dimensions In Millimeters		Dimensions In Inches	
	Min.	Max.	Min.	Max.
A	0.7 00	0.9 00	0.0 28	0.035
A1	0.0 00	0.1 00	0.0 00	0.004
A2	0.7 00	0.8 00	0.0 28	0.031
b1	0.1 50	0.2 50	0.0 06	0.010
b2	0.2 50	0.3 50	0.0 10	0.014
c	0.1 00	0.2 00	0.0 04	0.008
D	1.5 00	1.7 00	0.0 59	0.067
E	0.7 00	0.9 00	0.0 28	0.035
E1	1.4 50	1.7 50	0.0 57	0.069
e	0.5 00 TYP.		0.0 20 TYP.	
e1	0.9 00	1.1 00	0.0 35	0.043
L	0.4 00 REF.		0.0 16 REF.	
L1	0.2 60	0.4 60	0.0 10	0.018
a	0°	8°	0°	8°

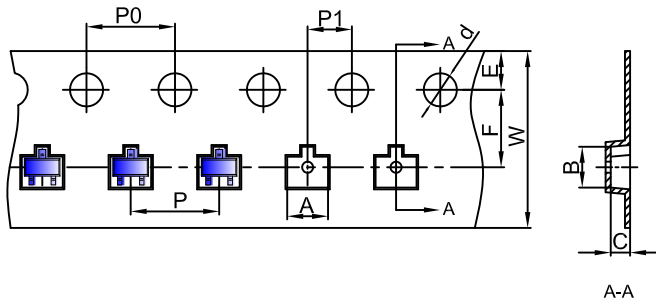
SOT-523 Suggested Pad Layout



- Note:
1. Controlling dimension: in millimeters.
 2. General tolerance: $\pm 0.05\text{mm}$.
 3. The pad layout is for reference purposes only.

SOT-523 Tape and Reel

SOT-523 Embossed Carrier Tape



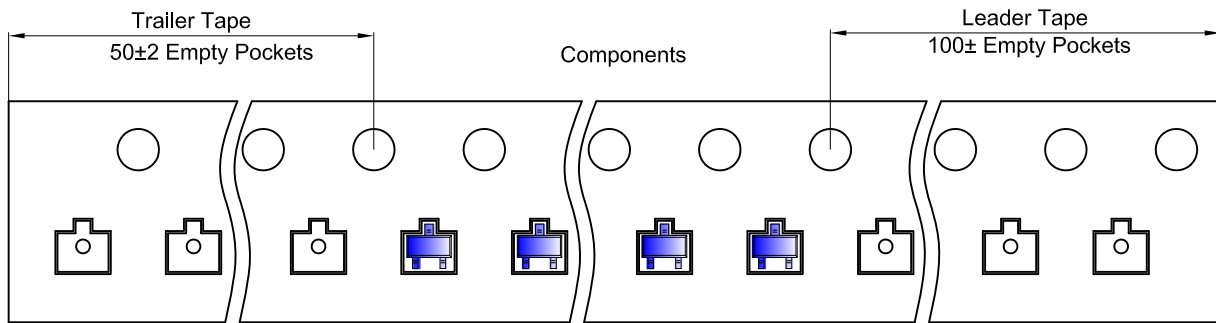
Packaging Description:

SOT-523 parts are shipped in tape. The carrier tape is made from a dissipative (carbon filled) polycarbonate resin. The cover tape is a multilayer film (Heat Activated Adhesive in nature) primarily composed of polyester film, adhesive layer, sealant, and anti-static sprayed agent. These reeled parts in standard option are shipped with 3,000 units per 7" or 17.8cm diameter reel. The reels are clear in color and is made of polystyrene plastic (anti-static coated).

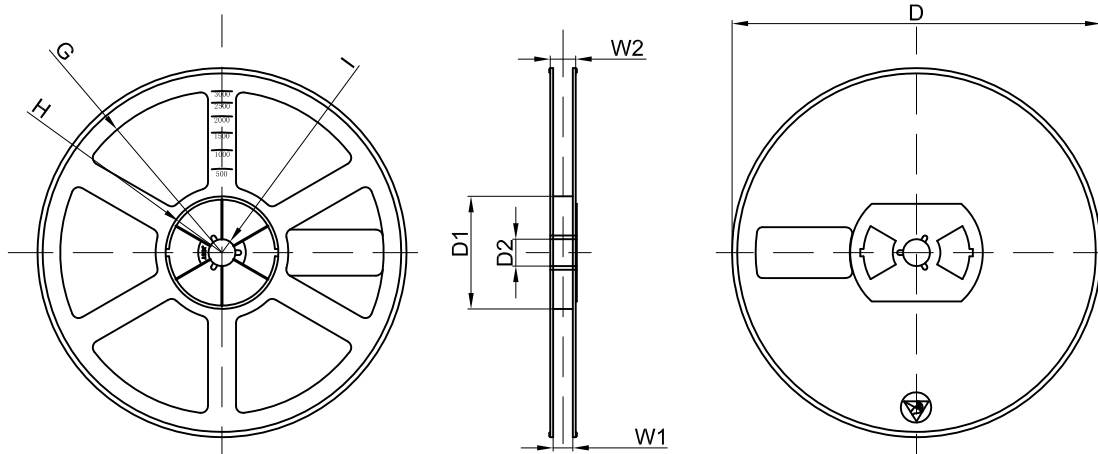
Dimensions are in millimeter

Pkg type	A	B	C	d	E	F	P0	P	P1	W
SOT-523	1.85	1.85	0.875	Ø1.50	1.75	3.50	4.00	4.00	2.00	8.00

SOT-523 Tape Leader and Trailer



SOT-523 Reel



Dimensions are in millimeter

Reel Option	D	D1	D2	G	H	I	W1	W2
7" Dia	Ø178.00	54.40	13.00	R78.00	R25.60	R6.50	9.50	12.30

REEL	Reel Size	Box	Box Size(mm)	Carton	Carton Size(mm)	G.W.(kg)
3000 pcs	7 inch	45,000 pcs	203×203×195	180,000 pcs	438×438×220	

DISCLAIMER NOTICE

Rectron Inc reserves the right to make changes without notice to any product specification herein, to make corrections, modifications, enhancements or other changes. Rectron Inc or anyone on its behalf assumes no responsibility or liability for any errors or inaccuracies. Data sheet specifications and its information contained are intended to provide a product description only. "Typical" parameters which may be included on RECTRON data sheets and/ or specifications can and do vary in different applications and actual performance may vary over time. Rectron Inc does not assume any liability arising out of the application or use of any product or circuit.

Rectron products are not designed, intended or authorized for use in medical, life-saving implant or other applications intended for life-sustaining or other related applications where a failure or malfunction of component or circuitry may directly or indirectly cause injury or threaten a life without expressed written approval of Rectron Inc. Customers using or selling Rectron components for use in such applications do so at their own risk and shall agree to fully indemnify Rectron Inc and its subsidiaries harmless against all claims, damages and expenditures.