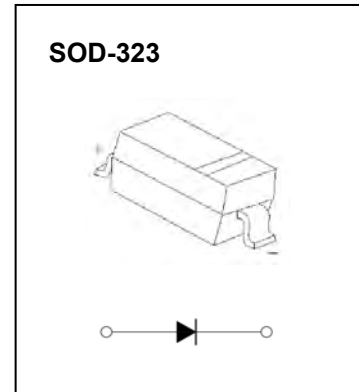




SOD-323 Plastic-Encapsulate Diodes

FAST SWITCHING DIODE FEATURES

- Fast Switching Speed
- Surface Mount Package Ideally Suited for Automatic Insertion
- For General Purpose Switching Applications
- **Pb-Free package is available**
RoHS product for packing code suffix "G"
Halogen free product for packing code suffix "H"
- **Moisture Sensitivity Level 1**



Polarity: Color band denotes cathode end

MARKING: BAV19WS: A8
BAV20WS: T2
BAV21WS: T3

Maximum Ratings and Electrical Characteristics, Single Diode @Ta=25°C

Parameter	Symbol	BAV19WS	BAV20WS	BAV21WS	Unit
Non-Repetitive Peak Reverse Voltage	V_{RM}	120	200	250	V
Peak Repetitive Peak Reverse Voltage	V_{RRM}				
Working Peak Reverse Voltage	V_{RWM}	100	150	250	V
DC Blocking Voltage	V_R				
RMS Reverse Voltage	$V_{R(RMS)}$	71	106	141	V
Forward Continuous Current	I_{FM}	400			mA
Average Rectified Output Current	I_O	200			mA
Peak Forward Surge Current @t=1.0ms @ t=1.0s	I_{FSM}	2.5 0.5			A
Repetitive Peak Forward Current	I_{FRM}	625			mA
Power Dissipation	P_d	250			mW
Thermal Resistance Junction to Ambient	$R_{\theta JA}$	500			°C/W
Storage Temperature	T_{STG}	-55~+150			°C

Electrical Ratings @Ta=25°C

Parameter	Symbol	Min	Typ	Max	Unit	Conditions
Forward voltage	V_{F1}			1.0	V	$I_F=0.1A$
	V_{F2}			1.25		$I_F=0.2A$
Reverse current	I_R			0.1	μA	$V_R=100V$
				0.1		$V_R=150V$
				0.1		$V_R=200V$
Capacitance between terminals	C_T			5	pF	$V_R=0V, f=1MHz$
Reverse recovery time	t_{rr}			50	ns	$I_F=I_R=30mA$ $I_{rr}=0.1I_R, R_L=100\Omega$



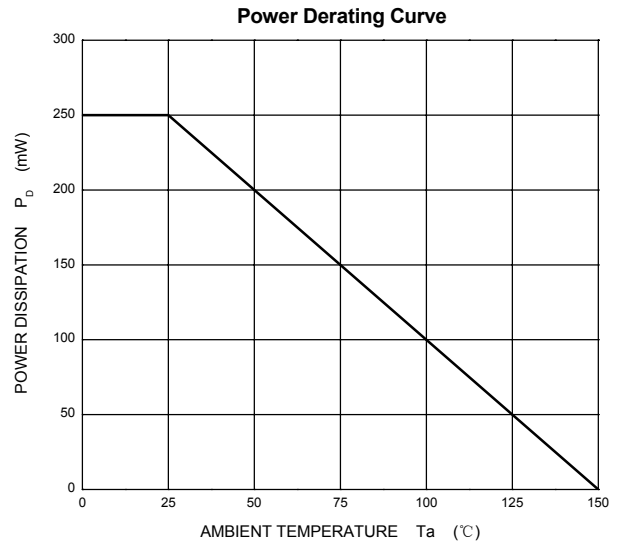
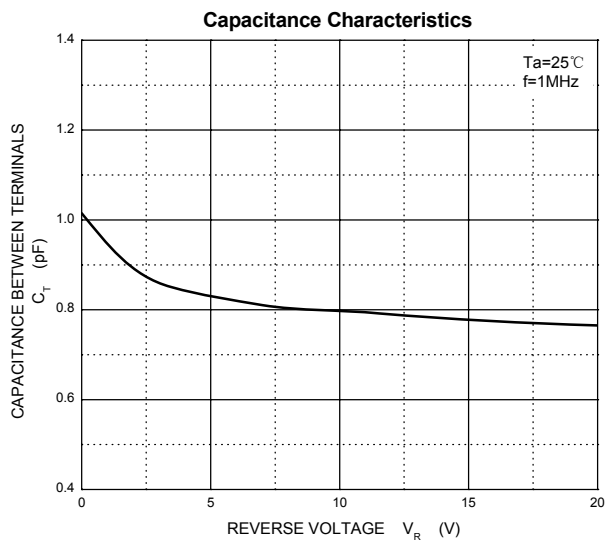
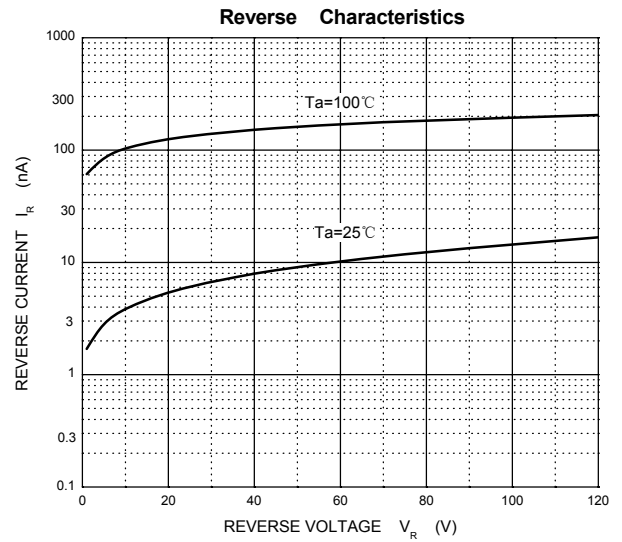
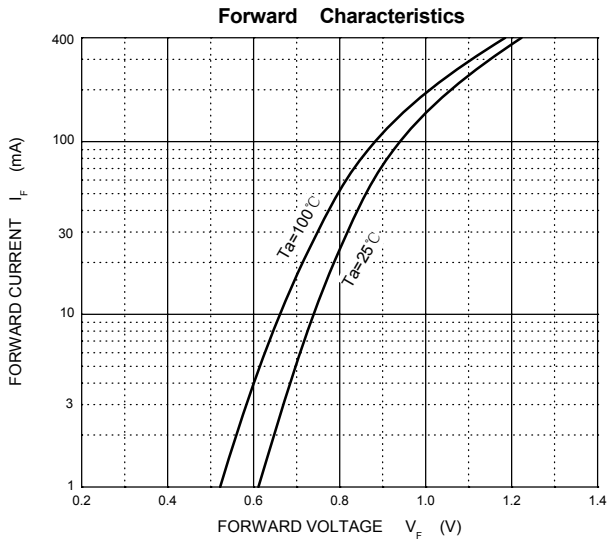
WILLAS



BAV19WS
BAV20WS
BAV21WS

SOD-323 Plastic-Encapsulate Diodes

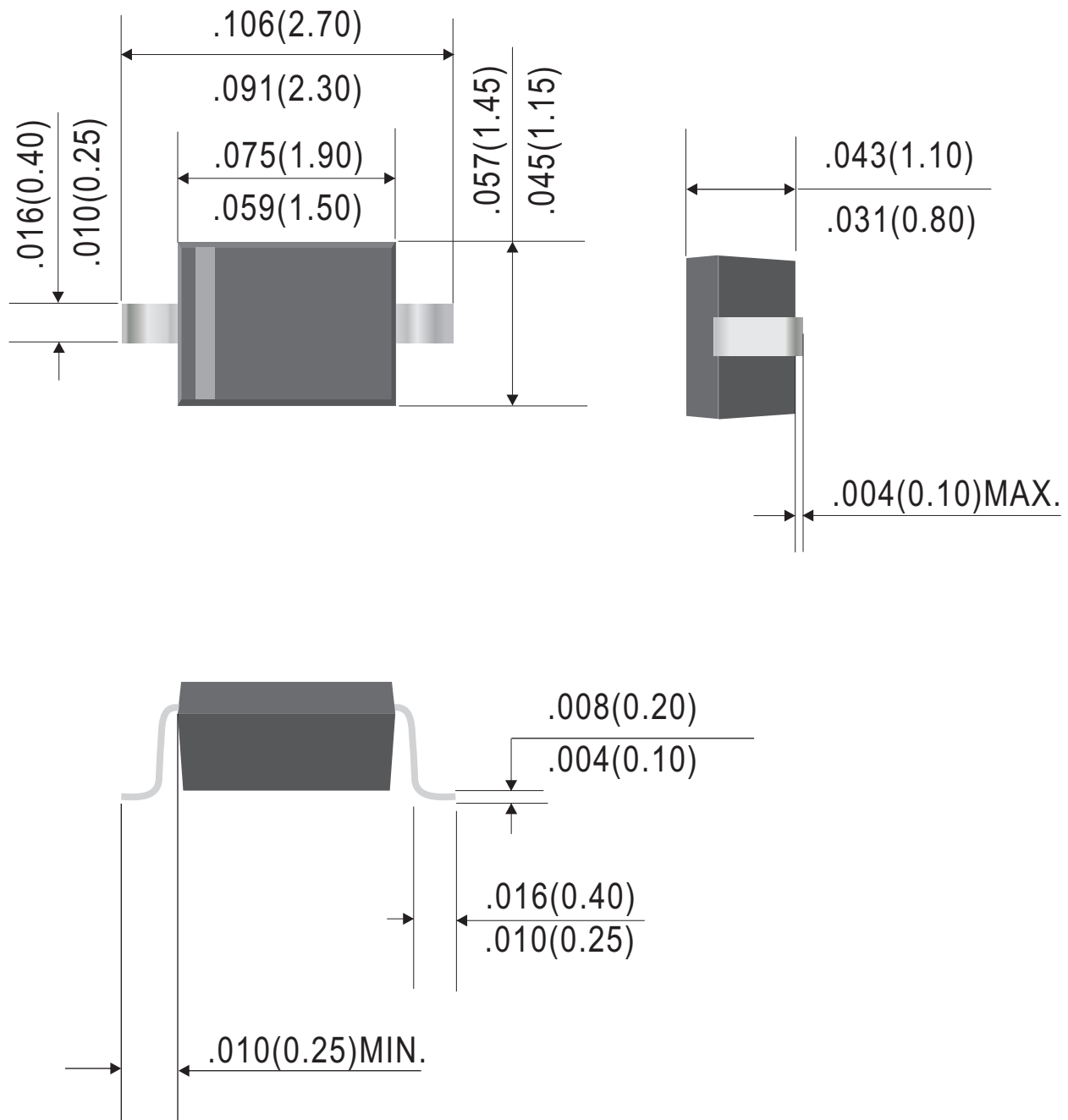
Typical Characteristics BAV19WS



SOD-323 Plastic-Encapsulate Diodes

Outline Drawing

SOD-323



Dimensions in inches and (millimeters)