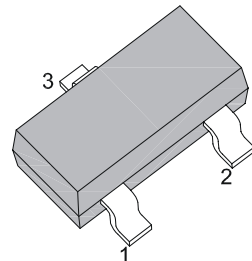


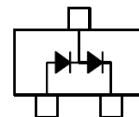
## Three Terminals SMD Switching Diode

### Features

- Silicon Epitaxial Planar Diode
- Ultra High Speed Switching Application
- High Conductance
- Electrically Identical to Standard JEDEC
- RoHS Compliant



SOT-23



### Mechanical Data

<b>Case:</b>	SOT-23, Plastic Case
<b>Terminals:</b>	Solderable per MIL-STD-202G, Method 208
<b>Weight:</b>	Approx. 0.0088 gram

### Maximum Ratings *(T<sub>Ambient</sub>=25°C unless noted otherwise)*

Symbol	Description	BAV99-226	Unit
	Marking Code	C3	
<b>VRM</b>	Reverse Voltage	80	V
<b>VRRM</b>	Peak Reverse Voltage	85	V
<b>IF(AV)</b>	Forward Average Current	100*	mA
<b>IFM</b>	Peak Forward Current	300*	mA
<b>IFSM</b>	Peak Forward Surge Current (10mS)	2*	A
<b>PD</b>	Power Dissipation	150	mW
<b>TJ</b>	Junction Temperature	150	°C
<b>TSTG</b>	Storage Temperature Range	-55 to +150	°C

Note: \*Unit Rating. Total Rating=Unit Rating x 0.7

# Three Terminals SMD Switching Diode

**BAV99-226**

## Electrical Characteristics ( $T_{Ambient}=25^{\circ}C$ unless noted otherwise)

Symbol	Description	Min.	Typ.	Max.	Unit	Conditions
<b>V<sub>F</sub></b>	Forward Voltage	-	0.60	-	V	I <sub>F</sub> =1mA
		-	0.72	-		I <sub>F</sub> =10mA
		-	0.90	1.20		I <sub>F</sub> =100mA
<b>I<sub>R</sub></b>	Reverse Current	-	-	0.5	μA	V <sub>R</sub> =80V
<b>C<sub>T</sub></b>	Total Capacitance	-	0.9	3.0	pF	V <sub>R</sub> =0V, f=1MHz
<b>T<sub>rr</sub></b>	Reverse Recovery Time	-	1.6	4.0	nS	I <sub>F</sub> =10mA

## Typical Characteristics Curves

Fig.1- I<sub>F</sub> - V<sub>F</sub>

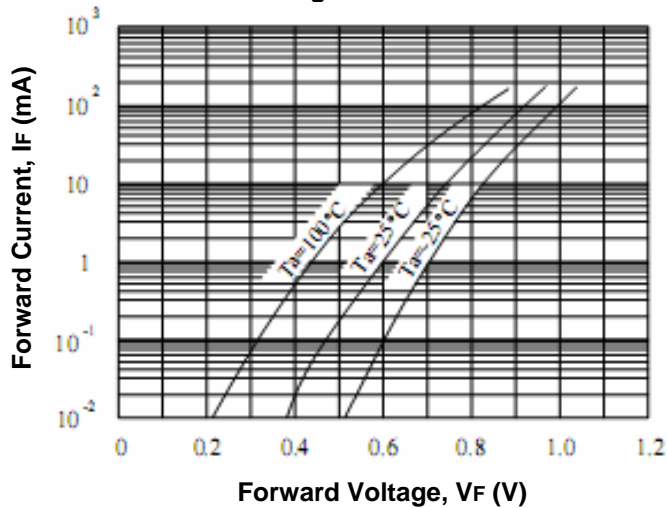
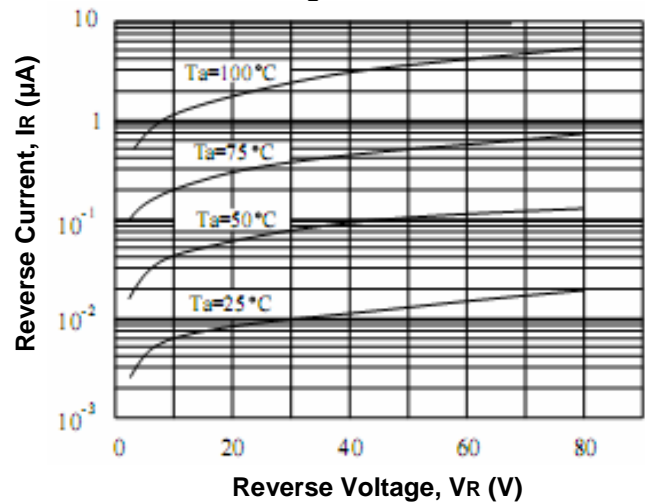


Fig.2- I<sub>R</sub> - V<sub>R</sub>



# Three Terminals SMD Switching Diode

BAV99-226

Fig.3-  $C_T$  -  $V_R$

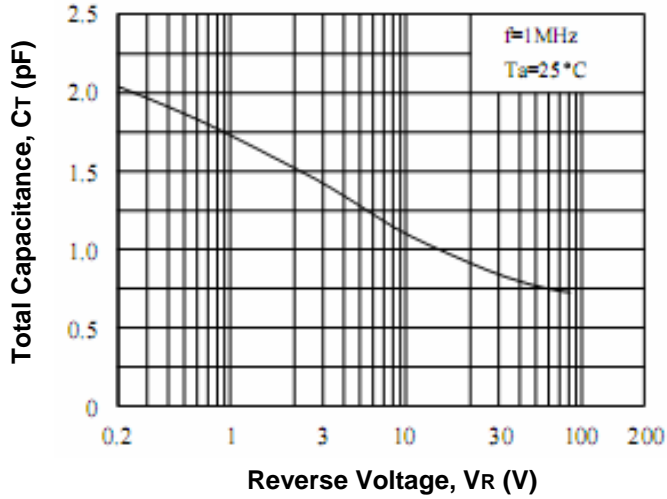


Fig.4-  $T_{rr}$  -  $I_F$

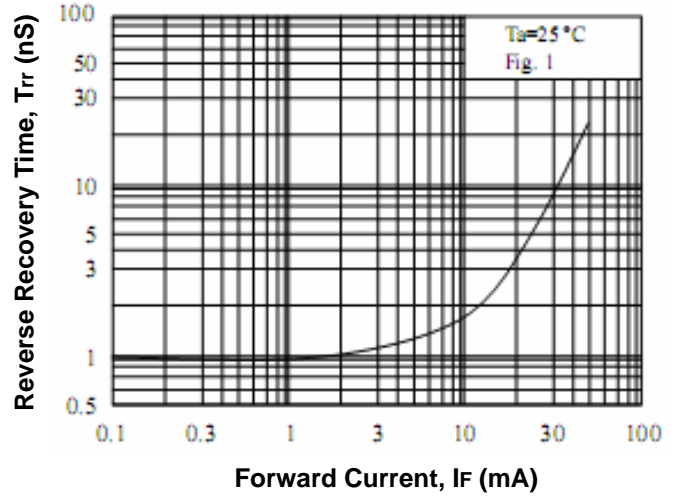
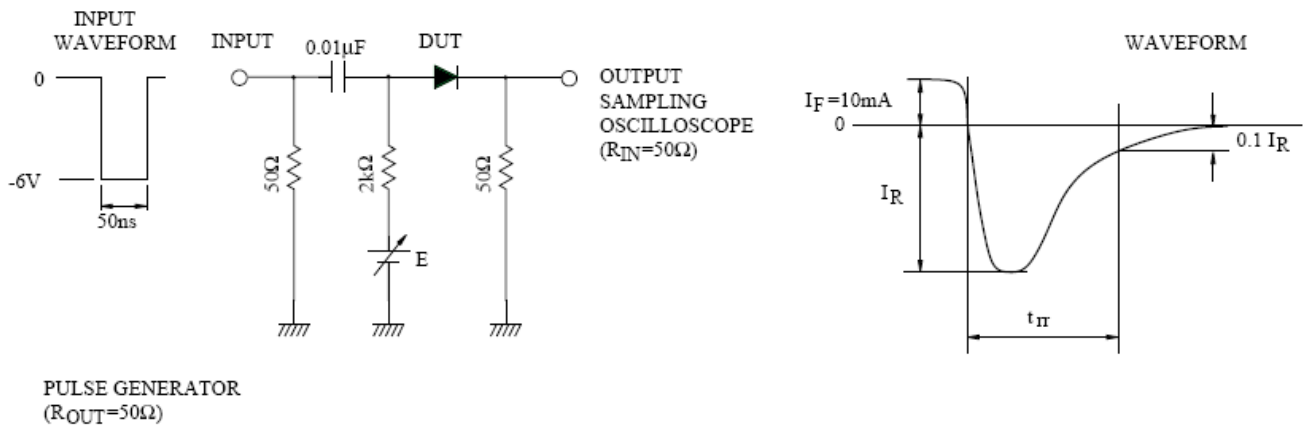


Fig.5- Reverse Recovery Time( $t_{rr}$ ) Test Circuit

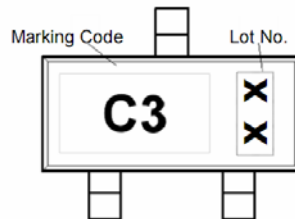


# Three Terminals SMD Switching Diode

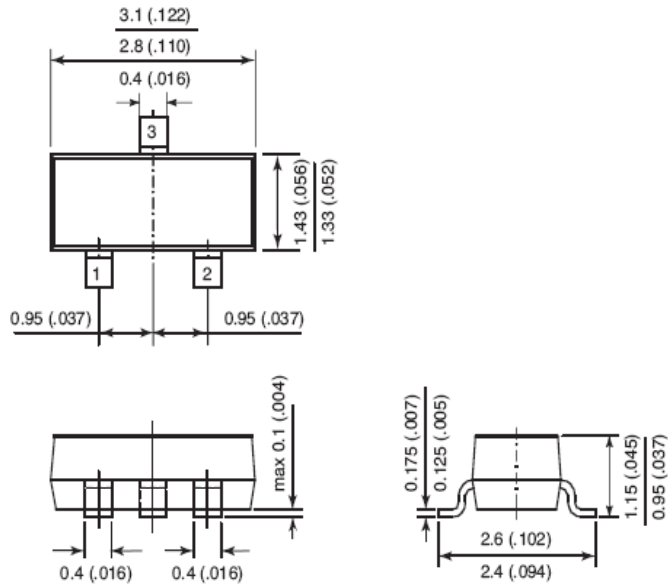
BAV99-226

## Marking Information:

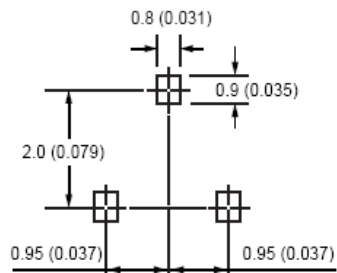
### Laser Marking



## Dimensions in mm (inch)



## Mounting Pad Layout in mm (inch)



SOT-23

**TAITRON**  
components incorporated

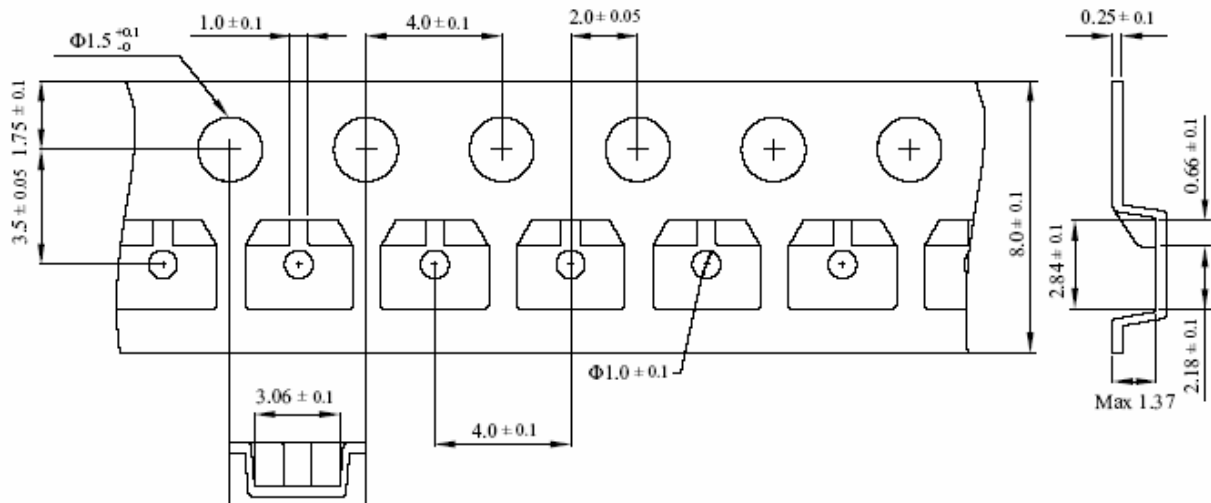
Rev. B/AH 2008-07-17

# Three Terminals SMD Switching Diode

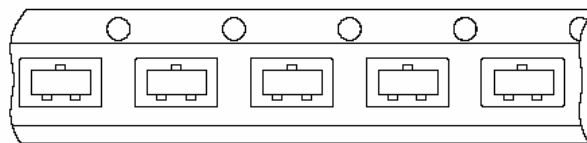
BAV99-226

## Packing Information:

### Carrier Tape Dimensions (in mm)



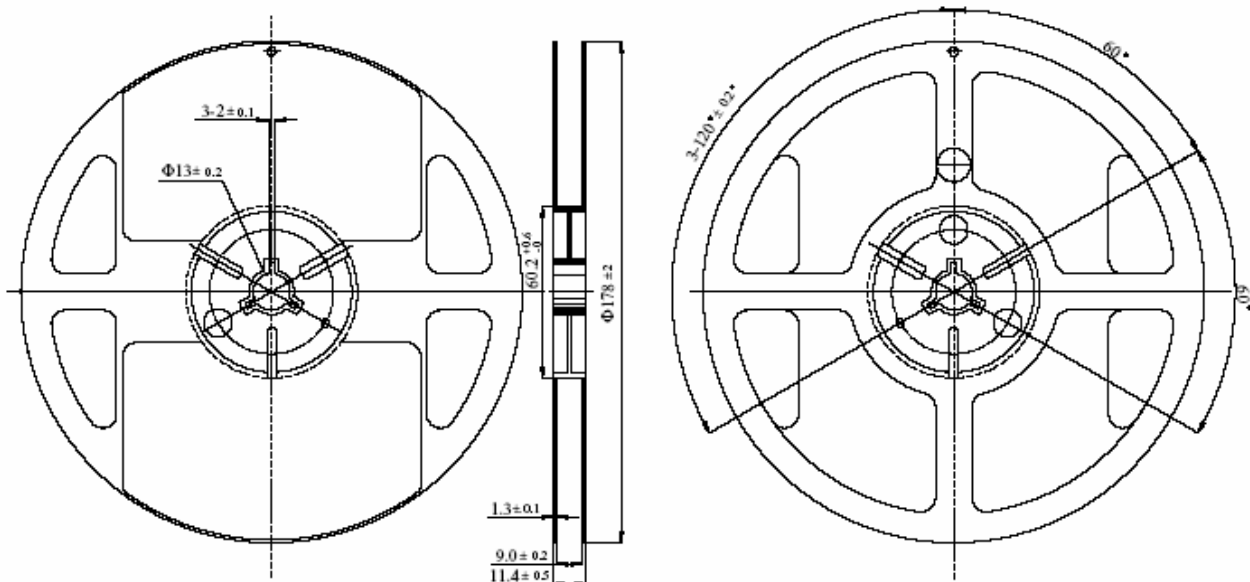
## Device Tape Method



# Three Terminals SMD Switching Diode

BAV99-226

## Reel Dimensions (in mm)



## Packing Quantity Information:

Quantity	PCS per Reel	PCS per Inner Box	PCS per Carton
-TR70 Tape & Reel	3,000	9,000	180,000

## Inner Box & Carton Size Information:

Inner Box	Carton
185X185X40 (in mm)	432X395X213 (in mm)

# Three Terminals SMD Switching Diode

---

**BAV99-226**

## How to contact us:

### **US HEADQUARTERS**

28040 WEST HARRISON PARKWAY, VALENCIA, CA 91355-4162  
Tel: (800) TAITRON (800) 824-8766 (661) 257-6060  
Fax: (800) TAITFAX (800) 824-8329 (661) 257-6415  
Email: [taitron@taitroncomponents.com](mailto:taitron@taitroncomponents.com)  
Http://[www.taitroncomponents.com](http://www.taitroncomponents.com)

### **TAITRON COMPONENTS MEXICO, S.A .DE C.V.**

BOULEVARD CENTRAL 5000 INTERIOR 5 PARQUE INDUSTRIAL ATITALAQUIA, HIDALGO C.P. 42970  
MEXICO  
Tel: +52-55-5560-1519  
Fax: +52-55-5560-2190

### **TAITRON COMPONENTS INCORPORATED REPRESENTAÇÕES DO BRASIL LTDA**

RUA DOMINGOS DE MORAIS, 2777, 2.ANDAR, SALA 24 SAÚDE - SÃO PAULO-SP 04035-001 BRAZIL  
Tel: +55-11-5574-7949  
Fax: +55-11-5572-0052

### **TAITRON COMPONENTS INCORPORATED, SHANGHAI REPRESENTATIVE OFFICE**

METROBANK PLAZA, 1160 WEST YAN' AN ROAD, SUITE 1503, SHANGHAI, 200052, CHINA  
Tel: +86-21-5424-9942  
Fax: +86-21-5424-9931