



## BAW56W

Preliminary

DIODE

### DUAL SURFACE MOUNT SWITCHING DIODE

#### DESCRIPTION

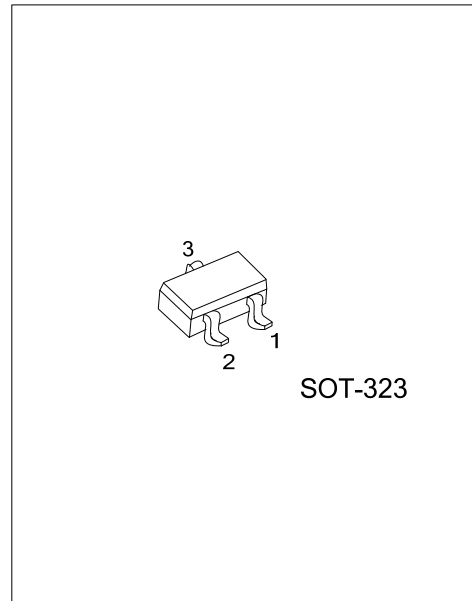
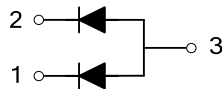
The UTC **BAW56W** is a dual surface mount switching diode providing the designers with ultra-fast switching and high conduction.

The UTC **BAW56W** is suitable for general purpose switching applications.

#### FEATURES

- \* Ultra-fast switching
- \* Low switching loss
- \* High Conduction

#### SYMBOL



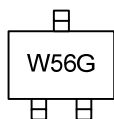
#### ORDERING INFORMATION

Ordering Number	Package	Pin Assignment			Packing
		1	2	3	
BAW56WG-AL3-R	SOT-323	K1	K2	A2A1	Tape Reel

Note: Pin Assignment: A: Anode K: Cathode

<p>BAW56WG-AL3-R</p>	<p>(1) R: Tape Reel</p> <p>(2) AL3: SOT-323</p> <p>(3) G: Halogen Free and Lead Free</p>
----------------------	------------------------------------------------------------------------------------------

#### MARKING



■ ABSOLUTE MAXIMUM RATINGS ( $T_A=25^\circ\text{C}$ , unless otherwise specified)

PARAMETER	SYMBOL	RATINGS	UNIT
Non-Repetitive Peak Reverse Voltage	$V_{RM}$	100	V
Repetitive Peak Reverse Voltage	$V_{RRM}$	75	V
Working Peak Reverse Voltage	$V_{RWM}$	75	V
DC Blocking Voltage	$V_R$	75	V
RMS Reverse Voltage	$V_{R(RMS)}$	53	V
Forward Continuous Current	$I_{FM}$	300	mA
Average Rectified Output Current	$I_O$	150	mA
Non-Repetitive Peak Forward Surge Current	$t=1.0\mu\text{s}$	2.0	A
	$t=1.0\text{s}$	1.0	
Power Dissipation	$P_D$	200	mW
Junction Temperature	$T_J$	-65 ~ +150	$^\circ\text{C}$
Storage Temperature	$T_{STG}$	-65 ~ +150	$^\circ\text{C}$

Note: Absolute maximum ratings are those values beyond which the device could be permanently damaged. Absolute maximum ratings are stress ratings only and functional device operation is not implied.

■ THERMAL DATA

PARAMETER	SYMBOL	RATINGS	UNIT
Junction to Ambient (Note 2)	$\theta_{JA}$	625	$^\circ\text{C/W}$

■ ELECTRICAL CHARACTERISTICS ( $T_A=25^\circ\text{C}$ , unless otherwise specified)

PARAMETER	SYMBOL	TEST CONDITIONS	MIN	TYP	MAX	UNIT
Reverse Breakdown Voltage (Note 1)	$V_{BR(R)}$	$I_R = 100\mu\text{A}$	75			V
Forward Voltage (Note 1, 3)	$V_F$	$I_F = 1.0\text{mA}$			0.715	V
		$I_F = 10\text{mA}$			0.855	
		$I_F = 50\text{mA}$			1.0	
		$I_F = 150\text{mA}$			1.25	
Peak Reverse Current (Note 1)	$I_R$	$V_R = 75\text{V}$			2.5	$\mu\text{A}$
		$V_R = 75\text{V}, T_J = 150^\circ\text{C}$			50	
		$V_R = 25\text{V}, T_J = 150^\circ\text{C}$			30	
		$V_R = 20\text{V}$			25	nA
Junction Capacitance	$C_J$	$V_R = 0, f = 1.0\text{MHz}$			2.0	pF
Reverse Recovery Time	$T_{RR}$	$I_F = I_R = 10\text{mA}, I_{RR} = 0.1 \times I_R, R_L = 100\Omega$			4.0	ns

Notes: 1. Short duration test pulse used to minimize self-heating effect.

2. Part mounted on FR-4 PC board with recommended pad layout.

3. Pulse Test: Pulse Width:  $300\mu\text{s}$ , Duty Cycle  $\leq 2\%$ .

UTC assumes no responsibility for equipment failures that result from using products at values that exceed, even momentarily, rated values (such as maximum ratings, operating condition ranges, or other parameters) listed in products specifications of any and all UTC products described or contained herein. UTC products are not designed for use in life support appliances, devices or systems where malfunction of these products can be reasonably expected to result in personal injury. Reproduction in whole or in part is prohibited without the prior written consent of the copyright owner. The information presented in this document does not form part of any quotation or contract, is believed to be accurate and reliable and may be changed without notice.