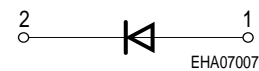
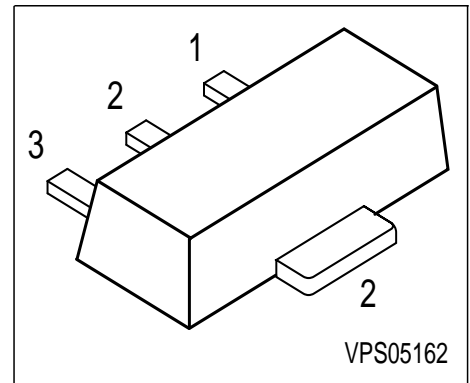


**Silicon Switching Diodes**

- Switching applications
- High breakdown voltage



Type	Marking	Pin Configuration			Package
		1 = A	2 = C	3 = n.c.	
BAW78A	GA	1 = A	2 = C	3 = n.c.	SOT89
BAW78B	GB	1 = A	2 = C	3 = n.c.	SOT89
BAW78C	GC	1 = A	2 = C	3 = n.c.	SOT89
BAW78D	GD	1 = A	2 = C	3 = n.c.	SOT89

**Maximum Ratings**

Parameter	Symbol	BAW	BAW	BAW	BAW	Unit
		78A	78B	78C	78D	
Diode reverse voltage	$V_R$	50	100	200	400	V
Peak reverse voltage	$V_{RM}$	50	100	200	400	
Forward current	$I_F$	1				A
Peak forward current	$I_{FM}$	1				
Surge forward current, $t = 1 \mu s$	$I_{FS}$	10				
Total power dissipation, $T_S = 125 \text{ }^\circ\text{C}$	$P_{tot}$	1				W
Junction temperature	$T_j$	150				$^\circ\text{C}$
Storage temperature	$T_{stg}$	-65 ... 150				

**Thermal Resistance**

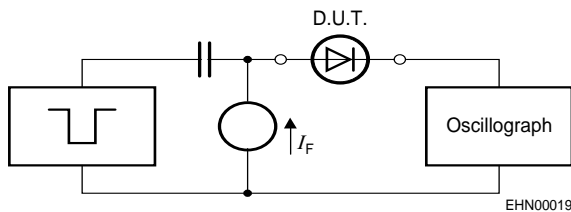
Junction - soldering point <sup>1)</sup>	$R_{thJS}$	$\leq 25$	K/W
--	------------	-----------	-----

<sup>1)</sup>For calculation of  $R_{thJA}$  please refer to Application Note Thermal Resistance

Electrical Characteristics at  $T_A = 25\text{ }^\circ\text{C}$ , unless otherwise specified.

Parameter	Symbol	Values			Unit
		min.	typ.	max.	
<b>DC characteristics</b>					
Breakdown voltage $I_{(BR)} = 100\text{ }\mu\text{A}$	$V_{(BR)}$				V
BAW78A		50	-	-	
BAW78B		100	-	-	
BAW78C		200	-	-	
BAW78D		400	-	-	
Forward voltage $I_F = 1\text{ A}$ $I_F = 2\text{ A}$	$V_F$				
		-	-	1.6	
		-	-	2	
Reverse current $V_R = V_{Rmax}$	$I_R$	-	-	1	$\mu\text{A}$
Reverse current $V_R = V_{Rmax}, T_A = 150\text{ }^\circ\text{C}$	$I_R$	-	-	50	
<b>AC characteristics</b>					
Diode capacitance $V_R = 0\text{ V}, f = 1\text{ MHz}$	$C_D$	-	10	-	pF
Reverse recovery time $I_F = 200\text{ mA}, I_R = 200\text{ mA}, R_L = 100\text{ }\Omega$ , measured at $I_R = 20\text{ mA}$	$t_{rr}$	-	1	-	$\mu\text{s}$

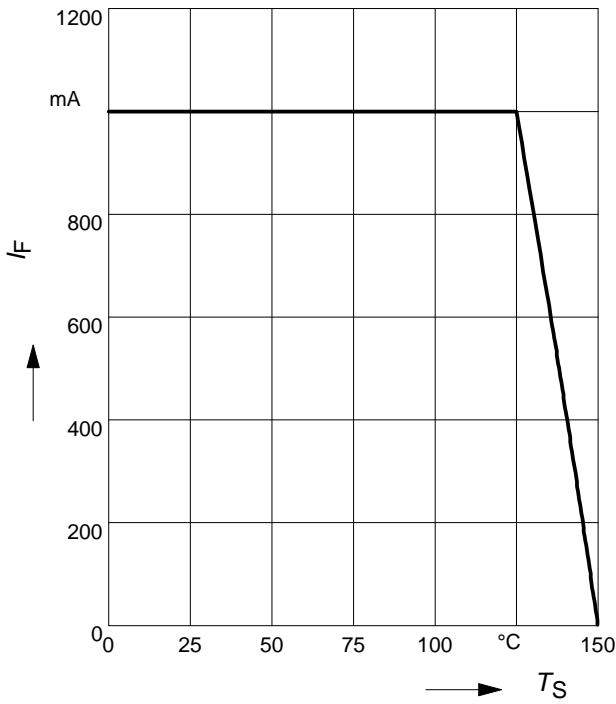
**Test circuit for reverse recovery time**



Pulse generator:  $t_p = 10\text{ }\mu\text{s}$ ,  $D = 0.05$ ,  
 $t_f = 0.6\text{ ns}$ ,  $R_i = 50\text{ }\Omega$

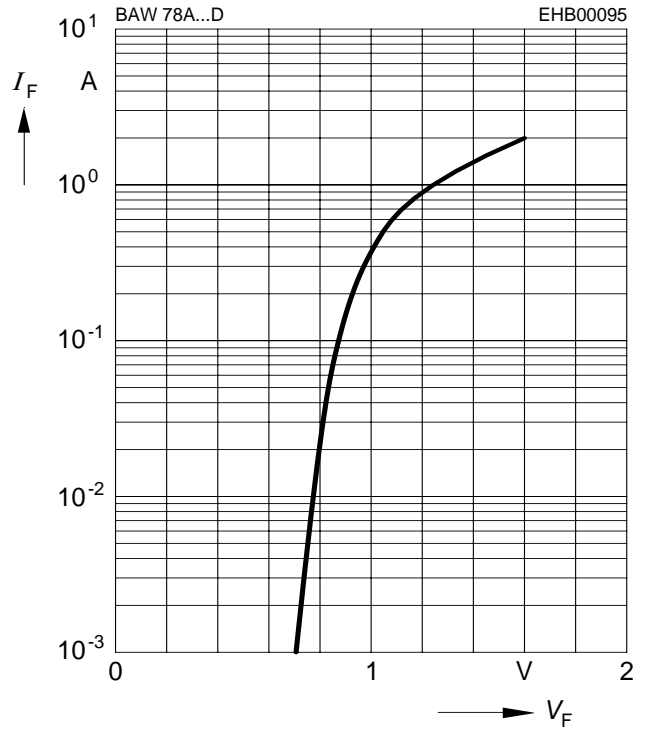
Oscilloscope:  $R = 50\text{ }\Omega$ ,  $t_f = 0.35\text{ ns}$ ,  
 $C \leq 1\text{ pF}$

Forward current  $I_F = f(T_S)$



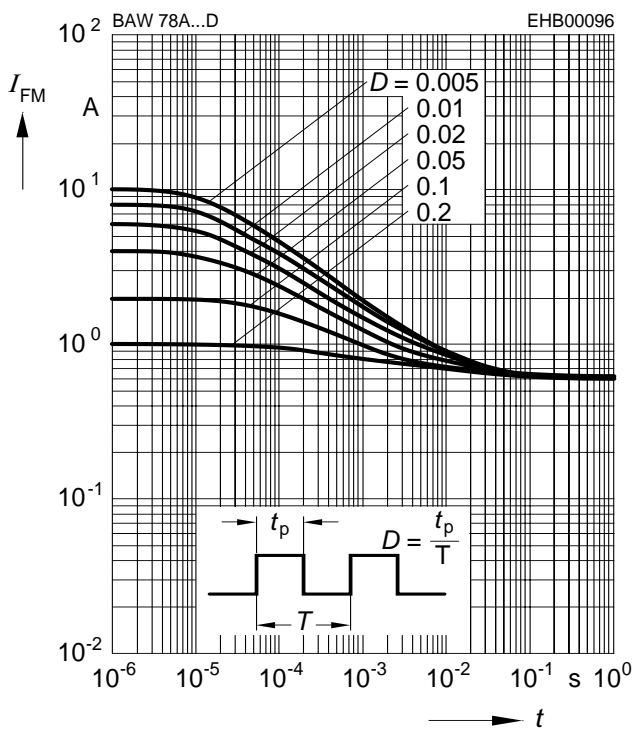
Forward current  $I_F = f(V_F)$

$T_A = 25^\circ\text{C}$



Peak forward current  $I_{FM} = f(t_p)$

$T_A = 25^\circ\text{C}$



Reverse current  $I_R = f(T_A)$

$V_R = V_{Rmax}$

