

BB405M

Build in Biasing Circuit MOS FET IC UHF/VHF RF Amplifier

HITACHI

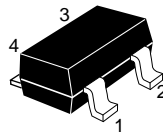
ADE-208-718A (Z)
2nd. Edition
Dec. 1998

Features

- Build in Biasing Circuit; To reduce using parts cost & PC board space.
- Superior cross modulation characteristics.
- High gain;
(PG = 28 dB typ. at f = 200 MHz)
- Wide supply voltage range;
Applicable with 5V to 9V supply voltage.
- Withstanding to ESD;
Build in ESD absorbing diode. Withstand up to 200V at C=200pF, Rs=0 conditions.
- Provide mini mold packages; MPAK-4R(SOT-143 var.)

Outline

MPAK-4R



1. Source
2. Drain
3. Gate2
4. Gate1

Notes: 1. Marking is "EX-".

2. BB405M is individual type number of HITACHI BBFET.

Absolute Maximum Ratings (Ta = 25°C)

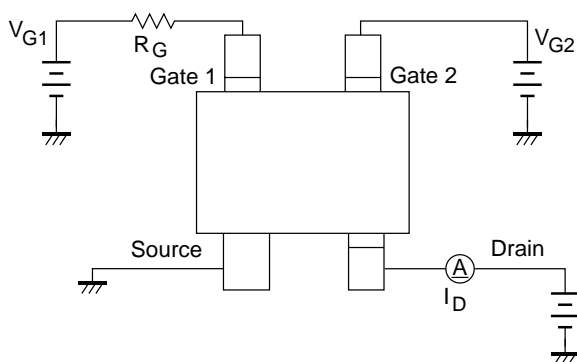
Item	Symbol	Ratings	Unit
Drain to source voltage	V_{DS}	12	V
Gate1 to source voltage	V_{G1S}	+10 -0	V
Gate2 to source voltage	V_{G2S}	±10	V
Drain current	I_D	25	mA
Channel power dissipation	Pch	150	mW
Channel temperature	Tch	150	°C
Storage temperature	Tstg	-55 to +150	°C

Electrical Characteristics (Ta = 25°C)

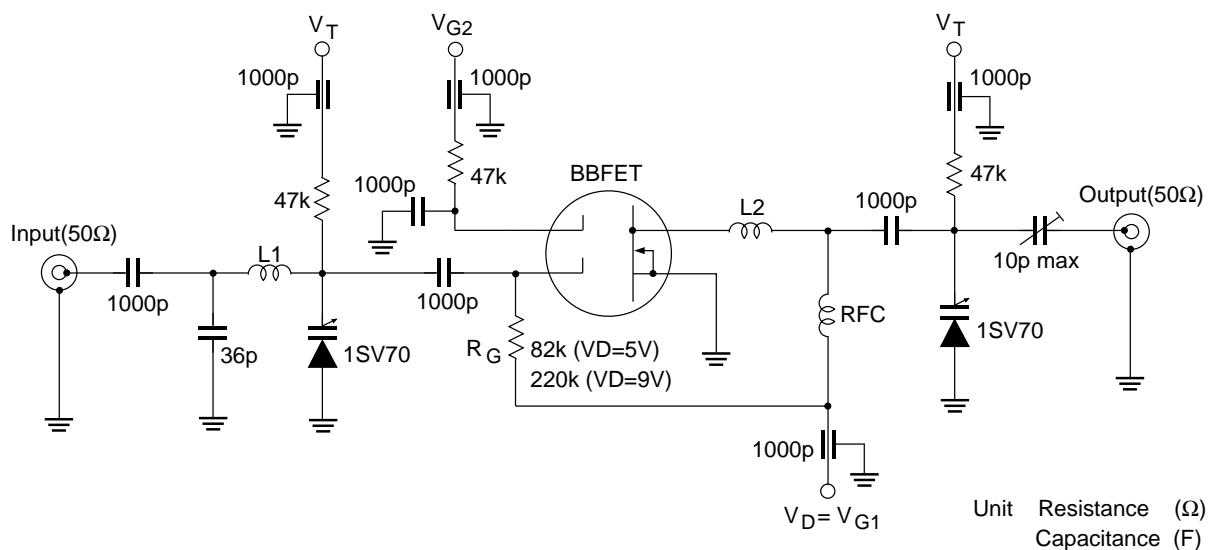
Item	Symbol	Min	Typ	Max	Unit	Test Conditions
Drain to source breakdown voltage	$V_{(BR)DSS}$	12	—	—	V	$I_D = 200\mu A, V_{G1S} = V_{G2S} = 0$
Gate1 to source breakdown voltage	$V_{(BR)G1SS}$	+10	—	—	V	$I_{G1} = +10\mu A, V_{G2S} = V_{DS} = 0$
Gate2 to source breakdown voltage	$V_{(BR)G2SS}$	±10	—	—	V	$I_{G2} = \pm 10\mu A, V_{G1S} = V_{DS} = 0$
Gate1 to source cutoff current	I_{G1SS}	—	—	+100	nA	$V_{G1S} = +9V, V_{G2S} = V_{DS} = 0$
Gate2 to source cutoff current	I_{G2SS}	—	—	±100	nA	$V_{G2S} = \pm 9V, V_{G1S} = V_{DS} = 0$
Gate1 to source cutoff voltage	$V_{G1S(off)}$	0.4	0.7	1.0	V	$V_{DS} = 5V, V_{G2S} = 4V, I_D = 100\mu A$
Gate2 to source cutoff voltage	$V_{G2S(off)}$	0.4	0.7	1.0	V	$V_{DS} = 5V, V_{G1S} = 5V, I_D = 100\mu A$
Input capacitance	C_{iss}	2.3	2.8	3.5	pF	$V_{DS} = 5V, V_{G1} = 5V$
Output capacitance	C_{oss}	1.1	1.5	1.9	pF	$V_{G2S} = 4V, R_G = 82k\Omega$
Reverse transfer capacitance	C_{rss}	—	0.017	0.04	pF	$f = 1MHz$
Drain current	$I_{D(op)1}$	10	15	20	mA	$V_{DS} = 5V, V_{G1} = 5V$ $V_{G2S} = 4V, R_G = 82k\Omega$
	$I_{D(op)2}$	—	13	—	mA	$V_{DS} = 9V, V_{G1} = 9V$ $V_{G2S} = 6V, R_G = 220k\Omega$
Forward transfer admittance	$ y_{fs} 1$	23	28	—	mS	$V_{DS} = 5V, V_{G1} = 5V, V_{G2S} = 4V$ $R_G = 82k\Omega, f = 1kHz$
	$ y_{fs} 2$	—	28	—	mS	$V_{DS} = 9V, V_{G1} = 9V, V_{G2S} = 6V$ $R_G = 220k\Omega, f = 1kHz$
Power gain	PG1	24	28	—	dB	$V_{DS} = 5V, V_{G1} = 5V, V_{G2S} = 4V$ $R_G = 82k\Omega, f = 200MHz$
	PG2	—	28	—	dB	$V_{DS} = 9V, V_{G1} = 9V, V_{G2S} = 6V$ $R_G = 220k\Omega, f = 200MHz$
Noise figure	NF1	—	1.4	1.9	dB	$V_{DS} = 5V, V_{G1} = 5V, V_{G2S} = 4V$ $R_G = 82k\Omega, f = 200MHz$
	NF2	—	1.4	—	dB	$V_{DS} = 9V, V_{G1} = 9V, V_{G2S} = 6V$ $R_G = 220k\Omega, f = 200MHz$

Main Characteristics

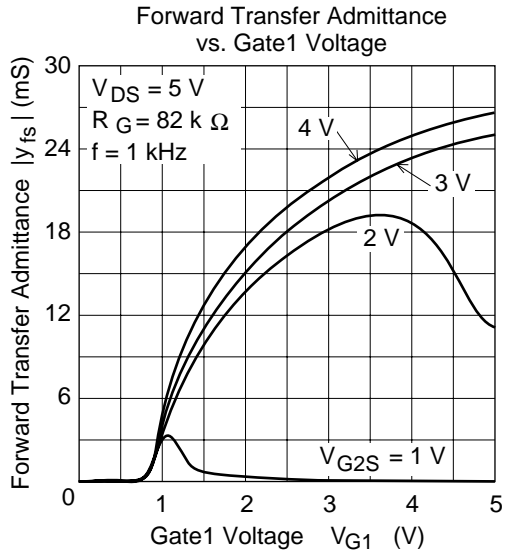
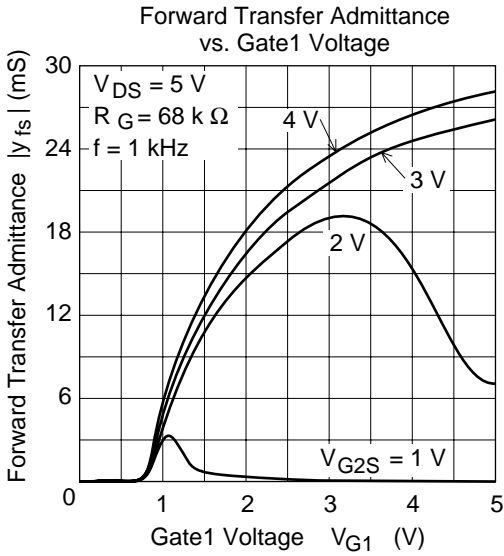
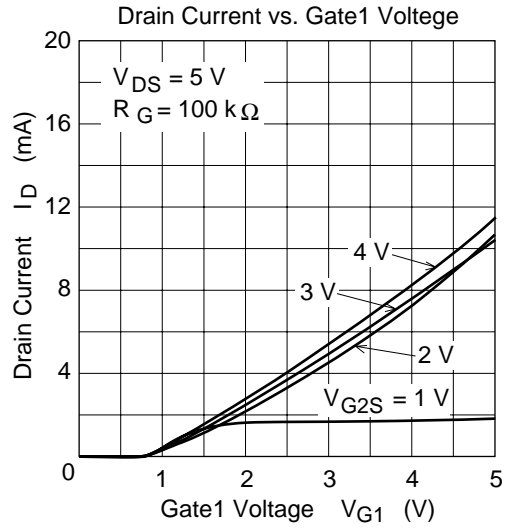
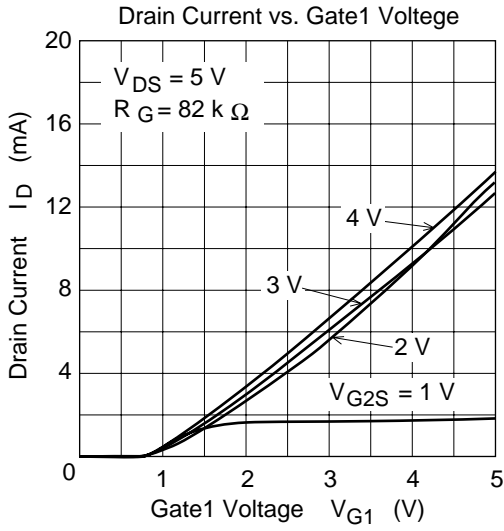
Test Circuit for Operating Items ($I_{D(op)}$, $|y_{fs}|$, C_{iss} , C_{oss} , C_{rss} , NF, PG)

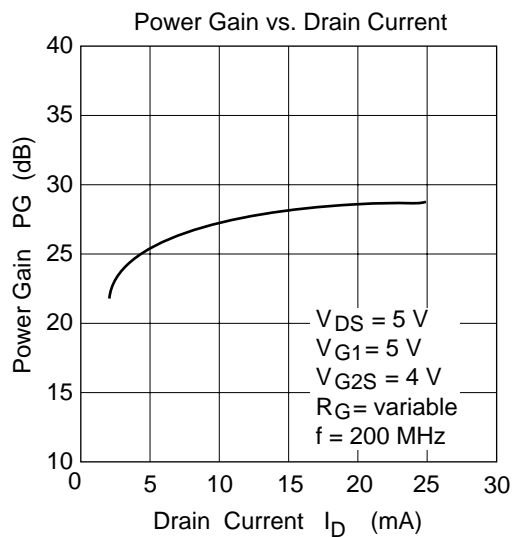
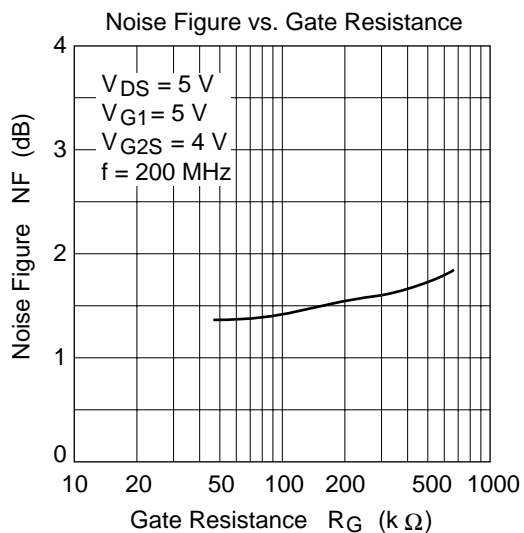
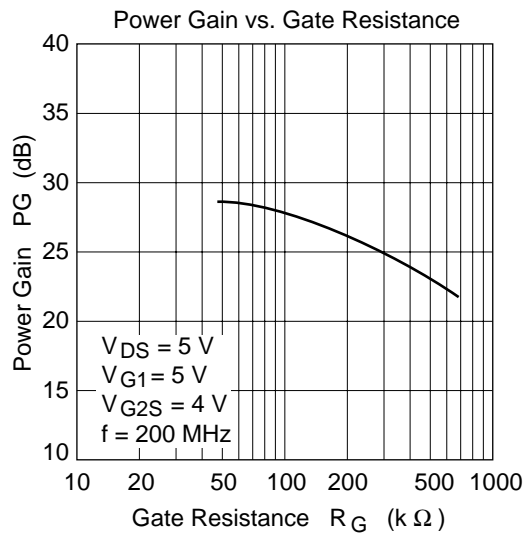
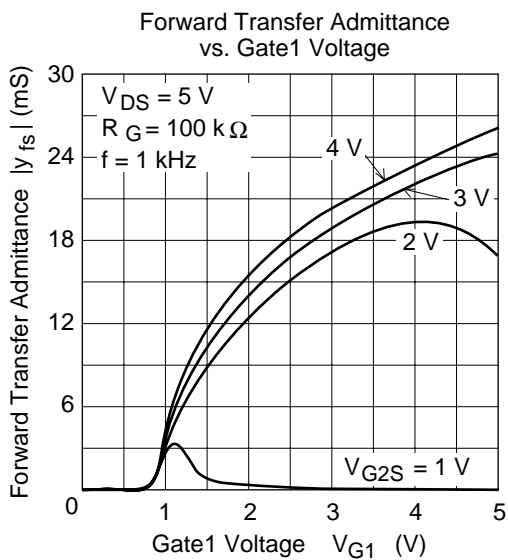


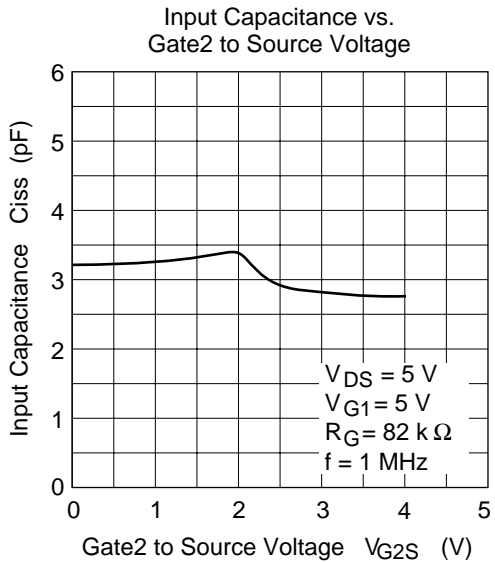
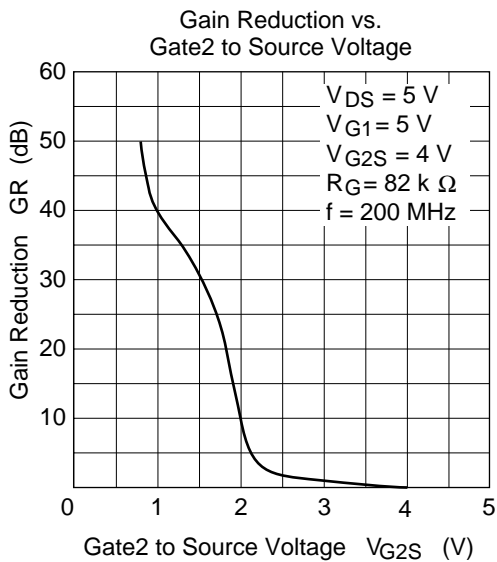
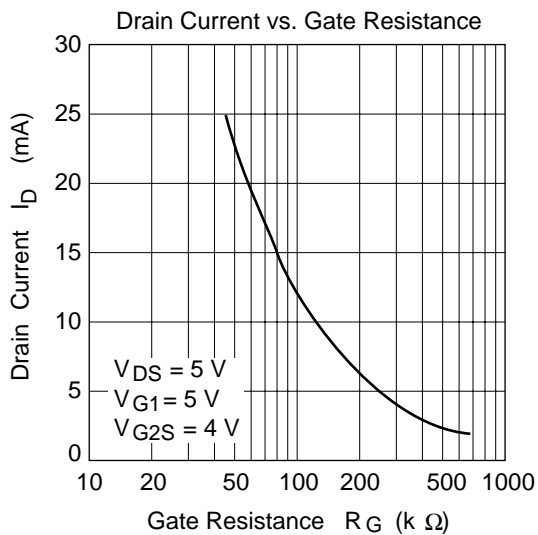
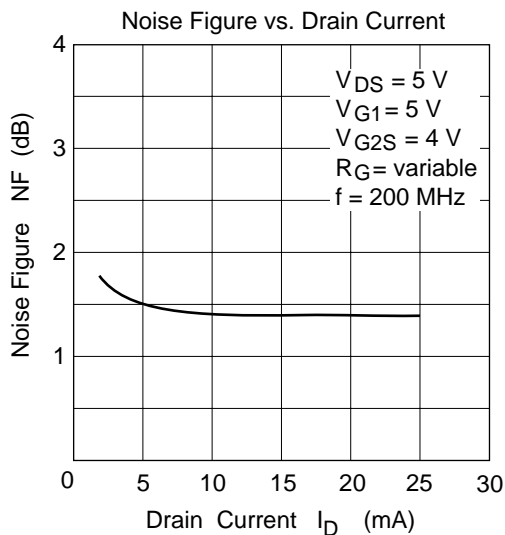
Power Gain, Noise Figure Test Circuit



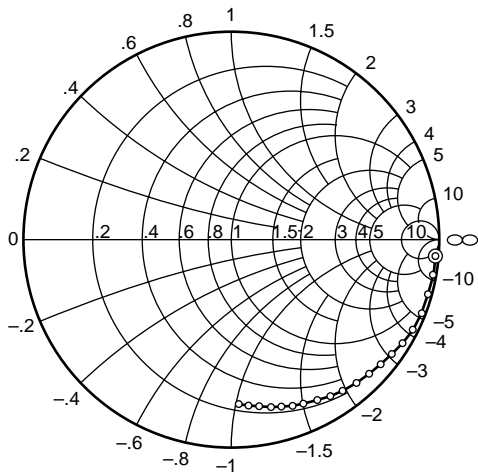
- L1 : $\phi 1$ mm Enameled Copper Wire, Inside dia 10mm, 2Turns
- L2 : $\phi 1$ mm Enameled Copper Wire, Inside dia 10mm, 2Turns
- RFC : $\phi 1$ mm Enameled Copper Wire, Inside dia 5mm, 2Turns







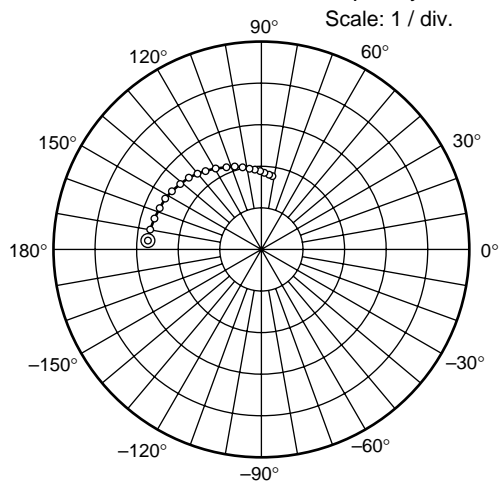
S11 Parameter vs. Frequency



Test Condition : $V_{DS} = 5\text{ V}$, $V_{G1} = 5\text{ V}$
 $V_{G2S} = 4\text{ V}$, $R_G = 82\text{ k}\Omega$
 50 to 1000 MHz (50 MHz step)



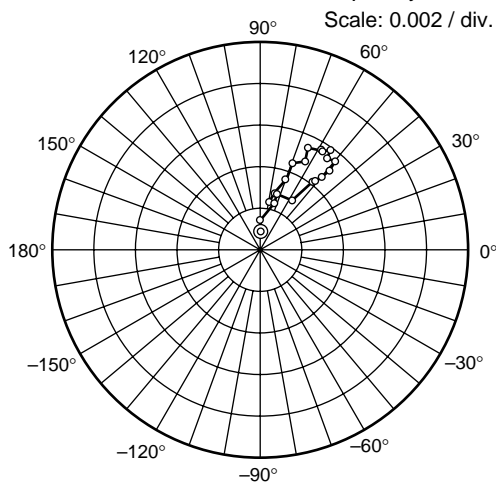
S21 Parameter vs. Frequency



Test Condition : $V_{DS} = 5\text{ V}$, $V_{G1} = 5\text{ V}$
 $V_{G2S} = 4\text{ V}$, $R_G = 82\text{ k}\Omega$
 50 to 1000 MHz (50 MHz step)



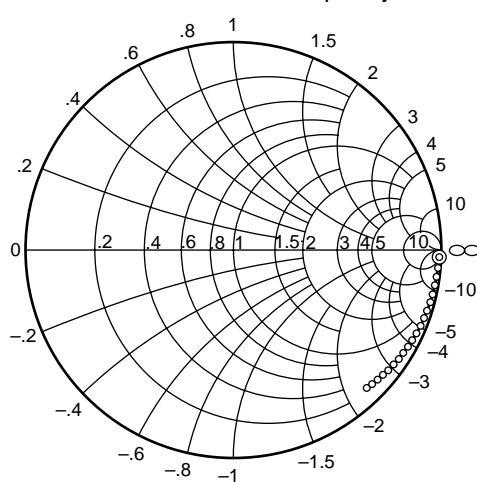
S12 Parameter vs. Frequency



Test Condition : $V_{DS} = 5\text{ V}$, $V_{G1} = 5\text{ V}$
 $V_{G2S} = 4\text{ V}$, $R_G = 82\text{ k}\Omega$
 50 to 1000 MHz (50 MHz step)



S22 Parameter vs. Frequency



Test Condition : $V_{DS} = 5\text{ V}$, $V_{G1} = 5\text{ V}$
 $V_{G2S} = 4\text{ V}$, $R_G = 82\text{ k}\Omega$
 50 to 1000 MHz (50 MHz step)

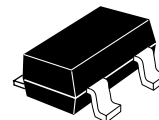
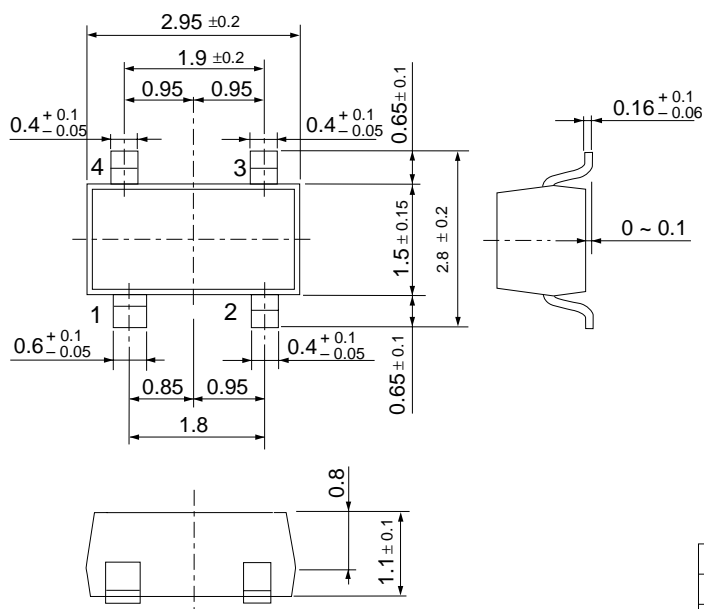


Sparameter ($V_{DS} = V_{GI} = 5V$, $V_{G2S} = 4V$, $R_G = 82k\Omega$, $Z_O = 50\Omega$)

f (MHz)	S11		S21		S12		S22	
	MAG	ANG	MAG	ANG	MAG	ANG	MAG	ANG
50	0.991	-4.8	2.69	174.9	0.00090	91.4	0.991	-2.2
100	0.991	-9.9	2.68	169.3	0.00153	90.5	0.992	-4.8
150	0.982	-15.4	2.66	163.4	0.00243	73.8	0.991	-7.5
200	0.975	-20.7	2.62	157.5	0.00293	74.9	0.989	-9.9
250	0.972	-25.6	2.60	152.0	0.00370	70.1	0.985	-12.6
300	0.956	-30.6	2.54	146.3	0.00444	69.0	0.981	-15.0
350	0.942	-35.5	2.47	140.9	0.00478	63.7	0.977	-17.3
400	0.928	-40.1	2.42	135.7	0.00535	64.8	0.973	-19.7
450	0.920	-44.9	2.38	130.5	0.00551	56.8	0.967	-22.0
500	0.906	-49.2	2.32	125.7	0.00549	58.6	0.962	-24.5
550	0.894	-53.6	2.25	120.8	0.00584	54.4	0.957	-26.9
600	0.880	-57.8	2.18	116.2	0.00542	53.3	0.952	-29.2
650	0.868	-62.1	2.12	111.5	0.00562	49.5	0.944	-31.5
700	0.854	-66.2	2.06	106.8	0.00509	48.6	0.939	-33.8
750	0.842	-70.3	2.00	102.5	0.00465	49.7	0.933	-36.1
800	0.835	-73.9	1.94	98.4	0.00427	51.6	0.927	-38.3
850	0.820	-77.7	1.89	94.0	0.00416	53.3	0.921	-40.5
900	0.802	-81.5	1.83	89.6	0.00289	57.9	0.915	-42.7
950	0.801	-84.7	1.78	85.6	0.00288	72.9	0.909	-44.9
1000	0.789	-87.9	1.73	82.1	0.00241	78.9	0.904	-47.1

Package Dimensions

Unit: mm



Hitachi Code	MPAK-4R
EIAJ	—
JEDEC	—

Cautions

1. Hitachi neither warrants nor grants licenses of any rights of Hitachi's or any third party's patent, copyright, trademark, or other intellectual property rights for information contained in this document. Hitachi bears no responsibility for problems that may arise with third party's rights, including intellectual property rights, in connection with use of the information contained in this document.
2. Products and product specifications may be subject to change without notice. Confirm that you have received the latest product standards or specifications before final design, purchase or use.
3. Hitachi makes every attempt to ensure that its products are of high quality and reliability. However, contact Hitachi's sales office before using the product in an application that demands especially high quality and reliability or where its failure or malfunction may directly threaten human life or cause risk of bodily injury, such as aerospace, aeronautics, nuclear power, combustion control, transportation, traffic, safety equipment or medical equipment for life support.
4. Design your application so that the product is used within the ranges guaranteed by Hitachi particularly for maximum rating, operating supply voltage range, heat radiation characteristics, installation conditions and other characteristics. Hitachi bears no responsibility for failure or damage when used beyond the guaranteed ranges. Even within the guaranteed ranges, consider normally foreseeable failure rates or failure modes in semiconductor devices and employ systemic measures such as fail-safes, so that the equipment incorporating Hitachi product does not cause bodily injury, fire or other consequential damage due to operation of the Hitachi product.
5. This product is not designed to be radiation resistant.
6. No one is permitted to reproduce or duplicate, in any form, the whole or part of this document without written approval from Hitachi.
7. Contact Hitachi's sales office for any questions regarding this document or Hitachi semiconductor products.

HITACHI

Hitachi, Ltd.

Semiconductor & IC Div.
Nippon Bldg., 2-6-2, Ohte-machi, Chiyoda-ku, Tokyo 100-0004, Japan
Tel: Tokyo (03) 3270-2111 Fax: (03) 3270-5109

URL NorthAmerica : <http://semiconductor.hitachi.com/>
Europe : <http://www.hitachi-eu.com/hel/ecg>
Asia (Singapore) : <http://www.has.hitachi.com.sg/grp3/sicd/index.htm>
Asia (Taiwan) : http://www.hitachi.com.tw/E/Product/SICD_Frame.htm
Asia (HongKong) : <http://www.hitachi.com.hk/eng/bo/grp3/index.htm>
Japan : <http://www.hitachi.co.jp/Sicd/indx.htm>

For further information write to:

Hitachi Semiconductor
(America) Inc.
2000 Sierra Point Parkway
Brisbane, CA 94005-1897
Tel: <1> (800) 285-1601
Fax: <1> (303) 297-0447

Hitachi Europe GmbH
Electronic components Group
Dornacher StraÙe 3
D-85622 Feldkirchen, Munich
Germany
Tel: <49> (89) 9 9180-0
Fax: <49> (89) 9 29 30 00

Hitachi Europe Ltd.
Electronic Components Group.
Whitebrook Park
Lower Cookham Road
Maidenhead
Berkshire SL6 8YA, United Kingdom
Tel: <44> (1628) 585000
Fax: <44> (1628) 778322

Hitachi Asia Pte. Ltd.
16 Collyer Quay #20-00
Hitachi Tower
Singapore 049318
Tel: 535-2100
Fax: 535-1533

Hitachi Asia Ltd.
Taipei Branch Office
3F, Hung Kuo Building, No.167,
Tun-Hwa North Road, Taipei (105)
Tel: <886> (2) 2718-3666
Fax: <886> (2) 2718-8180

Hitachi Asia (Hong Kong) Ltd.
Group III (Electronic Components)
7/F., North Tower, World Finance Centre,
Harbour City, Canton Road, Tsim Sha Tsui,
Kowloon, Hong Kong
Tel: <852> (2) 735 9218
Fax: <852> (2) 730 0281
Telex: 40815 HITEC HX

Copyright © Hitachi, Ltd., 1998. All rights reserved. Printed in Japan.