

BC160

BC161

PNP SILICON AF MEDIUM POWER AMPLIFIERS & SWITCHES

THE BC160, BC161 ARE PNP SILICON PLANAR EPITAXIAL TRANSISTORS RECOMMENDED FOR AF DRIVERS AND OUTPUTS, AS WELL AS FOR SWITCHING APPLICATIONS UP TO 1 AMPERE. THE BC160, BC161 ARE COMPLEMENTARY TO THE NPN TYPE BC140, BC141 RESPECTIVELY.

CASE T0-39



C E B

ABSOLUTE MAXIMUM RATINGS

		BC160	BC161
Collector-Emitter Voltage ($V_{BE}=0$)	- V_{CES}	40V	60V
Collector-Emitter Voltage ($I_B=0$)	- V_{CEO}	40V	60V
Emitter-Base Voltage	- V_{EBO}	5V	5V
Collector Current	- I_C		1A
Total Power Dissipation (@ $T_C \leq 45^\circ C$)	P_{tot}		3.7W
			650mW
Operating Junction & Storage Temperature	T_j, T_{stg}		-55 to 175°C

ELECTRICAL CHARACTERISTICS ($T_A=25^\circ C$ unless otherwise noted)

PARAMETER	SYMBOL	BC160		BC161		UNIT	TEST CONDITIONS
		MIN	TYP MAX	MIN	TYP MAX		
Collector-Emitter Breakdown Voltage	- V_{CES}	40		60		V	- $I_C=0.1mA$ $V_{BE}=0$
Collector-Emitter Breakdown Voltage	- $V_{CEO} *$	40		60		V	- $I_C=50mA$ $I_B=0$
Emitter-Base Breakdown Voltage	- V_{EBO}	5		5		V	- $I_E=0.1mA$ $I_C=0$
Collector Cutoff Current	- I_{CES}		100		100	nA	$V_{CE}=V_{CES}$
			100		100	μA	$V_{CE}=V_{CES}$ $T_A=150^\circ C$
Collector-Emitter Saturation Voltage	- $V_{CE(sat)} *$		1		1	V	- $I_C=1A$ $-I_B=0.1A$
Base-Emitter Voltage	- $V_{BE} *$		1.7		1.7	V	- $I_C=1A$ $-V_{CE}=1V$
D.C. Current Gain	$H_{FE} *$	40	250	40	250		- $I_C=100mA$ $-V_{CE}=1V$
	Group 6	40	100	40	100		
	Group 10	63	160	63	160		
	Group 16	100	250	100	250		
HFE Matched Pair Ratio	$\frac{H_{FE} 1}{H_{FE} 2} *$		1.41		1.41		- $I_C=100mA$ $-V_{CE}=1V$
Current Gain-Bandwidth Product	f_T	50	140	50	140	MHz	- $I_C=50mA$ $-V_{CE}=10V$
Collector-Base Capacitance	C_{ob}		18 30		18 30	pF	- $V_{CB}=10V$ $I_E=0$ $f=1MHz$
Emitter-Base Capacitance	C_{ib}		180		180	pF	- $V_{EB}=0.5V$ $I_C=0$ $f=1MHz$
Turn-On Time	t_{on}		500		500	nS	- $I_C=100mA$ $-I_B=5mA$
Turn-Off Time	t_{off}		650		650	nS	- $I_C=100mA$ $-I_{B1}=I_{B2}=5mA$

* Pulse Test : Pulse Width=0.3mS, Duty Cycle=1%

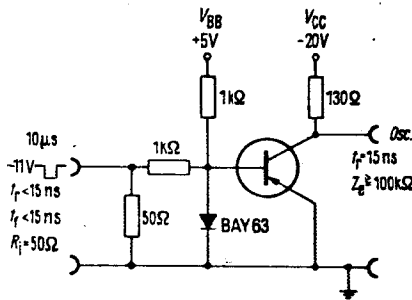
MICRO ELECTRONICS LTD.

38 HUNG TO ROAD, KWUN TONG, HONG KONG. TELEX 43510
KWUN TONG P. O. BOX 69477 CABLE ADDRESS "MICROTRON"
TELEPHONE: 3-430181-6 3-893369, 3-892429

FAX: 3-410321

BC160 . BC161

SWITCHING TIME TEST CIRCUIT (t_{on} , t_{off})



TYPICAL CHARACTERISTICS

