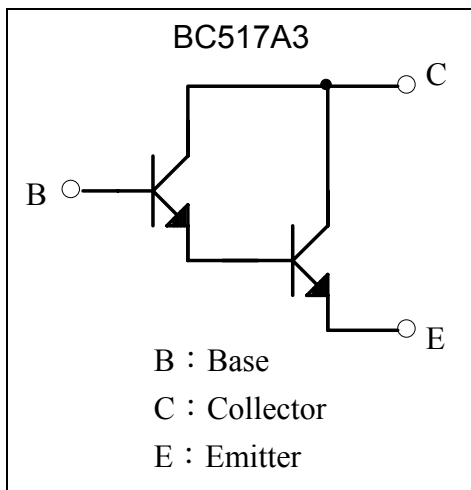


General Purpose NPN Epitaxial Planar Transistor
BC517A3

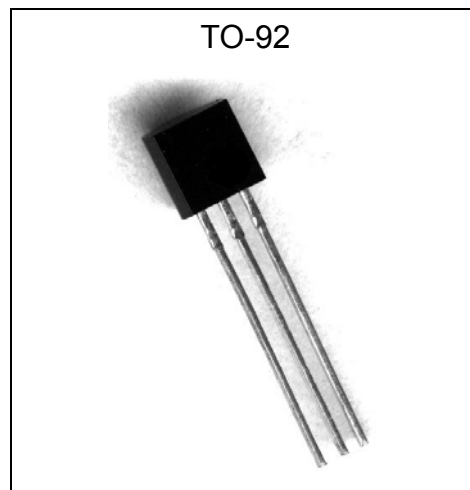
Description

- The BC517A3 is a darlington amplifier transistor
- Pb-free package

Symbol



Outline



Absolute Maximum Ratings (Ta=25°C)

| Parameter | Symbol | Limits | Unit |
|---------------------------|------------------|----------|------|
| Collector-Base Voltage | V _{CB0} | 40 | V |
| Collector-Emitter Voltage | V _{CEO} | 30 | V |
| Emitter-Base Voltage | V _{EBO} | 10 | V |
| Collector Current | I _C | 0.5 | A |
| Power Dissipation | P _d | 625 | mW |
| Junction Temperature | T _j | 150 | °C |
| Storage Temperature | T _{stg} | -55~+150 | °C |

**Characteristics (Ta=25°C)**

| Symbol | Min. | Typ. | Max. | Unit | Test Conditions |
|-----------------|------|------|------|------|----------------------------------|
| BV_{CBO} | 40 | - | - | V | $I_C=100\mu A$ |
| BV_{CEO} | 30 | - | - | V | $I_C=1mA$ |
| BV_{EBO} | 10 | - | - | V | $I_E=100\mu A$ |
| I_{CBO} | - | - | 100 | nA | $V_{CB}=40V$ |
| I_{EBO} | - | - | 100 | nA | $V_{EB}=10V$ |
| * $V_{CE(sat)}$ | - | - | 1.0 | V | $I_C=100mA, I_B=1mA$ |
| * $V_{CE(sat)}$ | - | - | 1.3 | V | $I_C=100mA, I_B=0.1mA$ |
| * $V_{BE(sat)}$ | - | 1.5 | 2.0 | V | $I_C=100mA, I_B=1mA$ |
| * $V_{BE(on)}$ | - | - | 2.0 | V | $V_{CE}=5V, I_C=100mA$ |
| * h_{FE1} | 10K | - | - | | $V_{CE}=5V, I_C=10mA$ |
| * h_{FE2} | 20K | - | - | | $V_{CE}=5V, I_C=100mA$ |
| f_T | - | 220 | - | MHz | $V_{CE}=2V, I_C=100mA, f=100MHz$ |
| Cob | - | 5 | - | pF | $V_{CB}=10V, f=1MHz$ |

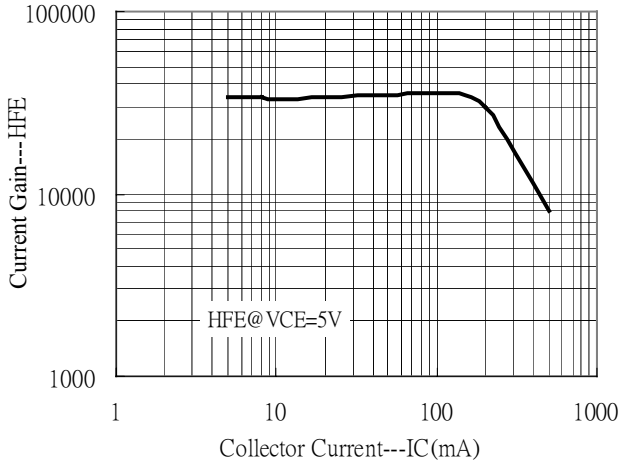
*Pulse Test: Pulse Width $\leq 380\mu s$, Duty Cycle $\leq 2\%$ **Ordering Information**

| Device | Package | Shipping | Marking |
|---------|--------------------|-----------------------|---------|
| BC517A3 | TO-92 (Pb-free) | 2000 pcs / Tape & Box | BC517 |

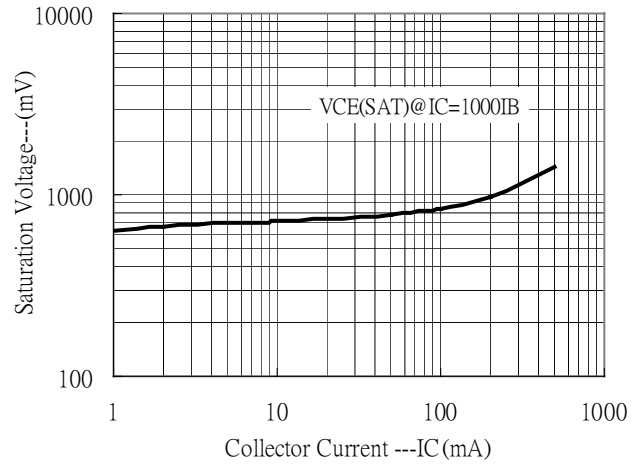


Characteristic Curves

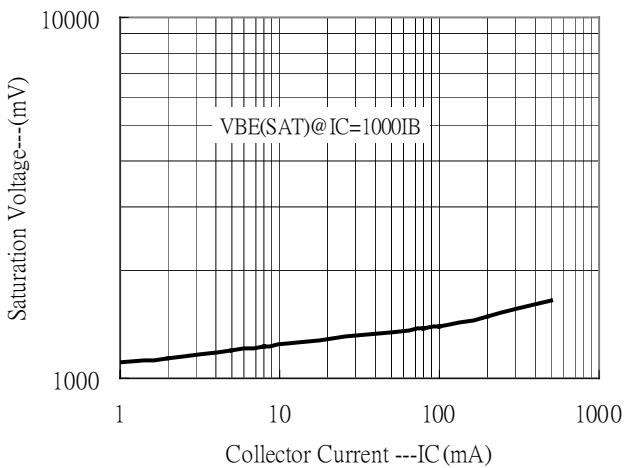
Current Gain vs Collector Current



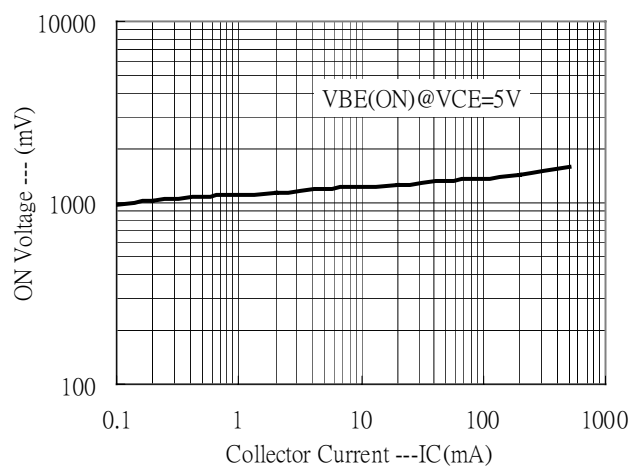
Saturation Voltage vs Collector Current



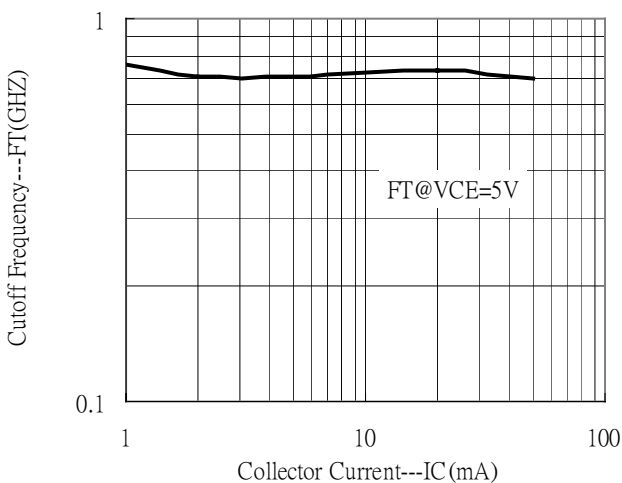
Saturation Voltage vs Collector Current



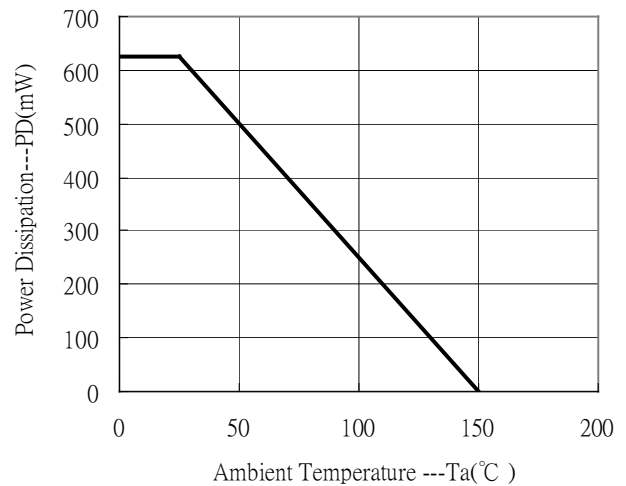
ON Voltage vs Collector Current



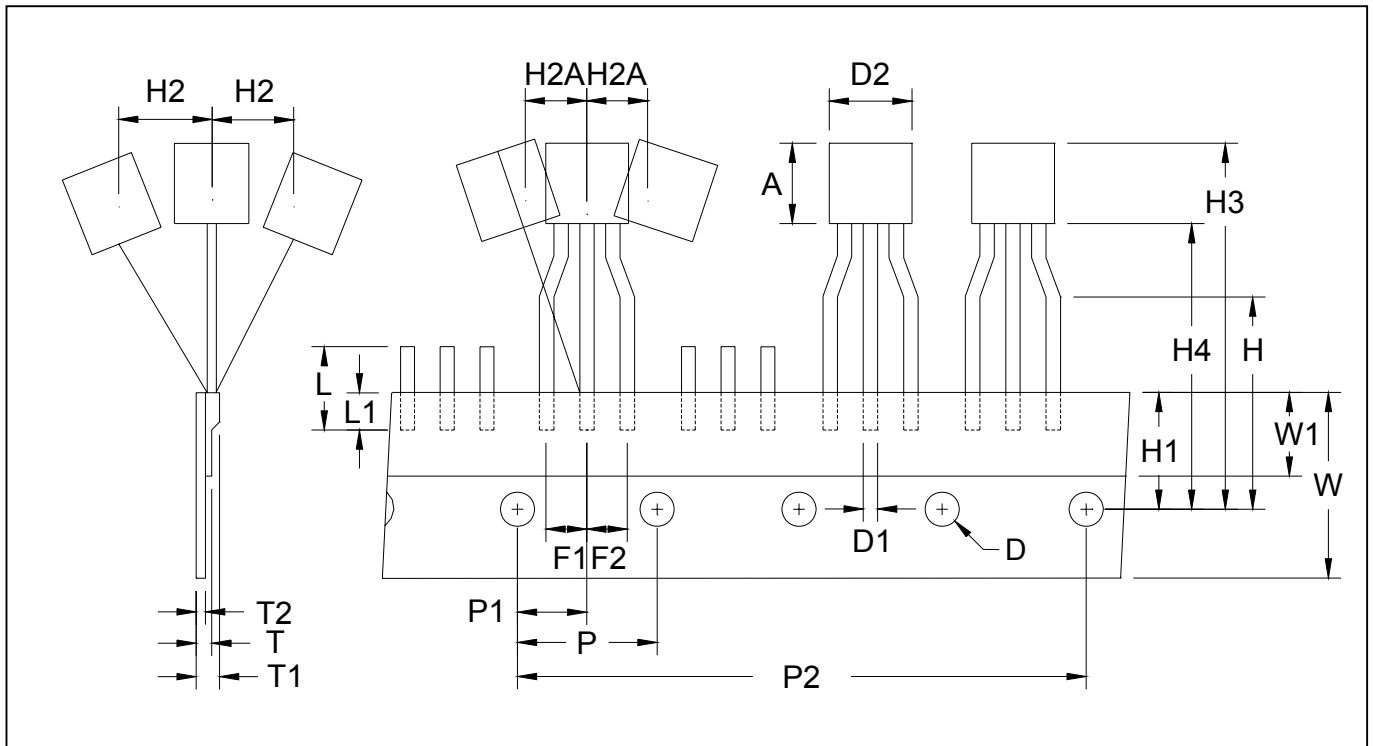
Cutoff Frequency vs Collector Current



Power Derating Curve

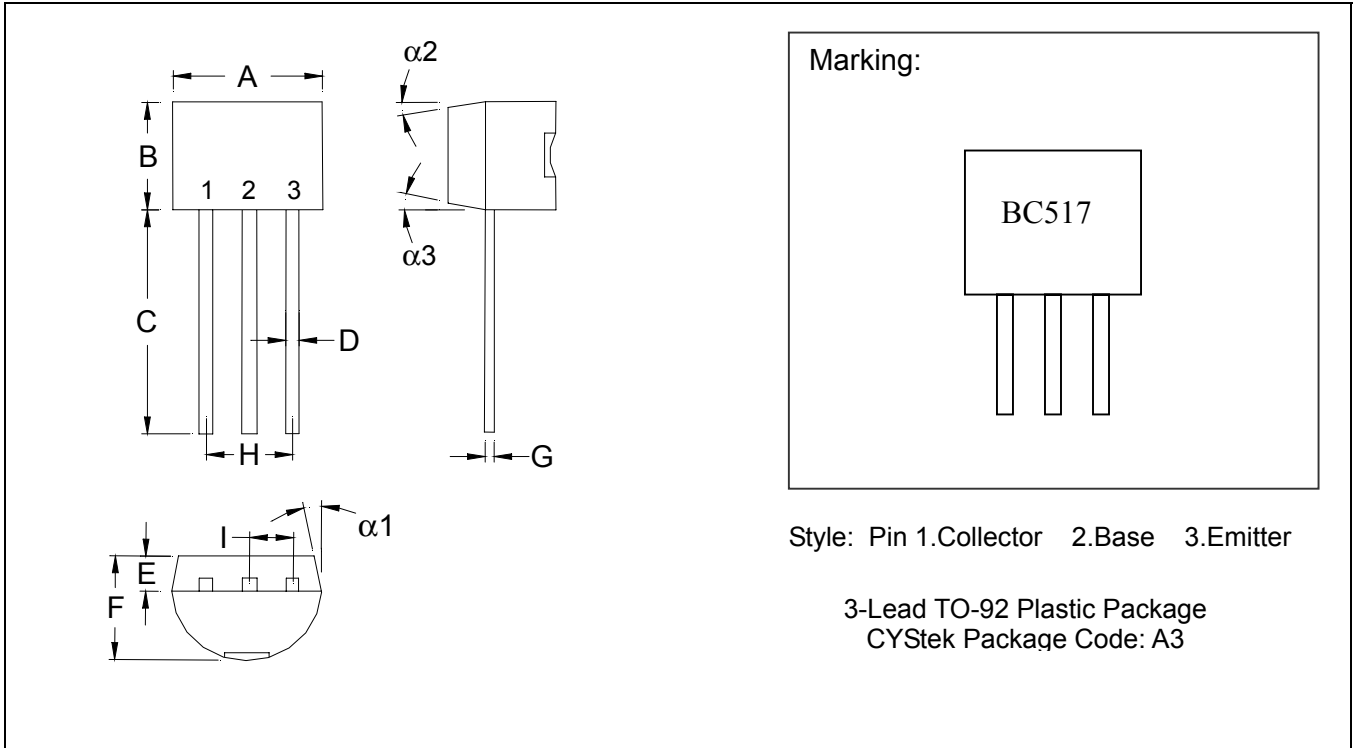


TO-92 Taping Outline



| DIM | Item | Millimeters | |
|-------|-------------------------------------|-------------|-------|
| | | Min. | Max. |
| A | Component body height | 4.33 | 4.83 |
| D | Tape Feed Diameter | 3.80 | 4.20 |
| D1 | Lead Diameter | 0.36 | 0.53 |
| D2 | Component Body Diameter | 4.33 | 4.83 |
| F1,F2 | Component Lead Pitch | 2.40 | 2.90 |
| F1,F2 | F1-F2 | - | ±0.3 |
| H | Height Of Seating Plane | 15.50 | 16.50 |
| H1 | Feed Hole Location | 8.50 | 9.50 |
| H2 | Front To Rear Deflection | - | 1 |
| H2A | Deflection Left Or Right | - | 1 |
| H3 | Component Height | - | 27 |
| H4 | Feed Hole To Bottom Of Component | - | 21 |
| L | Lead Length After Component Removal | - | 11 |
| L1 | Lead Wire Enclosure | 2.50 | - |
| P | Feed Hole Pitch | 12.50 | 12.90 |
| P1 | Center Of Seating Plane Location | 5.95 | 6.75 |
| P2 | 4 Feed Hole Pitch | 50.30 | 51.30 |
| T | Over All Tape Thickness | - | 0.55 |
| T1 | Total Taped Package Thickness | - | 1.42 |
| T2 | Carrier Tape Thickness | 0.36 | 0.68 |
| W | Tape Width | 17.50 | 19.00 |
| W1 | Adhesive Tape Width | 5.00 | 7.00 |
| - | 20 pcs Pitch | 253 | 255 |

TO-92 Dimension



*: Typical

| DIM | Inches | | Millimeters | | DIM | Inches | | Millimeters | |
|-----|--------|---------|-------------|-------|------------|--------|---------|-------------|-------|
| | Min. | Max. | Min. | Max. | | Min. | Max. | Min. | Max. |
| A | 0.1704 | 0.1902 | 4.33 | 4.83 | G | 0.0142 | 0.0220 | 0.36 | 0.56 |
| B | 0.1704 | 0.1902 | 4.33 | 4.83 | H | - | *0.1000 | - | *2.54 |
| C | 0.5000 | - | 12.70 | - | I | - | *0.0500 | - | *1.27 |
| D | 0.0142 | 0.0220 | 0.36 | 0.56 | $\alpha 1$ | - | *5° | - | *5° |
| E | - | *0.0500 | - | *1.27 | $\alpha 2$ | - | *2° | - | *2° |
| F | 0.1323 | 0.1480 | 3.36 | 3.76 | $\alpha 3$ | - | *2° | - | *2° |

Notes: 1.Controlling dimension: millimeters.
 2.Maximum lead thickness includes lead finish thickness, and minimum lead thickness is the minimum thickness of base material.
 3.If there is any question with packing specification or packing method, please contact your local CYStek sales office.

Material:

- Lead: 42 Alloy ; solder plating
- Mold Compound: Epoxy resin family, flammability solid burning class: UL94V-0

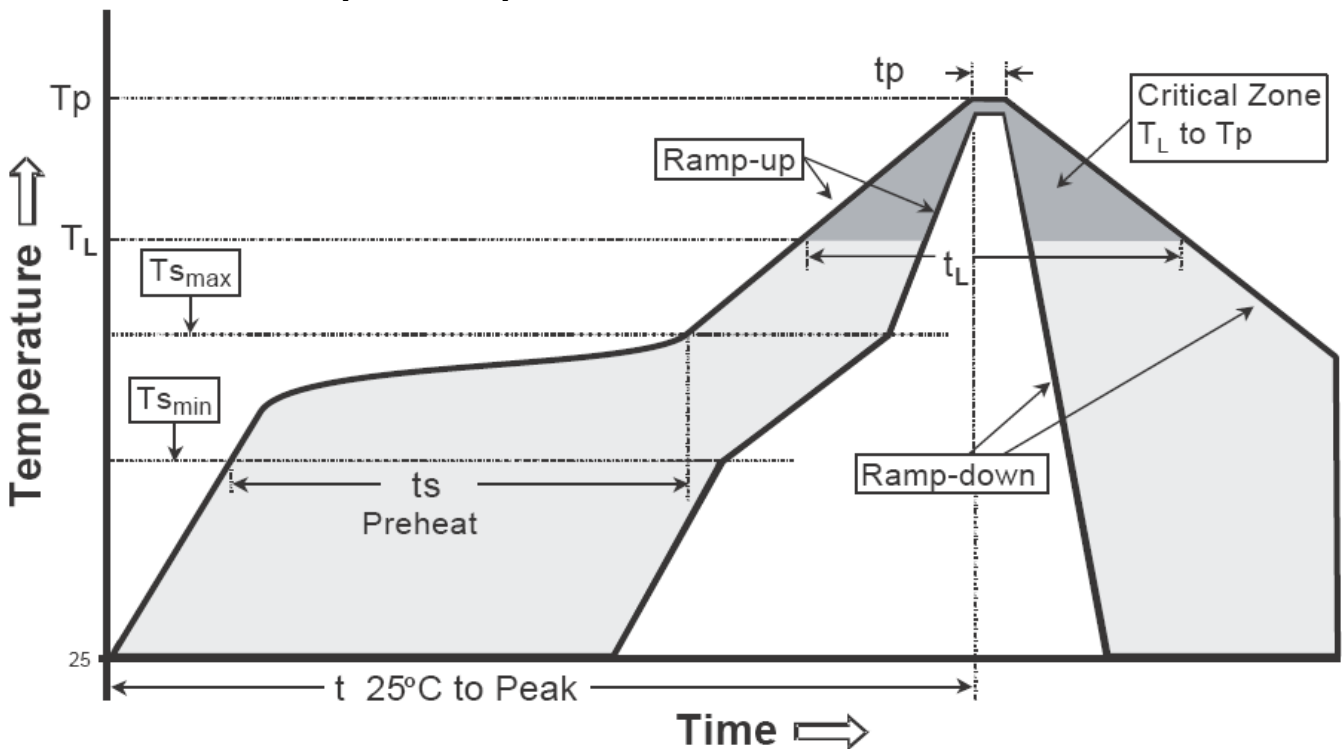
Recommended Storage Condition

- Temperature : 10 ~ 35 °C
- Humidity : 30 ~ 60 %RH

Recommended wave soldering condition

| Product | Peak Temperature | Soldering Time |
|-----------------|------------------|-----------------|
| Pb-free devices | 260 +0/-5 °C | 5 +1/-1 seconds |

Recommended temperature profile for IR reflow



| Profile feature | Sn-Pb eutectic Assembly | Pb-free Assembly |
|--|-------------------------|------------------|
| Average ramp-up rate (Tsmax to Tp) | 3°C/second max. | 3°C/second max. |
| Preheat | | |
| -Temperature Min(Ts min) | 100°C | 150°C |
| -Temperature Max(Ts max) | 150°C | 200°C |
| -Time(ts min to ts max) | 60-120 seconds | 60-180 seconds |
| Time maintained above: | | |
| -Temperature (TL) | 183°C | 217°C |
| - Time (tL) | 60-150 seconds | 60-150 seconds |
| Peak Temperature(TP) | 240 +0/-5 °C | 260 +0/-5 °C |
| Time within 5°C of actual peak temperature(tp) | 10-30 seconds | 20-40 seconds |
| Ramp down rate | 6°C/second max. | 6°C/second max. |
| Time 25 °C to peak temperature | 6 minutes max. | 8 minutes max. |

Note : All temperatures refer to topside of the package, measured on the package body surface.

Important Notice:

- All rights are reserved. Reproduction in whole or in part is prohibited without the prior written approval of CYStek.
- CYStek reserves the right to make changes to its products without notice.
- CYStek **semiconductor products are not warranted to be suitable for use in Life-Support Applications, or systems.**
- CYStek assumes no liability for any consequence of customer product design, infringement of patents, or application assistance.