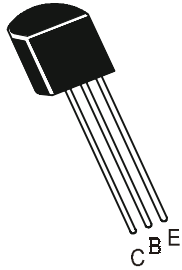


PNP SILICON PLANAR EPITAXIAL TRANSISTORS

BC559, B, C
BC560, B, C



TO-92
Plastic Package

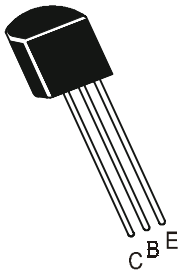
Low Noise Transistors

ABSOLUTE MAXIMUM RATINGS(Ta=25°C unless specified otherwise)

DESCRIPTION	SYMBOL	BC559	BC560	UNITS
Collector Emitter Voltage	V_{CEO}	30	45	V
Collector Base Voltage	V_{CBO}	30	50	V
Emitter Base Voltage	V_{EBO}	5	5	V
Collector Current Continuous	I_C		100	mA
Power Dissipation @ Tc=25°C	P_D		625	mW
Derate Above 25°C			5	mW/°C
Power Dissipation @ Tc=25°C	P_D		1.5	W
Derate Above 25°C			12	mW/°C
Operating And Storage Junction Temperature Range	T_j, T_{stg}		-55 to +150	°C
THERMAL RESISTANCE				
Junction to ambient	$R_{th(j-a)}$		200	°C/W
Junction to case	$R_{th(j-c)}$		83.3	°C/W

PNP SILICON PLANAR EPITAXIAL TRANSISTORS

BC559, B, C
BC560, B, C



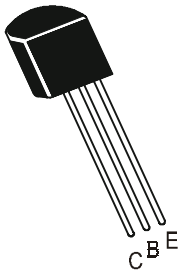
TO-92
Plastic Package

ELECTRICAL CHARACTERISTICS (Ta=25°C Unless Specified Otherwise)

DESCRIPTION	SYMBOL	TEST CONDITION	MIN	TYP	MAX	UNITS
Collector Emitter Voltage	BC559	V_{CEO} $I_C=10mA, I_B=0$	30			V
	BC560		45			V
Collector Base Voltage	BC559	V_{CBO} $I_C=10\mu A, I_E=0$	30			V
	BC560		50			V
Emitter Base Voltage		V_{EBO} $I_E=10\mu A, I_C=0$	5			V
Collector Cut off Current		I_{CBO} $V_{CB}=30V, I_E=0$			15	nA
		$V_{CB}=30V, I_E=0$			5	μA
		$T_a=+125^\circ C$				
Emitter Cut off Current		I_{EBO} $V_{CE}=40V, I_C=0$			15	nA
DC Current Gain	B	$V_{CE}=5V, I_C=10\mu A$	100			
	C		100			
	B	$V_{CE}=5V, I_C=2mA$	180		460	
	C		380		800	
	BC559, BC560		120		800	
Collector Emitter Saturation Voltage		$V_{CE(sat)}$ $I_C=10mA, I_B=0.5mA$			0.25	V
		$I_C=100mA, I_B=$ see note 1			0.6	V
		$I_C=100mA, I_B=5mA^*$		0.25		V

PNP SILICON PLANAR EPITAXIAL TRANSISTORS

BC559, B, C
BC560, B, C



TO-92
Plastic Package

DESCRIPTION	SYMBOL	TEST CONDITION	MIN	TYP	MAX	UNITS
Base Emitter Saturation Voltage	$V_{BE(sat)}$	$I_C=100mA, I_B=5mA^*$		1.1		V
Base Emitter On Voltage	$V_{BE(on)}$	$I_C=10\mu A, V_{CE}=5V$		0.52		V
		$I_C=100\mu A, V_{CE}=5V$		0.55		V
		$I_C=2mA, V_{CE}=5V$	0.55		0.70	V

ELECTRICAL CHARACTERISTICS (Ta=25°C Unless Otherwise Specified)

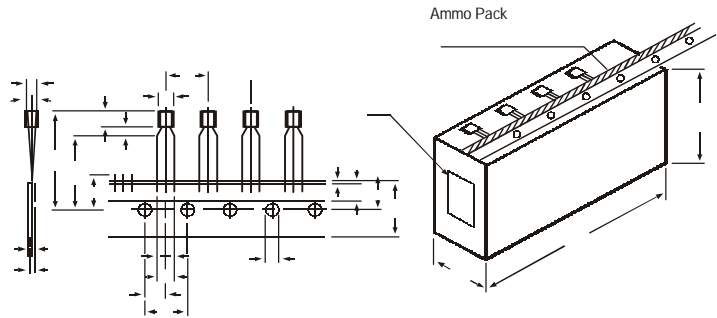
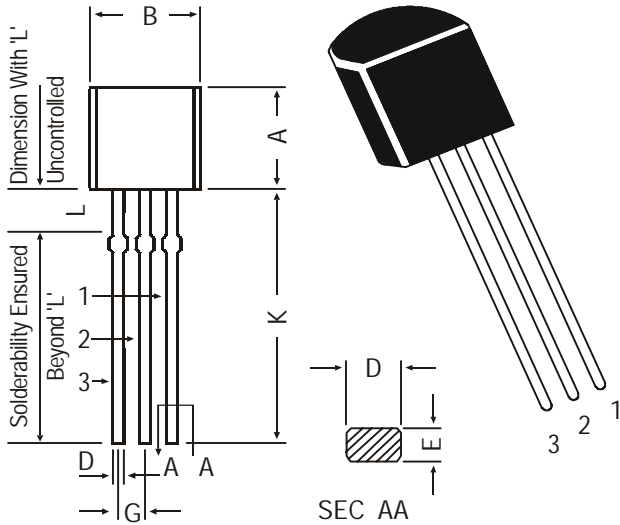
DESCRIPTION	SYMBOL	TEST CONDITION	MIN	TYP	MAX	UNITS
DYNAMICS CHARACTERISTICS						
Transition Frequency	f_T	$I_C=10mA, V_{CE}=5V$ $f=100MHz$		250		MHz
Collector Base Capacitance	C_{cbo}	$V_{CB}=10V, I_E=0,$ $f=1MHz$		2.5		pF
Noise Figure	NF_1	$V_{CE}=5V, I_C=200\mu A$ $R_S=2KW, f=30Hz$ To 15KHz			2.0	dB
	NF_2	$V_{CE}=5V, I_C=200\mu A$ $R_S=100KW, f=1.0KHz$ $f=200Hz$			10	dB
Small Signal Current Gain	B	$ h_{fe} $	$V_{CE}=5V, I_C=2mA$	240		500
	C		$f=1kHz$	450		900

BC559, B, C
BC560, B, C

TO-92
Plastic Package

TO-92 Plastic Package

TO-92 Transistors on Tape and Ammo Pack

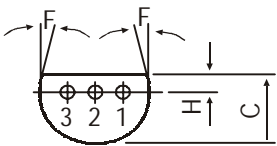


All dimensions in mm unless specified otherwise

ITEM	SYMBOL	SPECIFICATION				REMARKS
		MIN.	NOM.	MAX.	TOL.	
BODY WIDTH	A1	4.0		4.8		
BODY HEIGHT	A	4.8		5.2		
BODY THICKNESS	T	3.9		4.2		
PITCH OF COMPONENT	P		12.7		±1	
FEED HOLE PITCH	Po		12.7		±0.3	CUMULATIVE PITCH ERROR 1.0 mm/20 PITCH
FEED HOLE CENTRE TO COMPONENT CENTRE	P2		6.35		±0.4	TO BE MEASURED AT BOTTOM OF CLINCH
DISTANCE BETWEEN OUTER LEADS	F		5.08		+0.6 -0.2	
COMPONENT ALIGNMENT	Δh		0	1		AT TOP OF BODY
TAPE WIDTH	W		18		±0.5	
HOLD-DOWN TAPE WIDTH	Wo		6		±0.2	
HOLE POSITION	W1		9		+0.7 -0.5	
HOLD-DOWN TAPE POSITION	W2		0.5		±0.2	
LEAD WIRE CLINCH HEIGHT	Ho		16		±0.5	
COMPONENT HEIGHT	H1			23.25		
LENGTH OF SNIPPED LEADS	L			11.0		
FEED HOLE DIAMETER	Do		4		±0.2	
TOTAL TAPE THICKNESS	t			1.2		
LEAD - TO - LEAD DISTANCE F1	F2		2.54		+0.4 -0.1	11 0.3 - 0.6
CLINCH HEIGHT	H2			3		
PULL - OUT FORCE	(P)	6N				

NOTES

1. MAXIMUM ALIGNMENT DEVIATION BETWEEN LEADS NOT TO BE GREATER THAN 0.2 mm.
2. MAXIMUM NON-CUMULATIVE VARIATION BETWEEN TAPE FEED HOLES SHALL NOT EXCEED 1 mm IN 20 PITCHES.
3. HOLDDOWN TAPE NOT TO EXCEED BEYOND THE EDGE(S) OF CARRIER TAPE AND THERE SHALL BE NO EXPOSURE OF ADHESIVE.
4. NO MORE THAN 3 CONSECUTIVE MISSING COMPONENTS ARE PERMITTED.
5. A TAPE TRAILER, HAVING AT LEAST THREE FEED HOLES ARE REQUIRED AFTER THE LAST COMPONENT.
6. SPLICES SHALL NOT INTERFERE WITH THE SPROCKET FEED HOLES.



PIN CONFIGURATION
1. EMITTER
2. BASE
3. COLLECTOR

DIM	MIN.	MAX.
A	4.32	5.33
B	4.45	5.20
C	3.18	4.19
D	0.41	0.55
E	0.35	0.50
F	5 DEG	
G	1.14	1.40
H	1.14	1.53
K	12.70	—
L	1.982	2.082

All dimensions in mm.

Disclaimer

The product information and the selection guides facilitate selection of the CDIL's Discrete Semiconductor Device(s) best suited for application in your product(s) as per your requirement. It is recommended that you completely review our Data Sheet(s) so as to confirm that the Device(s) meet functionality parameters for your application. The information furnished in the Data Sheet and on the CDIL Web Site/CD is believed to be accurate and reliable. CDIL however, does not assume responsibility for inaccuracies or incomplete information. Furthermore, CDIL does not assume liability whatsoever, arising out of the application or use of any CDIL product; neither does it convey any license under its patent rights nor rights of others. These products are not designed for use in life saving/support appliances or systems. CDIL customers selling these products (either as individual Discrete Semiconductor Devices or incorporated in their end products), in any life saving/support appliances or systems or applications do so at their own risk and CDIL will not be responsible for any damages resulting from such sale(s).

CDIL strives for continuous improvement and reserves the right to change the specifications of its products without prior notice.



CDIL is a registered Trademark of

Continental Device India Limited

C-120 Naraina Industrial Area, New Delhi 110 028, India.

Telephone + 91-11-579 6150 Fax + 91-11-579 9569, 579 5290

e-mail sales@cdil.com www.cdil.com