

## Features

- Next generation, high-quality, low-cost, mono headset solution with extremely low-cost eBOM
- World's longest talk time: up to 18 hours time from a small 120mAh battery
- Proximity Pairing (heaset initiated pairing)
- Advanced Multipoint
- Programmable Audio Prompts
- Built-in echo and noise reduction
- Integrated CSR AuriStream<sup>®</sup> low-power codec
- Support for Secure Simple Pairing
- Best-in-class Bluetooth radio with 7.5dBm transmit power and -92dBm receive sensitivity
- Pin compatible with BlueVox2 QFN
- Configurable mono headset software
- HFP v1.5 and HSP v1.1 support
- Integrated 1.5V and 1.9V linear regulators
- Integrated switch-mode regulator
- Integrated 150mA lithium battery charger
- Integrated high-quality mono codec
- 48-lead 7 x 7 x 0.9mm, 0.5mm pitch QFN
- Green (RoHS compliant and no antimony or halogenated flame retardants)
- Complete BC6130 low-cost mono headset solution development kit, includes example design, order code DK-BC-6130-1A

## General Description

BC6130<sup>™</sup> QFN is a product from CSR's Connectivity Centre. It is a low-cost fully featured ROM IC solution for mono headsets with extremely low power consumption. It contains a Bluetooth radio, baseband, DAC/ADC, AuriStream codec, linear regulators, switch-mode power supply and battery charger in a compact QFN package for low-cost designs.

BC6130 QFN includes a configurable echo and noise reduction feature in hardware which reduces headset echo and wind noise allowing the headset user to be heard more clearly. BC6130 QFN can connect to 2 phones simultaneously.

## BlueCore<sup>®</sup> BC6130<sup>™</sup> QFN

### BC6130 Low-cost Mono Headset Solution

### Fully Qualified Single-chip

### Bluetooth<sup>®</sup> v2.1 + EDR system

#### Production Information

BC6130A04

Issue 2

## Applications

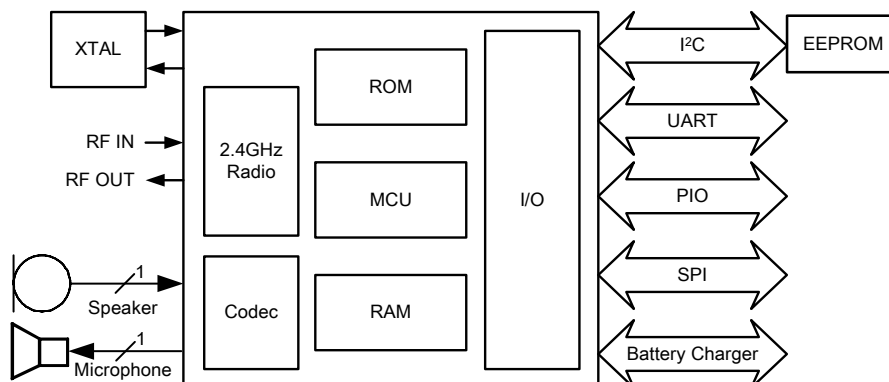
- BC6130 low-cost mono headset solution

BC6130 QFN supports Secure Simple Pairing which simplifies the pairing process for users.

The device incorporates auto-calibration and BIST routines to simplify development, type approval and production test.

BC6130 QFN has been designed to reduce the number of external components required which ensures production costs are minimised.

BC6130 QFN includes AuriStream, which offers significant power reduction over the CVSD-based system when used at both ends of the link.



## Document History

Revision	Date	Change Reason
1	10 JUN 09	Original publication of this document.
2	08 JUL 09	Production Information. Power consumption figures confirmed. Tape and Reel information updated for clarity If you have any comments about this document, email <a href="mailto:comments@csr.com">comments@csr.com</a> giving the number, title and section with your feedback.

深圳市城至微电子有限公司  
电话: 0755-83328582  
手机: 13510662515  
<http://www.czwtech.com>

## Status Information

The status of this Data Sheet is **Production Information**.

CSR Product Data Sheets progress according to the following format:

### Advance Information

Information for designers concerning CSR product in development. All values specified are the target values of the design. Minimum and maximum values specified are only given as guidance to the final specification limits and must not be considered as the final values.

All detailed specifications including pinouts and electrical specifications may be changed by CSR without notice.

### Pre-production Information

Pinout and mechanical dimension specifications finalised. All values specified are the target values of the design. Minimum and maximum values specified are only given as guidance to the final specification limits and must not be considered as the final values.

All electrical specifications may be changed by CSR without notice.

### Production Information

Final Data Sheet including the guaranteed minimum and maximum limits for the electrical specifications.

Production Data Sheets supersede all previous document versions.

### Life Support Policy and Use in Safety-critical Applications

CSR's products are not authorised for use in life-support or safety-critical applications. Use in such applications is done at the sole discretion of the customer. CSR will not warrant the use of its devices in such applications.

### CSR Green Semiconductor Products and RoHS Compliance

BC6130 QFN devices meet the requirements of Directive 2002/95/EC of the European Parliament and of the Council on the Restriction of Hazardous Substance (RoHS).

BC6130 QFN devices are also free from halogenated or antimony trioxide-based flame retardants and other hazardous chemicals. For more information, see CSR's *Environmental Compliance Statement for CSR Green Semiconductor Products*.

### Trademarks, Patents and Licences

Unless otherwise stated, words and logos marked with <sup>™</sup> or <sup>®</sup> are trademarks registered or owned by CSR plc or its affiliates. Bluetooth<sup>®</sup> and the Bluetooth logos are trademarks owned by Bluetooth SIG, Inc. and licensed to CSR. Other products, services and names used in this document may have been trademarked by their respective owners.

The publication of this information does not imply that any license is granted under any patent or other rights owned by CSR plc and/or its affiliates.

CSR reserves the right to make technical changes to its products as part of its development programme.

While every care has been taken to ensure the accuracy of the contents of this document, CSR cannot accept responsibility for any errors.

Refer to [www.csrsupport.com](http://www.csrsupport.com) for compliance and conformance to standards information.

# Contents

<b>1</b>	<b>Device Details</b> .....	<b>8</b>
<b>2</b>	<b>Functional Block Diagram</b> .....	<b>9</b>
<b>3</b>	<b>Package Information</b> .....	<b>10</b>
3.1	Pinout Diagram .....	10
3.2	Device Terminal Functions .....	11
3.3	Package Dimensions .....	14
3.4	PCB Design and Assembly Considerations .....	15
3.5	Typical Solder Reflow Profile .....	15
<b>4</b>	<b>Bluetooth Modem</b> .....	<b>16</b>
4.1	RF Ports .....	16
4.1.1	RF_N and RF_P .....	16
4.2	RF Receiver .....	16
4.2.1	Low Noise Amplifier .....	16
4.2.2	RSSI Analogue to Digital Converter .....	16
4.3	RF Transmitter .....	17
4.3.1	IQ Modulator .....	17
4.3.2	Power Amplifier .....	17
4.4	Bluetooth Radio Synthesiser .....	17
4.5	Baseband .....	17
4.5.1	Burst Mode Controller .....	17
4.5.2	Physical Layer Hardware Engine .....	17
4.6	AuriStream Codec .....	17
4.7	Basic Rate Modem .....	18
4.8	Enhanced Data Rate Modem .....	18
<b>5</b>	<b>Clock Generation</b> .....	<b>19</b>
5.1	Clock Architecture .....	19
5.2	Input Frequencies and PS Key Settings .....	19
5.3	Crystal Oscillator: XTAL_IN and XTAL_OUT .....	19
5.3.1	Load Capacitance .....	21
5.3.2	Frequency Trim .....	21
5.3.3	Transconductance Driver Model .....	22
5.3.4	Negative Resistance Model .....	22
5.3.5	Crystal PS Key Settings .....	22
5.4	External 32kHz Clock .....	22
<b>6</b>	<b>Bluetooth Stack Microcontroller</b> .....	<b>24</b>
6.1	Programmable I/O (PIO) Parallel Ports .....	24
<b>7</b>	<b>Memory Interface and Management</b> .....	<b>25</b>
7.1	Memory Management Unit .....	25
7.2	System RAM .....	25
7.3	Internal ROM .....	25
<b>8</b>	<b>Serial Interfaces</b> .....	<b>26</b>
8.1	UART Interface .....	26
8.1.1	UART Configuration While Reset is Active .....	27
8.2	Programming and Debug Interface .....	27
8.2.1	Instruction Cycle .....	28
8.2.2	Multi-slave Operation .....	28
8.3	I <sup>2</sup> C Interface .....	28
<b>9</b>	<b>Audio Interface</b> .....	<b>29</b>
9.1	Audio Input and Output .....	29
9.2	Mono Audio Codec Block Diagram .....	29

9.2.1	ADC .....	29
9.2.2	ADC Digital Gain .....	29
9.2.3	ADC Analogue Gain .....	30
9.2.4	DAC .....	30
9.2.5	DAC Digital Gain .....	31
9.2.6	DAC Analogue Gain .....	31
9.2.7	Microphone Input .....	31
9.2.8	Line Input .....	34
9.2.9	Output Stage .....	35
9.2.10	Integrated Digital Filter .....	36
9.2.11	Side Tone .....	37
<b>10</b>	<b>Power Control and Regulation .....</b>	<b>38</b>
10.1	Power Sequencing .....	38
10.2	External Voltage Source .....	38
10.3	Switch-mode Regulator .....	39
10.4	High-voltage Linear Regulator .....	39
10.5	Low-voltage Linear Regulator .....	39
10.6	Voltage Regulator Enable Pins .....	39
10.7	Battery Charger .....	40
10.8	LED Drivers .....	40
10.9	Reset, RST# .....	41
10.9.1	Digital Pin States on Reset .....	42
10.9.2	Status after Reset .....	42
<b>11</b>	<b>Example Application Schematic .....</b>	<b>43</b>
<b>12</b>	<b>Electrical Characteristics .....</b>	<b>44</b>
12.1	ESD Precautions .....	44
12.2	Absolute Maximum Ratings .....	44
12.3	Recommended Operating Conditions .....	44
12.4	Input/Output Terminal Characteristics .....	45
12.4.1	High-voltage Linear Regulator .....	45
12.4.2	Switch-mode Regulator .....	46
12.4.3	Low-voltage Linear Regulator .....	47
12.4.4	Battery Charger .....	48
12.4.5	Reset .....	49
12.4.6	Regulator Enable .....	49
12.4.7	Digital Terminals .....	50
12.4.8	LED Driver Pads .....	51
12.4.9	Auxiliary ADC .....	51
12.4.10	Mono Codec: Analogue to Digital Converter .....	52
12.4.11	Mono Codec: Digital to Analogue Converter .....	53
12.4.12	Clocks .....	53
<b>13</b>	<b>Power Consumption .....</b>	<b>54</b>
<b>14</b>	<b>CSR Green Semiconductor Products and RoHS Compliance .....</b>	<b>55</b>
14.1	RoHS Statement .....	55
14.1.1	List of Restricted Materials .....	55
<b>15</b>	<b>CSR Bluetooth Software Stack .....</b>	<b>56</b>
15.1	BC6130 Low-cost Mono Headset Solution Development Kit .....	56
15.2	BC6130 Low-cost Mono Headset Solution Software (BC6130A04) .....	56
15.3	Advanced Multipoint Support .....	56
15.4	Programmable Audio Prompts .....	57
15.5	Proximity Pairing .....	57
15.5.1	Proximity Pairing Configuration .....	57
<b>16</b>	<b>Ordering Information .....</b>	<b>58</b>
16.1	BC6130 Low-cost Mono Headset Solution Development Kit Ordering Information .....	58

<b>17</b>	<b>Tape and Reel Information</b> .....	<b>59</b>
17.1	Tape Orientation .....	59
17.2	Tape Dimensions .....	60
17.3	Reel Information .....	61
17.4	Moisture Sensitivity Level .....	61
<b>18</b>	<b>Document References</b> .....	<b>62</b>
	<b>Terms and Definitions</b> .....	<b>63</b>

## List of Figures

Figure 2.1	Functional Block Diagram .....	9
Figure 3.1	Device Pinout .....	10
Figure 4.1	Simplified Circuit RF_N and RF_P .....	16
Figure 4.2	BDR and EDR Packet Structure .....	18
Figure 5.1	Clock Architecture .....	19
Figure 5.2	Crystal Driver Circuit .....	20
Figure 5.3	Crystal Equivalent Circuit .....	20
Figure 8.1	Break Signal .....	26
Figure 8.2	Example EEPROM Connection .....	28
Figure 9.1	Mono Codec Audio Input and Output Stages .....	29
Figure 9.2	ADC Analogue Amplifier Block Diagram .....	30
Figure 9.3	Microphone Biasing .....	32
Figure 9.4	Differential Input .....	35
Figure 9.5	Single-ended Input .....	35
Figure 9.6	Speaker Output .....	35
Figure 10.1	Voltage Regulator Configuration .....	38
Figure 10.2	LED Equivalent Circuit .....	41
Figure 11.1	Example Application Schematic .....	43
Figure 15.1	Programmable Audio Prompts in External I <sup>2</sup> C EEPROM .....	57
Figure 17.1	Tape Orientation .....	59
Figure 17.2	Tape Dimensions .....	60
Figure 17.3	Reel Dimensions .....	61

## List of Tables

Table 4.1	Data Rate Schemes .....	18
Table 5.1	Crystal Specification .....	20
Table 8.1	Possible UART Settings .....	26
Table 8.2	Standard Baud Rates .....	27
Table 8.3	Instruction Cycle for a SPI Transaction .....	28
Table 9.1	ADC Digital Gain Rate Selection .....	30
Table 9.2	DAC Digital Gain Rate Selection .....	31
Table 9.3	DAC Analogue Gain Rate Selection .....	31
Table 9.4	Voltage Output Steps .....	33
Table 9.5	Current Output Steps .....	34
Table 10.1	BC6130 QFN Voltage Regulator Enable Pins .....	40
Table 10.2	Pin States on Reset .....	42

## List of Equations

Equation 5.1	Load Capacitance .....	21
Equation 5.2	Trim Capacitance .....	21
Equation 5.3	Frequency Trim .....	21

Equation 5.4 Pullability .....	21
Equation 5.5 Transconductance Required for Oscillation .....	22
Equation 5.6 Equivalent Negative Resistance .....	22
Equation 8.1 Baud Rate .....	26
Equation 9.1 IIR Filter Transfer Function, $H(z)$ .....	37
Equation 9.2 IIR Filter plus DC Blocking Transfer Function, $H_{DC}(z)$ .....	37
Equation 10.1 LED Current .....	41
Equation 10.2 LED PAD Voltage .....	41

深圳市诚至微科技有限公司  
电话：0755-83328582  
手机：13510662515  
<http://www.czwtech.com>

# 1 Device Details

## Radio

- Common TX/RX terminal simplifies external matching; eliminates external antenna switch
- BIST minimises production test time
- Bluetooth v2.1 + EDR specification compliant

## Transmitter

- 7.5dBm RF transmit power with level control from on-chip 6-bit DAC over a dynamic range >30dB
- Class 2 and Class 3 support without the need for an external power amplifier or TX/RX switch

## Receiver

- Receiver sensitivity of -92dBm
- Integrated channel filters
- Digital demodulator for improved sensitivity and co-channel rejection
- Real-time digitised RSSI available on HCI interface
- Fast AGC for enhanced dynamic range

## Synthesiser

- Fully integrated synthesiser requires no external VCO, varactor diode, resonator or loop filter
- Compatible with crystals 16MHz to 26MHz

## Baseband and Software

- Internal ROM
- 48KB internal RAM, allows full-speed data transfer, mixed voice and data, and full piconet operation, including all EDR packet types
- Logic for forward error correction, header error control, access code correlation, CRC, demodulation, encryption bit stream generation, whitening and transmit pulse shaping; supports all mandatory Bluetooth v2.1 + EDR specification features including eSCO and AFH
- Transcoders for A-law,  $\mu$ -law and linear voice from host and A-law,  $\mu$ -law and CVSD voice over air
- AuriStream codec, offers significant power reduction over the CVSD-based system when used at both ends of the link
- Configurable mono headset ROM software to set-up headset features and UI
- Support for HFP v1.5, including three-way calling, and HSP v1.1
- Support for Bluetooth v2.1 + EDR specification Secure Simple Pairing
- Proximity Pairing (heaset initiated pairing)
- Advanced Multipoint support, allowing the headset to connect to 2 phones or 1 phone and a VoIP dongle
- Built-in echo and noise reduction hardware

## Auxiliary Features

- Crystal oscillator with built-in digital trimming
- Device can run in low power modes from an external 32.768kHz clock signal
- Power management includes digital shutdown, and wake up commands with an integrated low-power oscillator for ultra-low power Park/Sniff/Hold mode
- On-chip regulators: 1.5V output from 1.7V to 2.8V input and 1.9V output from 2.7V to 5.5V input
- On-chip high-efficiency switched-mode regulator; 1.5V output from 2.2V to 4.4V input
- Power-on-reset cell detects low supply voltage
- Arbitrary sequencing of power supplies allowed
- 10-bit ADC
- Battery charger with programmable current, 20 to 150mA, for lithium ion/polymer battery
- 2 LED drivers with faders

## Audio Codec

- 16-bit resolution mono codec
- Integrated amplifiers for driving 16 $\Omega$  speakers; no need for external components
- Support for single-ended speaker termination and line output
- Integrated low-noise microphone bias
- Digital enhancements to add bass cut and side tone
- Analogue enhancements to support single-ended speaker drive capability and reference availability

## Physical Interfaces

- Synchronous serial interface for system debugging
- I<sup>2</sup>C compatible interface used to communicate with an external EEPROM which contains all of the device configuration (PS Keys)
- UART interface with data rates up to 3Mbits/s

## Mono Headset Software

- Complete on-chip part to operate as a Bluetooth mono headset, including all the protocol layers:
  - HCI
  - RFCOMM
  - Bluetooth profiles

## Package Option

- 48-lead 7 x 7 x 0.9mm, 0.5mm pitch QFN described in this document



## 2 Functional Block Diagram

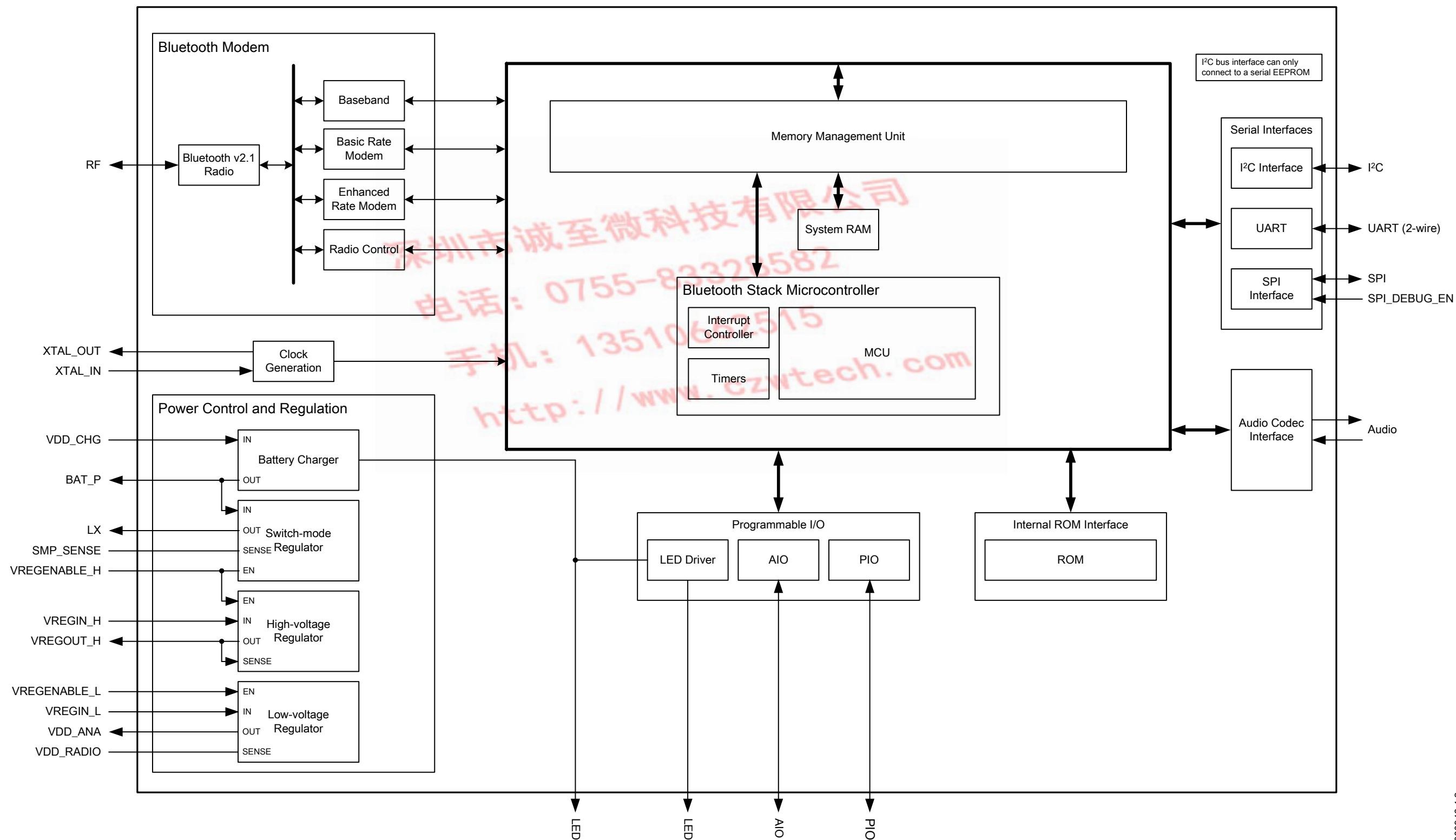


Figure 2.1: Functional Block Diagram

### 3 Package Information

#### 3.1 Pinout Diagram

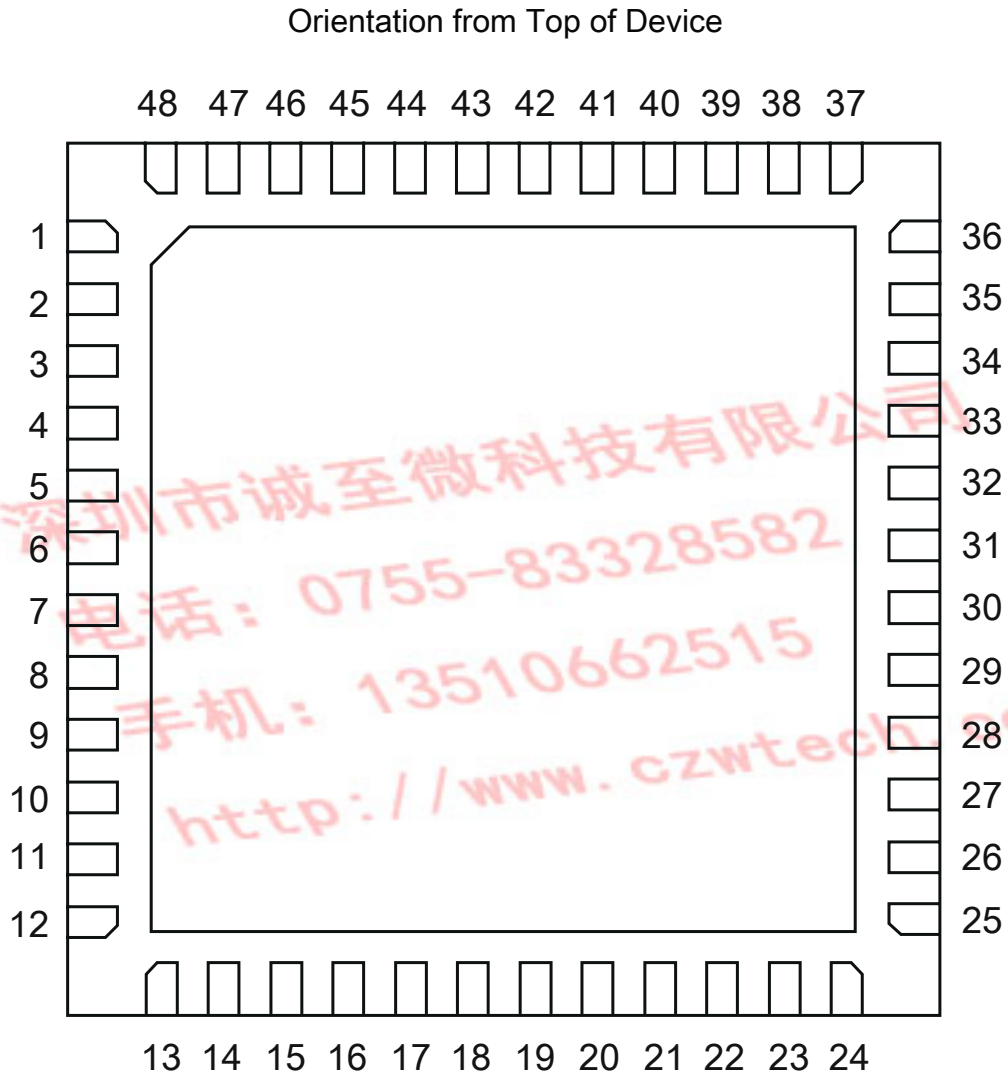


Figure 3.1: Device Pinout

### 3.2 Device Terminal Functions

Bluetooth Radio	Lead	Pad Type	Supply Domain	Description
RF_N	8	RF	VDD_RADIO	Transmitter output/switched receiver
RF_P	7	RF	VDD_RADIO	Complement of RF_N

Synthesiser and Oscillator	Lead	Pad Type	Supply Domain	Description
XTAL_IN	13	Analogue	VDD_ANA	For crystal or external clock input
XTAL_OUT	14	Analogue	VDD_ANA	Drive for crystal
LO_REF	15	Analogue	VDD_ANA	Reference voltage to decouple the synthesiser

UART Interface	Lead	Pad Type	Supply Domain	Description
UART_TX	19	Bidirectional with weak internal pull-up	VDD_PADS[0]	UART data output, active high
UART_RX	18	Bidirectional with weak internal pull-down	VDD_PADS[0]	UART data input, active high

SPI Interface	Lead	Pad Type	Supply Domain	Description
SPI_MOSI	38	Input, with weak internal pull-down	VDD_PADS[1]	SPI data input
SPI_CS#	40	Bidirectional with weak internal pull-down	VDD_PADS[1]	Chip select for SPI, active low
SPI_CLK	39	Bidirectional with weak internal pull-down	VDD_PADS[1]	SPI clock
SPI_MISO	41	Bidirectional with weak internal pull-down	VDD_PADS[1]	SPI data output
SPI_DEBUG_EN	42	Input with strong internal pull-down	VDD_PADS[1]	Enable for debug interface, active high. Must be enabled before SPI_CS#.

PIO Port	Lead	Pad Type	Supply Domain	Description
PIO[11]	27	Bidirectional with programmable strength internal pull-up/down	VDD_PADS[0]	Programmable input/output line
PIO[8]	44	Bidirectional with programmable strength internal pull-up/down	VDD_PADS[1]	Programmable input/output line
PIO[7]	45			
PIO[6]	46			
PIO[3]	21	Bidirectional with programmable strength internal pull-up/down	VDD_PADS[0]	Programmable input/output line
PIO[2]	22			
PIO[1]	23			
PIO[0]	24			
AIO[0]	17	Bidirectional	VDD_ANA	Programmable input/output line
AIO[1]	16			

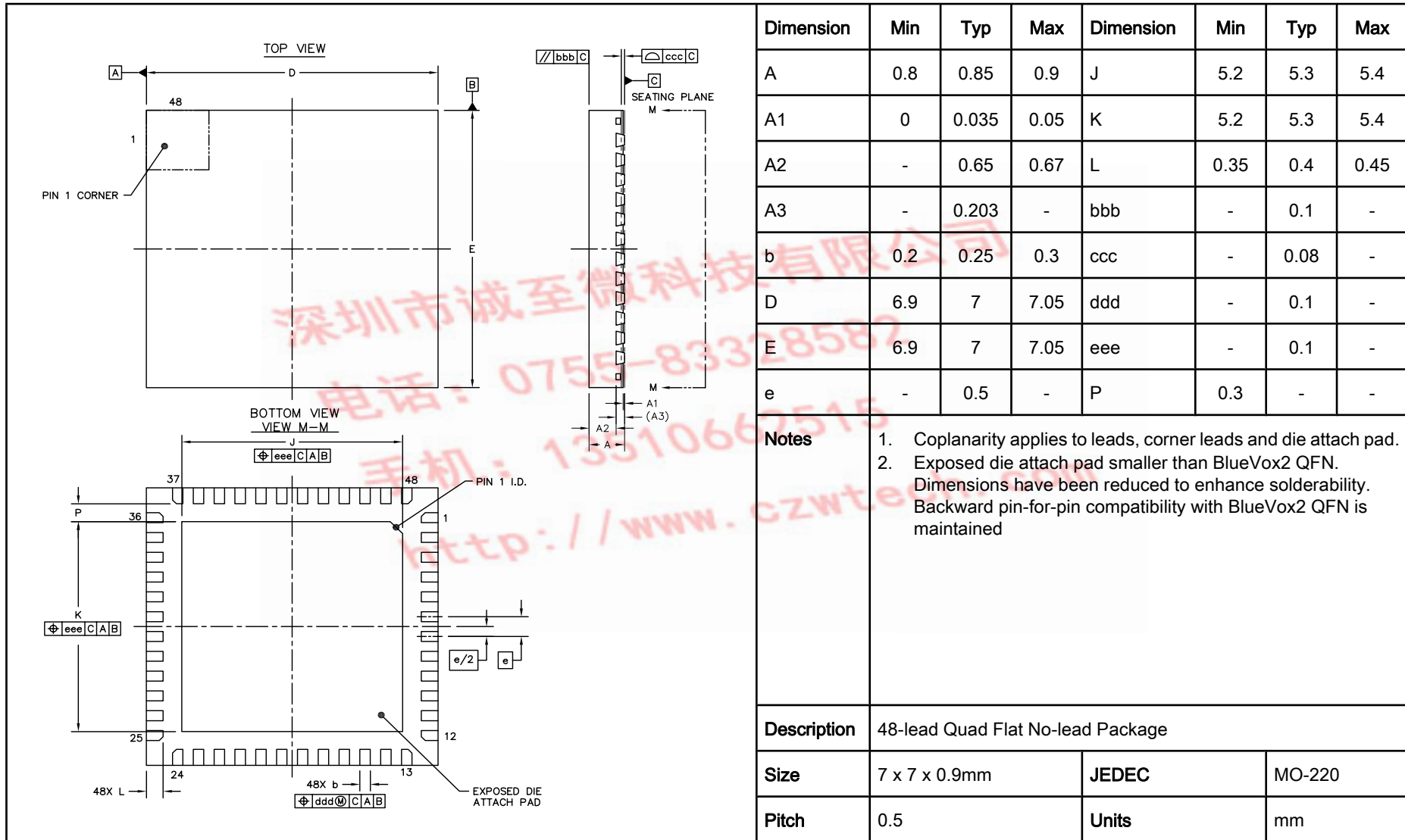
Test and Debug	Lead	Pad Type	Supply Domain	Description
RST#	26	Input with weak internal pull-up	VDD_PADS[0]	Reset if low. Input debounced so must be low for >5ms to cause a reset
TEST_EN	25	Input with strong internal pull-down	VDD_PADS[0]	For test purposes only (leave unconnected)

Codec	Lead	Pad Type	Supply Domain	Description
SPKR_N	3	Analogue	VDD_AUDIO	Speaker output, negative
SPKR_P	4	Analogue	VDD_AUDIO	Speaker output, positive
MIC_N	2	Analogue	VDD_AUDIO	Microphone input, negative
MIC_P	1	Analogue	VDD_AUDIO	Microphone input, positive
MIC_BIAS	47	Analogue	VDD_AUDIO, BAT_P	Microphone bias
AU_REF	5	Analogue	VDD_AUDIO	Decoupling of audio reference (for high quality audio)

LED Drivers	Lead	Pad Type	Supply Domain	Description
LED[1]	28	Open drain output	Open drain	LED driver
LED[0]	29	Open drain output	Open drain	LED driver

Power Supplies Control	Lead	Description
VREGENABLE_L	10	Take high to enable low-voltage regulator
VREGENABLE_H	33	Take high to enable both high-voltage regulator and switch-mode regulator
VREGIN_L	11	Input to internal low-voltage regulator
VREGIN_H	32	Input to internal high-voltage regulator
LX	35	Switch-mode power regulator output
VREGOUT_H	31	High-voltage regulator output
VDD_PADS[1]	43	Positive supply for digital input/output ports including PIO[8:6] and SPI interface
VDD_PADS[0]	20	Positive supply for digital input/output ports including PIO[11,3:0]
VDD_CORE	30	Positive supply for internal digital circuitry
VDD_RADIO	6	Positive supply for RF circuitry
VDD_ANA	12	Positive supply for analogue circuitry, AIO[1:0]. Output from internal 1.5V regulator
VDD_LO	9	Positive supply for local oscillator circuitry
VDD_AUDIO	48	Positive supply for audio
BAT_P	36	Lithium ion/polymer battery positive terminal. Battery charger output and input to switch-mode regulator
VDD_CHG	37	Lithium ion/polymer battery charger input
SMP_SENSE	34	Positive supply for switch-mode control circuitry
VSS	Exposed Pad	Ground connections

### 3.3 Package Dimensions



### 3.4 PCB Design and Assembly Considerations

This section lists recommendations to achieve maximum board-level reliability of the 7 x 7 x 0.9mm QFN 48-lead package:

- NSMD lands (lands smaller than the solder mask aperture) are preferred, because of the greater accuracy of the metal definition process compared to the solder mask process. With solder mask defined pads, the overlap of the solder mask on the land creates a step in the solder at the land interface, which can cause stress concentration and act as a point for crack initiation.
- CSR recommends that the PCB land pattern to be in accordance with IPC standard IPC-7351.
- Solder paste must be used during the assembly process.

### 3.5 Typical Solder Reflow Profile

See *Typical Solder Reflow Profile for Lead-free Devices* for information.

深圳市诚全微科技有限公司  
电话：0755-83328582  
手机：13510662515  
<http://www.czwtech.com>

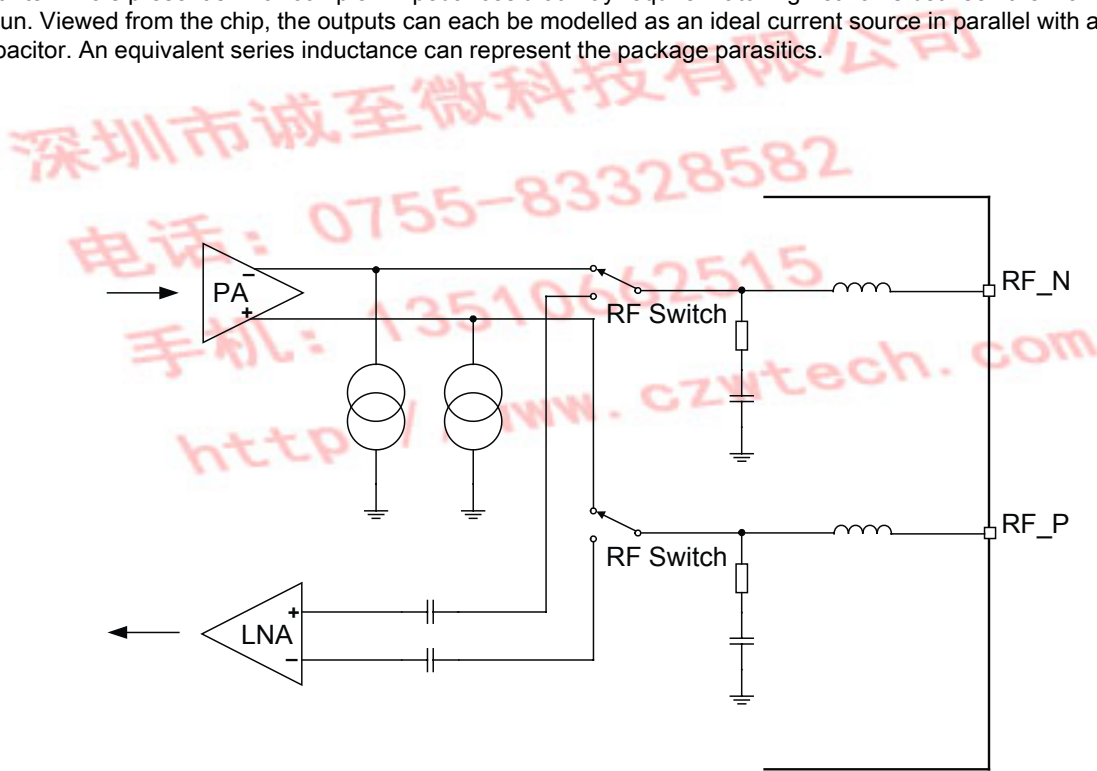
## 4 Bluetooth Modem

### 4.1 RF Ports

#### 4.1.1 RF\_N and RF\_P

RF\_N and RF\_P form a complementary balanced pair and are available for both transmit and receive. On transmit their outputs are combined using an external balun into the single-ended output required for the antenna. Similarly, on receive their input signals are combined internally.

Both terminals present similar complex impedances that may require matching networks between them and the balun. Viewed from the chip, the outputs can each be modelled as an ideal current source in parallel with a lossy capacitor. An equivalent series inductance can represent the package parasitics.



G-TW-0003349.2.2

BC6130 QFN Data Sheet

Figure 4.1: Simplified Circuit RF\_N and RF\_P

RF\_N and RF\_P require an external DC bias. The DC level must be set at VDD\_RADIO.

### 4.2 RF Receiver

The receiver features a near-zero IF architecture that allows the channel filters to be integrated onto the die.

The use of a digital FSK discriminator means that no discriminator tank is needed and its excellent performance in the presence of noise allows BC6130 QFN to exceed the Bluetooth requirements for co-channel and adjacent channel rejection.

For EDR, the demodulator contains an ADC which digitises the IF received signal. This information is then passed to the EDR modem.

#### 4.2.1 Low Noise Amplifier

The LNA operates in differential mode and takes its input from the shared RF port.

#### 4.2.2 RSSI Analogue to Digital Converter

The ADC implements fast AGC. The ADC samples the RSSI voltage on a slot-by-slot basis. The front-end LNA gain is changed according to the measured RSSI value, keeping the first mixer input signal within a limited range. This improves the dynamic range of the receiver, improving performance in interference limited environments.



## 4.3 RF Transmitter

### 4.3.1 IQ Modulator

The transmitter features a direct IQ modulator to minimise frequency drift during a transmit timeslot, which results in a controlled modulation index. Digital baseband transmit circuitry provides the required spectral shaping.

### 4.3.2 Power Amplifier

The internal PA has a maximum output power that allows BC6130 QFN to be used in Class 2 and Class 3 radios without an external RF PA.

## 4.4 Bluetooth Radio Synthesiser

The Bluetooth radio synthesiser is fully integrated onto the die with no requirement for an external VCO screening can, varactor tuning diodes, LC resonators or loop filter. The synthesiser is guaranteed to lock in sufficient time across the guaranteed temperature range to meet the Bluetooth v2.1 + EDR specification.

## 4.5 Baseband

### 4.5.1 Burst Mode Controller

During transmission the BMC constructs a packet from header information previously loaded into memory-mapped registers by the software and payload data/voice taken from the appropriate ring buffer in the RAM. During reception, the BMC stores the packet header in memory-mapped registers and the payload data in the appropriate ring buffer in RAM. This architecture minimises the intervention required by the processor during transmission and reception.

### 4.5.2 Physical Layer Hardware Engine

Dedicated logic performs the following:

- Forward error correction
- Header error control
- Cyclic redundancy check
- Encryption
- Data whitening
- Access code correlation
- Audio transcoding

Firmware performs the following voice data translations and operations:

- A-law/ $\mu$ -law/linear voice data (from host)
- A-law/ $\mu$ -law/CVSD (over the air)
- Voice interpolation for lost packets
- Rate mismatch correction

The hardware supports all optional and mandatory features of Bluetooth v2.1 + EDR specification including AFH and eSCO.

## 4.6 AuriStream Codec

The AuriStream codec is an ADPCM codec and works on the principle of transmitting the difference between the actual value of the signal and a prediction rather than the signal itself. Therefore, the information transmitted is reduced along with the power requirement. The quality of the output depends on the number of bits used to represent the sample.

#### Note:

The use of the AuriStream codec is as follows:

- The AuriStream codec is an alternative to standard CVSD
- It requires CSR devices supporting AuriStream at both ends of the link
- AuriStream is negotiated when the link is brought up. If AuriStream is not supported on either end, the system will switch to standard CVSD ensuring full interoperability with any non-AuriStream Bluetooth devices

The inclusion of the AuriStream codec can greatly enhance audio quality in the wideband mode and results in reduced power consumption compared to a CVSD implementation when used at both ends of the system.

AuriStream codec on BC6130 QFN supports only 2 G726 modes of operation which is configured by PSKEY\_USR28:

1. 4-bit, 8kHz sample rate, 32kbps
  - Mode 1 gives 30% reduced power in both handset and headset Bluetooth ICs
2. 4-bit, 16kHz sample rate, 64kbps
  - Mode 2 gives wideband voice quality with no power consumption impact compared to standard CVSD

### 4.7 Basic Rate Modem

The basic rate modem satisfies the basic data rate requirements of the Bluetooth v2.1 + EDR specification. The basic rate was the standard data rate available on the Bluetooth v1.2 specification and below, it is based on GFSK modulation scheme.

Including the basic rate modem allows BC6130 QFN compatibility with earlier Bluetooth products.

The basic rate modem uses the RF ports, receiver, transmitter and synthesiser, alongside the baseband components described in Section 4.5.

### 4.8 Enhanced Data Rate Modem

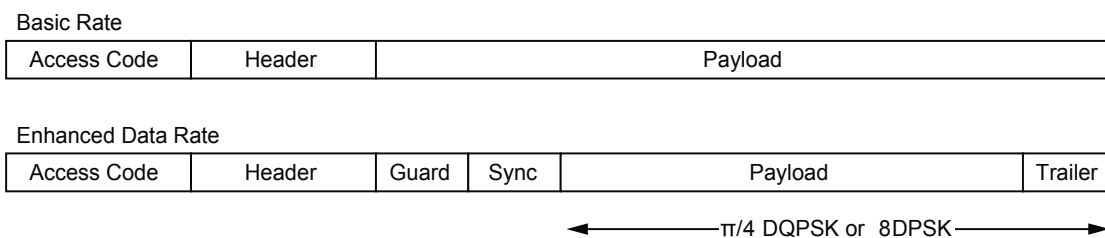
The EDR modem satisfies the requirements of the Bluetooth v2.1 + EDR specification. EDR has been introduced to provide 2x and 3x data rates with minimal disruption to higher layers of the Bluetooth stack. BC6130 QFN supports both the basic and enhanced data rates and is compliant with the Bluetooth v2.1 + EDR specification.

At the baseband level, EDR utilises both the same 1.6kHz slot rate and the 1MHz symbol rate as defined for the basic data rate. EDR differs in that each symbol in the payload portion of a packet represents 2 or 3 bits. This is achieved using 2 new distinct modulation schemes. Table 4.1 and Figure 4.2 summarise these. Link Establishment and management are unchanged and still use GFSK for both the header and payload portions of these packets.

The enhanced data rate modem uses the RF ports, receiver, transmitter and synthesiser, with the baseband components described in Section 4.5.

Data Rate Scheme	Bits Per Symbol	Modulation
Basic Rate	1	GFSK
EDR	2	$\pi/4$ DQPSK
EDR	3	8DPSK (optional)

Table 4.1: Data Rate Schemes



G-TW-0000244.2.3

Figure 4.2: BDR and EDR Packet Structure

## 5 Clock Generation

BC6130 QFN requires a Bluetooth reference clock frequency, it derives this from an externally connected crystal in the range 16MHz to 26MHz.

All BC6130 QFN internal digital clocks are generated using a phase locked loop, which is locked to the frequency of the external reference clock.

The Bluetooth operation determines the use of the watchdog clock in low-power modes.

### 5.1 Clock Architecture

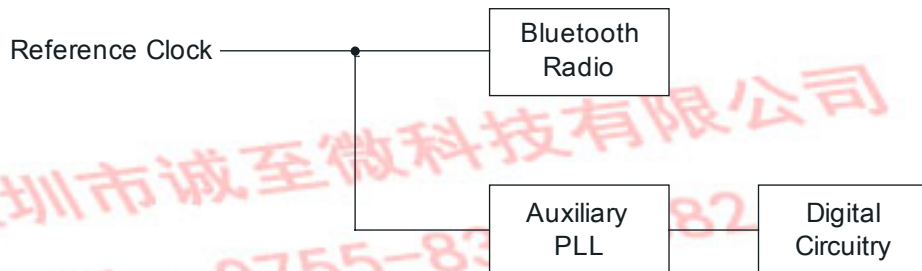


Figure 5.1: Clock Architecture

### 5.2 Input Frequencies and PS Key Settings

BC6130 QFN is configured to operate with a chosen reference frequency. Configuration is by setting the PSKEY\_ANA\_FREQ for all frequencies with an integer multiple of 250kHz. The input frequency default setting for BC6130 QFN is 26MHz depending on the software build. Full details are in the software release note for the specific build from [www.csrsupport.com](http://www.csrsupport.com).

### 5.3 Crystal Oscillator: XTAL\_IN and XTAL\_OUT

BC6130 QFN contains a crystal driver circuit. This operates with an external crystal and capacitors to form a Pierce oscillator. The external crystal is connected to pins XTAL\_IN, XTAL\_OUT.

G-TW-0000189.3.3

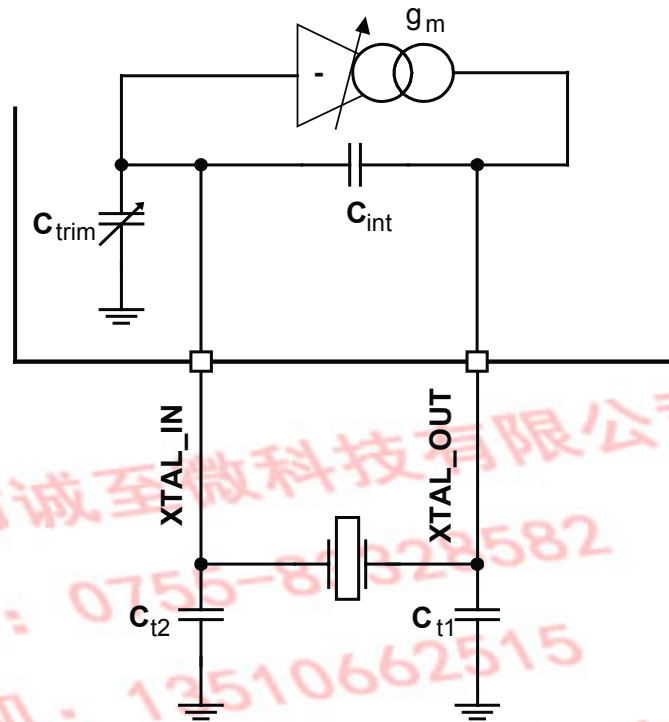


Figure 5.2: Crystal Driver Circuit

Figure 5.3 shows an electrical equivalent circuit for a crystal. The crystal appears inductive near its resonant frequency. It forms a resonant circuit with its load capacitors.

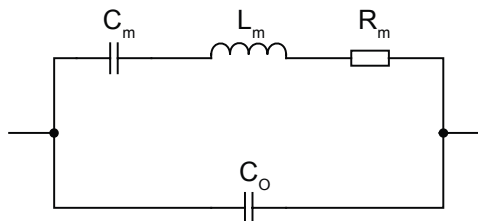


Figure 5.3: Crystal Equivalent Circuit

The resonant frequency may be trimmed with the crystal load capacitance. BC6130 QFN contains variable internal capacitors to provide a fine trim.

Parameter	Min	Typ	Max	Unit
Frequency	16	26	26	MHz
Initial Tolerance	-	±25	-	ppm
Pullability	-	±20	-	ppm/pF

Table 5.1: Crystal Specification

The BC6130 QFN driver circuit is a transconductance amplifier. A voltage at XTAL\_IN generates a current at XTAL\_OUT. The value of transconductance is variable and may be set for optimum performance.

### 5.3.1 Load Capacitance

For resonance at the correct frequency the crystal should be loaded with its specified load capacitance, which is defined for the crystal. This is the total capacitance across the crystal viewed from its terminals. BC6130 QFN provides some of this load with the capacitors  $C_{trim}$  and  $C_{int}$ . The remainder should be from the external capacitors labelled  $C_{t1}$  and  $C_{t2}$ .  $C_{t1}$  should be three times the value of  $C_{t2}$  for best noise performance. This maximises the signal swing and slew rate at XTAL\_IN (to which all on-chip clocks are referred).

Crystal load capacitance,  $C_l$  is calculated with Equation 5.1:

$$C_l = C_{int} + \frac{(C_{t2} + C_{trim}) C_{t1}}{C_{t2} + C_{trim} + C_{t1}}$$

**Equation 5.1: Load Capacitance**

**Note:**

$C_{trim} = 3.4\text{pF}$  nominal (mid-range setting)

$C_{int} = 1.5\text{pF}$

$C_{int}$  does not include the crystal internal self capacitance; it is the driver self capacitance.

### 5.3.2 Frequency Trim

BC6130 QFN enables frequency adjustments to be made. This feature is typically used to remove initial tolerance frequency errors associated with the crystal. Frequency trim is achieved by adjusting the crystal load capacitance with an on-chip trim capacitor,  $C_{trim}$ . The value of  $C_{trim}$  is set by a 6-bit word in the PSKEY\_ANA\_FTRIM. Its value is calculated as follows:

$$C_{trim} = 125\text{fF} \times \text{PSKEY\_ANA\_FTRIM}$$

**Equation 5.2: Trim Capacitance**

The  $C_{trim}$  capacitor is connected between XTAL\_IN and ground. When viewed from the crystal terminals, the combination of the tank capacitors and the trim capacitor presents a load across the terminals of the crystal which varies in steps of typically 125fF for each least significant bit increment of PSKEY\_ANA\_FTRIM.

Equation 5.3 describes the frequency trim.

$$\frac{\Delta(F_x)}{F_x} = \text{pullability} \times 0.110 \times \left( \frac{C_{t1}}{C_{t1} + C_{t2} + C_{trim}} \right) (\text{ppm/LSB})$$

**Equation 5.3: Frequency Trim**

**Note:**

$F_x$  = crystal frequency

Pullability is a crystal parameter with units of ppm/pF

Total trim range is 0 to 63

If not specified, the pullability of a crystal may be calculated from its motional capacitance with Equation 5.4.

$$\frac{\partial(F_x)}{\partial(C_1)} = F_x \cdot \frac{C_m}{2(C_1 + C_0)^2}$$

**Equation 5.4: Pullability**

**Note:**

$C_0$  = Crystal self capacitance (shunt capacitance)

$C_m$  = Crystal motional capacitance (series branch capacitance in crystal model), see Figure 5.3

It is a Bluetooth requirement that the frequency is always within  $\pm 20$ ppm. The trim range should be sufficient to pull the crystal within  $\pm 5$ ppm of the exact frequency. This leaves a margin of  $\pm 15$ ppm for frequency drift with ageing and temperature. A crystal with an ageing and temperature drift specification of better than  $\pm 15$ ppm is required.

### 5.3.3 Transconductance Driver Model

The crystal and its load capacitors should be viewed as a transimpedance element, whereby a current applied to one terminal generates a voltage at the other. The transconductance amplifier in BC6130 QFN uses the voltage at its input, XTAL\_IN, to generate a current at its output, XTAL\_OUT. Therefore, the circuit will oscillate if the transconductance, transimpedance product is greater than unity. For sufficient oscillation amplitude, the product should be greater than three. The transconductance required for oscillation is defined by the relationship shown in Equation 5.5.

$$g_m > 3 \frac{(2\pi F_x)^2 R_m ((C_0 + C_{int})(C_{t1} + C_{t2} + C_{trim}) + C_{t1} (C_{t2} + C_{trim}))}{C_{t1} (C_{t2} + C_{trim})}$$

**Equation 5.5: Transconductance Required for Oscillation**

BC6130 QFN guarantees a transconductance value of at least 2mA/V at maximum drive level.

**Note:**

More drive strength is required for higher frequency crystals, higher loss crystals (larger  $R_m$ ) or higher capacitance loading

Optimum drive level is attained when the level at XTAL\_IN is approximately 1V pk-pk. The drive level is determined by the crystal driver transconductance.

### 5.3.4 Negative Resistance Model

An alternative representation of the crystal and its load capacitors is a frequency dependent resistive element. The driver amplifier may be considered as a circuit that provides negative resistance. For oscillation, the value of the negative resistance must be greater than that of the crystal circuit equivalent resistance. Although the BC6130 QFN crystal driver circuit is based on a transimpedance amplifier, an equivalent negative resistance can be calculated for it using Equation 5.6.

$$R_{neg} > \frac{C_{t1}(C_{t2} + C_{trim})}{g_m(2\pi F_x)^2(C_0 + C_{int})((C_{t1} + C_{t2} + C_{trim}) + C_{t1}(C_{t2} + C_{trim}))^2}$$

**Equation 5.6: Equivalent Negative Resistance**

This formula shows the negative resistance of the BC6130 QFN driver as a function of its drive strength.

The value of the driver negative resistance may be easily measured by placing an additional resistance in series with the crystal. The maximum value of this resistor (oscillation occurs) is the equivalent negative resistance of the oscillator.

### 5.3.5 Crystal PS Key Settings

The BC6130 QFN firmware automatically controls the drive level on the crystal circuit to achieve optimum input swing. The PSKEY\_XTAL\_TARGET\_AMPLITUDE is used by the firmware to servo the required amplitude of crystal oscillation. Refer to the software build release note for a detailed description.

BC6130 QFN should be configured to operate with the chosen reference frequency.

## 5.4 External 32kHz Clock

A 32kHz clock can be applied to AIO[0] by setting DEEP\_SLEEP\_EXTERNAL\_CLOCK\_SOURCE.

If the external clock is applied to the analogue pad AIO[0], the digital signal should be driven with a maximum 1.5V.

**Note:**

If the 32kHz clock is accurate and stable to within 200ppm, then further power saving features can be enabled. See the relevant software release note for more information.

深圳市诚至微科技有限公司  
电话：0755-83328582  
手机：13510662515  
<http://www.czwtech.com>

## 6 Bluetooth Stack Microcontroller

A 16-bit RISC MCU is used for low power consumption and efficient use of memory.

The MCU, interrupt controller and event timer run the Bluetooth software stack and control the Bluetooth radio and host interfaces.

### 6.1 Programmable I/O (PIO) Parallel Ports

8 lines of programmable bidirectional I/O are provided.

**Note:**

PIO[11,3:0] are powered from VDD\_PADS[0] and PIO[8:6] are powered from VDD\_PADS[1]. AIO[1:0] are powered from VDD\_ANA.

Any of the PIO lines are configurable as button inputs or control outputs. Certain PIOs also have dedicated functions that are accessed using appropriate PS Keys. Using PSKEY\_CLOCK\_REQUEST\_ENABLE, PIO[6] or PIO[2] can be configured as a request line for an external clock source. This is useful in detecting when BC6130 QFN is entering or leaving deep sleep.

**Note:**

CSR cannot guarantee that the PIO assignments remain as described. Refer to the relevant software release note for the implementation of these PIO lines, as they are firmware build-specific.

BC6130 QFN has 2 general-purpose analogue interface pins, AIO[1:0], used to access internal circuitry and control signals. Auxiliary functions available on the analogue interface include a 10-bit ADC. Signals selectable on this interface include the band gap reference voltage and a variety of clock signals: 64, 48, 32, 24, 16, 12, 8, 6 and 2MHz (output from AIO[0] only) and the XTAL and XTAL/2 clock frequency (output from AIO[1] and AIO[0]). When used with analogue signals the voltage range is constrained by the analogue supply voltage. When configured to drive out digital level signals (clocks) generated from within the analogue part of the device, the output voltage level is determined by VDD\_ANA.



## 7 Memory Interface and Management

### 7.1 Memory Management Unit

The MMU provides a number of dynamically allocated ring buffers that hold the data that is transferred between BC6130 QFN and the air, or the host. The dynamic allocation of memory ensures efficient use of the available RAM and is performed by a hardware MMU to minimise the overheads on the processor during data/voice transfers.

### 7.2 System RAM

48KB of on-chip RAM supports the RISC MCU and is shared between the ring buffers used to hold voice/data for each active connection and the general-purpose memory required by the Bluetooth stack.

### 7.3 Internal ROM

Internal ROM is provided for system firmware implementation.

深圳市诚至微科技有限公司  
电话：0755-83328582  
手机：13510662515  
<http://www.czwtech.com>

## 8 Serial Interfaces

### 8.1 UART Interface

BC6130 QFN has a standard UART serial interface that provides a simple communications channel for test and debug using RS232 protocol.

2 signals implement the UART function, UART\_TX and UART\_RX. When BC6130 QFN is connected to another digital device, UART\_RX and UART\_TX transfer data between the 2 devices.

UART configuration parameters, such as baud rate and packet format, are set using BC6130 QFN firmware.

**Note:**

To communicate with the UART at its maximum data rate using a standard PC, an accelerated serial port adapter card is required for the PC.

Parameter		Possible Values
Baud rate	Minimum	1200 baud ( $\leq 2\%$ Error)
	Maximum	9600 baud ( $\leq 1\%$ Error)
		4Mbaud ( $\leq 1\%$ Error)
Flow control		None
Parity		None, Odd or Even
Number of stop bits		1 or 2
Bits per byte		8

**Table 8.1: Possible UART Settings**

The UART interface can reset BC6130 QFN on reception of a break signal. A break is identified by a continuous logic low (0V) on the UART\_RX terminal, as shown in Figure 8.1. If  $t_{BRK}$  is longer than the value, defined by the HOSTIO\_UART\_RESET\_TIMEOUT, a reset occurs. This feature allows a host to initialise the system to a known state. Also, BC6130 QFN can emit a break character that may be used to wake the host.



**Figure 8.1: Break Signal**

Table 8.2 shows a list of commonly used baud rates and their associated values for the UART\_BAUDRATE. There is no requirement to use these standard values. Any baud rate within the supported range can be set in UART\_BAUDRATE according to the formula in Equation 8.1.

$$\text{Baud Rate} = \frac{\text{PSKEY\_UART\_BAUDRATE}}{0.004096}$$

**Equation 8.1: Baud Rate**

Baud Rate	Persistent Store Value		Error
	Hex	Dec	
1200	0x0005	5	1.73%
2400	0x000a	10	1.73%
4800	0x0014	20	1.73%
9600	0x0027	39	-0.82%
19200	0x004f	79	0.45%
38400	0x009d	157	-0.18%
57600	0x00ec	236	0.03%
76800	0x013b	315	0.14%
115200	0x01d8	472	0.03%
230400	0x03b0	944	0.03%
460800	0x075f	1887	-0.02%
921600	0x0ebf	3775	0.00%
1382400	0x161e	5662	-0.01%
1843200	0x1d7e	7550	0.00%
2764800	0x2c3d	11325	0.00%
3686400	0x3afb	15099	0.00%

Table 8.2: Standard Baud Rates

### 8.1.1 UART Configuration While Reset is Active

The UART interface for BC6130 QFN is tristate while the chip is being held in reset. This allows the user to daisy chain devices onto the physical UART bus. The constraint on this method is that any devices connected to this bus must tristate when BC6130 QFN reset is de-asserted and the firmware begins to run.

## 8.2 Programming and Debug Interface

### Important Note:

SPI\_DEBUG\_EN must be pulled high before the SPI debug port is enabled.

The SPI is used to configure (using PS Keys) and debug the BC6130 QFN. It is required in production. Ensure the 4 SPI signals are brought out to either test points or a header.

CSR provides development and production tools to communicate over the SPI from a PC, although a level translator circuit is often required. All are available from CSR.

BC6130 QFN uses a 16-bit data and 16-bit address programming and debug interface. Transactions can occur when the internal processor is running or is stopped. For more information, see the *Using SPI Design Guide*.

Data may be written or read one word at a time, or the auto-increment feature is available for block access.

### 8.2.1 Instruction Cycle

The BC6130 QFN is the slave and receives commands on SPI\_MOSI and outputs data on SPI\_MISO. Table 8.3 shows the instruction cycle for a SPI transaction.

1	Reset the SPI interface	Hold SPI_CS# high for two SPI_CLK cycles
2	Write the command word	Take SPI_CS# low and clock in the 8-bit command
3	Write the address	Clock in the 16-bit address word
4	Write or read data words	Clock in or out 16-bit data word(s)
5	Termination	Take SPI_CS# high

**Table 8.3: Instruction Cycle for a SPI Transaction**

With the exception of reset, SPI\_CS# must be held low during the transaction. Data on SPI\_MOSI is clocked into the BC6130 QFN on the rising edge of the clock line SPI\_CLK. When reading, BC6130 QFN replies to the master on SPI\_MISO with the data changing on the falling edge of the SPI\_CLK. The master provides the clock on SPI\_CLK. The transaction is terminated by taking SPI\_CS# high.

Sending a command word and the address of a register for every time it is to be read or written is a significant overhead, especially when large amounts of data are to be transferred. To overcome this BC6130 QFN offers increased data transfer efficiency via an auto increment operation. To invoke auto increment, SPI\_CS# is kept low, which auto increments the address, while providing an extra 16 clock cycles for each extra word to be written or read.

### 8.2.2 Multi-slave Operation

BC6130 QFN should not be connected in a multi-slave arrangement by simple parallel connection of slave MISO lines. When BC6130 QFN is deselected (SPI\_CS# = 1), the SPI\_MISO line does not float. Instead, BC6130 QFN outputs 0 if the processor is running or 1 if it is stopped.

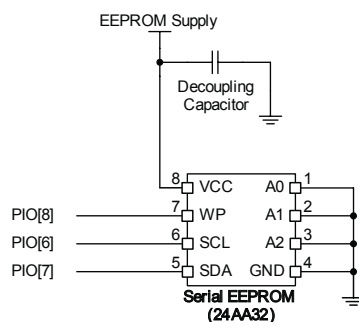
## 8.3 I<sup>2</sup>C Interface

PIO[8:6] is available to form a master I<sup>2</sup>C interface. The interface is formed using software to drive these lines.

**Note:**

The program memory for the BC6130 QFN is internal ROM so the I<sup>2</sup>C interface can only connect to a serial EEPROM, an example is shown in Figure 8.2. The EEPROM stores programmable audio prompts, see Section 15.4, as well as PS Keys and configuration information.

EEPROM Supply in Figure 8.2 is 1.9V.



**Figure 8.2: Example EEPROM Connection**

## 9 Audio Interface

The audio interface circuit consists of:

- Mono audio codec
- Audio inputs and outputs

### 9.1 Audio Input and Output

The audio input circuitry consists:

- 1 channel of microphone input
- The microphone input is configurable to be either single-ended or fully differential
- The input has an analogue and digital programmable gain stage for optimisation of different microphones

The audio output circuitry consists of a single differential class A-B output stage.

### 9.2 Mono Audio Codec Block Diagram

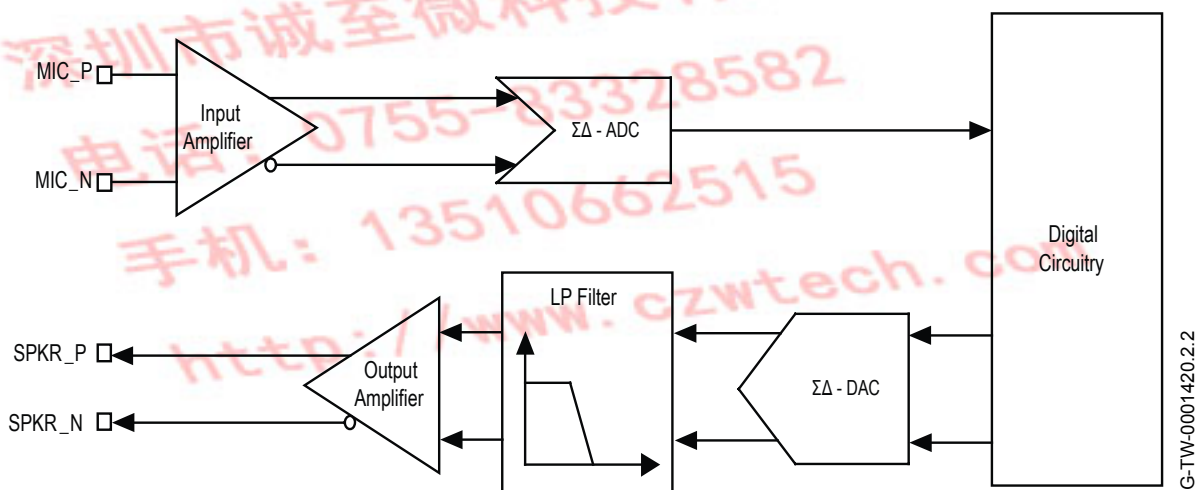


Figure 9.1: Mono Codec Audio Input and Output Stages

The mono audio codec uses a fully differential architecture in the analogue signal path, which results in low noise sensitivity and good power supply rejection while effectively doubling the signal amplitude. It operates from a single power-supply of 1.5V and uses a minimum of external components.

#### 9.2.1 ADC

The ADC consists of:

- A second-order Sigma-Delta converter, as Figure 9.1 shows.
- 2 gain stages; one of which is an analogue gain stage and the other is a digital gain stage.

#### 9.2.2 ADC Digital Gain

The digital gain stage has a programmable selection value in the range of 0 to 15 with the associated ADC gain settings summarised in Table 9.1. There is also a high resolution digital gain mode that allows the gain to be changed in 1/32dB steps. Contact CSR for more information.

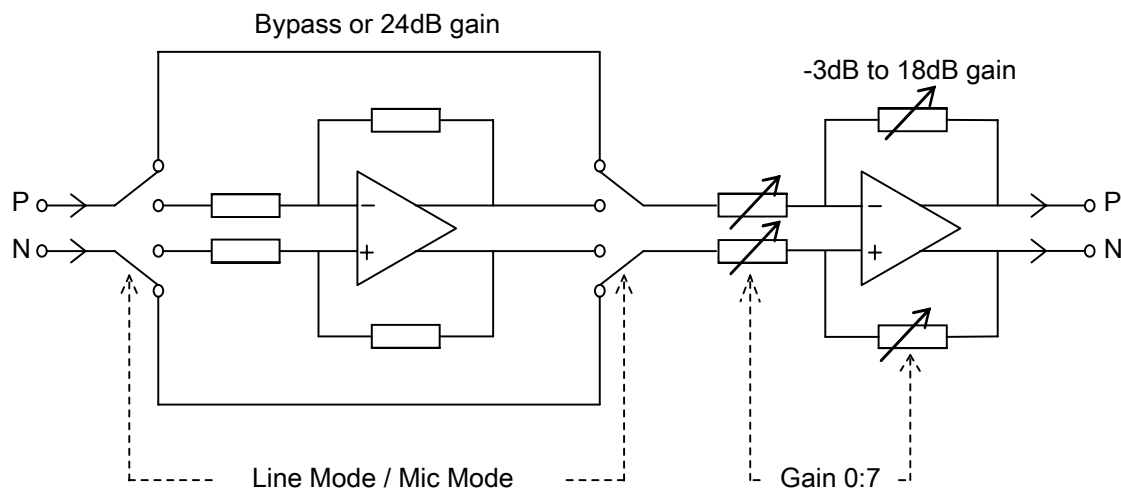
Gain Selection Value	ADC Digital Gain Setting (dB)	Gain Selection Value	ADC Digital Gain Setting (dB)
0	0	8	-24
1	3.5	9	-20.5
2	6	10	-18
3	9.5	11	-14.5
4	12	12	-12
5	15.5	13	-8.5
6	18	14	-6
7	21.5	15	-2.5

Table 9.1: ADC Digital Gain Rate Selection

### 9.2.3 ADC Analogue Gain

Figure 9.2 shows the equivalent block diagram for the ADC analogue amplifier. It is a two-stage amplifier:

- The first stage amplifier has a selectable gain of either bypass for line input mode or gain of 24dB gain for the microphone mode.
- The second stage has a programmable gain with seven individual 3dB steps. By combining the 24dB gain selection of the microphone input with the seven individual 3dB gain steps, the overall range of the analogue amplifier is approximately -3dB to 42dB in 3dB steps. The the BC6130 QFN controls all the gain control of the ADC.



Switches shown for line mode  
 Microphone mode input impedance = 6k $\Omega$   
 Line mode input impedance = 6k $\Omega$  to 30k $\Omega$

Figure 9.2: ADC Analogue Amplifier Block Diagram

### 9.2.4 DAC

The DAC consists of:

- A second-order Sigma-Delta converter, as Figure 9.1 shows.
- 2 gain stages; one of which is an analogue gain stage and the other is a digital gain stage.

### 9.2.5 DAC Digital Gain

The digital gain stage has a programmable selection value in the range of 0 to 15 with associated DAC gain settings, summarised in Table 9.2. There is also a high resolution digital gain mode that allows the gain to be changed in 1/32dB steps. Contact CSR for more information.

The overall gain control of the DAC is controlled by the BC6130 QFN. Its setting is a combined function of the digital and analogue amplifier settings.

Digital Gain Selection Value	DAC Digital Gain Setting (dB)	Digital Gain Selection Value	DAC Digital Gain Setting (dB)
0	0	8	-24
1	3.5	9	-20.5
2	6	10	-18
3	9.5	11	-14.5
4	12	12	-12
5	15.5	13	-8.5
6	18	14	-6
7	21.5	15	-2.5

Table 9.2: DAC Digital Gain Rate Selection

### 9.2.6 DAC Analogue Gain

As Table 9.3 shows the DAC analogue gain stage consists of 8 gain selection values that represent seven 3dB steps.

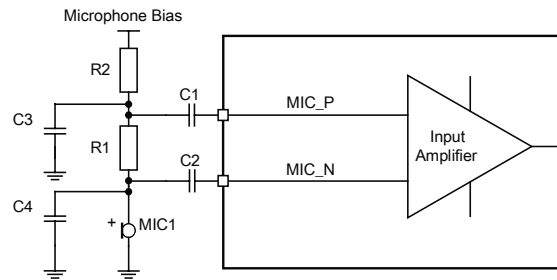
The BC6130 QFN controls the overall gain control of the DAC. Its setting is a combined function of the digital and analogue amplifier settings.

Analogue Gain Selection Value	DAC Analogue Gain Setting (dB)	Analogue Gain Selection Value	DAC Analogue Gain Setting (dB)
7	3	3	-9
6	0	2	-12
5	-3	1	-15
4	-6	0	-18

Table 9.3: DAC Analogue Gain Rate Selection

### 9.2.7 Microphone Input

Figure 9.3 shows recommended biasing for each microphone. The microphone bias, MIC\_BIAS, derives its power from the BAT\_P and requires a 1µF capacitor on its output.



G-TW-0001189.2.2

**Figure 9.3: Microphone Biasing**

The MIC\_BIAS is like any voltage regulator and requires a minimum load to maintain regulation. The MIC\_BIAS maintains regulation within the limits 0.200mA to 1.230mA. If the microphone sits below these limits, then the microphone output must be pre-loaded with a large value resistor to ground.

The audio input is intended for use in the range from  $1\mu\text{A}$  @ 94dB SPL to about  $10\mu\text{A}$  @ 94dB SPL. With biasing resistors R1 and R2 equal to  $1\text{k}\Omega$ , this requires microphones with sensitivity between about  $-40\text{dBV}$  and  $-60\text{dBV}$ .

The input impedance at MIC\_N and MIC\_P is typically  $6.0\text{k}\Omega$ .

C1 and C2 should be  $150\text{nF}$  if bass roll-off is required to limit wind noise on the microphone.

R1 sets the microphone load impedance and is normally in the range of  $1\text{k}\Omega$  to  $2\text{k}\Omega$ .

R2, C3 and C4 improve the supply rejection by decoupling supply noise from the microphone. Values should be selected as required. R2 may be connected to a convenient supply, in which case the bias network is permanently enabled, or to the MIC\_BIAS output (which is ground referenced and provides good rejection of the supply), which may be configured to provide bias only when the microphone is required.

Table 9.4 shows the 4-bit programmable output voltage that the microphone bias provides, and Table 9.5 shows the 4-bit programmable output current.

The characteristics of the microphone bias include:

- Power supply:
  - BC6130 QFN microphone supply is BAT\_P
  - Minimum input voltage = Output voltage + drop-out voltage
  - Maximum input voltage is 4.4V
  - Typically the microphone bias is between 2V and 2.5V, or as specified by the microphone vendor
- Drop-out voltage:
  - 300mV minimum
  - Guaranteed for configuration of voltage or current output shown in Table 9.4 and Table 9.5
- Output voltage:
  - 4-bit programmable between 1.7V to 3.6V
  - Tolerance 90 to 110%
- Output current:
  - 4-bit programmable from  $200\mu\text{A}$  to 1.230mA
  - Maximum current guaranteed to be  $>1\text{mA}$
- Load capacitance:
  - Unconditionally stable for  $1\mu\text{F} \pm 20\%$  and  $2.2\mu\text{F} \pm 20\%$  pure C



Output Step	VOL_SET[3:0]	Min	Typ	Max	Units
0	0000	-	1.71	-	V
1	0001	-	1.76	-	V
2	0010	-	1.82	-	V
3	0011	-	1.87	-	V
4	0100	-	1.95	-	V
5	0101	-	2.02	-	V
6	0110	-	2.10	-	V
7	0111	-	2.18	-	V
8	1000	-	2.32	-	V
9	1001	-	2.43	-	V
10	1010	-	2.56	-	V
11	1011	-	2.69	-	V
12	1100	-	2.90	-	V
13	1101	-	3.08	-	V
14	1110	-	3.33	-	V
15	1111	-	3.57	-	V

Table 9.4: Voltage Output Steps

Output Step	CUR_SET[3:0]	Typ	Units
0	0000	0.200	mA
1	0001	0.280	mA
2	0010	0.340	mA
3	0011	0.420	mA
4	0100	0.480	mA
5	0101	0.530	mA
6	0110	0.610	mA
7	0111	0.670	mA
8	1000	0.750	mA
9	1001	0.810	mA
10	1010	0.860	mA
11	1011	0.950	mA
12	1100	1.000	mA
13	1101	1.090	mA
14	1110	1.140	mA
15	1111	1.230	mA

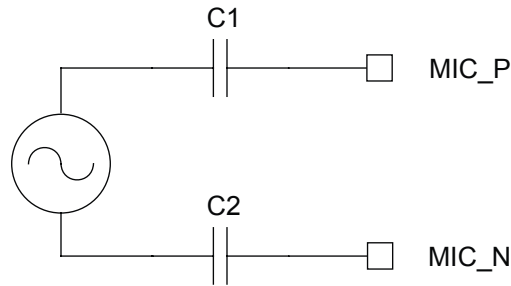
**Table 9.5: Current Output Steps**
**Note:**

For BAT\_P, the PSRR at 100Hz to 22kHz, with >300mV supply headroom, decoupling capacitor of 1.1 $\mu$ F, is typically 58.9dB and worst case 53.4dB.

For VDD\_AUDIO, the PSRR at 100Hz to 22kHz, decoupling capacitor of 1.1 $\mu$ F, is typically 88dB and worst case 60dB.

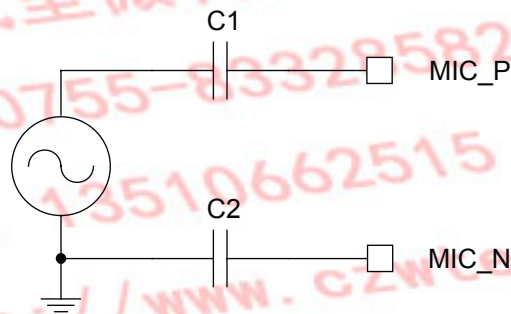
### 9.2.8 Line Input

If the input analogue gain is set to less than 24dB, BC6130 QFN automatically selects line input mode. In line input mode the first stage of the amplifier is automatically disabled, providing additional power saving. In line input mode the input impedance varies from 6k $\Omega$  to 30k $\Omega$ , depending on the volume setting. Figure 9.4 and Figure 9.5 show 2 circuits for line input operation and show connections for either differential or single-ended inputs.



G-TW-0001191.2.3

Figure 9.4: Differential Input



G-TW-0001190.3.2

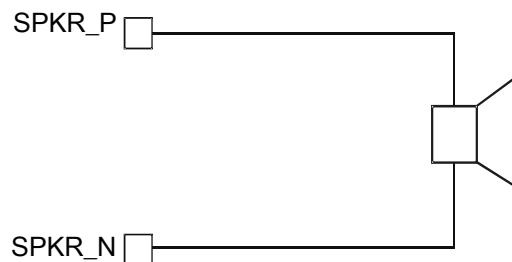
Figure 9.5: Single-ended Input

### 9.2.9 Output Stage

The output stage digital circuitry converts the signal from 16-bit per sample, linear PCM of variable sampling frequency to bit stream, which is fed into the analogue output circuitry.

The output stage circuit comprises a DAC with gain setting and class AB output stage amplifier. The output is available as a differential signal between SPKR\_N and SPKR\_P, as Figure 9.6 shows.

The output stage is capable of driving a speaker directly when its impedance is at least 8Ω and an external regulator is used, but this will be at a reduced output swing.



G-TW-0000614.2.2

Figure 9.6: Speaker Output

A 3-bit programmable resistive divider controls the analogue gain of the output stage, which sets the gain in steps of approximately 3dB.

### 9.2.10 Integrated Digital Filter

BC6130 QFN has a programmable digital filter integrated into the ADC channel of the codec. The filter is a 2 stage, second order IIR and is used for functions such as custom wind noise rejection. The filter also has optional DC blocking.

The filter has 10 configuration words used as follows:

- 1 for gain value
- 8 for coefficient values
- 1 for enabling and disabling the DC blocking

The gain and coefficients are all 12-bit 2's complement signed integer with the format `XX.XXXXXXXXXX`

**Note:**

The position of the binary point is between bit[10] and bit[9], where bit[11] is the most significant bit.

For example:

深圳市诚至微科技有限公司  
 电话: 0755-83328382  
 手机: 13510662515  
 http://www.czwtech.com

`01.1111111111` = most positive number, close to 2  
`01.0000000000` = 1  
`00.0000000000` = 0  
`11.0000000000` = -1  
`10.0000000000` = -2, most negative number

Equation 9.1 shows the equation for the IIR filter. Equation 9.2 shows the equation for when the DC blocking is enabled.

The filter can be configured, enabled and disabled from the VM via the `CodecSetIIRFilterA` and `CodecSetIIRFilterB` traps. This requires firmware support. The configuration function takes 10 variables in the order shown below:

- 0 : Gain
- 1 :  $b_{01}$
- 2 :  $b_{02}$
- 3 :  $a_{01}$
- 4 :  $a_{02}$
- 5 :  $b_{11}$
- 6 :  $b_{12}$
- 7 :  $a_{11}$
- 8 :  $a_{12}$
- 9 : DC Block (1 = enable, 0 = disable)

$$\text{Filter, } H(z) = \text{Gain} \times \frac{(1 + b_{01} z^{-1} + b_{02} z^{-2})}{(1 + a_{01} z^{-1} + a_{02} z^{-2})} \times \frac{(1 + b_{11} z^{-1} + b_{12} z^{-2})}{(1 + a_{11} z^{-1} + a_{12} z^{-2})}$$

**Equation 9.1: IIR Filter Transfer Function, H(z)**

$$\text{Filter with DC Blocking, } H_{DC}(z) = H(z) \times (1 - z^{-1})$$

**Equation 9.2: IIR Filter plus DC Blocking Transfer Function, H<sub>DC</sub>(z)**

### 9.2.10.1 Integrated Digital Filter Configuration

The behaviour of the integrated digital IIR filter described in Section 9.2.10, is configurable through 12 values stored in the PSKEY\_USR29:

- 10-words for the IIR filter parameters in Section 9.2.10
- 1-word for the audio energy estimation threshold
- 1-word for the gain to be applied when the audio energy estimation is above the threshold

Adjusting these values configures the IIR filter for different functions:

- Echo reduction, see Section 9.2.10.2
- Noise reduction (wind noise filter), see Section 9.2.10.3

**Note:**

The IIR filter is switched off at initialisation.

### 9.2.10.2 Echo Reduction

The echo reduction feature on BC6130 QFN uses the integrated digital IIR filter in Section 9.2.10.

In order to implement the echo reduction feature the energy estimation of the SCO connections is constantly monitored. When the energy estimation goes above a given threshold, the IIR filter is switched on. When the energy estimation goes below a given threshold, the IIR filter is switched off. Additionally, the echo reduction gain is applied to the filter.

### 9.2.10.3 Noise Reduction

The noise reduction feature on BC6130 QFN uses the integrated digital IIR filter in Section 9.2.10 to create a wind noise filter.

The wind noise filter is basically a high-pass filter that is always on. To achieve this:

- The filter threshold is set to 0
- The filter echo reduction gain is set to 0
- The filter coefficients are left at their default values

However, it is possible to calculate values for a custom configuration using the filter equation, see Equation 9.1 and Equation 9.2.

### 9.2.11 Side Tone

In some applications it is necessary to implement side tone. This involves feeding an attenuated version of the microphone signal to the earpiece. The BC6130 QFN codec contains side tone circuitry to do this. The side tone hardware is configured through the following PS Keys:

- PSKEY\_SIDE\_TONE\_ENABLE
- PSKEY\_SIDE\_TONE\_GAIN
- PSKEY\_SIDE\_TONE\_AFTER\_ADC
- PSKEY\_SIDE\_TONE\_AFTER\_DAC

## 10 Power Control and Regulation

BC6130 QFN contains 3 regulators:

- A switch-mode regulator, used to generate a 1.5V rail
- A low-voltage regulator which can generate an optional 1.5V rail
- A high-voltage linear regulator used to generate a 1.9V rail for powering the EEPROM

Various configurations for power control and regulation with BC6130 QFN are available, but a typical configuration is shown in Figure 10.1. This configuration has the switch-mode regulator generating a 1.5V supply rail, and the high-voltage linear regulator creating a 1.9V supply rail.

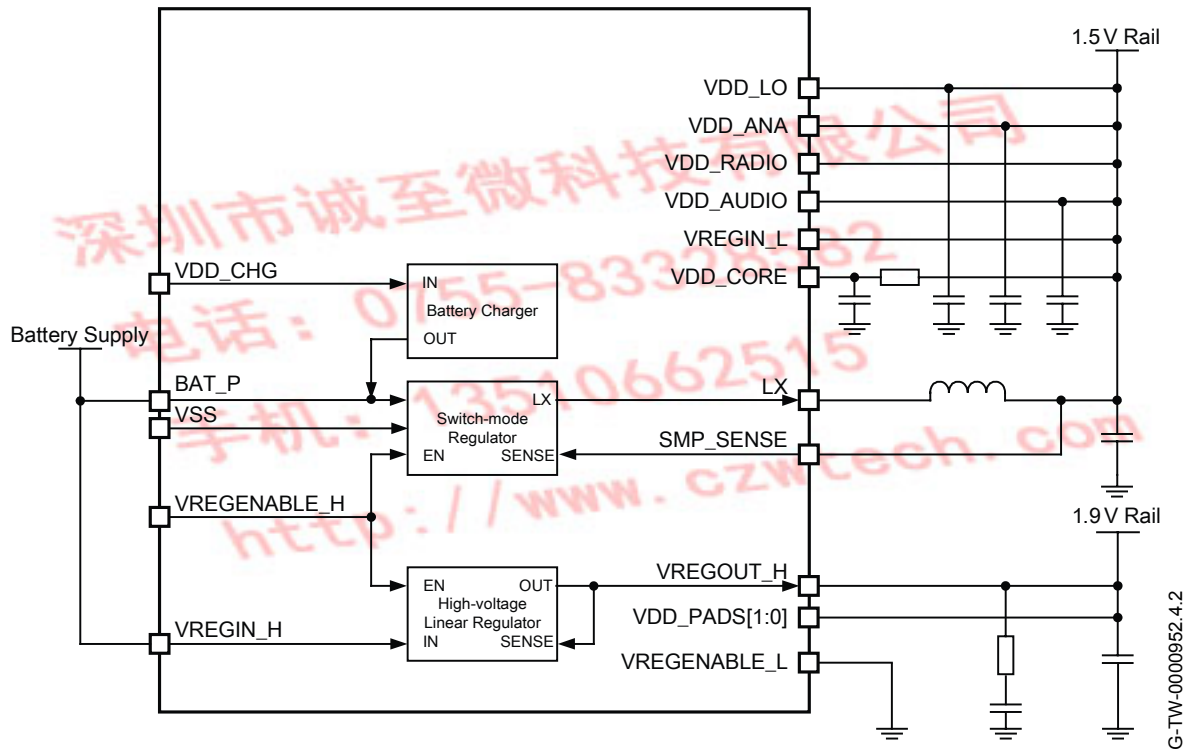


Figure 10.1: Voltage Regulator Configuration

### 10.1 Power Sequencing

The 1.5V supply rails are VDD\_ANA, VDD\_AUDIO, VDD\_CORE, VDD\_LO and VDD\_RADIO. CSR recommends that these supply rails are all powered at the same time.

The digital I/O supply rails are VDD\_PADS[1:0].

The sequence of powering the 1.5V supply rails relative to the digital I/O supply rails is not important. If the digital I/O supply rails are powered before the 1.5V supply rails, all digital I/Os will have a weak pull-down irrespective of the reset state.

VDD\_ANA, VDD\_AUDIO, VDD\_LO and VDD\_RADIO can connect directly to a 1.5V supply.

A simple RC filter is recommended for VDD\_CORE to reduce transients fed back onto the power supply rails.

The digital I/O supply rails are connected either together or independently to an appropriate voltage rail. Decoupling of the digital I/O supply rails is recommended.

### 10.2 External Voltage Source

If any of the supply rails for BC6130 QFN are supplied from an external voltage source, rather than one of the internal voltage regulators, CSR recommends that VDD\_AUDIO, VDD\_LO and VDD\_RADIO should have less than 10mV rms noise levels between 0 and 10MHz. Also avoid single tone frequencies.

The transient response of any external regulator used should match or be better than the internal regulator available on BC6130 QFN. For more information, refer to regulator characteristics in Section 12. It is essential that the power rail recovers quickly at the start of a packet, where the power consumption jumps to high levels.

### 10.3 Switch-mode Regulator

CSR recommends the on-chip switch-mode regulator to power the 1.5V supply rail.

An external LC filter circuit of a low-resistance series inductor, L1 (22 $\mu$ H), followed by a low ESR shunt capacitor, C1 (4.7 $\mu$ F), is required between the LX terminal and the 1.5V supply rail. A connection between the 1.5V supply rail and the SMP\_SENSE pin is required.

A 2.2 $\mu$ F decoupling capacitor is required between BAT\_P and VSS.

To maintain high-efficiency power conversion and low supply ripple, it is essential that the series resistance of tracks between the BAT\_P and VSS terminals, the filter and decoupling components, and the external voltage source are minimised.

The switch-mode regulator is enabled by either:

- VREGENABLE\_H pin
- BC6130 QFN device firmware
- BC6130 QFN battery charger

The switch-mode regulator switches into a low-power pulse skipping mode when the device is sent into deep sleep mode, or in reset.

When the switch-mode regulator is not required the terminals BAT\_P and LX must be grounded or left unconnected.

### 10.4 High-voltage Linear Regulator

The 1.9V high-voltage linear regulator provides power for an external EEPROM. The external EEPROM stores PS Key and configuration information, see Section 8.3. CSR does not recommend using the high-voltage linear regulator to power any additional circuitry.

A smoothing circuit using a low ESR 2.2 $\mu$ F capacitor and a 2.2 $\Omega$  resistor to ground, should be connected to the output of the high-voltage linear regulator, VREGOUT\_H. Alternatively use a 2.2 $\mu$ F capacitor with an ESR of at least 2 $\Omega$ .

The high-voltage linear regulator is enabled by either:

- VREGENABLE\_H pin
- BC6130 QFN device firmware
- BC6130 QFN battery charger

The regulator is switched into a low-power mode when the device is in deep sleep mode, or in reset.

### 10.5 Low-voltage Linear Regulator

The low-voltage linear regulator is available to power a 1.5V supply rail. Its output is connected internally to VDD\_ANA, and can be connected externally to the other 1.5V power inputs.

If the low-voltage linear regulator is used, connect a smoothing circuit using a low ESR 2.2 $\mu$ F capacitor and a 2.2 $\Omega$  resistor to ground to the output of the low-voltage linear regulator, VDD\_ANA. Alternatively use a 2.2 $\mu$ F capacitor with an ESR of at least 2 $\Omega$ .

The low-voltage linear regulator is enabled by either:

- VREGENABLE\_L pin
- BC6130 QFN device firmware
- BC6130 QFN battery charger

The low-voltage linear regulator switches into a low power mode when the device is in deep sleep mode, or in reset.

When the low-voltage linear regulator is not used, either leave the terminal VREGIN\_L unconnected, or tie it to VDD\_ANA.

### 10.6 Voltage Regulator Enable Pins

The voltage regulator enable pins, VREGENABLE\_H and VREGENABLE\_L, are used to enable the BC6130 QFN device if the on-chip regulators are being used. Table 10.1 shows the enable pin responsible for each voltage regulator.

Enable Pin	Regulator
VREGENABLE_H	High-voltage Linear Regulator and Switch-mode Regulator
VREGENABLE_L	Low-voltage Linear Regulator

**Table 10.1: BC6130 QFN Voltage Regulator Enable Pins**

The voltage regulator enable pins are active high, with weak pull-downs.

BC6130 QFN boots-up when the voltage regulator enable pins are pulled high, enabling the appropriate regulators. The firmware then latches the regulators on and the voltage regulator enable pins may then be released.

The status of the VREGENABLE\_H pin is available to firmware through an internal connection. VREGENABLE\_H also works as an input line.

## 10.7 Battery Charger

The battery charger is a constant current / constant voltage charger circuit, and is suitable for lithium ion/polymer batteries only. It shares a connection to the battery terminal, BAT\_P, with the switch-mode regulator. However it may be used in conjunction with either of the high-voltage regulators on the device.

The constant current level can be varied to allow charging of different capacity batteries.

The charger enters various states of operation as it charges a battery, as listed below. A full operational description is in *BlueCore5 Charger Description and Calibration Procedure Application Note*:

- Off : entered when charger disconnected.
- Trickle charge: entered when battery is below 2.9V. The battery is charged at a nominal 4.5mA. This mode is for the safe charge of deeply discharged cells.
- Fast charge constant current: entered when battery is above 2.9V. The charger enters the main fast charge mode. This mode charges the battery at the selected constant current,  $I_{chgset}$ .
- Fast charge constant voltage: entered when battery has reached a selected voltage,  $V_{float}$ . The charger switches mode to maintain the cell voltage at the  $V_{float}$  voltage by adjusting the charge current.
- Standby: this is the state when the battery is fully charged and no charging takes place. The battery voltage is continuously monitored and if it drops by more than 150mV below the  $V_{float}$  voltage the charger will re-enter the fast charge constant current mode to keep the battery fully charged.

When a voltage is applied to the charger input terminal VDD\_CHG, and the battery is not fully charged, the charger operates and an LED connected to the terminal LED[0] illuminates. By default, until the firmware is running, the LED pulses at a low-duty cycle to minimise current consumption.

The battery charger circuitry auto-detects the presence of a power source, allowing the firmware to detect, using an internal status bit, when the charger is powered. Therefore when the charger supply is not connected to VDD\_CHG, the terminal must be left open-circuit. The VDD\_CHG pin when not connected must be allowed to float and not pulled to a power rail. When the battery charger is not enabled this pin may float to a low undefined voltage. Any DC connection increases current consumption of the device. Capacitive components may be connected such as diodes, FETs and ESD protection.

The battery charger is designed to operate with a permanently connected battery. If the application enables the charger input to be connected while the battery is disconnected, then the BAT\_P pin voltage may become unstable. This in turn may cause damage to the internal switch-mode regulator. Connecting a 470µF capacitor to BAT\_P limits these oscillations so preventing damage.

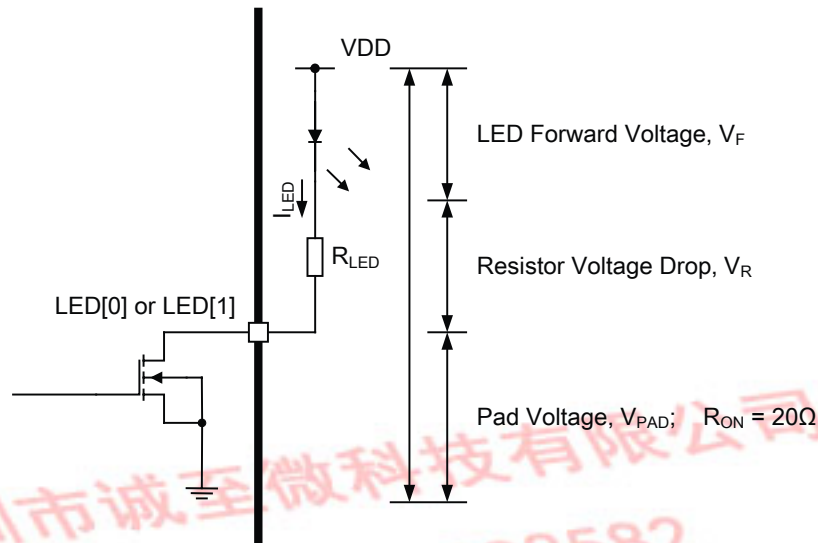
## 10.8 LED Drivers

BC6130 QFN includes 2 pads dedicated to driving LED indicators. Both terminals can be controlled by firmware, while LED[0] can also be set by the battery charger.

The terminals are open-drain outputs, so the LED must be connected from a positive supply rail to the pad in series with a current limiting resistor.

CSR recommends that the LED pad, LED[0] or LED[1] pins, operate with a pad voltage below 0.5V. In this case, the pad is like a resistor,  $R_{ON}$ . The resistance together with the external series resistor sets the current,  $I_{LED}$ , in the LED. The current is also dependent on the external voltage, VDD, as Figure 10.2 shows.




**Figure 10.2: LED Equivalent Circuit**

From Figure 10.2 it is possible to derive Equation 10.1 to calculate  $I_{LED}$ . If a known value of current is required through the LED to give a specific luminous intensity, then the value of  $R_{LED}$  can be calculated.

$$I_{LED} = \frac{VDD - V_F}{R_{LED} + R_{ON}}$$

**Equation 10.1: LED Current**

For the LED[0] or LED[1] pad to act as resistance, the external series resistor,  $R_{LED}$ , needs to be such that the voltage drop across it,  $V_R$ , keeps  $V_{PAD}$  below 0.5V. Equation 10.2 also applies.

$$VDD = V_F + V_R + V_{PAD}$$

**Equation 10.2: LED PAD Voltage**
**Note:**

The LED current adds to the overall current, so conservative selection of the LEDs will extend battery life.

## 10.9 Reset, RST#

BC6130 QFN can be reset from several sources:

- RST# pin
- Power-on reset
- UART break character
- Software configured watchdog timer

The RST# pin is an active low reset and is internally filtered using the internal low frequency clock oscillator. A reset is performed between 1.5 and 4.0ms following RST# being active. CSR recommends that RST# be applied for a period greater than 5ms.

G-TW-0000255.3.2

The power-on reset typically occurs when the VDD\_CORE supply falls below 1.25V and is released when VDD\_CORE rises above typically 1.30V. At reset the digital I/O pins are set to inputs for bidirectional pins and outputs are tristate. Following a reset, BC6130 QFN assumes the maximum XTAL\_IN frequency, which ensures that the internal clocks run at a safe (low) frequency until BC6130 QFN is configured for the actual XTAL\_IN frequency. If no clock is present at XTAL\_IN, the oscillator in BC6130 QFN free runs, again at a safe frequency.

### 10.9.1 Digital Pin States on Reset

Table 10.2 shows the pin states of BC6130 QFN on reset. PU and PD default to weak values unless specified otherwise.

Pin Name / Group	I/O Type	No Core Voltage Reset	Full Chip Reset
UART_RX	Digital input with PD	PD	PD
UART_TX	Digital bidirectional with PU	PD	PD
SPI_MOSI	Digital input with PD	PD	PD
SPI_CLK	Digital bidirectional with PD	PD	PD
SPI_CS#	Digital bidirectional with PD	PD	PD
SPI_MISO	Digital tristate output with PD	PD	PD
SPI_DEBUG_EN	Digital input with PD	PD	PD
RST#	Digital input with PU	PU	PU
TEST_EN	Digital input with strong PD	PD	PD
PIO[11,3:0] PIO[8:6]	Digital bidirectional with PU/ PD	PD	PD

Table 10.2: Pin States on Reset

### 10.9.2 Status after Reset

The status of BC6130 QFN after a reset is:

- Warm reset: data rate and RAM data remain available
- Cold reset: data rate and RAM data not available

# 11 Example Application Schematic

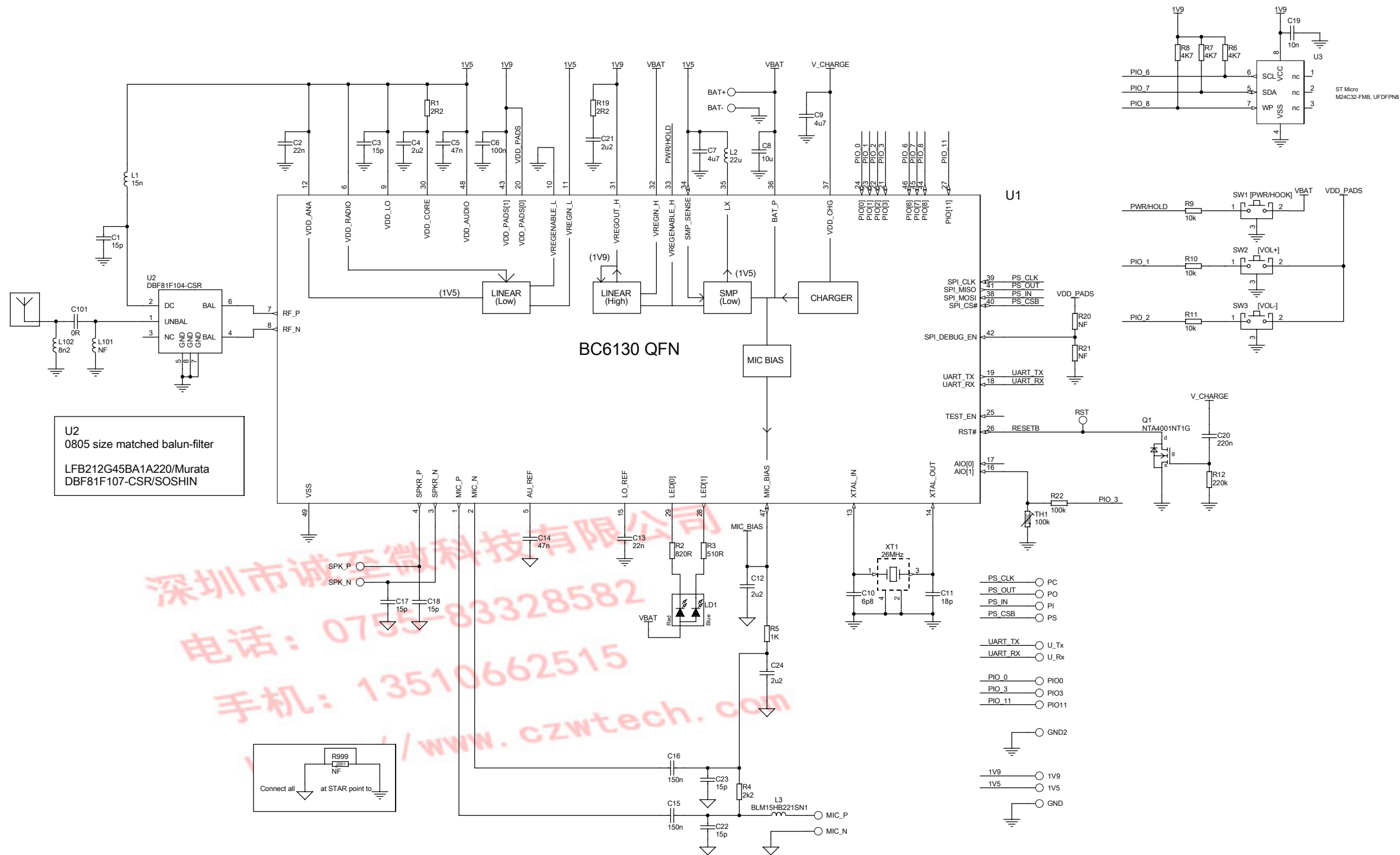


Figure 11.1: Example Application Schematic

## 12 Electrical Characteristics

### 12.1 ESD Precautions

BC6130 QFN is classified as a JESD22-A114 class 2, JESD22-A115 class B product. Apply ESD static handling precautions during manufacturing.

### 12.2 Absolute Maximum Ratings

Rating		Min	Max	Unit
Storage Temperature		-40	105	°C
Core Supply Voltage	VDD_ANA, VDD_AUDIO, VDD_CORE, VDD_LO and VDD_RADIO	-0.4	1.65	V
I/O Voltage	VDD_PADS[1:0]	-0.4	3.6	V
Supply Voltage	VREGIN_L	-0.4	2.7	V
	VREGIN_H, VREGENABLE_H and VREGENABLE_L	-0.4	4.9	V
	BAT_P	-0.4	4.4	V
	LED[1:0]	-0.4	4.4	V
	VDD_CHG	-0.4	6.5	V
Other Terminal Voltages		VSS - 0.4	VDD + 0.4	V

### 12.3 Recommended Operating Conditions

Operating Condition		Min	Typ	Max	Unit
Operating Temperature Range <sup>(a)</sup>		-20	20	70	°C
Core Supply Voltage	VDD_ANA, VDD_AUDIO, VDD_CORE, VDD_LO and VDD_RADIO	1.42	1.50	1.57	V
I/O Supply Voltage	VDD_PADS[1:0]	1.7	3.3	3.6	V

<sup>(a)</sup> For radio performance over temperature refer to *BC6130 QFN Performance Specification*.

## 12.4 Input/Output Terminal Characteristics

**Note:**

For all I/O Terminal Characteristics:

- VDD\_ANA, VDD\_AUDIO, VDD\_CORE, VDD\_LO and VDD\_RADIO at 1.5V unless shown otherwise.
- VDD\_PADS[1:0] at 3.3V unless shown otherwise.
- Current drawn into a pin is defined as positive; current supplied out of a pin is defined as negative.

### 12.4.1 High-voltage Linear Regulator

Normal Operation	Min	Typ	Max	Unit
Input voltage	2.7	-	4.9	V
Output voltage ( $I_{load} = 25\text{mA}$ / $VREGIN\_H = 3.0\text{V}$ )	1.80	1.90	2.05	V
Temperature coefficient	-300	0	300	ppm/°C
Output Noise <sup>(a) (b)</sup>	-	-	1	mV rms
Load regulation ( $100\mu\text{A} < I_{load} < 25\text{mA}$ ), $\Delta V_{out}$	-	-	5	mV
Settling time <sup>(a) (c)</sup>	-	-	50	$\mu\text{s}$
Output current	-	-	25	mA
Minimum load current	5	-	-	$\mu\text{A}$
Quiescent current (excluding load, $I_{load} < 1\text{mA}$ )	30	50	60	$\mu\text{A}$
<b>Low-power Mode</b> <sup>(d)</sup>				
Quiescent current (excluding load, $I_{load} < 100\mu\text{A}$ )	11	15	21	$\mu\text{A}$

<sup>(a)</sup> Regulator output connected to 47nF pure and 4.7 $\mu\text{F}$  2.2 $\Omega$  ESR capacitors.

<sup>(b)</sup> Frequency range 100Hz to 100kHz.

<sup>(c)</sup> 1mA to 25mA pulsed load.

<sup>(d)</sup> The regulator is in low power mode when the chip is in deep sleep mode, or in reset.

### 12.4.2 Switch-mode Regulator

Switch-mode Regulator	Min	Typ	Max	Unit
Input voltage	2.7	-	4.4	V
Output voltage ( $I_{load} = 70mA$ )	1.42	1.50	1.57	V
Temperature coefficient	-250	-	250	ppm/°C
<b>Normal Operation</b>				
Output ripple	-	-	10	mV rms
Transient settling time <sup>(a)</sup>	-	-	50	μs
Maximum load current	200	-	-	mA
Conversion efficiency ( $I_{load} = 70mA$ )	-	90	-	%
Switching frequency <sup>(b)</sup>	-	1.333	-	MHz
Start-up current limit <sup>(c)</sup>	30	50	80	mA
<b>Low-power Mode <sup>(d)</sup></b>				
Output ripple	-	-	1	mV rms
Transient settling time <sup>(e)</sup>	-	-	700	μs
Maximum load current	5	-	-	mA
Minimum load current	1	-	-	μA
Conversion efficiency ( $I_{load} = 1mA$ )	-	80	-	%
Switching frequency <sup>(f)</sup>	50	-	150	kHz

<sup>(a)</sup> For step changes in load of 30 to 80mA and 80 to 30mA.

<sup>(b)</sup> Locked to crystal frequency.

<sup>(c)</sup> Current is limited on start-up to prevent excessive stored energy in the filter inductor.

<sup>(d)</sup> The regulator is in low power mode when the chip is in deep sleep mode, or in reset.

<sup>(e)</sup> 100μA to 1mA pulsed load.

<sup>(f)</sup> Defines minimum period between pulses. Pulses are skipped at low current loads.

**Note:**

The external inductor used with the switch-mode regulator must have an ESR in the range 0.3Ω to 0.7Ω:

- Low ESR < 0.3Ω causes instability.
- High ESR > 0.7Ω derates the maximum current.

### 12.4.3 Low-voltage Linear Regulator

Normal Operation	Min	Typ	Max	Unit
Input voltage	1.80	2.00	2.70	V
Output voltage ( $I_{load} = 70\text{mA}$ / $V_{REGIN\_L} = 1.7\text{V}$ )	1.42	1.50	1.57	V
Temperature coefficient	-300	0	300	ppm/°C
Output noise <sup>(a) (b)</sup>	-	-	1	mV rms
Load regulation ( $100\mu\text{A} < I_{load} < 90\text{mA}$ ), $\Delta V_{out}$	-	-	5	mV
Load regulation ( $100\mu\text{A} < I_{load} < 115\text{mA}$ ), $\Delta V_{out}$	-	-	25	mV
Settling time <sup>(a) (c)</sup>	-	-	50	$\mu\text{s}$
Output current	-	-	115	mA
Minimum load current	5	-	100	$\mu\text{A}$
Quiescent current (excluding load, $I_{load} < 1\text{mA}$ )	50	90	150	$\mu\text{A}$
<b>Low-power Mode</b> <sup>(d)</sup>				
Quiescent current (excluding load, $I_{load} < 100\mu\text{A}$ )	5	8	15	$\mu\text{A}$

<sup>(a)</sup> Regulator output connected to 47nF pure and 4.7 $\mu\text{F}$  2.2 $\Omega$  ESR capacitors.

<sup>(b)</sup> Frequency range 100Hz to 100kHz.

<sup>(c)</sup> 1mA to 115mA pulsed load.

<sup>(d)</sup> The regulator is in low power mode when the chip is in deep sleep mode, or in reset.

### 12.4.4 Battery Charger

Battery Charger	Min	Typ	Max	Unit
Input voltage	4.5	-	6.5	V

Charging Mode (BAT_P rising to 4.2V)		Min	Typ	Max	Unit
Supply current <sup>(a)</sup>		-	4.5	6	mA
Battery trickle charge current <sup>(b) (c)</sup>		-	4	-	mA
Maximum battery fast charge current (I-CTRL = 15) <sup>(c) (d)</sup>	Headroom <sup>(e)</sup> > 0.7V	-	150	-	mA
	Headroom = 0.3V	-	120	-	mA
Minimum battery fast charge current (I-CTRL = 0) <sup>(c) (d)</sup>	Headroom > 0.7V	-	40	-	mA
	Headroom = 0.3V	-	35	-	mA
Fast charge step size (I-CTRL = 0 to 15)	Spread $\pm 17\%$	-	6.3	-	mA
Trickle charge voltage threshold		-	2.9	-	V
Float voltage (with correct trim value set), V <sub>FLOAT</sub> <sup>(f)</sup>		4.17	4.2	4.23	V
Float voltage trim step size <sup>(f)</sup>		-	50	-	mV
Battery charge termination current, % of fast charge current		5	10	20	%

<sup>(a)</sup> Current into VDD\_CHG; does not include current delivered to battery ( $I_{VDD\_CHG} - I_{BAT\_P}$ )

<sup>(b)</sup> BAT\_P < Float voltage

<sup>(c)</sup> Charge current can be set in 16 equally spaced steps.

<sup>(d)</sup> Trickle charge threshold < BAT\_P < Float voltage

<sup>(e)</sup> Where headroom = VDD\_CHG - BAT\_P

<sup>(f)</sup> Float voltage can be adjusted in 15 steps. Trim setting is determined in production test and must be loaded into the battery charger by firmware during boot-up sequence

Standby Mode (BAT_P falling from 4.2V)	Min	Typ	Max	Unit
Supply current <sup>(a)</sup>	-	1.5	2	mA
Battery current	-	-5	-	$\mu$ A
Battery recharge hysteresis <sup>(b)</sup>	100	-	200	mV

<sup>(a)</sup> Current into VDD\_CHG; does not include current delivered to battery ( $I_{VDD\_CHG} - I_{BAT\_P}$ )

<sup>(b)</sup> Hysteresis of (V<sub>FLOAT</sub> - BAT\_P) for charging to restart



Shutdown Mode (VDD_CHG too low or disabled by firmware)		Min	Typ	Max	Unit
VDD_CHG under-voltage threshold	VDD_CHG rising	-	3.90	-	V
	VDD_CHG falling	-	3.70	-	V
VDD_CHG - BAT_P lockout threshold	VDD_CHG rising	-	0.22	-	V
	VDD_CHG falling	-	0.17	-	V
Supply current		-	1.5	2	mA
Battery current		-1	-	0	μA

#### 12.4.5 Reset

Power-on Reset	Min	Typ	Max	Unit
VDD_CORE falling threshold	1.13	1.25	1.30	V
VDD_CORE rising threshold	1.20	1.30	1.35	V
Hysteresis	0.05	0.10	0.15	V

#### 12.4.6 Regulator Enable

Switching Threshold	Min	Typ	Max	Unit
<b>VREGENABLE_H</b>				
Rising threshold	0.50	-	0.95	V
Falling threshold	0.35	-	0.80	V
Hysteresis	0.14	-	0.28	V
<b>VREGENABLE_L</b>				
Rising threshold	0.50	-	0.95	V
Falling threshold	0.35	-	0.80	V
Hysteresis	0.14	-	0.28	V

## 12.4.7 Digital Terminals

Supply Voltage Levels		Min	Typ	Max	Unit
VDD <sub>PRE</sub>	Pre-driver supply voltage	1.4	1.5	1.6	V
VDD I/O supply voltage (post-driver)	Full spec.	3.0	3.3	3.6	V
	Reduced spec.	1.7	-	3.0	V

Input Voltage Levels	Min	Typ	Max	Unit
V <sub>IL</sub> input logic level low	-0.3	-	0.25 x VDD	V
V <sub>IH</sub> input logic level high	0.625 x VDD	-	VDD + 0.3	V
V <sub>SCHMITT</sub> Schmitt voltage	0.25 x VDD	-	0.625 x VDD	V

Output Voltage Levels	Min	Typ	Max	Unit
V <sub>OL</sub> output logic level low, I <sub>OL</sub> = 4.0mA	0	-	0.125	V
V <sub>OH</sub> output logic level high, I <sub>OH</sub> = -4.0mA	0.75 x VDD	-	VDD	V

Input and Tristate Currents	Min	Typ	Max	Unit
I <sub>i</sub> input leakage current at V <sub>in</sub> = VDD or 0V	-100	0	100	nA
I <sub>oz</sub> tristate output leakage current at V <sub>o</sub> = VDD or 0V	-100	0	100	nA
With strong pull-up	-100	-40	-10	μA
With strong pull-down	10	40	100	μA
With weak pull-up	-5	-1.0	-0.2	μA
With weak pull-down	-0.2	1.0	5.0	μA
C <sub>1</sub> input capacitance	1.0	-	5.0	pF

Resistive Strength	Min	Typ	Max	Unit
R <sub>puw</sub> weak pull-up strength at VDD - 0.2V	0.5	-	2	MΩ
R <sub>pdw</sub> weak pull-down strength at 0.2V	0.5	-	2	MΩ
R <sub>pus</sub> strong pull-up strength at VDD - 0.2V	10	-	50	kΩ
R <sub>pds</sub> strong pull-down strength at 0.2V	10	-	50	kΩ

### 12.4.8 LED Driver Pads

LED Driver Pads		Min	Typ	Max	Unit
Off current		-	1	2	μA
On resistance	$V_{PAD} < 0.5V$	-	20	33	Ω
On resistance, pad enabled by battery charger	$V_{PAD} < 0.5V$	-	20	50	Ω

### 12.4.9 Auxiliary ADC

Auxiliary ADC		Min	Typ	Max	Unit
Resolution		-	-	10	Bits
Input voltage range <sup>(a)</sup>		0	-	$V_{DD\_ANA}$	V
Accuracy (Guaranteed monotonic)	INL	-1	-	1	LSB
	DNL	0	-	1	LSB
Offset		-1	-	1	LSB
Gain error		-0.8	-	0.8	%
Input bandwidth		-	100	-	kHz
Conversion time		-	2.5	-	μs
Sample rate <sup>(b)</sup>		-	-	700	Samples/s

<sup>(a)</sup> LSB size =  $V_{DD\_ANA}/1023$

<sup>(b)</sup> The auxiliary ADC is accessed through a VM function. The sample rate given is achieved as part of this function.

## 12.4.10 Mono Codec: Analogue to Digital Converter

Analogue to Digital Converter						
Parameter	Conditions		Min	Typ	Max	Unit
Resolution	-		-	-	16	Bits
Input Sample Rate, $F_{\text{sample}}$	-		8	-	32	kHz
Signal to Noise Ratio, SNR	$f_{\text{in}} = 1\text{kHz}$ B/W = 20Hz→20kHz A-Weighted THD+N < 1% 150mV <sub>pk-pk</sub> input	$F_{\text{sample}}$				
		8kHz	-	79	-	dB
		11.025kHz	-	77	-	dB
		16kHz	-	76	-	dB
		22.050kHz	-	76	-	dB
		32kHz	-	75	-	dB
Digital Gain	Digital Gain Resolution = 1/32dB		-24	-	21.5	dB
Analogue Gain	Analogue Gain Resolution = 3dB		-3	-3	42	dB
Input full scale at maximum gain (differential)			-	4	-	mV rms
Input full scale at minimum gain (differential)			-	800	-	mV rms
3dB Bandwidth			-	20	-	kHz
Microphone mode input impedance			-	6.0	-	k $\Omega$
THD+N (microphone input) @ 30mV rms input			-	0.04	-	%

### 12.4.11 Mono Codec: Digital to Analogue Converter

Digital to Analogue Converter						
Parameter	Conditions		Min	Typ	Max	Unit
Resolution	-		-	-	16	Bits
Output Sample Rate, $F_{\text{sample}}$	-		8	-	32	kHz
Signal to Noise Ratio, SNR	$f_{\text{in}} = 1\text{kHz}$ B/W = 20Hz→20kHz A-Weighted THD+N < 0.01% 0dBFS signal Load = 100k $\Omega$	$F_{\text{sample}}$				
		8kHz	-	95	-	dB
		11.025kHz	-	95	-	dB
		16kHz	-	95	-	dB
		22.050kHz	-	95	-	dB
		32kHz	-	95	-	dB
Digital Gain	Digital Gain Resolution = 1/32dB		-24	-	21.5	dB
Analogue Gain	Analogue Gain Resolution = 3dB		0	-	-21	dB
Output voltage full-scale swing (differential)			-	750	-	mV rms
Allowed Load	Resistive		16(8)	-	O.C.	$\Omega$
	Capacitive		-	-	500	pF
THD+N 100k $\Omega$ load			-	-	0.01	%
THD+N 16 $\Omega$ load			-	-	0.1	%
SNR (Load = 16 $\Omega$ , 0dBFS input relative to digital silence)			-	95	-	dB

### 12.4.12 Clocks

Clock Source	Min	Typ	Max	Unit
<b>Crystal Oscillator</b>				
Crystal frequency <sup>(a)</sup>	16	26	26	MHz
Digital trim range <sup>(b)</sup>	5.0	6.2	8.0	pF
Trim step size <sup>(b)</sup>	-	0.1	-	pF
Transconductance	2.0	-	-	mS
Negative resistance <sup>(c)</sup>	870	1500	2400	$\Omega$

<sup>(a)</sup> Integer multiple of 250kHz

<sup>(b)</sup> The difference between the internal capacitance at minimum and maximum settings of the internal digital trim.

<sup>(c)</sup> XTAL frequency = 16MHz; XTAL  $C_0$  = 0.75pF; XTAL load capacitance = 8.5pF.

## 13 Power Consumption

DUT Role	Connection		Packet Type	Packet Size	Average Current	Unit
Slave	SCO		HV3	30	8.84	mA
Slave	eSCO		EV3	30	8.93	mA
Slave	eSCO		2EV3	60	6.53	mA
Slave	eSCO		2EV3	30	8.46	mA
Slave	eSCO	AuriStream, 4-bit 16kHz	2EV3	60	6.65	mA
Slave	eSCO	AuriStream, 2-bit 8kHz	2EV3	60	4.58	mA
Slave	eSCO	AuriStream, 4-bit 8kHz	2EV3	60	5.26	mA
Slave	ACL	Sniff = 100ms	-	-	0.74	mA
Slave	ACL	Sniff = 500ms	-	-	0.35	mA
Slave	ACL	Sniff = 1280ms	-	-	0.25	mA
Master	SCO		HV3	30	8.93	mA
Master	eSCO		EV3	30	9.01	mA
Master	eSCO		2EV3	60	6.57	mA
Master	eSCO		2EV3	30	8.54	mA
Master	eSCO	AuriStream, 4-bit 16kHz	2EV3	60	6.66	mA
Master	eSCO	AuriStream, 2-bit 8kHz	2EV3	60	4.58	mA
Master	eSCO	AuriStream, 4-bit 8kHz	2EV3	60	5.25	mA
Master	ACL	Sniff = 100ms	-	-	0.87	mA
Master	ACL	Sniff = 500ms	-	-	0.35	mA
Master	ACL	Sniff = 1280ms	-	-	0.25	mA

**Note:**

Current consumption values are taken with:

- BAT\_P pin for switch-mode regulator = 3.7V
- RF TX power set to 0dBm
- No RF retransmissions in case of eSCO
- Microphones and speakers disconnected, with internal microphone bias circuit set to minimum current level
- Audio gateway transmits silence when SCO/eSCO channel is open
- LEDs disconnected

## 14 CSR Green Semiconductor Products and RoHS Compliance

### 14.1 RoHS Statement

BC6130 QFN where explicitly stated in this Data Sheet meets the requirements of Directive 2002/95/EC of the European Parliament and of the Council on the *Restriction of Hazardous Substance* (RoHS).

#### 14.1.1 List of Restricted Materials

BC6130 QFN is compliant with RoHS in relation to the following substances:

- Cadmium
- Lead
- Mercury
- Hexavalent chromium
- Polybrominated Biphenyl
- Polybrominated Diphenyl Ether

In addition, the following substances are not intentionally added to BC6130 QFN devices:

- Halogenated flame retardant
- Antimony (Sb) and Compounds, including Antimony Trioxide flame retardant
- Polybrominated Diphenyl and Biphenyl Oxides
- Tetrabromobisphenol-A bis (2,3-dibromopropylether)
- Asbestos or Asbestos compounds
- Azo compounds
- Organic tin compounds
- Mirex
- Polychlorinated naphthalenes
- Polychlorinated terphenyls
- Polychlorinated biphenyls
- Polychlorinated/Short chain chlorinated paraffins
- Polyvinyl Chloride (PVC) and PVC blends
- Formaldehyde
- Arsenic and compounds (except as a semiconductor dopant)
- Beryllium and its compounds
- Ethylene Glycol Monomethyl Ether or its acetate
- Ethylene Glycol Monoethyl Ether or its acetate
- Halogenated dioxins and furans
- Persistent Organic Pollutants (POP), including Perfluorooctane sulphonates
- Red phosphorous
- Ozone Depleting Chemicals (Class I and II): Chlorofluorocarbons (CFC) and Halons
- Radioactive substances

For further information, see CSR's *Environmental Compliance Statement for CSR Green Semiconductor Products*.

## 15 CSR Bluetooth Software Stack

BC6130 QFN is supplied with Bluetooth v2.1 + EDR specification compliant stack firmware, which runs on the internal RISC MCU.

The BC6130 QFN software architecture allows Bluetooth processing and the application program to be run on the internal RISC MCU. The upper layers of the Bluetooth stack, above the HCI, are run on-chip.

### 15.1 BC6130 Low-cost Mono Headset Solution Development Kit

CSR's BC6130 low-cost mono headset solution development kit for BC6130 QFN, order code DK-BC-6130-1A, includes a headset demonstrator board, form-factor representative example design, music and voice dongle and necessary interface adapters and cables. In conjunction with the BlueVox Configurator tool and other supporting utilities the development kit provides the best environment for designing a mono headset solution with BC6130 QFN.

### 15.2 BC6130 Low-cost Mono Headset Solution Software (BC6130A04)

- The CSR mono headset ROM software supports HFP v1.5 and HSP v1.1. Advanced features in these specifications are supported, including three-way calling.
- Bluetooth v2.1 + EDR specification is supported in the ROM software including Secure Simple Pairing, greatly simplifying the pairing process.
- Proximity Pairing (headset initiated pairing) for greatly simplifying the out-of-box pairing process, for more information see Section 15.5.
- For connection to more than one mobile phone Advanced Multipoint is supported. This allows a user to take calls from a work and personal phone or a work phone and a VoIP dongle for Skype users. This is supported with a minimal impact on power consumption and can be easily configured.
- The BC6130 low-cost mono headset solution includes noise reduction hardware controlled by the on-chip MCU. This improves the clarity of the speech in noisy environments.
- Most of the CSR mono headset ROM software features can be configured on the BC6130 QFN using the BlueVox Configurator tool available from [www.csrsupport.com/MonoHeadsetSolutions](http://www.csrsupport.com/MonoHeadsetSolutions). The tool can be used to read and write headset configurations directly to the EEPROM or alternatively to a PSR file. Configurable headset features include:
  - Bluetooth v2.1 + EDR specification features
  - Reconnection policies, e.g. reconnect on power on
  - Audio features, including default volumes
  - Button events: configuring button presses and durations for certain events, e.g. double press on PIO[1] for Last Number redial
  - LED indications for states, e.g. headset connected, and events, e.g. power on
  - Indication tones for events and ringtones
  - HFP v1.5 supported features
  - Battery divider ratios and thresholds, e.g. thresholds for battery low indication, full battery etc.
  - Advanced Multipoint settings
- The BC6130 low-cost mono headset solution includes the AuriStream, CSR's proprietary ADPCM codec which can be configured for low power consumption or improved audio quality
- The BC6130 low-cost mono headset solution has undergone extensive interoperability testing to ensure that it works with the majority of phones on the market

### 15.3 Advanced Multipoint Support

Advanced Multipoint allows the connection of 2 devices to BC6130 QFN at the same time. For example, this could be either 2 phones connected to a BC6130 QFN headset, or a phone and a VoIP dongle connected to a headset.

The BC6130 low-cost mono headset solution:

- Supports a maximum of 2 connections (either HFP or HSP)
- Allows multiple calls to be handled from both devices at the same time
- During a call from 1 device, all headset buttons work as in the standard use case with one device connected
- During multiple calls (1 on each device), all headset buttons work as in the standard use case for a single AG with multiple calls in progress (three-way calling)
- This implementation is easy to use with negligible effect on power consumption



## 15.4 Programmable Audio Prompts

Figure 15.1 shows that users can configure and load pre-programmed audio prompts from an external EEPROM. The prompts provide a mechanism for higher quality audio indications to replace standard tone indications. In this way, a programmable audio prompt can be assigned to any user event in place of a standard tone.

Programmable audio prompts can contain either voice prompts to indicate that events have occurred or they can provide user defined higher quality ring tones / indications, e.g. custom power on/off tones. The prompts are stored in the same EEPROM as used for standard PS Keys, see Section 8.3. In this way, a larger EEPROM is required for programmable audio prompts. EEPROMs up to 512Kb are supported for use in this way. An EEPROM of 512Kb allows approximately 15 seconds of audio to be stored.

The content of the programmable audio prompts can be generated from standard WAV audio files using the BlueVOX Configurator tool. The tool also allows the configuration of which prompts are assigned to which user events.

Section 8.3 describes the I<sup>2</sup>C interface to the external EEPROM.

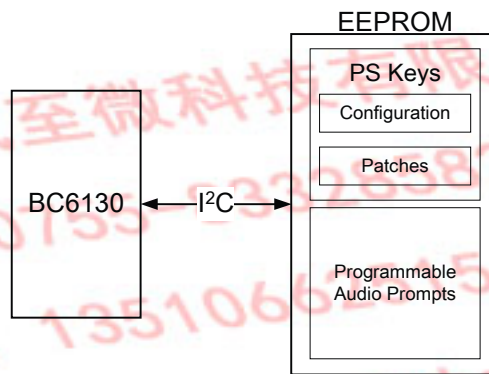


Figure 15.1: Programmable Audio Prompts in External I<sup>2</sup>C EEPROM

## 15.5 Proximity Pairing

Proximity Pairing is headset initiated pairing and it simplifies the out-of-box pairing process. Proximity Pairing allows the headset to find the closest discoverable phone. The headset then initiates the pairing activity and the user simply has to accept the incoming pairing invitation on the phone.

This means that the phone-user does not have to hunt through phone menus in order to pair with the new headset.

Depending on the phone UI:

- For a Bluetooth v2.0 phone the headset pairing is with a PIN code
- For a Bluetooth v2.1 phone the headset pairing is without a PIN code

Proximity pairing is based on finding and pairing with the closest phone. In order to do this, the headset finds the loudest phone by carrying out RSSI power threshold measurements. The loudest phone is the one with the largest RSSI power threshold measurement, and is defined as the closest device, the headset will then attempt to pair with and connect to this device.

### 15.5.1 Proximity Pairing Configuration

Proximity Pairing is configurable using the BlueVox Configurator tool available from [www.csrsupport.com/MonoHeadsetSolutions](http://www.csrsupport.com/MonoHeadsetSolutions).

## 16 Ordering Information

Device	Package			Order Number
	Type	Size	Shipment Method	
BC6130 Low-cost Mono Headset Solution	QFN 48-lead (Pb free)	7 x 7 x 0.9mm, 0.5mm pitch	Tape and reel	BC6130A04-IQQB-R

**Note:**

BC6130 QFN is a ROM-based device where the product code has the form BC6130Axx. Axx is the specific ROM-variant, A04 is the ROM-variant for BC6130 Low-cost Mono Headset Solution.

Minimum order quantity is 2kpcs taped and reeled.

**Supply chain:** CSR's manufacturing policy is to multisource volume products. For further details, contact your local sales account manager or representative.

To contact a CSR representative, email [sales@csr.com](mailto:sales@csr.com) or go to [www.csr.com/contacts](http://www.csr.com/contacts).

### 16.1 BC6130 Low-cost Mono Headset Solution Development Kit Ordering Information

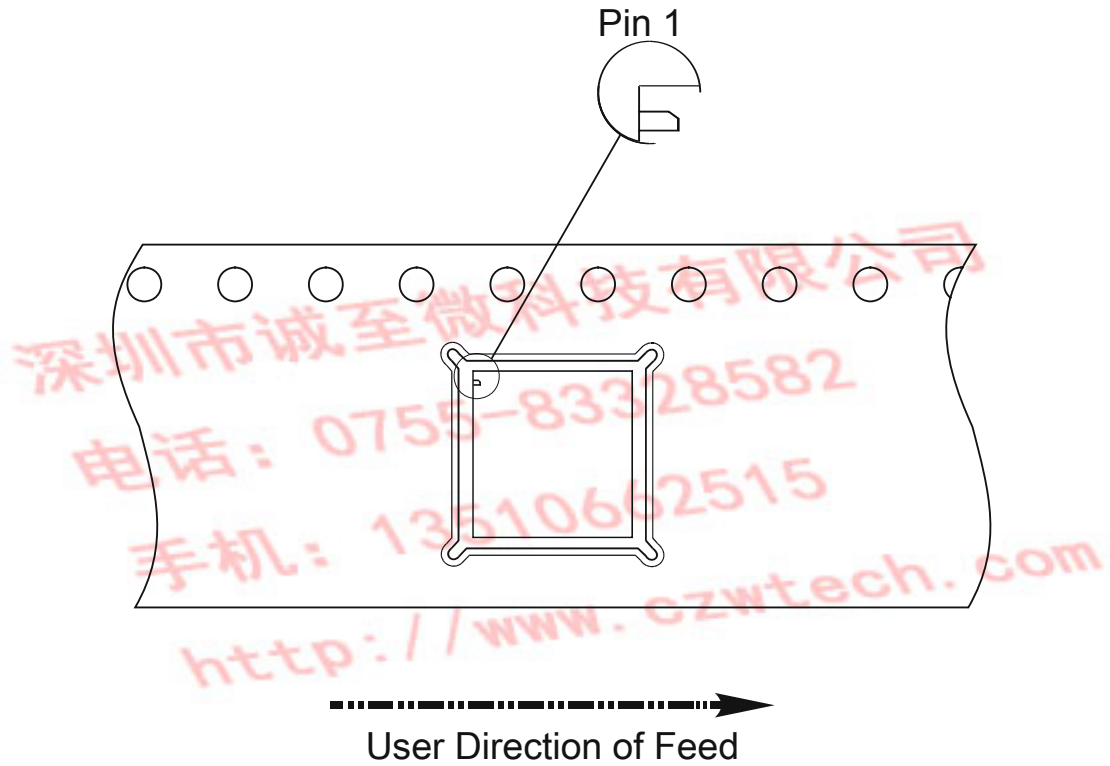
Description	Order Number
BC6130 Low-cost Mono Headset Solution Development Kit, including headset example design	DK-BC-6130-1A

## 17 Tape and Reel Information

For tape and reel packing and labelling see *IC Packing and Labelling Specification*.

### 17.1 Tape Orientation

Figure 17.1 shows the BC6130 QFN packing tape orientation.



G-TW-0002812.2.2

Figure 17.1: Tape Orientation



### 17.3 Reel Information

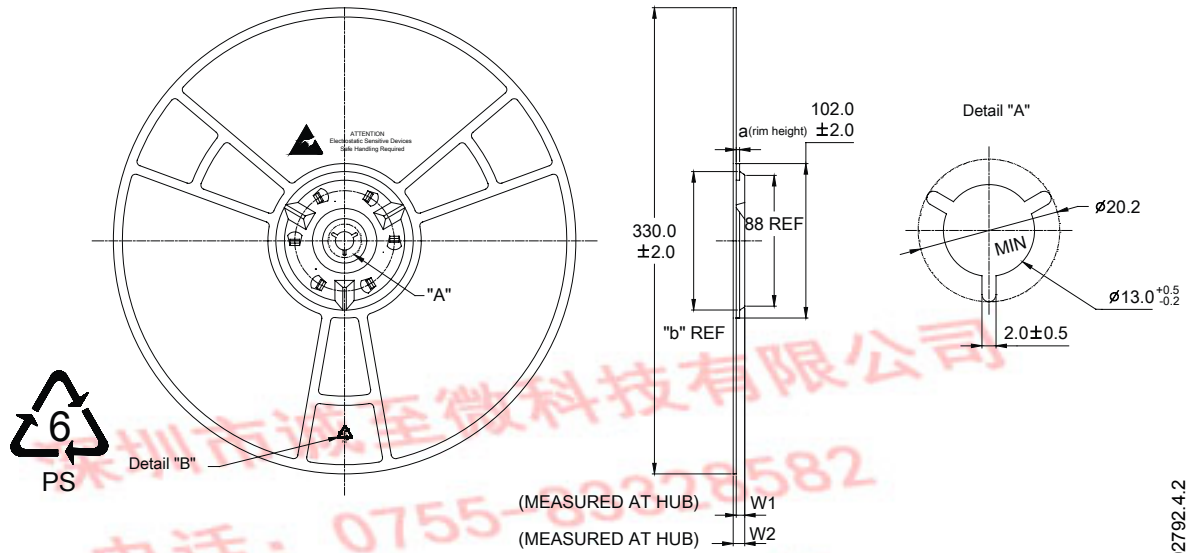


Figure 17.3: Reel Dimensions

Package Type	Nominal Hub Width (Tape Width)	a	b	W1	W2 Max	Units
7 x 7 x 0.9mm QFN	16	4.5	98.0	16.4 (3.0/-0.2)	19.1	mm

### 17.4 Moisture Sensitivity Level

BC6130 QFN is qualified to moisture sensitivity level MSL3 in accordance with JEDEC J-STD-020.

## 18 Document References

Document	Reference, Date
<i>BlueCore5 Charger Description and Calibration Procedure Application Note</i>	CS-113282-ANP
<i>BC6130 QFN Performance Specification</i>	CS-128296-SPP
<i>Core Specification of the Bluetooth System</i>	v2.1 + EDR, 26 July 2007
<i>Enhancing Microphone Bias Performance in Headset Designs using BlueVox2 Application Note</i>	CS-121678-ANP
<i>Environmental Compliance Statement for CSR Green Semiconductor Products</i>	CB-001036-ST, 27 September 2007
<i>IC Packing and Labelling Specification</i>	CS-112584-SPP
<i>Selection of I<sup>2</sup>C EEPROMS for Use with BlueCore</i>	bcore-an-008P, 2004
<i>Test Suite Structure (TSS) and Test Purposes (TP) System Specification 1.2/2.0/2.0 + EDR/ 2.1/2.1 + EDR</i>	RF.TS/2.1.E.0, 27 December 2006
<i>Typical Solder Reflow Profile for Lead-free Device</i>	CS-116434-ANP
<i>Using SPI Design Guide</i>	CS-126179-UGP

## Terms and Definitions

Term	Definition
8DPSK	8-phase Differential Phase Shift Keying
$\pi/4$ DQPSK	$\pi/4$ rotated Differential Quaternary Phase Shift Keying
$\mu$ -law	Audio companding standard (G.711)
A-law	Audio companding standard (G.711)
ACL	Asynchronous Connection-oriented
ADC	Analogue to Digital Converter
ADPCM	Adaptive Differential Pulse Code Modulation (e.g G.726)
AFH	Adaptive Frequency Hopping
AG	Audio Gateway
AGC	Automatic Gain Control
AIO	Analogue Input/Output
AuriStream	CSR proprietary ADPCM codec
BIST	Built-In Self-Test
Bluetooth®	Set of technologies providing audio and data transfer over short-range radio connections
BMC	Burst Mode Controller
CFC	Chlorofluorocarbon
codec	Coder decoder
CRC	Cyclic Redundancy Check
CSR	Cambridge Silicon Radio
CVSD	Continuous Variable Slope Delta Modulation
DAC	Digital to Analogue Converter
DC	Direct Current
DNL	Differential Non Linearity (ADC accuracy parameter)
DUT	Device Under Test
e.g.	<i>exempli gratia</i> , for example
eBOM	Electronic Bill of Materials
EDR	Enhanced Data Rate
EEPROM	Electrically Erasable Programmable Read Only Memory
eSCO	Extended SCO
ESD	Electrostatic Discharge
ESR	Equivalent Series Resistance
FET	Field Effect Transistor
FSK	Frequency Shift Keying
GFSK	Gaussian Frequency Shift Keying
HCI	Host Controller Interface
HFP	Hands-Free Profile
HSP	HeadSet Profile
I <sup>2</sup> C	Inter-Integrated Circuit Interface
I/O	Input/Output
IC	Integrated Circuit
IF	Intermediate Frequency

Term	Definition
IIR	Infinite Impulse Response (filter)
INL	Integral Non Linearity (ADC accuracy parameter)
IQ	In-Phase and Quadrature
JEDEC	Joint Electron Device Engineering Council (now the JEDEC Solid State Technology Association)
LC	An inductor (L) and capacitor (C) network
LED	Light-Emitting Diode
LNA	Low Noise Amplifier
MCU	MicroController Unit
MISO	Master In Slave Out
MMU	Memory Management Unit
NSMD	Non Solder Mask Defined
PA	Power Amplifier
PCM	Pulse Code Modulation
PD	Pull-down
PIN	Personal Identification Number
PIO	Programmable Input/Output
POP	Persistent Organic Pollutants
ppm	parts per million
PS Key	Persistent Store Key
PSRR	Power Supply Rejection Ratio
PU	Pull-up
PVC	Poly Vinyl Chloride
QFN	Quad-Flat No-lead
RAM	Random Access Memory
RC	Resistor Capacitor
RF	Radio Frequency
RFCOMM	Radio Frequency COMMunication. Protocol layer providing serial port emulation over L2CAP
RISC	Reduced Instruction Set Computer
RoHS	Restriction of Hazardous Substances in Electrical and Electronic Equipment Directive (2002/95/EC)
ROM	Read Only Memory
RSSI	Received Signal Strength Indication
RX	Receive or Receiver
SCO	Synchronous Connection-Oriented
SPI	Serial Peripheral Interface
SPL	Sound Pressure Level
TX	Transmit or Transmitter
UART	Universal Asynchronous Receiver Transmitter
UI	User Interface
VCO	Voltage Controlled Oscillator
VM	Virtual Machine
VoIP	Voice over Internet Protocol