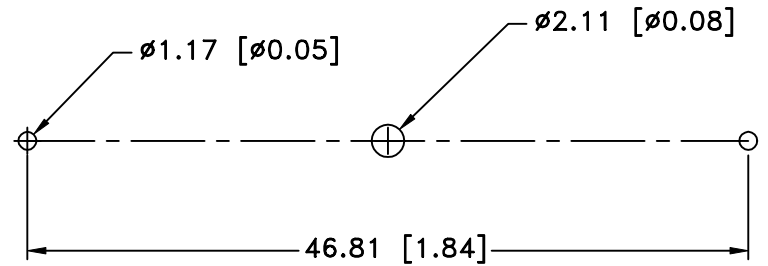
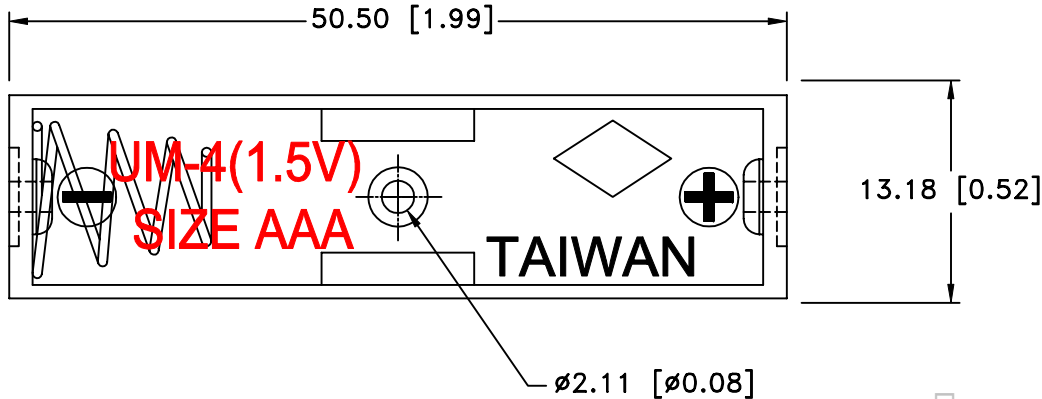
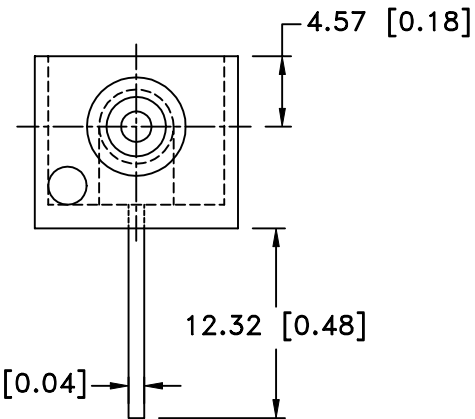
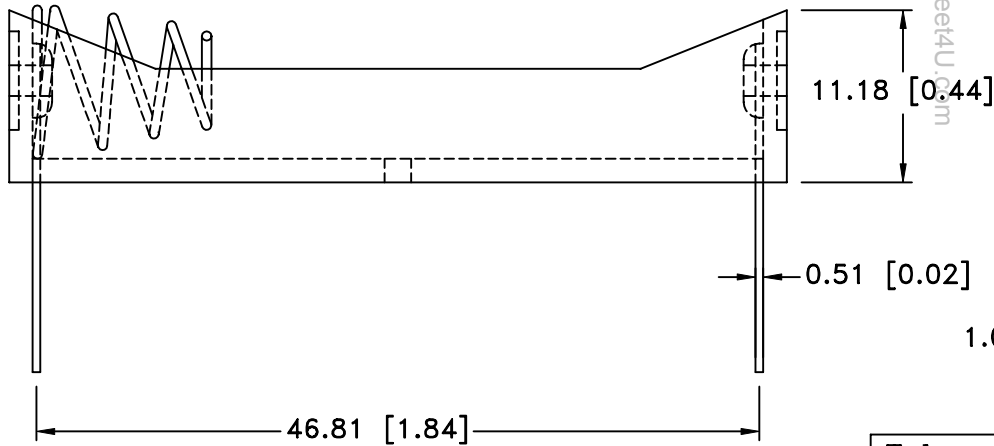


Date	SYM	REVISION RECORD	AUTH	DR.	CK.




PCB LAYOUT



NOTES:

1. MATERIAL:

- HOUSING : BLACK ABS
- RIVETS: BRASS, NICKLE PLTD.
- SPRING: SPRING STEEL, NICKLE PLTD.
- CONTACTS: SPRING STEEL, NICKLE PLTD.

Tolerance (Except as noted)	 Memory Protection Devices, Inc 200 Broad Hollow Road, Farmingdale, New York 11735		
decimal $\pm .5$ (.020)	Scale	Drawn By B.S. Approved By T.B.	
Fractional $\pm .8$ (.030)	Title	ONE "AAA" CELL HOLDER	
Angular $\pm 3^\circ$	Date	Drawing Number BCAAAPC	
	08/01/01		