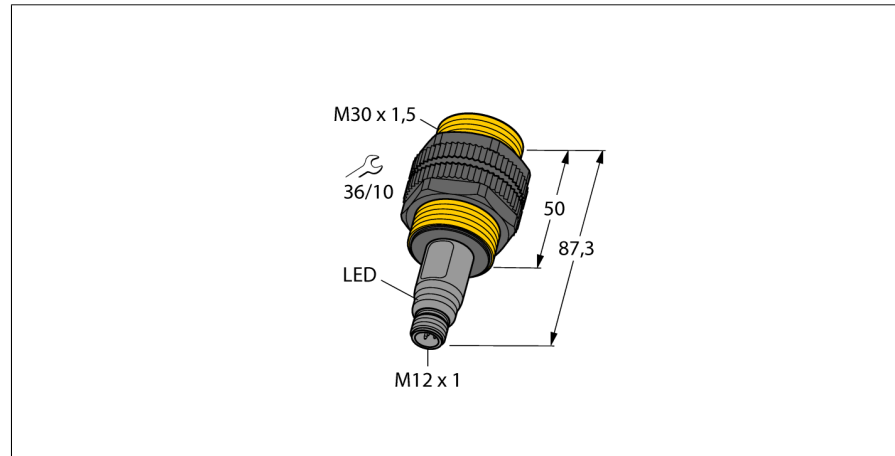
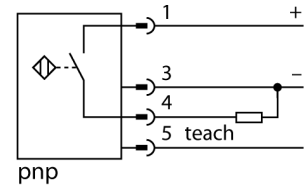


Capacitive sensor
BCT10-S30-UP6X2-H1151



- Threaded barrel, M30 x 1.5
- Plastic, PA12-GF30
- Teach-in and configuration via pin 5

Wiring diagram



Functional principle

Capacitive proximity switches are designed for non-contact and wear-free detection of electrically conductive as well as non-conductive metal objects.

Type code	BCT10-S30-UP6X2-H1151
Ident no.	2101700
Rated switching distance (flush)	10 mm
Rated switching distance (non-flush)	15 mm
Assured switching distance	≤ (0.72 x S _n) mm
Hysteresis	2...20 %
Temperature drift	type 20 %
Repeatability	≤ 2 % of full scale
Ambient temperature	-25...+70 °C
Operating voltage	10...30VDC
Residual ripple	≤ 10 % U _{ss}
DC rated operational current	≤ 200 mA
No-load current I ₀	≤ 15 mA
Residual current	≤ 0.1 mA
Switching frequency	0.01 kHz
Rated insulation voltage	≤ 0.5 kV
Short-circuit protection	yes/ cyclic
Voltage drop at I ₀	≤ 2.4 V
Wire breakage / Reverse polarity protection	yes/ complete
Construction	threaded barrel, M30 x 1.5
Dimensions	87.3 mm
Housing material	plastic, PA12-GF30, PEI
Material active area	plastic, PA, yellow
Admissible pressure on front cap	≤ 3 bar
Max. tightening torque housing nut	5 Nm
Connection	male, M12 x 1
Vibration resistance	55 Hz (1 mm)
Shock resistance	30 g (11 ms)
IP Rating	IP67 / IP69K
MTTF	1080 years acc. to SN 29500 (Ed. 99) 40 °C
Switching state	LED yellow

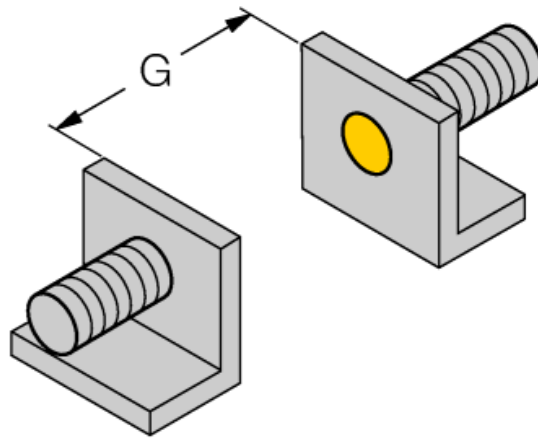
Capacitive sensor BCT10-S30-UP6X2-H1151

TURCK

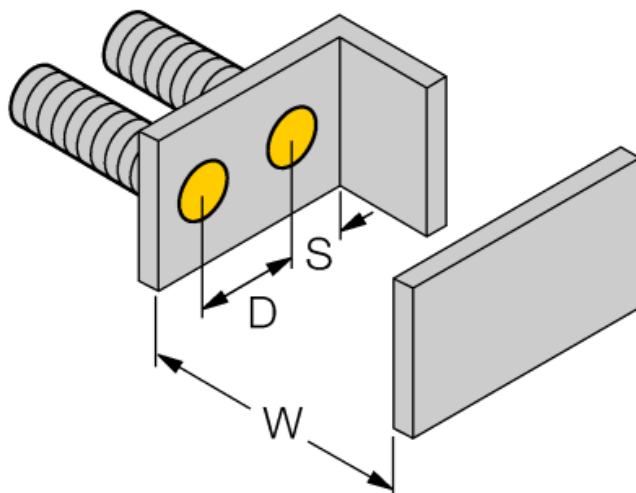
Industrial
Automation

Mounting instructions / Description	minimum distances
Distance D	60 mm
Distance W	30 mm
Distance S	45 mm
Distance G	60 mm

Diameter of the active area B \varnothing 30 mm



The given minimum distances have been checked against the standard switching distance. Should the sensitivity of the sensors be changed via potentiometer, the data sheet specifications no longer apply.



Capacitive sensor
BCT10-S30-UP6X2-H1151

Accessories

Type code	Ident no.	Description	Design
MAP-M30	6950013	Mounting adapter; material: Polypropylene; sensor replacement with filled container possible (adapter remains in container during sensor replacement)	
BST-30B	6947216	Fixing clamp for threaded barrel devices, with dead-stop; material: PA6	