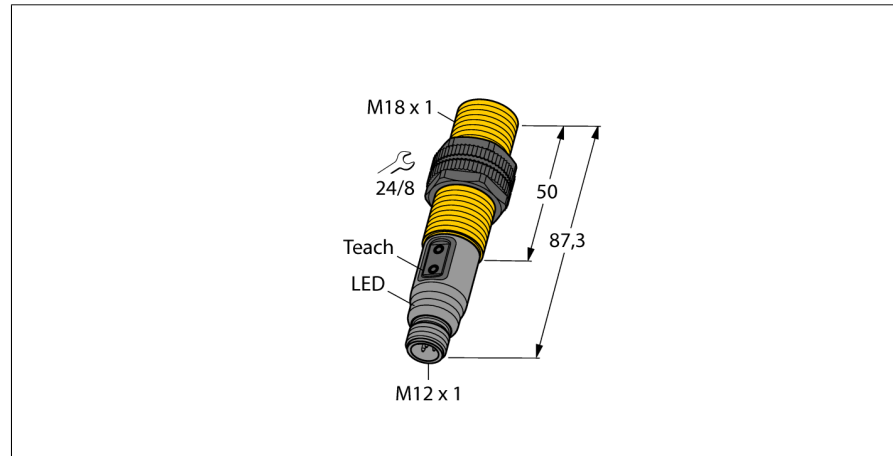
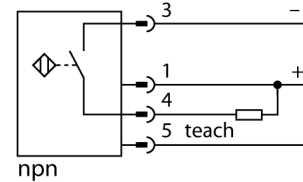


Capacitive sensor
BCT5-S18-UN6X2T-H1151



- Threaded barrel, M18 x 1
- Plastic, PA12-GF30
- Teach-in and configuration via button and pin 5

Wiring Diagram



Functional principle

Capacitive proximity switches are designed for non-contact and wear-free detection of electrically conductive as well as non-conductive metal objects.

Type code	BCT5-S18-UN6X2T-H1151
Ident no.	2101200
Rated switching distance (flush)	5 mm
Rated switching distance (non-flush)	7.5 mm
Assured switching distance	≤ (0.72 x S _n) mm
Hysteresis	2...20 %
Temperature drift	type 20 %
Repeatability	≤ 2 % of full scale
Ambient temperature	-25...+70 °C
Operating voltage	10... 30VDC
Residual ripple	≤ 10 % U _{ss}
DC rated operational current	≤ 200 mA
No-load current I ₀	≤ 15 mA
Residual current	≤ 0.1 mA
Switching frequency	0.01 kHz
Rated insulation voltage	≤ 0.5 kV
Short-circuit protection	yes/ cyclic
Voltage drop at I ₀	≤ 2.4 V
Wire breakage / Reverse polarity protection	yes/ complete
Construction	threaded barrel, M18 x 1
Housing material	plastic, PA12-GF30, PEI
Active area material	Plastic, PA12-GF30, yellow
Admissible pressure on front cap	≤ 6 bar
Max. tightening torque housing nut	2 Nm
Vibration resistance	55 Hz (1 mm)
Shock resistance	30 g (11 ms)
Protection class	IP67
MTTF	1080 years acc. to SN 29500 (Ed. 99) 40 °C
Switching state	LED gelb

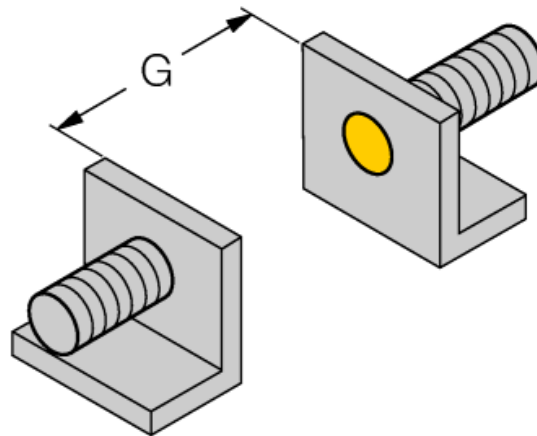
Capacitive sensor BCT5-S18-UN6X2T-H1151

TURCK

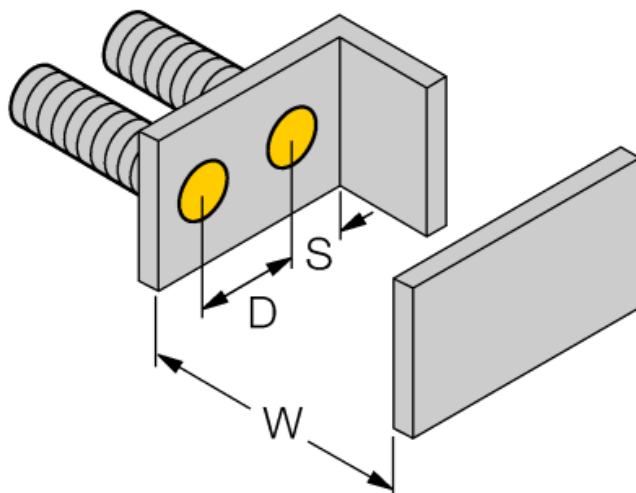
Industrial
Automation

Mounting instructions / Description	minimum distances
Distance D	36 mm
Distance W	15 mm
Distance S	27 mm
Distance G	30 mm

Diameter of the active area B \varnothing 18 mm



The given minimum distances have been checked against the standard switching distance. Should the sensitivity of the sensors be changed via potentiometer, the data sheet specifications no longer apply.



Capacitive sensor
BCT5-S18-UN6X2T-H1151

TURCK

Industrial
Automation

Accessories

Type code	Ident no.	Description	Design
BS 18	69471	Mounting bracket for threaded barrel devices; material: PA66-GF	
BSN 18	69472	Fixing clamp; material: PA66-GF	
BST-18B	6947214	Fixing clamp for threaded barrel devices, with dead-stop; material: PA6	
MAP-M18	6950012	Mounting adapter; material: Polypropylene; sensor replacement with filled container possible (adapter remains in container during sensor replacement)	