

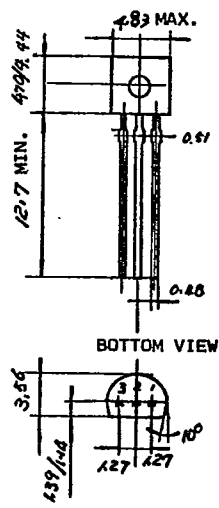
Medium Power Amplifiers and Switches

TYPE NO.	POLARITY	CASE	MAXIMUM RATINGS			H_{FE}				$V_{CE(SAT)}$		f_T min (MHz)	Cob max (pF)	COMPLEMENTARY TYPE
			Pd (mW)	I_C (A)	V_{CEO} (V)	min	max	I_C (mA)	V_{CE} (V)	max (V)	I_C (A)			
BC 432	P	TO-92F	625	0.8	60	63	240 †	100	1	0.7	0.5	100+	17+	BC 431
BC 440	N	TO-39	1000	1	40	40	250 †	500	4	1	1	50	25	BC 460
BC 441	N	TO-39	1000	1	60	40	250 †	500	4	1	1	50	25	BC 461
BC 445	N	TO-92F	625	0.3	60	50	460 †	2	5	0.25	0.1	100	3+	BC 446
BC 446	P	TO-92F	625	0.3	60	50	460 †	2	5	0.25	0.1	100	3+	BC 445
BC 460	P	TO-39	1000	1	40	40	250 †	500	4	1	1	50	25	BC 440
BC 461	P	TO-39	1000	1	60	40	250 †	500	4	1	1	50	25	BC 441
BC 485	N	TO-92F	625	1	45	60	400 †	100	2	0.5	0.5	200+	7+	BC 486
BC 486	P	TO-92F	625	1	45	60	400 †	100	2	0.5	0.5	150+	9+	BC 485
BC 487	N	TO-92F	625	1	60	60	400 †	100	2	0.5	0.5	200+	7+	BC 488
BC 488	P	TO-92F	625	1	60	60	400 †	100	2	0.5	0.5	150+	9+	BC 487
BC 489	N	TO-92F	625	1	80	60	400 †	100	2	0.5	0.5	200+	7+	BC 490
BC 490	P	TO-92F	625	1	80	60	400 †	100	2	0.5	0.5	150+	9+	BC 489
BC 512	P	TO-92F	300	0.2	45	60	300 †	2	5	0.6	0.1	200	5+	—
BC 513	P	TO-92F	300	0.2	25	80	400 †	2	5	0.6	0.1	200	5+	—
BC 514	P	TO-92F	300	0.2	20	140	400 †	2	5	0.6	0.1	200	5+	—
BC 526	P	TO-92A	625	0.2	50	60	800 †	2	5	0.6	0.1	100	5	—
BC 527	P	TO-92A	625	1	60	40	400 †	100	1	0.7	0.5	100	15	BC 537
BC 528	P	TO-92A	625	1	80	40	400 †	100	1	0.7	0.5	100	15	BC 538
BC 534	P	TO-92A	625	0.5	80	50	—	10	1	0.25	0.1	50	6.5	BC 535
BC 535	N	TO-92A	625	0.5	80	50	—	10	1	0.25	0.1	50	6	BC 534
BC 537	N	TO-92A	625	1	60	40	400 †	100	1	0.7	0.5	100	15	BC 527
BC 538	N	TO-92A	625	1	80	40	400 †	100	1	0.7	0.5	100	15	BC 528
BC 612	P	TO-92F	300	0.2	70	60	300	2	5	0.72	2	200	10	BC 682
BC 612L	P	TO-92B	300	0.2	70	60	300	2	5	0.72	2	200	10	BC 682L
BC 635	N	TO-92B	700	1	45	40	250	150	2	0.5	0.5	50	11+	BC 636
BC 636	P	TO-92B	700	1	45	40	250	150	2	0.5	0.5	50	18+	BC 635
BC 637	N	TO-92B	700	1	60	40	160	150	2	0.5	0.5	50	11+	BC 638
BC 638	P	TO-92B	700	1	60	40	160	150	2	0.5	0.5	50	18+	BC 637
BC 639	N	TO-928	700	1	80	40	160	150	2	0.5	0.5	50	11+	BC 640
BC 640	P	TO-92B	700	1	80	40	160	150	2	0.5	0.5	50	18+	BC 639
BC 727	P	TO-92A	625	1.5	40	63	630 †	100	1	0.7	0.5	40	20	BC 737
BC 728	P	TO-92A	625	1.5	25	63	630 †	100	1	0.7	0.5	40	20	BC 738
BC 737	N	TO-92A	625	1.5	40	63	630 †	100	1	0.7	0.5	40	20	BC 727
BC 738	N	TO-92A	625	1.5	25	63	630 †	100	1	0.7	0.5	40	20	BC 728
BCW 34	N	TO-18	360	0.6	45	100	350	10	5	0.1	0.01	150	6	BCW 35
BCW 35	P	TO-18	360	0.6	45	100	350	10	5	0.1	0.01	150	6	BCW 34
BCW 36	N	TO-92F	360	0.6	45	100	350	10	5	0.1	0.01	150	6	BCW 37
BCW 37	P	TO-92F	360	0.6	45	100	350	10	5	0.1	0.01	150	6	BCW 36
BCW 73	N	TO-18	450	0.8	32	100	630 †	100	1	0.7	0.5	100	12	—
BCW 74	N	TO-18	450	0.8	45	100	630 †	100	1	0.7	0.5	100	12	—
BCW 75	P	TO-18	450	0.8	32	63	400 †	100	1	0.7	0.5	100	18	—
BCW 76	P	TO-18	450	0.8	45	63	400 †	100	1	0.7	0.5	100	18	—
BCW 77	N	TO-39	870	0.8	32	100	630 †	100	1	0.7	0.5	100	18	—
BCW 78	N	TO-39	870	0.8	45	100	630 †	100	1	0.7	0.5	100	12	—
BCW 79	P	TO-39	870	0.8	32	63	400 †	100	1	0.7	0.5	100	18	—
BCW 80	N	TO-39	870	0.8	45	63	400 †	100	1	0.7	0.5	100	18	—
BCW 90	P	TO-92F	610	0.8	40	100	400 †	150	2	0.25	0.15	100+	15	BCW 92
BCW 91	N	TO-92F	610	0.8	60	100	300 †	150	2	0.25	0.15	100+	15	BCW 93
BCW 92	P	TO-92F	610	0.8	60	100	300 †	150	2	0.25	0.15	135	15	BCW 90
BCW 93	P	TO-92F	610	0.8	60	100	300 †	150	2	0.25	0.15	135	10+	BCW 91

† H_{FE} groupings available + Typical value

Mechanical Outlines

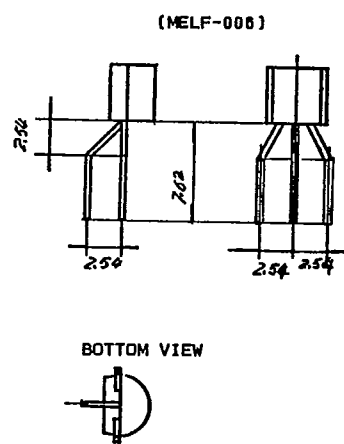
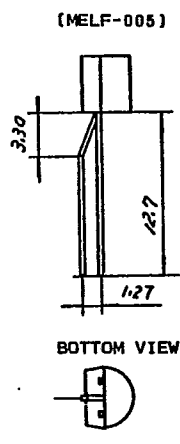
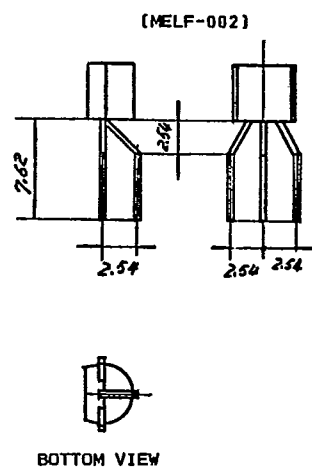
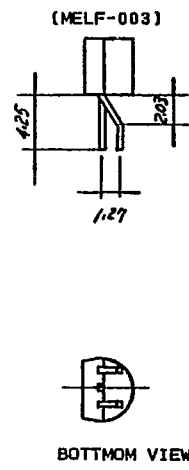
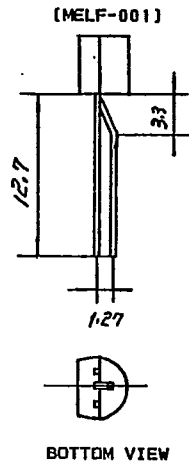
TO-92



LEAD CODE	1	2	3
A	E	B	C
B	E	C	B
C	B	E	C
D	B	C	E
E*	C	E	B
F*	C	B	E
BA*	K	A	G
BF*	A	G	K
DA	B	G	D
DB	S	D	G
DC	D	G	B
DD	D	S	G
DE*	G	S	D
DF*	G	D	S
VOLTAGE REGULATOR			
D	O	G	L

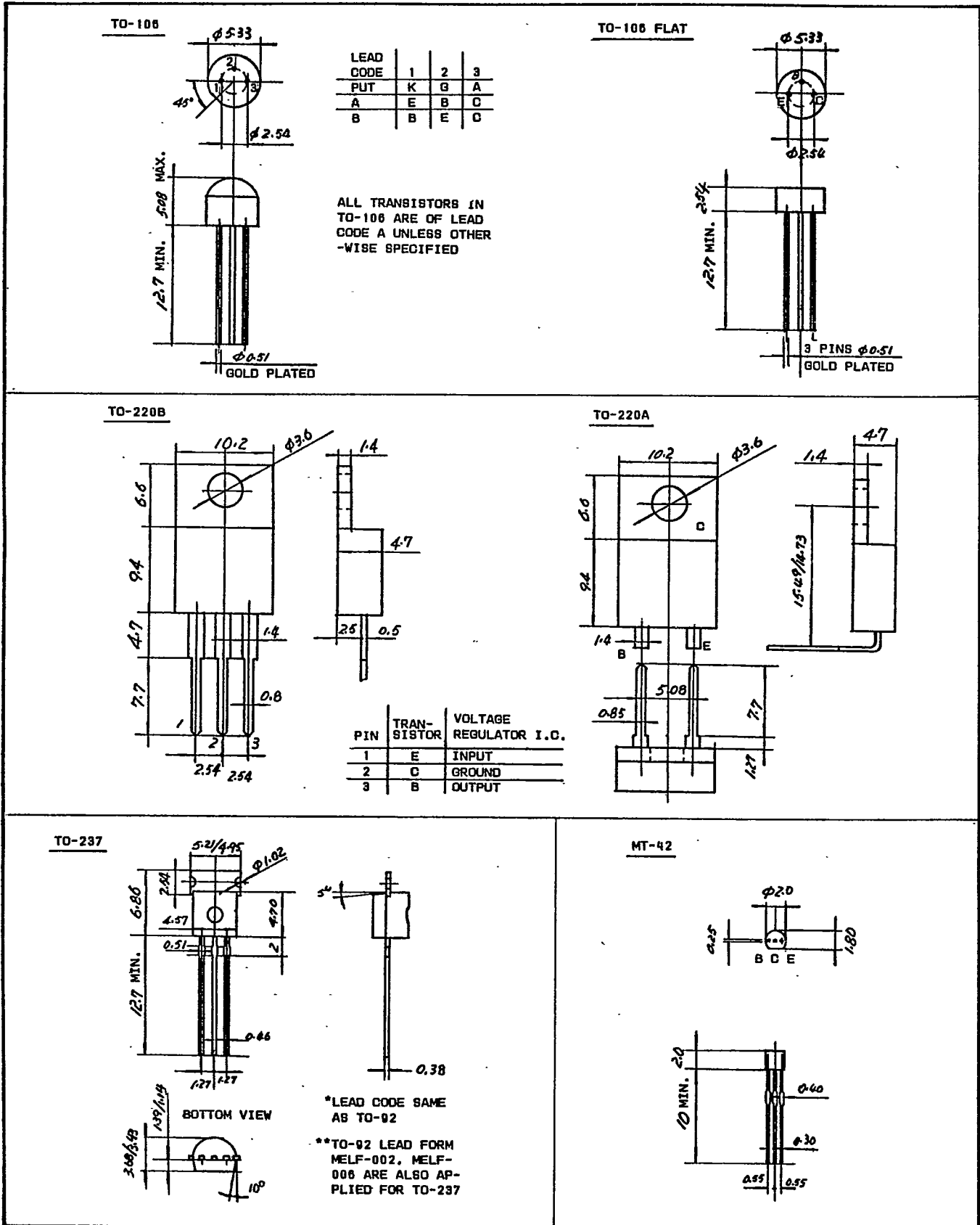
*ALL LEAD FORM TO MELF-001 UNLESS OTHERWISE NOTED.

TO-92 LEAD FORM



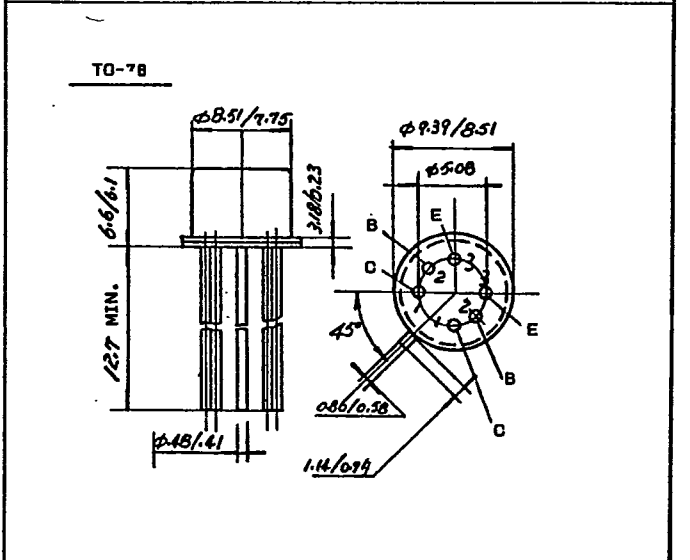
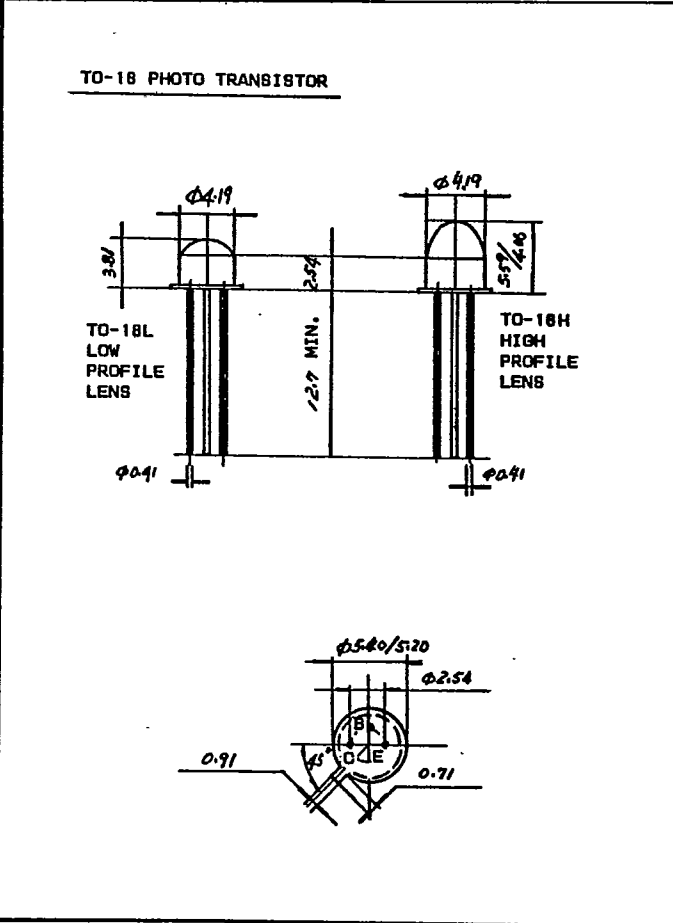
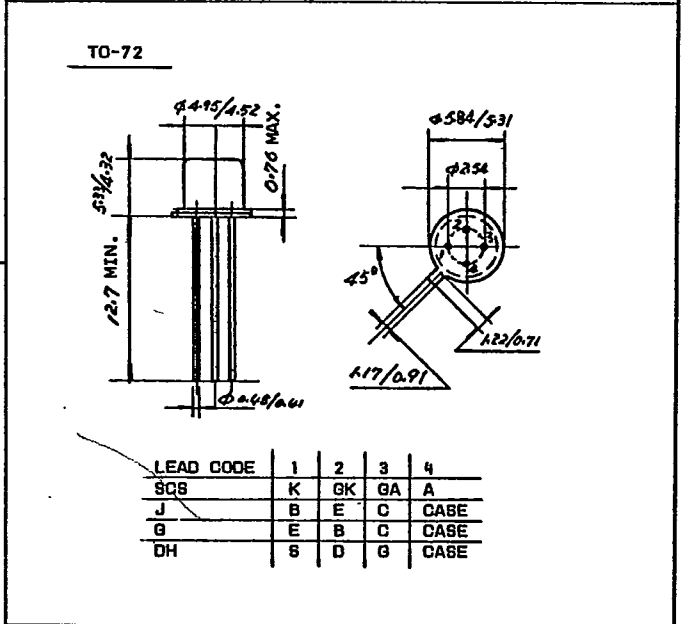
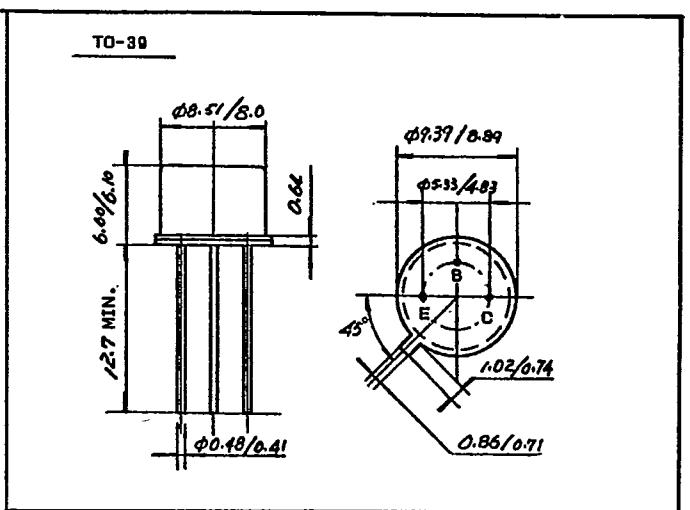
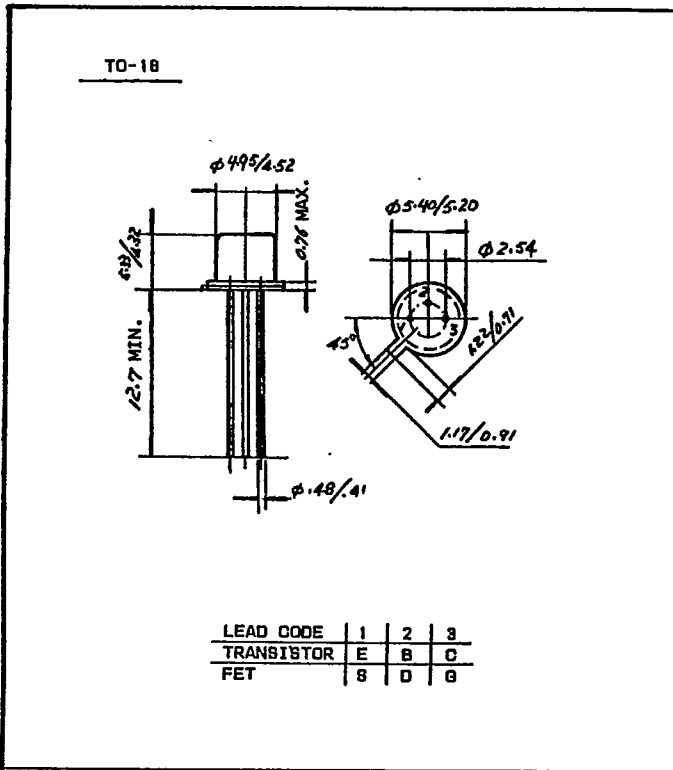
ALL DIMENSIONS IN mm

Mechanical Outlines



ALL DIMENSIONS IN mm

Mechanical Outlines



ALL DIMENSIONS IN mm