

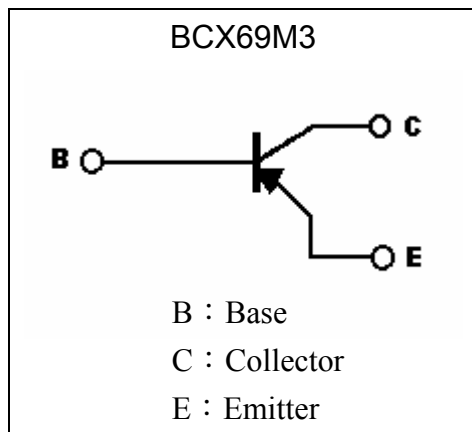
General Purpose PNP Epitaxial Planar Transistor

BCX69M3

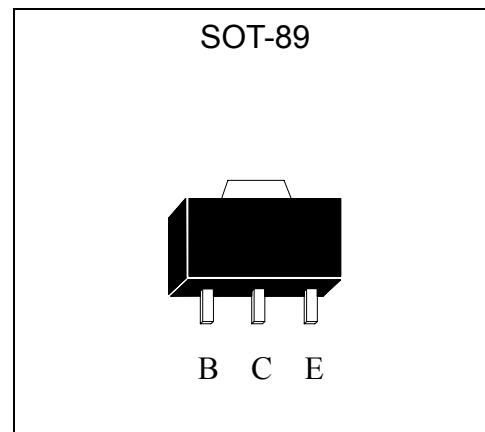
Features

- Large continuous collector current capability
- Low collector saturation voltage
- Complementary to BCX68M3
- Pb-free package

Symbol



Outline



Absolute Maximum Ratings (Ta=25°C)

Parameter	Symbol	Limits	Unit
Collector-Base Voltage	V _{CB0}	-40	V
Collector-Emitter Voltage	V _{CEO}	-30	V
Emitter-Base Voltage	V _{EBO}	-5	V
Collector Current(DC)	I _C	-1	A
Collector Current(Pulse)	I _{CP}	-2	A
Power Dissipation	Pd	0.6	W
		1 (Note 1)	W
		2 (Note 2)	W
Junction Temperature	T _j	150	°C
Storage Temperature	T _{stg}	-55~+150	°C

Note : 1. When mounted on FR-4 PCB with area measuring 10×10×1 mm
 2 . When mounted on ceramic with area measuring 40×40×1 mm

**Characteristics (Ta=25°C)**

Symbol	Min.	Typ.	Max.	Unit	Test Conditions
BV_{CBO}	-40	-	-	V	$I_C=-100\mu A$
BV_{CEO}	-30	-	-	V	$I_C=-10mA$
BV_{EBO}	-5	-	-	V	$I_E=-100\mu A$
I_{CBO}	-	-	-100	nA	$V_{CB}=-30V$
I_{EBO}	-	-	-100	nA	$V_{EB}=-5V$
* $V_{CE(sat)}$	-	-	-0.25	V	$I_C=-500mA, I_B=-50mA$
* $V_{CE(sat)}$	-	-	-0.5	V	$I_C=-1A, I_B=-100mA$
* $V_{CE(sat)}$	-	-	-1.0	V	$I_C=-2A, I_B=-200mA$
* $V_{BE(on)}$	-	-	-1.0	V	$V_{CE}=-1V, I_C=-1A$
* $h_{FE} 1$	100	-	-	-	$V_{CE}=-1V, I_C=-5mA$
* $h_{FE} 2$	100	-	400	-	$V_{CE}=-1V, I_C=-500mA$
* $h_{FE} 3$	60	-	-	-	$V_{CE}=-1V, I_C=-1A$
f_T	100	-	-	MHz	$V_{CE}=-5V, I_C=-100mA, f=100MHz$
Cob	-	-	25	pF	$V_{CB}=-10V, I_E=0A, f=1MHz$

*Pulse Test: Pulse Width $\leq 380\mu s$, Duty Cycle $\leq 2\%$ **Classification Of $h_{FE} 2$**

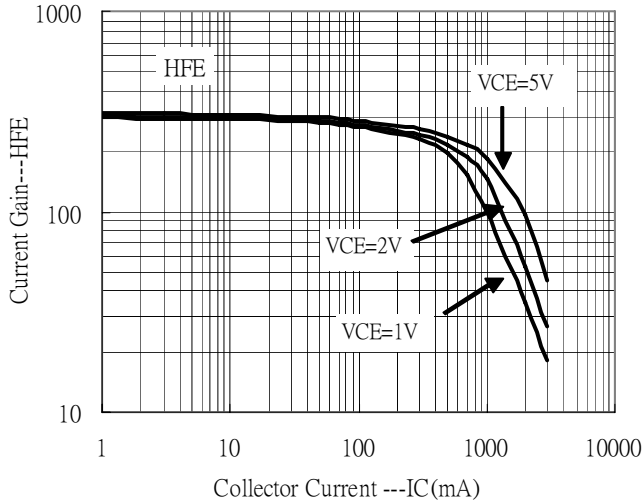
Rank	16	25
Range	100~250	160~400

Ordering Information

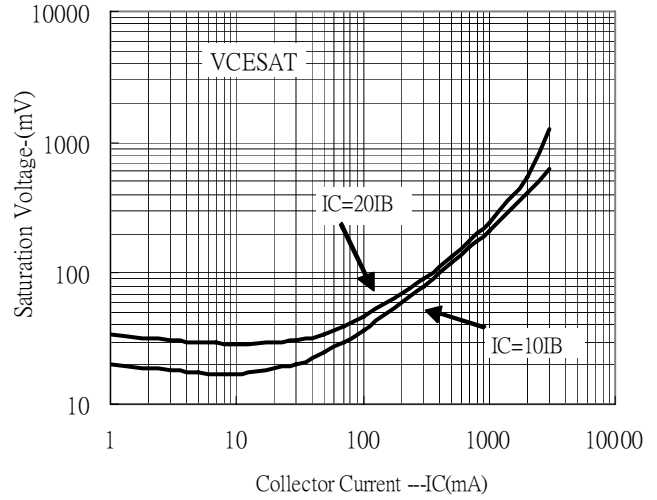
Device	Package	Shipping	Marking
BCX69M3	SOT-89 (Pb-free)	1000 pcs / Tape & Reel	AH

Characteristic Curves

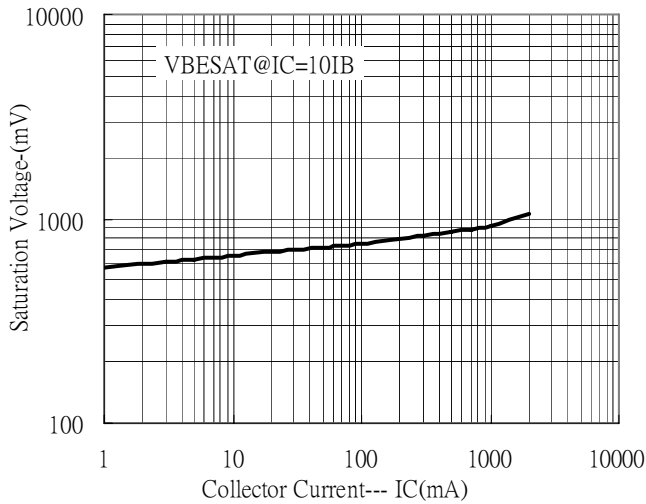
Current Gain vs Collector Current



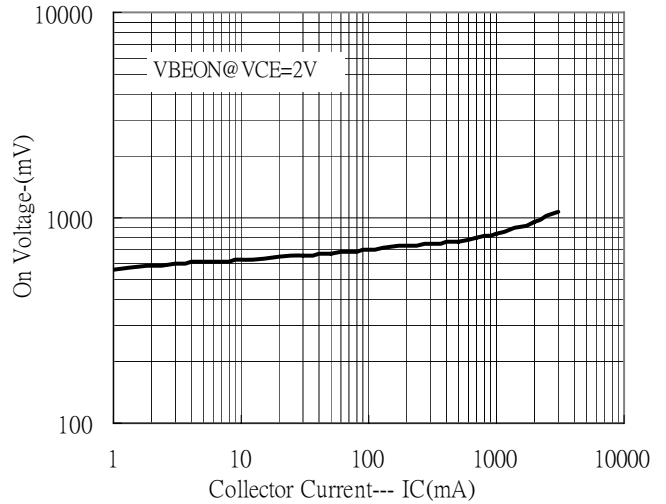
Saturation Voltage vs Collector Current



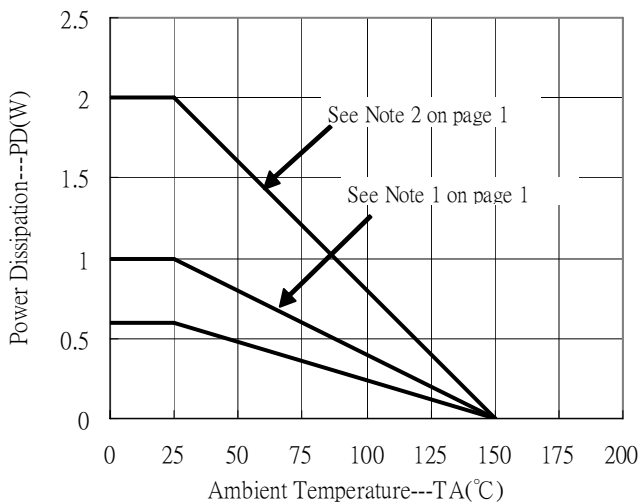
Saturation Voltage vs Collector Current



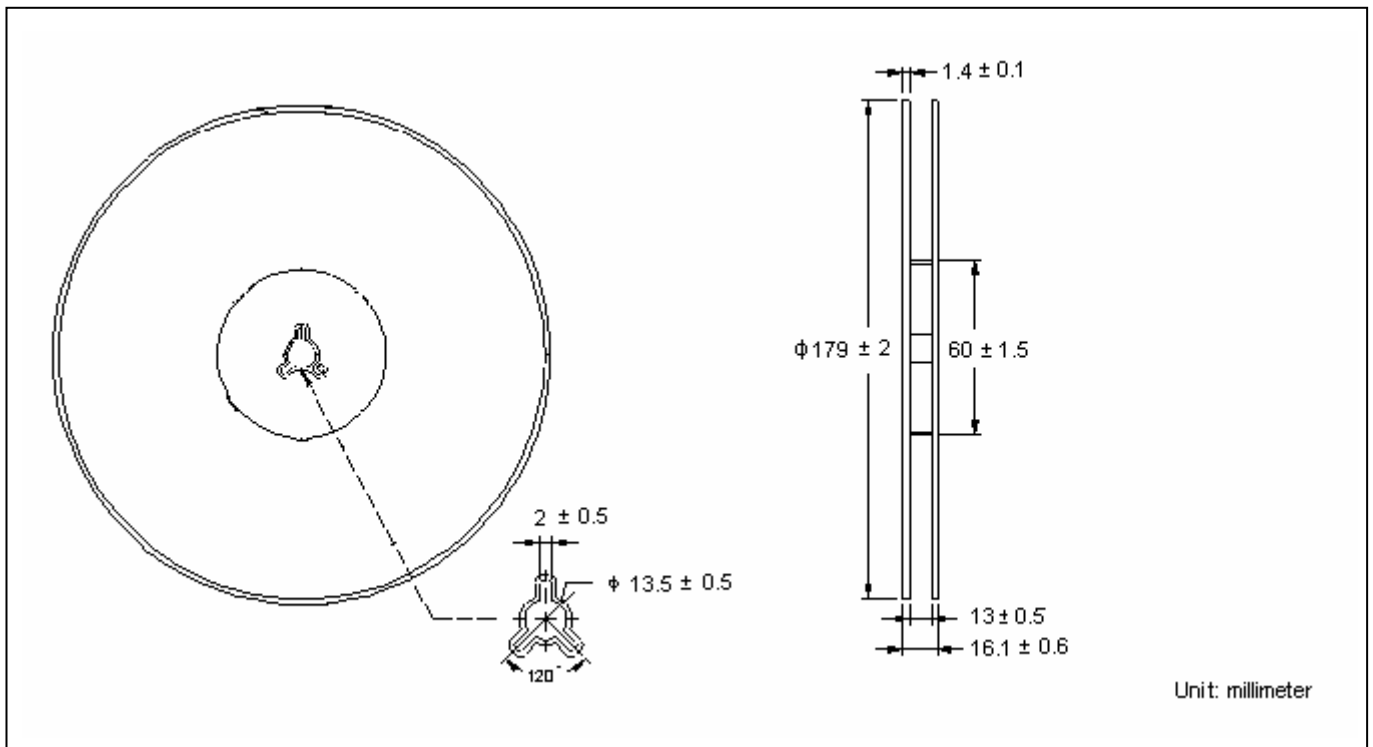
On Voltage vs Collector Current



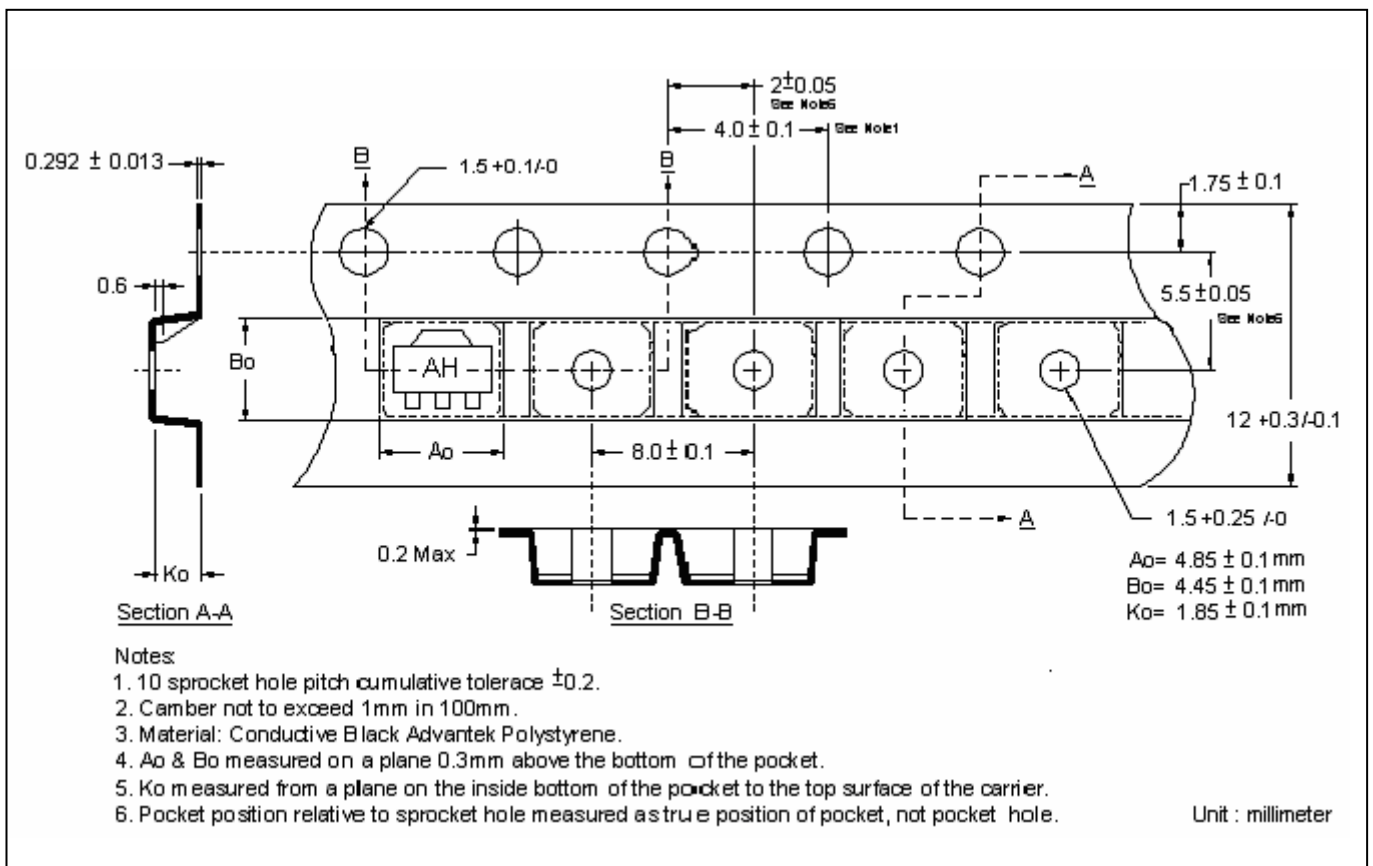
Power Derating Curves



Reel Dimension



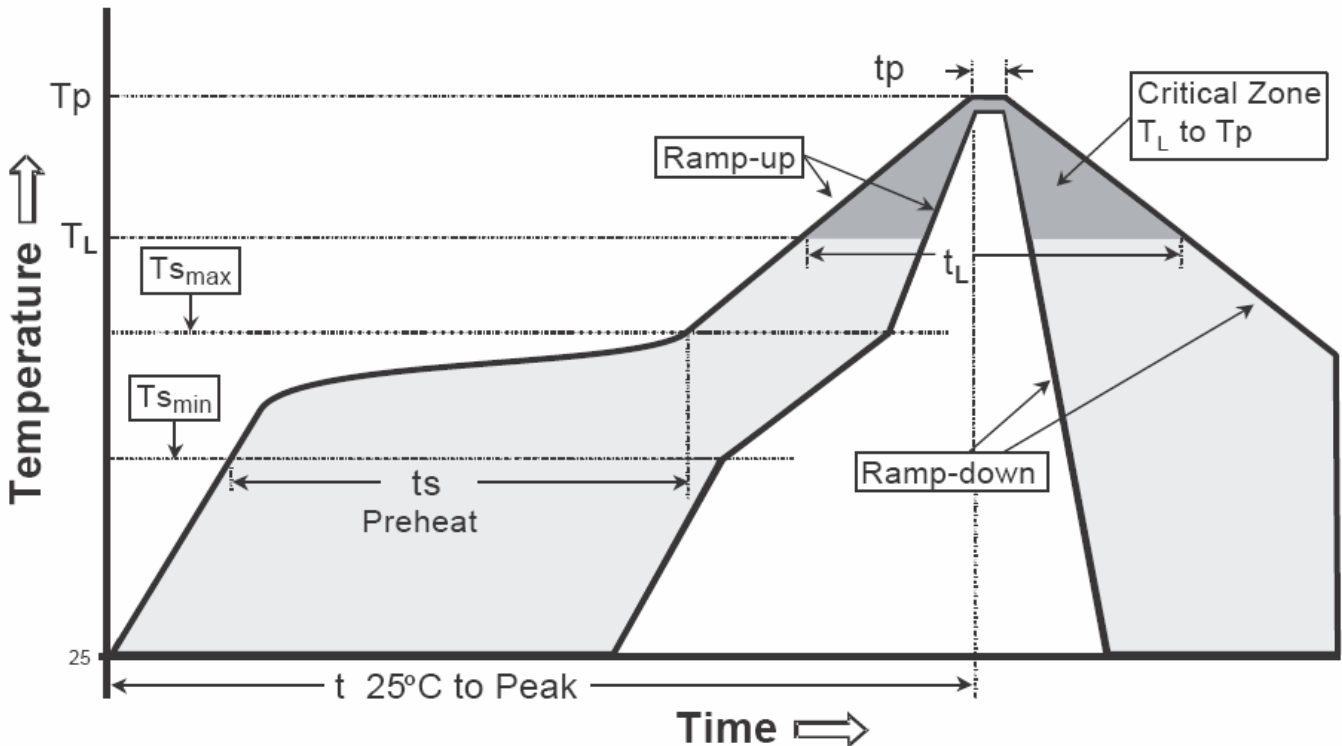
Carrier Tape Dimension



Recommended wave soldering condition

Product	Peak Temperature	Soldering Time
Pb-free devices	260 +0/-5 °C	5 +1/-1 seconds

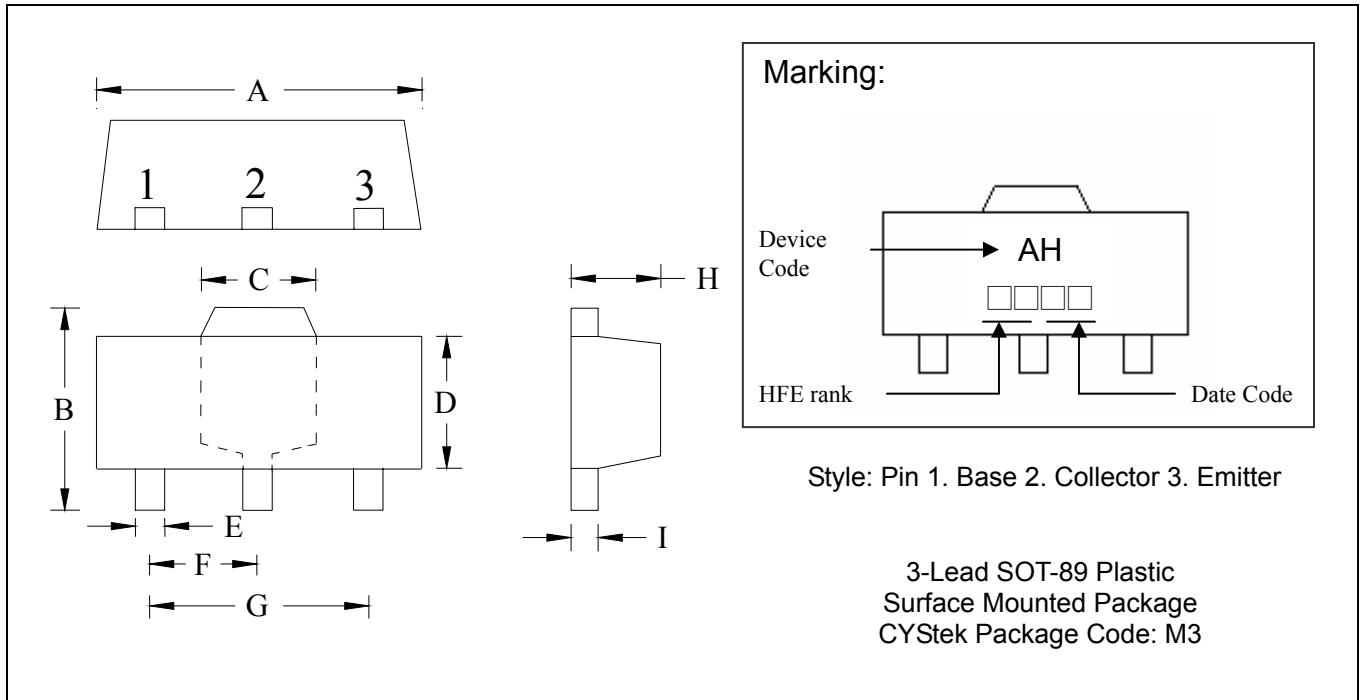
Recommended temperature profile for IR reflow



Profile feature	Sn-Pb eutectic Assembly	Pb-free Assembly
Average ramp-up rate (Tsmax to Tp)	3°C/second max.	3°C/second max.
Preheat		
-Temperature Min(Ts min)	100°C	150°C
-Temperature Max(Ts max)	150°C	200°C
-Time(ts min to ts max)	60-120 seconds	60-180 seconds
Time maintained above:		
-Temperature (Tl)	183°C	217°C
- Time (tl)	60-150 seconds	60-150 seconds
Peak Temperature(Tp)	240 +0/-5 °C	260 +0/-5 °C
Time within 5°C of actual peak temperature(tp)	10-30 seconds	20-40 seconds
Ramp down rate	6°C/second max.	6°C/second max.
Time 25 °C to peak temperature	6 minutes max.	8 minutes max.

Note : All temperatures refer to topside of the package, measured on the package body surface.

SOT-89 Dimension



DIM	Inches		Millimeters		DIM	Inches		Millimeters	
	Min.	Max.	Min.	Max.		Min.	Max.	Min.	Max.
A	0.1732	0.1811	4.40	4.60	F	0.0591	TYP	1.50	TYP
B	0.1551	0.1673	3.94	4.25	G	0.1181	TYP	3.00	TYP
C	0.0610	REF	1.55	REF	H	0.0551	0.0630	1.40	1.60
D	0.0906	0.1024	2.30	2.60	I	0.0138	0.0173	0.35	0.44
E	0.0126	0.0205	0.32	0.52					

Notes: 1.Controlling dimension: millimeters.
 2.Maximum lead thickness includes lead finish thickness, and minimum lead thickness is the minimum thickness of base material.
 3.If there is any question with packing specification or packing method, please contact your local CYStek sales office.

Material:

- Lead: Pure tin plated.
- Mold Compound: Epoxy resin family, flammability solid burning class: UL94V-0

Important Notice:

- All rights are reserved. Reproduction in whole or in part is prohibited without the prior written approval of CYStek.
- CYStek reserves the right to make changes to its products without notice.
- CYStek **semiconductor products are not warranted to be suitable for use in Life-Support Applications, or systems.**
- CYStek assumes no liability for any consequence of customer product design, infringement of patents, or application assistance.