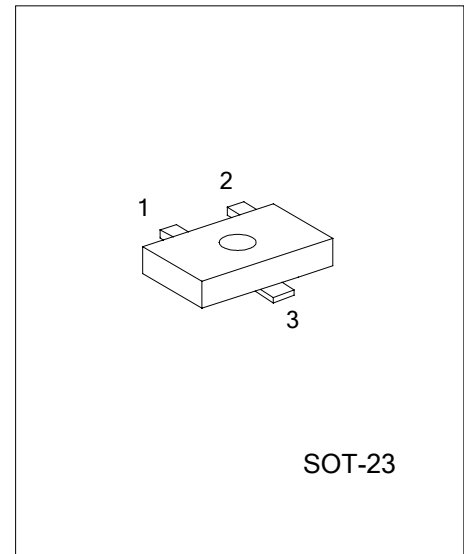
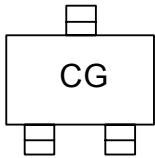


GENERAL PURPOSE TRANSISTOR

MARKING



1: Emitter 2: Base 3: Collector
*Pb-free plating product number: BCX70L

ABSOLUTE MAXIMUM RATINGS

(Ta = 25°C unless otherwise noted)

PARAMETER	SYMBOL	RATINGS	UNIT
Collector-Base Voltage	V_{CB0}	45	V
Collector-Emitter Voltage	V_{CEO}	45	V
Emitter-Base Voltage	V_{EBO}	5	V
Collector Current	I_C	200	mA
Collector Power Dissipation	P_C	350	mW
Storage Temperature	T_{STG}	-40 ~ +150	°C

ELECTRICAL CHARACTERISTICS

(Ta = 25°C unless otherwise noted)

PARAMETER	SYMBOL	TEST CONDITIONS	MIN	TYP	MAX	UNIT
Collector-Emitter Breakdown Voltage	BV_{CEO}	$I_C=2.0mA, I_B=0$	45			V
Emitter-Base Breakdown Voltage	BV_{EBO}	$I_E=1.0\mu F, I_C=0$	5			V
Collector Cut-off Current	I_{CES}	$V_{CE}=32V, V_{BE}=0$			20	nA
Emitter Cut-off Current	I_{EBO}	$V_{EB}=4V, I_C=0$			20	nA
DC Current Gain	h_{FE}	$V_{CE}=5V, I_C=10\mu A$	100			
		$V_{CE}=5V, I_C=2.0mA$	380		630	
		$V_{CE}=1V, I_C=50mA$	100			
Collector-Emitter Saturation Voltage	$V_{CE(sat)}$	$I_C=10mA, I_B=0.25mA$			0.35	V
		$I_C=50mA, I_B=1.25mA$			0.55	V
Base-Emitter Saturation Voltage	$V_{BE(sat)}$	$I_C=10mA, I_B=0.25mA$	0.6		0.85	V
		$I_C=50mA, I_B=1.25mA$	0.7		1.05	V
Base-Emitter On Voltage	$V_{BE(on)}$	$I_C=2.0mA, V_{CE}=5V$	0.55		0.75	V
Current Gain Bandwidth Product	f_T	$I_C=10mA, V_{CE}=5V, f=100MHz$	125			MHz
Output Capacitance	C_{ob}	$V_{CB}=10V, I_E=0, f=1MHz$			4.5	pF
Noise Figure	NF	$V_{CE}=5V, I_C=0.2mA, R_S=2K\Omega, f=1KHz$			6	dB
Turn On Time	t_{ON}	$I_C=10mA, I_{B1}=1.0mA$			150	ns
Turn Off Time	t_{OFF}	$V_{BB}=3.6V, I_{B2}=1.0mA, R_1=R_2=5K\Omega, R_L=990\Omega$			800	ns

UTC assumes no responsibility for equipment failures that result from using products at values that exceed, even momentarily, rated values (such as maximum ratings, operating condition ranges, or other parameters) listed in products specifications of any and all UTC products described or contained herein. UTC products are not designed for use in life support appliances, devices or systems where malfunction of these products can be reasonably expected to result in personal injury. Reproduction in whole or in part is prohibited without the prior written consent of the copyright owner. The information presented in this document does not form part of any quotation or contract, is believed to be accurate and reliable and may be changed without notice.