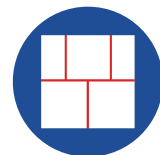


# Preliminary Data Sheet

## BD0900U510-1301

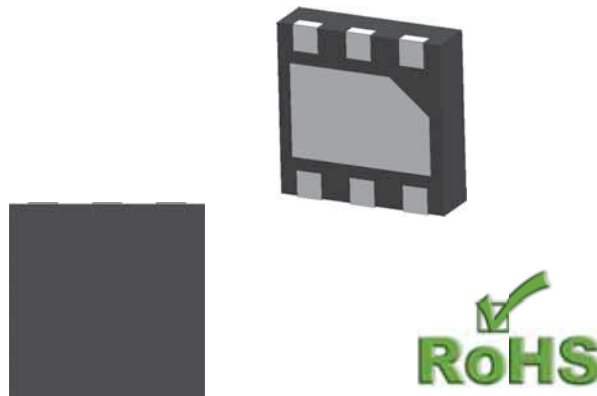
Ultra Low Profile 1301 Balun  
50Ω to 100Ω Balanced



**Yantel**  
Key Patents Lead Microwave Tech

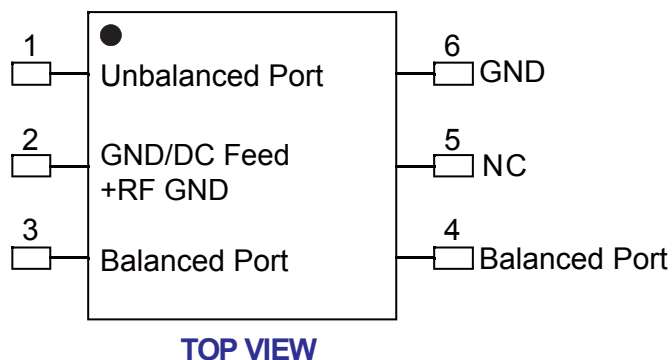
### Features:

- 800~1000 MHz
- 0.85mm Height Profile
- 50Ω to 2x50 Ω
- High CMRR
- Low Insertion Loss
- Input to Output DC Isolation
- Surface Mountable
- Tape & Reel
- Non-conductive Surface
- RoHS Compliant



### Applications

- WiMAX
- GPS
- UWB
- Bluetooth
- Zigbee
- GSM



### Electrical Specifications at 25° C

| Parameter                 | Symbol | Min | Typ | Max  | Unit |
|---------------------------|--------|-----|-----|------|------|
| Frequency Range           | F      | 800 |     | 1000 | MHz  |
| Unbalanced Port Impedance |        |     | 50  |      |      |
| Balanced Port Impedance   |        |     | 100 |      |      |
| Return Loss               | RL     |     | 10  |      | dB   |
| Insertion Loss            | IL     |     | 1   | 1.3  | dB   |
| Amplitude balance         | Abal   |     | 0.1 | 0.2  | dB   |
| Phase balance             | bal    |     | 1   | 2    | deg  |
| CMRR                      |        |     | 37  |      | dB   |

### Yantel Corporation

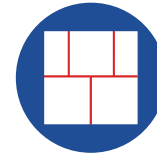
Add : Floor 2, Building 2, Gaofa Technology Park, Longjing, Nanshan, Shenzhen, China  
Tel : 86-755-8355-1886 Fax : 86-755-8355-2533

For detailed performance specs & shopping online see Yantel web site : [www.yantel-corp.com](http://www.yantel-corp.com)

# Preliminary Data Sheet

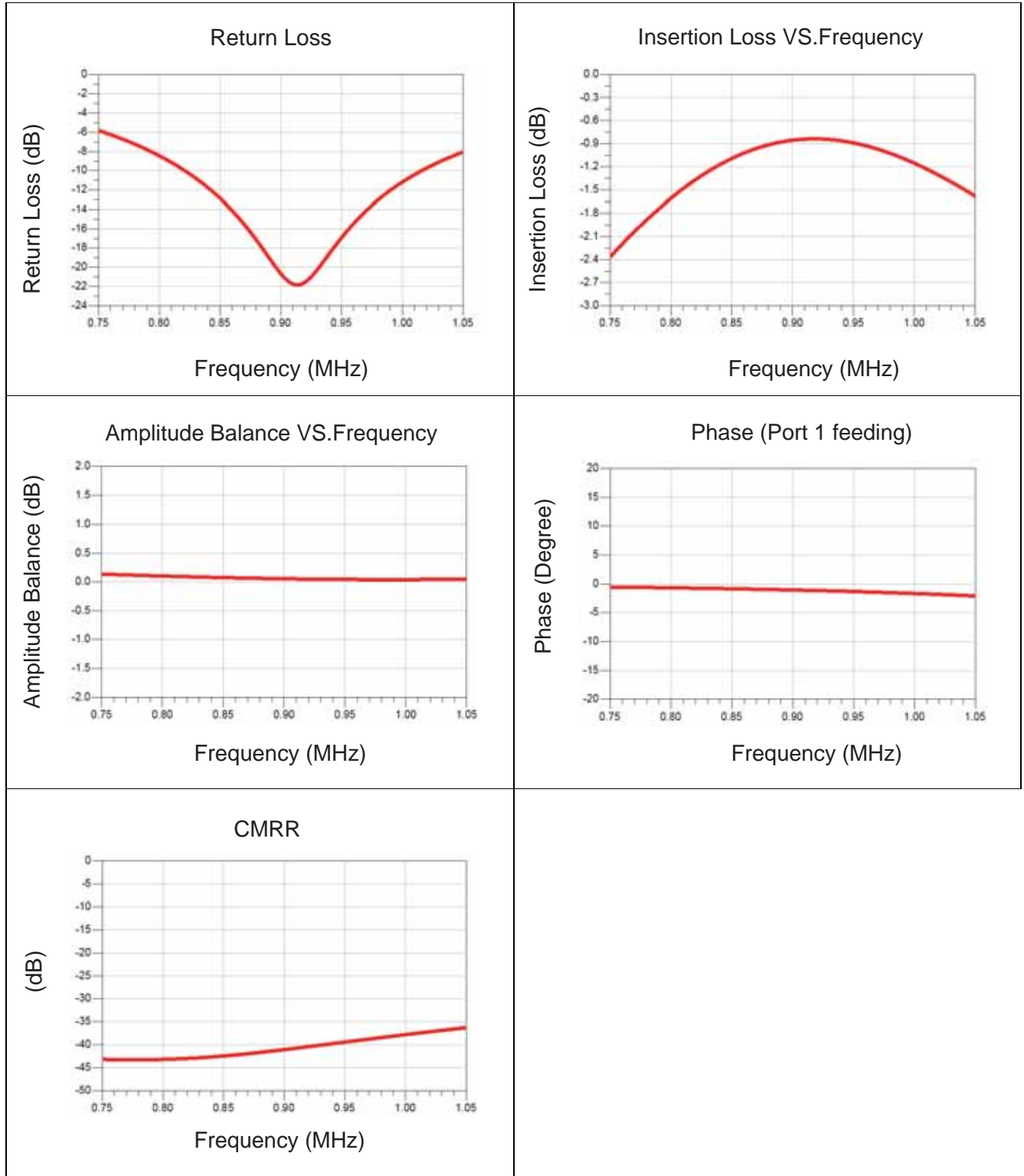
## BD0900U510-1301

Ultra Low Profile 1301 Balun  
50Ω to 100Ω Balanced



**Yantel**  
Key Patents Lead Microwave Tech

### Typical Performance (25°C: 750-1050 MHz)



### Yantel Corporation

Add : Floor 2, Building 2, Gaofa Technology Park, Longjing, Nanshan, Shenzhen, China

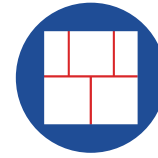
Tel : 86-755-8355-1886 Fax : 86-755-8355-2533

For detailed performance specs & shopping online see Yantel web site : [www.yantel-corp.com](http://www.yantel-corp.com)

# Preliminary Data Sheet

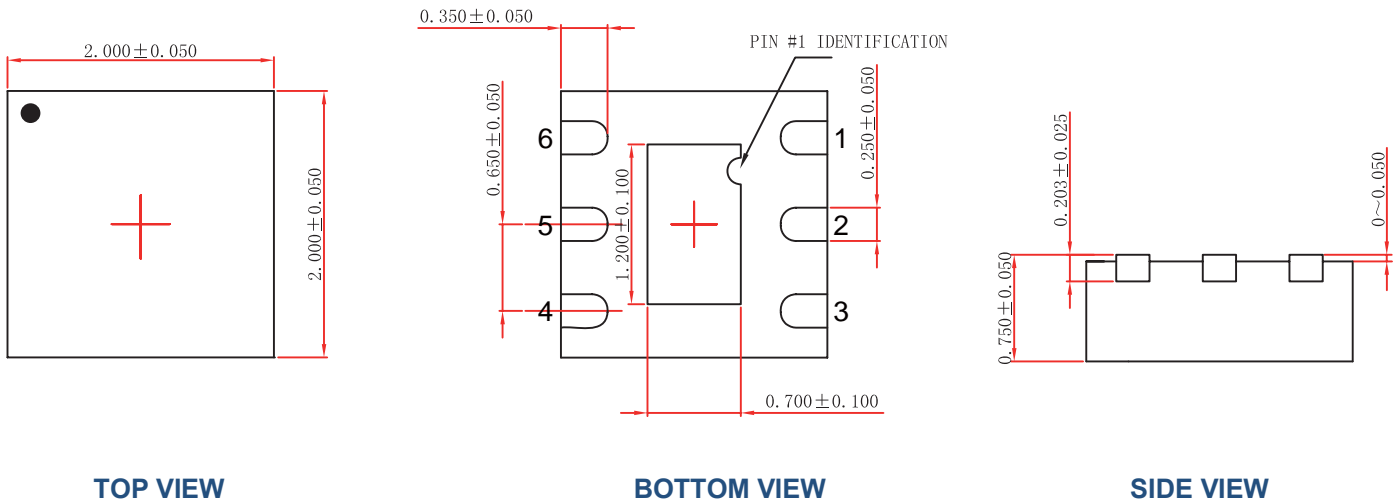
## BD0900U510-1301

Ultra Low Profile 1301 Balun  
50Ω to 100Ω Balanced



**Yantel**  
Key Patents Lead Microwave Tech

### Outline Drawing

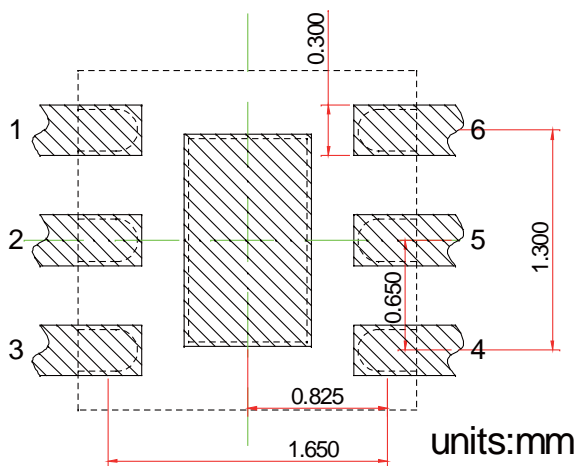


TOP VIEW

BOTTOM VIEW

SIDE VIEW

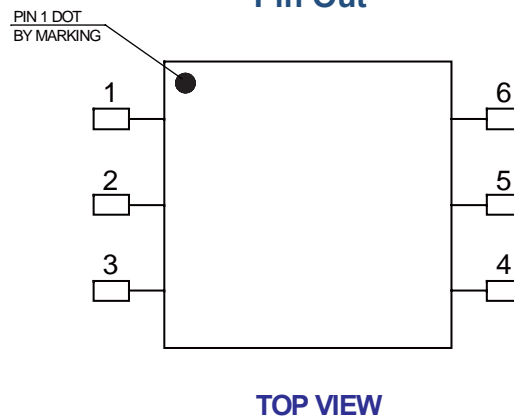
### Land Pattern



### Recommended Land Pattern Top View

Notes: All dimensions show in millimeters

### Pin Out



| Pin # | Connection         |
|-------|--------------------|
| 1     | Unbalanced Port    |
| 2     | GND/DC Feed+RF GND |
| 3     | Balanced Port      |
| 4     | Balanced Port      |
| 5     | NC                 |
| 6     | GND                |

### Yantel Corporation

Add : Floor 2, Building 2, Gaofa Technology Park, Longjing, Nanshan, Shenzhen, China  
Tel : 86-755-8355-1886 Fax : 86-755-8355-2533  
For detailed performance specs & shopping online see Yantel web site : [www.yantel-corp.com](http://www.yantel-corp.com)