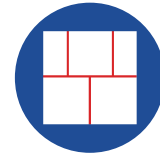


# Preliminary Data Sheet

## BD0900U520-1300

Ultra Low Profile 1300 Balun

50Ω to 200Ω Balanced

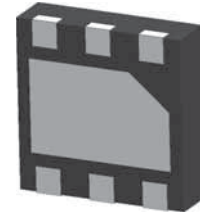


# Yantel

Key Patents Lead Microwave Tech

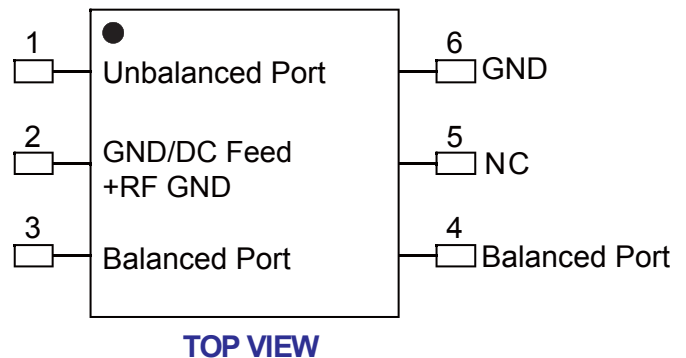
### Features:

- 850~980 MHz
- 0.85mm Height Profile
- 50Ω to 2x100 Ω
- High CMRR
- Low Insertion Loss
- Input to Output DC Isolation
- Surface Mountable
- Tape & Reel
- Non-conductive Surface
- RoHS Compliant



### Applications

- WiMAX
- GPS
- UWB
- Bluetooth
- Zigbee
- GSM



TOP VIEW

### Electrical Specifications at 25° C

Parameter	Symbol	Min	Typ	Max	Unit
Frequency Range	F	850		980	MHz
Unbalanced Port Impedance			50		
Balanced Port Impedance			200		
Return Loss	RL		10		dB
Insertion Loss	IL			1.8	dB
Amplitude balance	Abal		0.25	0.35	dB
Phase balance	bal		1	2	deg
CMRR			37		dB

### Yantel Corporation

Add : Floor 2, Building 2, Gaofa Technology Park, Longjing, Nanshan, Shenzhen, China

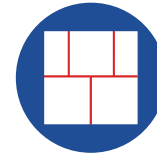
Tel : 86-755-8355-1886 Fax : 86-755-8355-2533

For detailed performance specs & shopping online see Yantel web site : [www.yantel-corp.com](http://www.yantel-corp.com)

# Preliminary Data Sheet

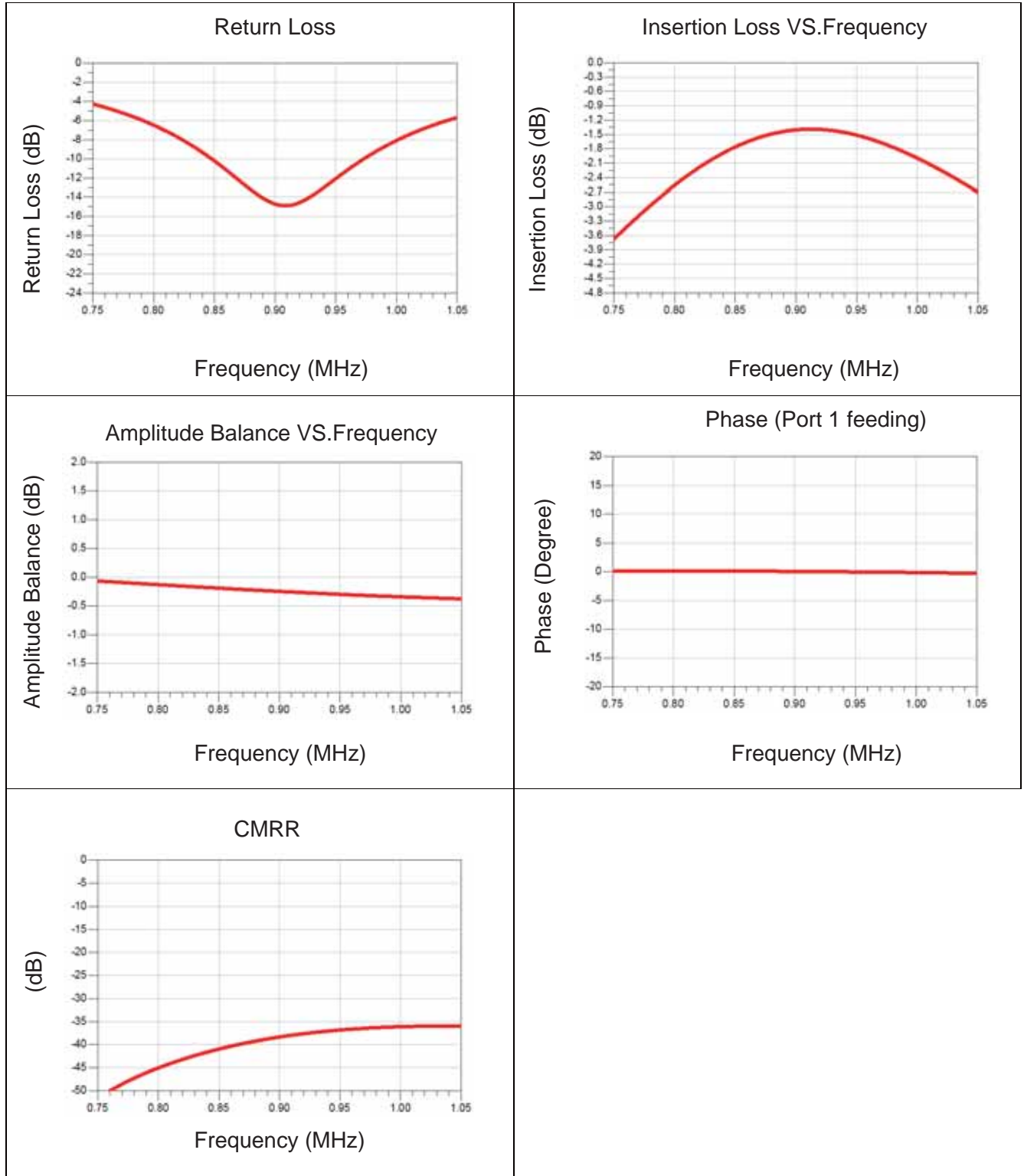
## BD0900U520-1300

Ultra Low Profile 1300 Balun  
50Ω to 200Ω Balanced



**Yantel**  
Key Patents Lead Microwave Tech

### Typical Performance (25°C: 750-1050 MHz)



### Yantel Corporation

Add : Floor 2, Building 2, Gaofa Technology Park, Longjing, Nanshan, Shenzhen, China

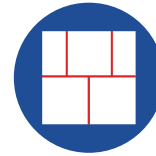
Tel : 86-755-8355-1886 Fax : 86-755-8355-2533

For detailed performance specs & shopping online see Yantel web site : [www.yantel-corp.com](http://www.yantel-corp.com)

# Preliminary Data Sheet

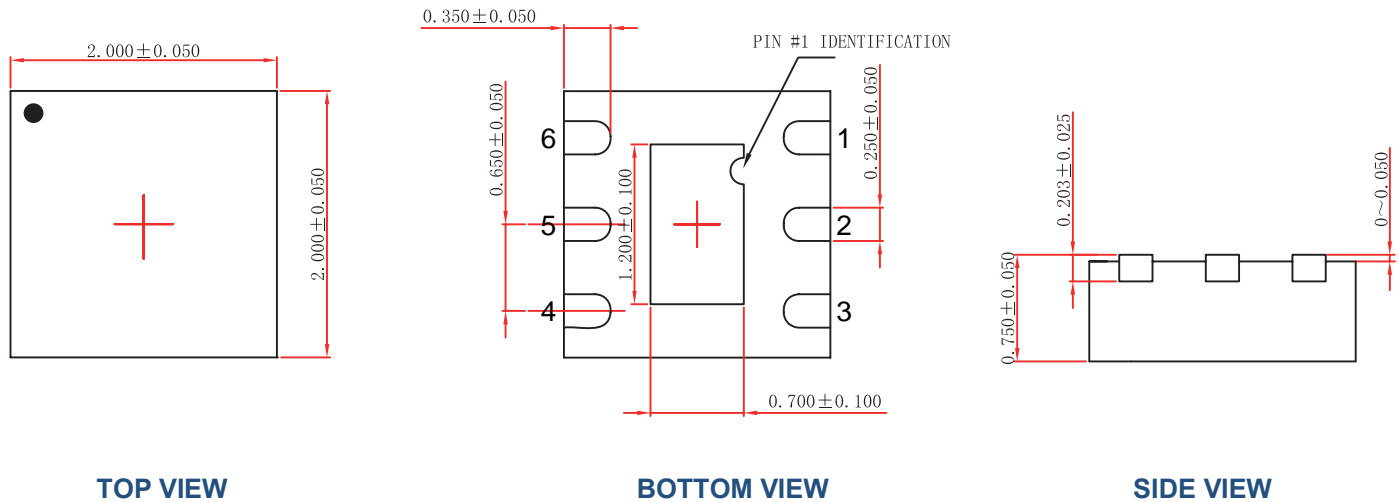
## BD0900U520-1300

Ultra Low Profile 1300 Balun  
50Ω to 200Ω Balanced

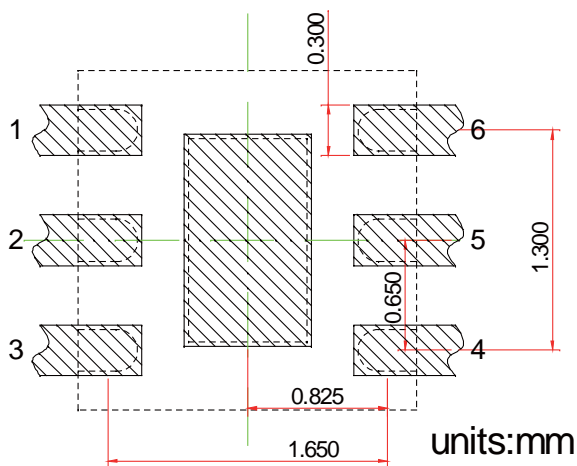


**Yantel**  
Key Patents Lead Microwave Tech

### Outline Drawing



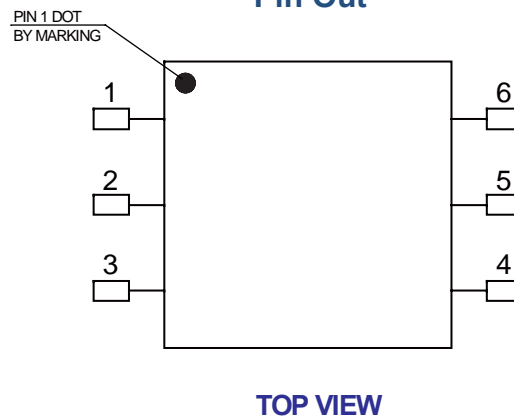
### Land Pattern



### Recommended Land Pattern Top View

Notes: All dimensions show in millimeters

### Pin Out



Pin #	Connection
1	Unbalanced Port
2	GND/DC Feed+RF GND
3	Balanced Port
4	Balanced Port
5	NC
6	GND

### Yantel Corporation

Add : Floor 2, Building 2, Gaofa Technology Park, Longjing, Nanshan, Shenzhen, China  
Tel : 86-755-8355-1886 Fax : 86-755-8355-2533  
For detailed performance specs & shopping online see Yantel web site : [www.yantel-corp.com](http://www.yantel-corp.com)