



# 100 Base-T DUAL Port Transformer Module

Dongguan TNK Industry Co., Ltd.  
P/N: BD20A02

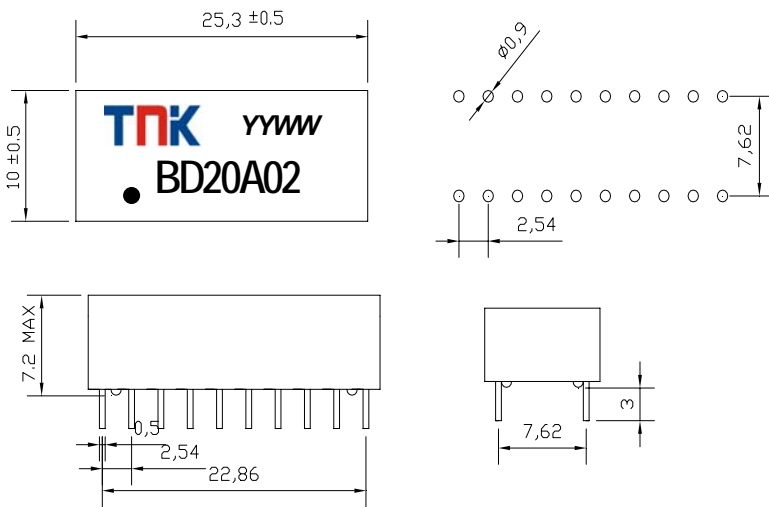
- Designed to meet IEEE802.3u requirement
- Primary inductance 350uH min with 8mA DC Bias
- RoHS Compliant.
- Operating temperature range:0°C to+70°C
- Storage temperature range:-25°C to+125°C

## Electrical Specifications @ 25°C

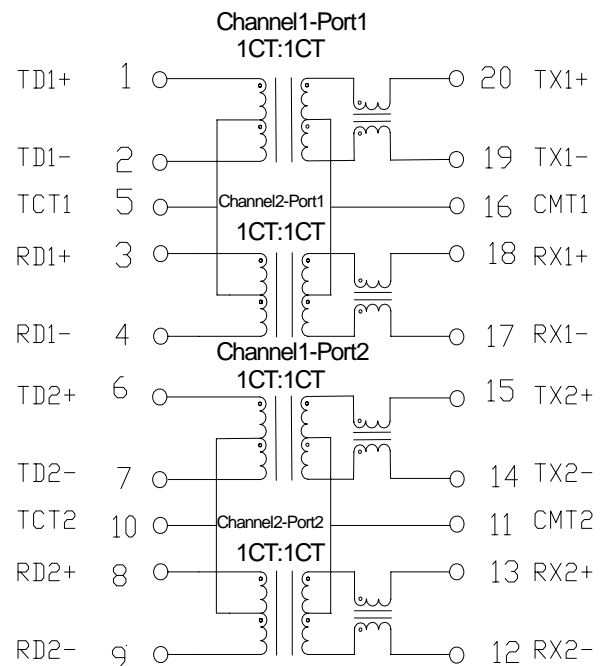
Part Number	Turn Ratio		Insertion Loss 0.5~100MHz (dB Max)	Return Loss (dB Min)			Cross Talk (dB Min)		CMRR (dB Min)	CWW (pF Max)	LK (uH Max)	DCR (Ω Max)	Hi-Pot (Vrms MIN)
	Tx	Rx		0.5-30 MHz	30.1-60 MHz	60.1-80 MHz	0.5-40 MHz	40.1-100 MHz					
BD20A02	1:1	1:1	-1.0	-16	-14	-12	-35	-30	-30	56	0.5	1.2	1500

## Mechanical

## Schematics



Dimension:Inches/mm  
Unless otherwise specified,tolerances:xx.x0±0.25(mm)  
0.xx±0.05(mm)



Data sheet subject to change without notice

Dongguan TNK Industry Co., Ltd.

Address: No.145, Liyatang Industrial Estate, Lincun, Tangxia Town, Dongguan City, Guangdong Province, China. Zip Code: 523710

TEL:(86)769-87923451, FAX:(86)769-87923450, WEBSITE: <http://www.tnk.net.cn>