



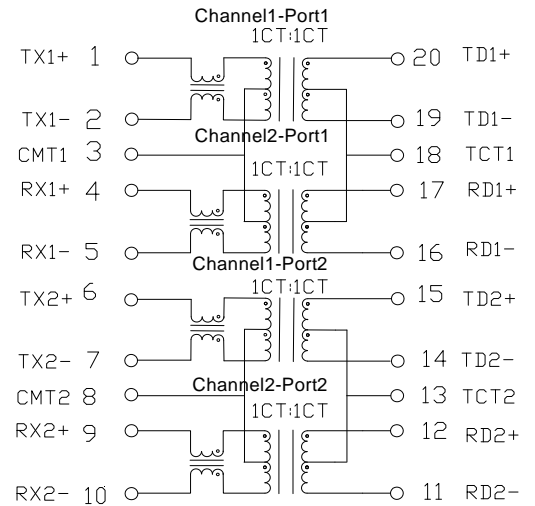
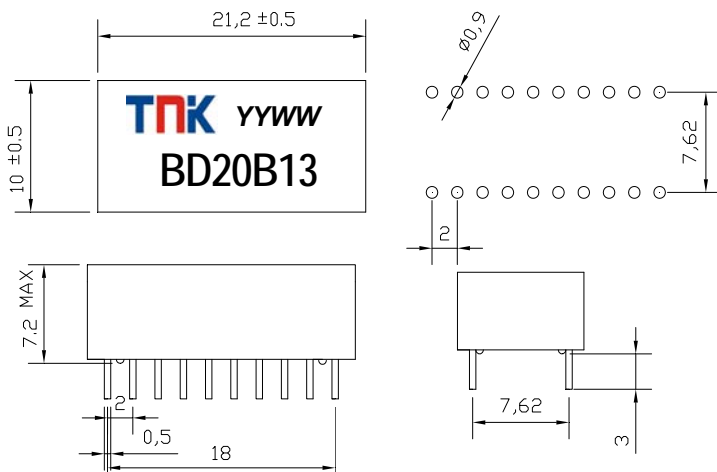
- Designed to meet IEEE802.3ab requirement
- Primary inductance 350uH min with 8mA DC Bias
- RoHS Compliant.
- Operating temperature range:0°C to +70°C
- Storage temperature range:-25°C to +125°C

## Electrical Specifications @ 25°C

| Part Number | Turn Ratio |     | Insertion Loss<br>0.5~100MHz<br>(dB Max) | Return Loss<br>(dB Min) |                |                | Cross Talk<br>(dB Min) |                 | CMRR<br>(dB Min)<br>0.50-100<br>MHz | CWW<br>(pF Max) | LK<br>(uH Max) | DCR<br>(Ω Max) | Hi-Pot<br>(Vrms) |
|-------------|------------|-----|--|-------------------------|----------------|----------------|------------------------|-----------------|-------------------------------------|-----------------|----------------|----------------|------------------|
|             | Tx         | Rx  |  | 0.5-30<br>MHz           | 30.1-60<br>MHz | 60.1-80<br>MHz | 0.5-40<br>MHz          | 40.1-100<br>MHz |                                     |                 |                |                |                  |
| BD20B13     | 1:1        | 1:1 | -1.0                                     | -16                     | -14            | -12            | -35                    | -30             | -30                                 | 56              | 0.5            | 1.2            | 1500             |

## Mechanical

## Schematic



### NOTE:

- 1、Dimensions:mm;
- 2、 Unless otherwise specified,tolerances:±0.25(mm);