

Preliminary Data Sheet

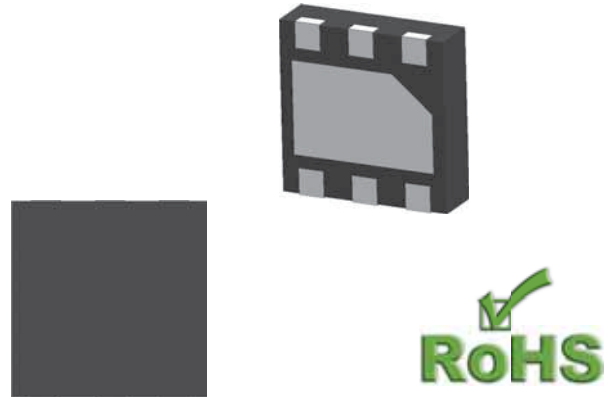
BD2100U510-1351

Ultra Low Profile 1351 Balun
50Ω to 100Ω Balanced



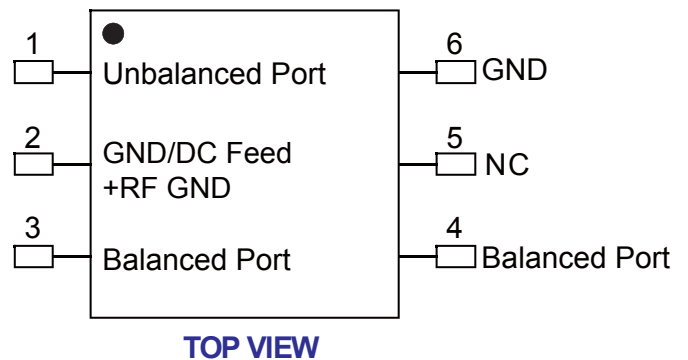
Features:

- 1900~2300 MHz
- 0.85mm Height Profile
- 50Ohm to 2x50 Ohm
- High CMRR
- Low Insertion Loss
- Input to Output DC Isolation
- Surface Mountable
- Tape & Reel
- Non-conductive Surface
- RoHS Compliant



Applications

- WiMAX
- GPS
- UWB
- Bluetooth
- Zigbee
- GSM



Electrical Specifications at 25° C

Parameter	Symbol	Min	Typ	Max	Unit
Frequency Range	F	1900		2300	MHz
Unbalanced Port Impedance			50		
Balanced Port Impedance			100		
Return Loss	RL		10		dB
Insertion Loss	IL		0.9	1.1	dB
Amplitude balance	Abal		0.5	0.6	dB
Phase balance	bal		3	5	deg
CMRR			30		dB

Yantel Corporation

Add : Floor 2, Building 2, Gaofa Technology Park, Longjing, Nanshan, Shenzhen, China
Tel : 86-755-8355-1886 Fax : 86-755-8355-2533
For detailed performance specs & shopping online see Yantel web site : www.yantel-corp.com

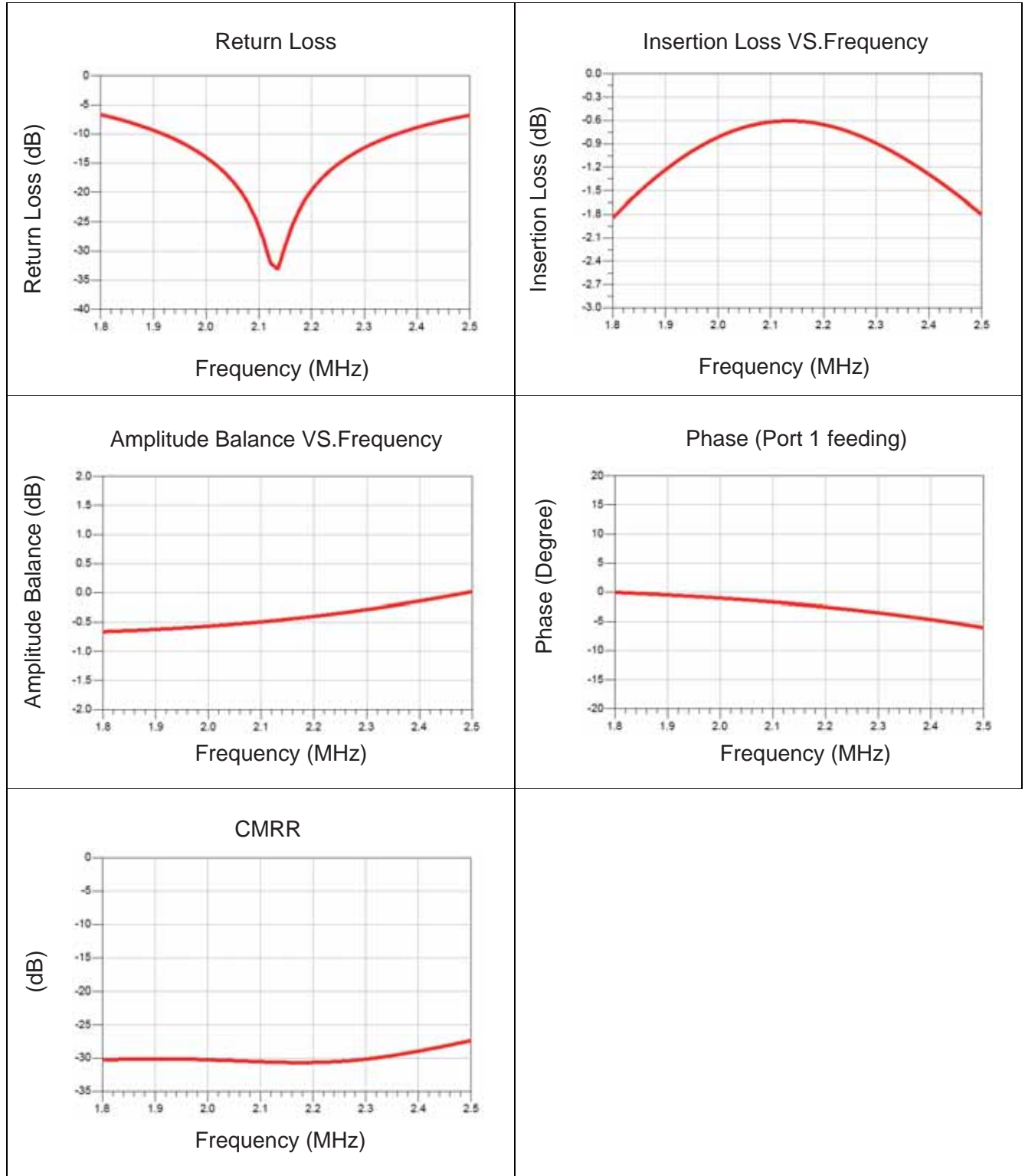
Preliminary Data Sheet

BD2100U510-1351

Ultra Low Profile 1351 Balun
50Ω to 100Ω Balanced



Typical Performance (25°C: 1800-2500 MHz)



Yantel Corporation

Add : Floor 2, Building 2, Gaofa Technology Park, Longjing, Nanshan, Shenzhen, China
 Tel : 86-755-8355-1886 Fax : 86-755-8355-2533
 For detailed performance specs & shopping online see Yantel web site : www.yantel-corp.com

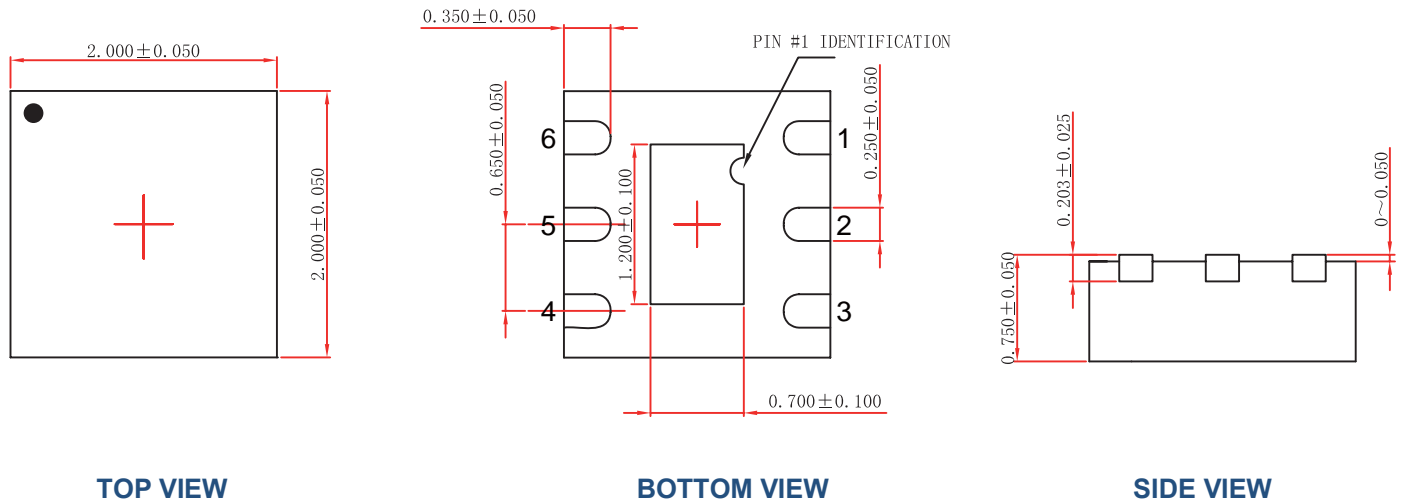
Preliminary Data Sheet

BD2100U510-1351

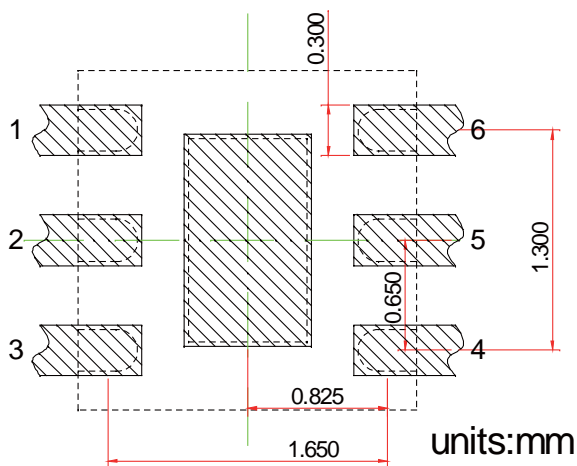
Ultra Low Profile 1351 Balun
50Ω to 100Ω Balanced



Outline Drawing



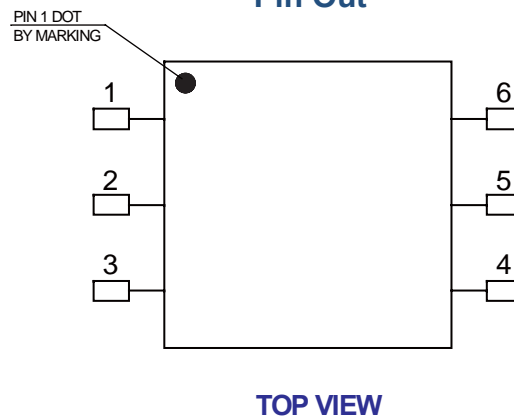
Land Pattern



Recommended Land Pattern Top View

Notes: All dimensions show in millimeters

Pin Out



Pin #	Connection
1	Unbalanced Port
2	GND/DC Feed+RF GND
3	Balanced Port
4	Balanced Port
5	NC
6	GND

Yantel Corporation

Add : Floor 2, Building 2, Gaofa Technology Park, Longjing, Nanshan, Shenzhen, China
Tel : 86-755-8355-1886 Fax : 86-755-8355-2533
For detailed performance specs & shopping online see Yantel web site : www.yantel-corp.com