

Silicon PNP Power Transistors

BD240/A/B/C

DESCRIPTION

www.datasheet4u.com

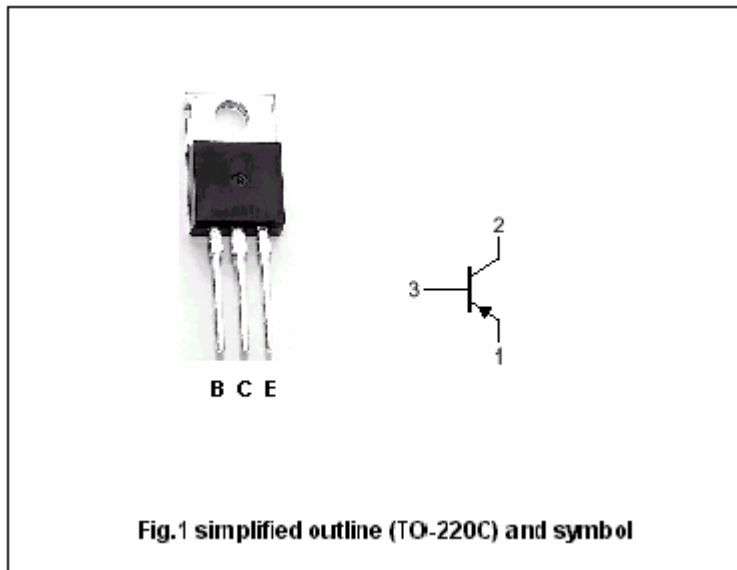
- With TO-220C package
- Complement to type BD239/A/B/C

APPLICATIONS

- For medium power linear and switching applications

PINNING

PIN	DESCRIPTION
1	Emitter
2	Collector;connected to mounting base
3	Base



Absolute maximum ratings (Ta=25°C)

SYMBOL	PARAMETER	CONDITIONS	VALUE	UNIT
V <sub>CBO</sub>	Collector-base voltage	BD240	-55	V
		BD240A	-70	
		BD240B	-90	
		BD240C	-115	
V <sub>CEO</sub>	Collector-emitter voltage	BD240	-45	V
		BD240A	-60	
		BD240B	-80	
		BD240C	-100	
V <sub>EBO</sub>	Emitter-base voltage	Open collector	-5	V
I <sub>C</sub>	Collector current		-2	A
I <sub>CM</sub>	Collector current-peak		-4	A
I <sub>B</sub>	Base current		-0.6	A
P <sub>C</sub>	Collector power dissipation	T <sub>C</sub> =25°C	30	W
T <sub>j</sub>	Junction temperature		150	°C
T <sub>stg</sub>	Storage temperature		-65~150	°C

## Silicon PNP Power Transistors

## BD240/A/B/C

## CHARACTERISTICS

www.datasheet4u.com

 $T_j=25^\circ\text{C}$  unless otherwise specified

SYMBOL	PARAMETER	CONDITIONS	MIN	TYP.	MAX	UNIT	
$V_{CEO(SUS)}$	Collector-emitter sustaining voltage	BD240	$I_C=-30\text{mA}; I_B=0$	-45		V	
		BD240A		-60			
		BD240B		-80			
		BD240C		-100			
$V_{CEsat}$	Collector-emitter saturation voltage	$I_C=-1\text{A}; I_B=-0.2\text{A}$			-0.7	V	
$V_{BE}$	Base-emitter on voltage	$I_C=-1\text{A}; V_{CE}=-4\text{V}$			-1.3	V	
$I_{CEO}$	Collector cut-off current	BD240/A	$V_{CE}=-30\text{V}; I_B=0$			-0.3	mA
		BD240B/C	$V_{CE}=-60\text{V}; I_B=0$				
$I_{CES}$	Collector cut-off current	BD240	$V_{CE}=-45\text{V}; V_{BE}=0$			-0.2	mA
		BD240A	$V_{CE}=-60\text{V}; V_{BE}=0$				
		BD240B	$V_{CE}=-80\text{V}; V_{BE}=0$				
		BD240C	$V_{CE}=-100\text{V}; V_{BE}=0$				
$I_{EBO}$	Emitter cut-off current	$V_{EB}=-5\text{V}; I_C=0$			-1	mA	
$h_{FE-1}$	DC current gain	$I_C=-0.2\text{A}; V_{CE}=-4\text{V}$	40				
$h_{FE-2}$	DC current gain	$I_C=-1\text{A}; V_{CE}=-4\text{V}$	15				

Silicon PNP Power Transistors

BD240/A/B/C

PACKAGE OUTLINE

www.datasheet4u.com

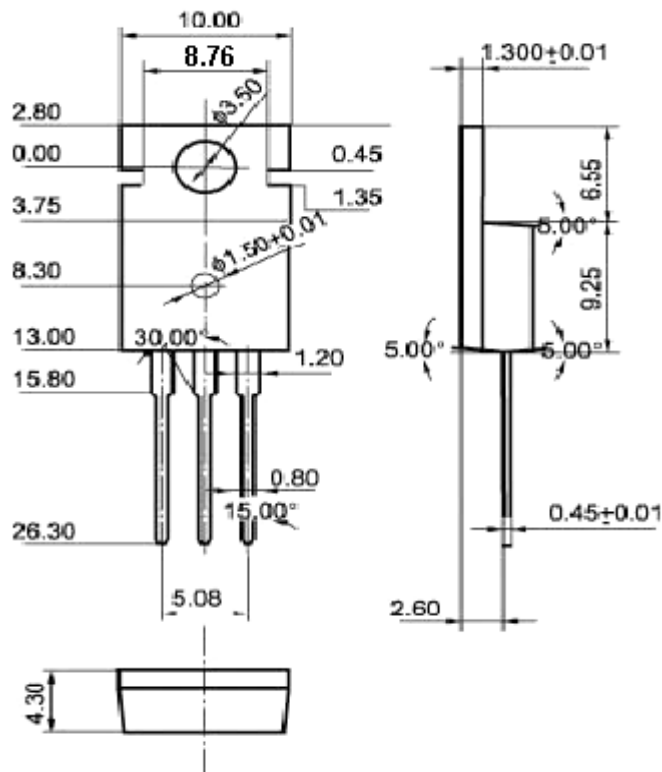


Fig.2 Outline dimensions (unindicated tolerance:±0.10 mm)