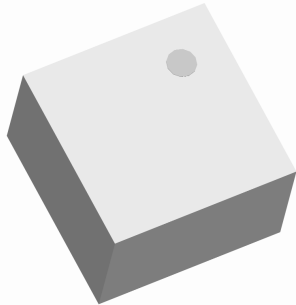




### Ultra Low Profile 0404 Balun for TI transceiver CC2500 50Ω to 127+j34Ω Balanced (Anaren Application Note Ann-2003)



#### Description

The BD2425N50ATI is a low cost, low profile sub-miniature unbalanced to balanced transformer designed for differential inputs and output locations on modern chipsets in an easy to use surface mount package. The BD2425N50ATI is ideal for high volume manufacturing and delivers higher performance than traditional ceramic baluns. The BD2425N50ATI has an unbalanced port impedance of 50Ω and 127+j34Ω balanced port impedance. This transformation enables single ended signals to be applied to differential ports on modern integrated chipsets. The output ports have equal amplitude (-3dB) with 180 degree phase differential. The BD2425N50ATI is available on tape and reel for pick and place high volume manufacturing.

#### Detailed Electrical Specifications: Specifications subject to change without notice.

Features: 2400 – 2500 MHz 0.65mm Height Profile 50 Ohm to 2 x 63.5+j17 Ohm Low Insertion Loss Surface Mountable Tape & Reel Non-conductive Surface RoHS Compliant Zigbee	Parameter	ROOM (25°C)			Unit
		Min.	Typ.	Max	
	Frequency	2300		2600	MHz
	Unbalanced Port Impedance**		50		Ω
	Balanced Port Impedance**		127+j34		Ω
	Return Loss**	13	17		dB
	Insertion Loss* **		0.4	0.6	dB
	Power Handling		1	TBD	Watts
	Operating Temperature	-55		+85	°C

\* Insertion Loss stated at room temperature (Insertion Loss is approximately 0.1 dB higher at +85 °C)

\*\* Stated performance assumes proper matching network found in application note: ANN-2003

#### Outline Drawing

Top View (Near-side)

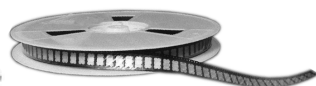
Side View

Bottom View (Far-side)

Pin	Designation
1	GND / DC Feed + RF GND
2	Unbalanced Port
3	Balanced Port
4	Balanced Port

Dimensions are in Inches [Millimeters]  
Mechanical Outline

Tolerances are Non-Cumulative

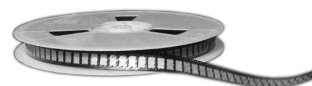
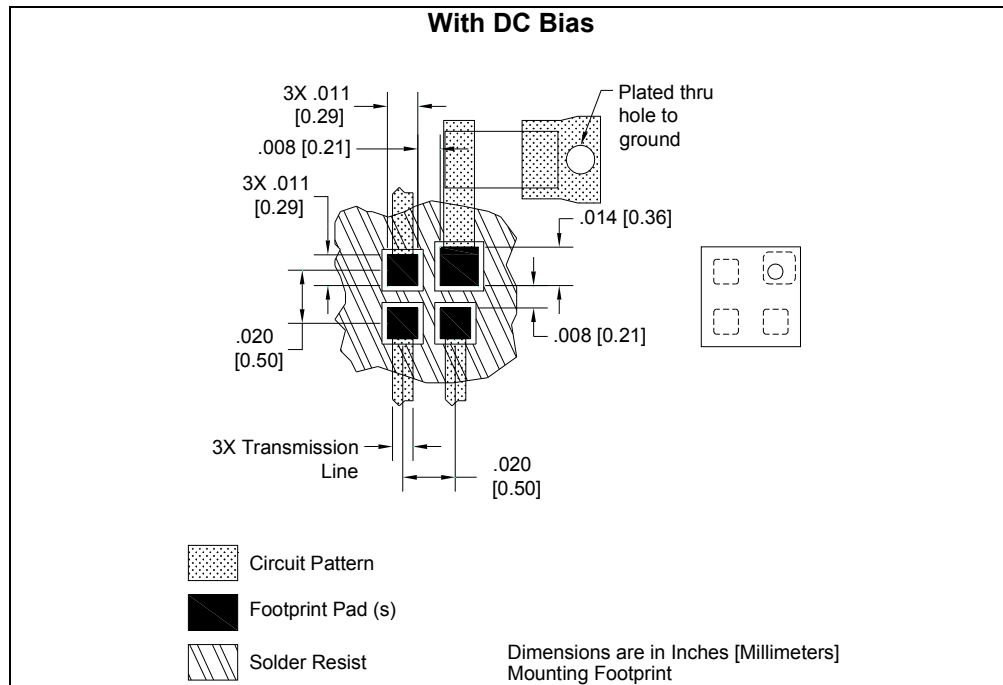


**Mounting Configuration:**

In order for Xinger surface mount components to work optimally, the proper impedance transmission lines must be used to connect to the RF ports. If this condition is not satisfied, insertion loss, Isolation and VSWR may not meet published specifications.

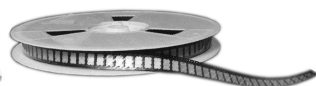
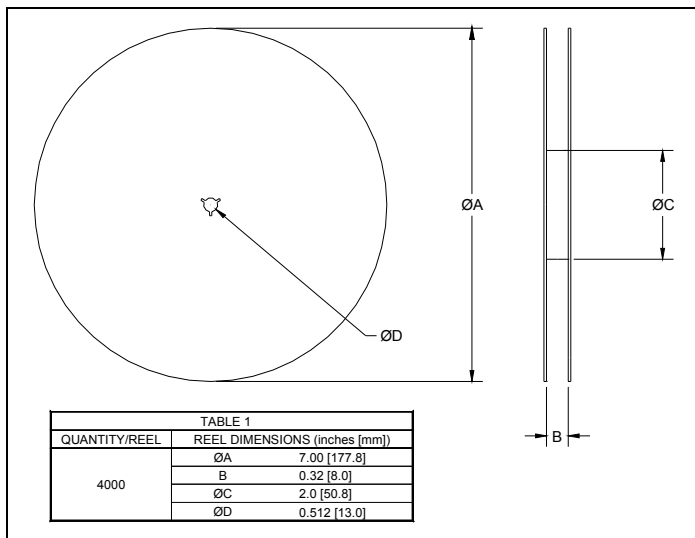
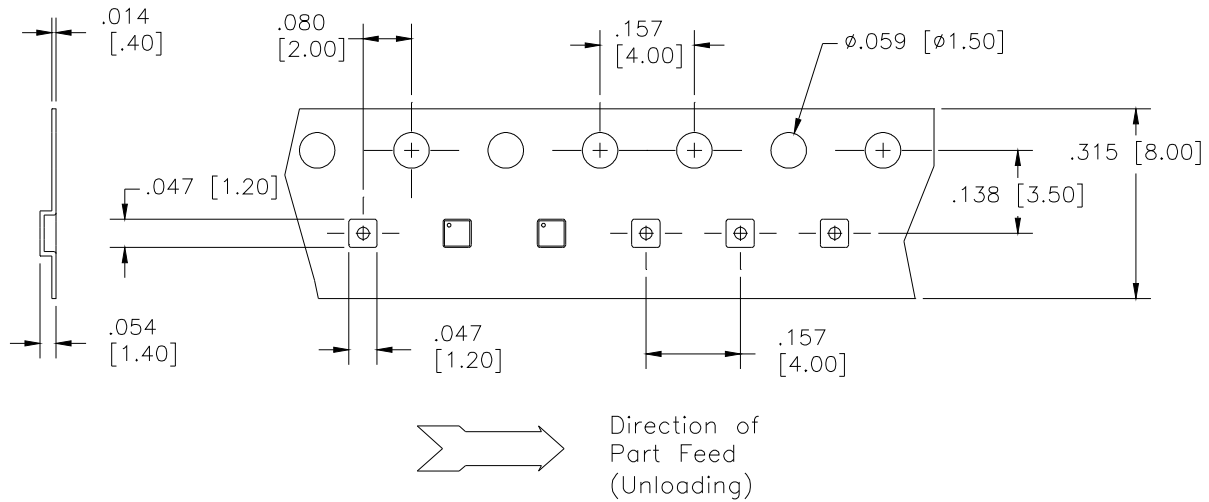
All of the Xinger components are constructed from ceramic filled PTFE composites which possess excellent electrical and mechanical stability having X and Y thermal coefficient of expansion (CTE) of 17 ppm/°C.

An example of the PCB footprint used in the testing of these parts is shown below. An example of a DC-biased footprint is also shown below. In specific designs, the transmission line widths need to be adjusted to the unique dielectric coefficients and thicknesses as well as varying pick and place equipment tolerances



### Packaging and Ordering Information

Parts are available in reel and are packaged per EIA 481-2. Parts are oriented in tape and reel as shown below. Minimum order quantities are 4000 per reel. See Model Numbers below for further ordering information.



# Mouser Electronics

Authorized Distributor

Click to View Pricing, Inventory, Delivery & Lifecycle Information:

[Anaren:](#)

[BD2425N50ATI](#)