

STRUCTURE Silicon Monolithic Integrated Circuits

PRODUCT SERIES 3 in 1 Motor Driver for Digital Video Camera

TYPE **BD6300KU**

FUNCTIONS • 3-phase motor driver for capstan , 3-phase sensor-less motor driver for cylinder,
Reversible motor driver for loading

○ABSOLUTE MAXIMAM RATINGS (Ta=25°C)

Parameter	Symbol	Limit	Unit
Supply voltage	VCC	7	V
	UNREG	15	V
	C_VM	10	V
	D_VM	10	V
	L_VM	7	V
Power dissipation	Pd	1750 *	mW
Operate temperature	Topr	-25~+75	°C
Storage temperature	Tstg	-40~+150	°C
Output max current	IOMAX	800 * *	mA
Junction temperature	Tjmax	150	°C

* 70mm×70mm×1.6mm glass epoxy board.Derating in done at 14mW/°C for operating above Ta=25°C

* * However, do not exceed Pd, ASO and Tj=150°C (Common to 3 drivers)

○OPERATING CONDITIONS

Parameter	Symbol	Limit	Unit
Supply voltage	VCC	2.7~4.5	V
	UNREG	5~12 *	V
	C_VM	0~8 *	V
	D_VM	0~8 *	V
	L_VM	4.5~5.5	V

* UNREG≥C_VM,UNREG≥D_VM, L_VM≥VCC

Status of this document

The Japanese version of this document is the formal specification.

A customer may use this translation version only for a reference to help reading the formal version.

If there are any differences in translation version of this document formal version takes priority.

Application example

• ROHM cannot provide adequate confirmation of patents.

• The product described in this specification is designed to be used with ordinary electronic equipment or devices (such as audio-visual equipment, office-automation equipment, communications devices, electrical appliances, and electronic toys).

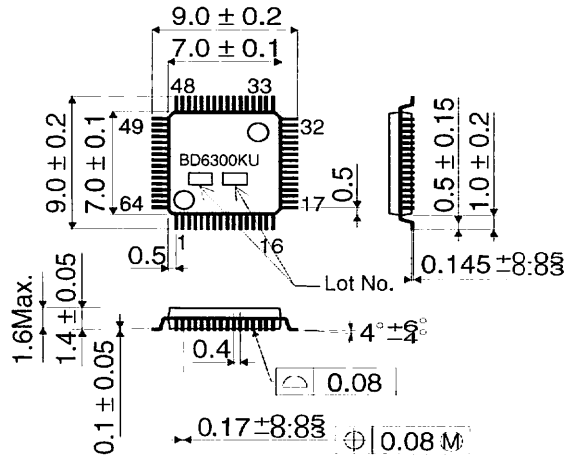
Should you intend to use this product with equipment or devices which require an extremely high level of reliability and the malfunction of which would directly endanger human life (such as medical instruments, transportation equipment, aerospace machinery, nuclear-reactor controllers, fuel controllers and other safety devices), please be sure to consult with our sales representative in advance.

• ROHM assumes no responsibility for use of any circuits described herein, conveys no license under any patent or other right, and makes no representations that the circuits are free from patent infringement.

○ELECTRICAL CHARACTERISTICS (Unless otherwise specified Ta=25°C, VCC=3V, C_VM=D_VM=L_VM=5V, UNREG=7.2V)

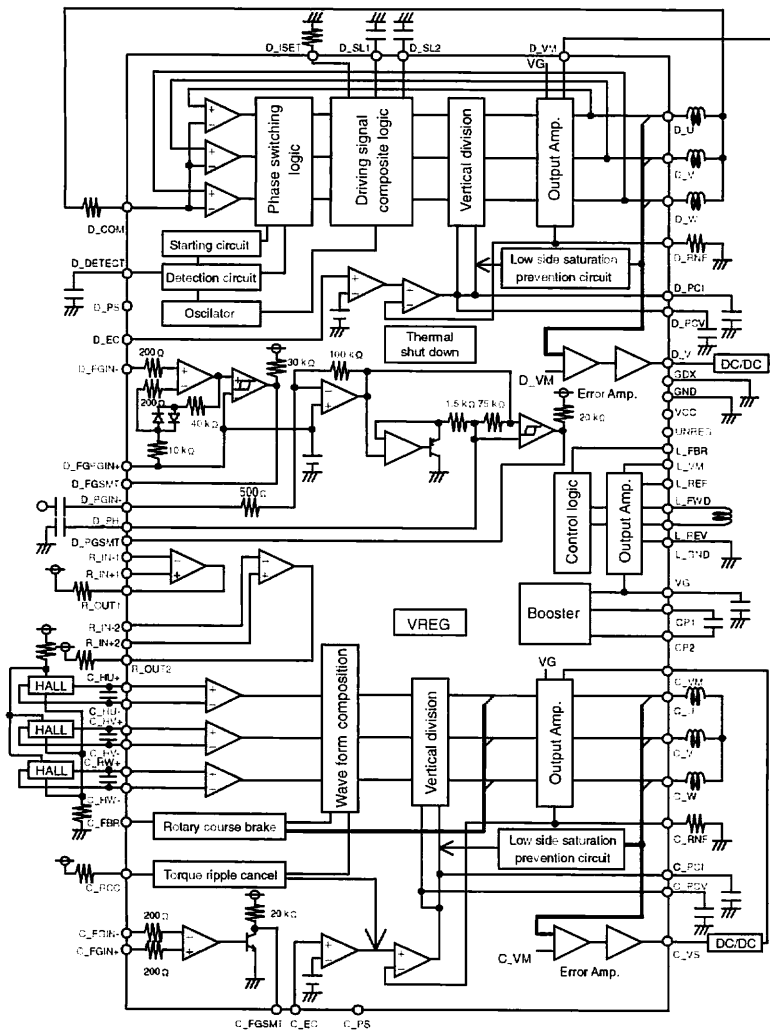
Parameter	Symbol	Limit			Unit	Conditions	
		Min.	Typ.	Max.			
TOTAL	VCC Circuit current 1	ICC1	5	11	17	mA	Power save OFF
	VCC Circuit current 2	ICC2	1	4	7	mA	Power save ON
	VG voltage	VG	9.5	11	12.5	V	
CAPSTAN OUTPUT	Output H voltage1	C_VOH1	–	0.1	0.16	V	IOUT=–200mA
	Output H voltage2	C_VOH2	–	0.2	0.32	V	IOUT=–400mA
	Output L voltage	C_VOL	–	0.2	0.32	V	IOUT=200mA, C_RNF=0.33Ω
CAPSTAN HALL AMP	In-phase input voltage range	C_VCM	1.2	–	VCC-1.1	V	
	Hall input offset voltage	C_VHOFS	-15	–	+15	mV	
CAPSTAN TORQUE CONTROL	EC input bias current	C_IEC	–	3.0	7.5	μA	C_EC=VCC
	Torque control input/output gain	C_GIO	0.42	0.60	0.78	A/V	C_RNF=0.33Ω, C_RCC=3.3kΩ
	Torque control start voltage	C_VECOFS	1.05	1.2	1.35	V	
	Current limit voltage	C_CLIMIT	0.25	0.330	0.410	V	C_RNF=0.33Ω
	Ripple Cancel Ratio	C_VRCC	22	45	68	%	IOUT=100mA, C_RCC=3.3kΩ, C_RNF=0.33Ω
CAPSTAN VS	Voltage gain	C_GVS	7	8	9	TIMES	
	Output H voltage	C_VVSOH	–	0.5	0.8	V	IOVS=–1mA, between VCC and output
	Output L voltage	C_VVSOL	–	0.13	0.2	V	IOVS=50μA
CAPSTAN FGSM T	In-phase input voltage range	C_VFGCM	0.35	–	VCC-1.1	V	
	Input bias current	C_IFG	–	–	1	μA	
	Output H voltage	C_VFGSOH	2.8	–	–	V	
	Output L voltage	C_VFGSOL	–	0.1	0.3	V	IOL=1mA
DRUM OUTPUT	Output H voltage	D_VOH	–	0.3	0.48	V	IOUT=–400mA
	Output L voltage	D_VOL	–	0.28	0.4	V	IOUT=100mA
	D_PS input switching level	D_PS	0.7	1.4	2	V	
	EC input bias current	D_IEC	–	2.0	5.0	μA	D_EC=VCC
DRUM TORQUE CONTROL	Torque control input/output gain	D_GIO	0.45	0.66	0.87	A/V	D_RNF=0.33Ω
	Torque control start voltage	D_VECOFS	1.05	1.2	1.35	V	
	Current limit voltage	D_CLIMIT	0.217	0.274	0.332	V	D_RNF=0.33Ω
	DETECT terminal charge current	D_IDETO	2	5	10	μA	
DRUM STARTING/ DETECTION	DETECT terminal discharge current	D_IDETI	2	5	10	μA	
	DETECT terminal H voltage	D_VDETH	1.1	1.3	1.5	V	
	DETECT terminal L voltage	D_VDETL	0.5	0.65	0.8	V	
	ISET voltage	D_VISET	0.32	0.4	0.48	V	RISET=18kΩ
DRUM SLOPE	SL1,2 charge current	D_ISLO	16	22	28	μA	RISET=18kΩ
	SL1,2 discharge current	D_ISLI	17	24	31	μA	RISET=18kΩ
	SL1,2 H voltage	D_VSLH	2.5	2.8	–	V	
	SL1,2 L voltage	D_VSLL	0.85	1	1.15	V	
	SL1,2 charge and discharge current ratio	D_RSL	0.82	0.89	0.96	V	
	DRUM VS	Voltage gain	D_GVS	7	8	9	TIMES
Output H voltage		D_VVSOH	–	0.5	0.8	V	IOVS=–1mA, between VCC and output
Output L voltage		D_VVSOL	–	0.13	0.2	V	IOVS=50μA
DRUM FGAMP/SMT	DC bias voltage	D_VFG+	1/2 VCC-0.2	1/2 VCC	1/2 VCC+0.2	V	
	In-phase input voltage range	D_VFGCM	0.35	–	VCC-1.1	V	
	Input bias current	D_IFG	–	–	1	μA	
	Output H voltage	D_VFGSOH	2.8	–	–	V	
	Output L voltage	D_VFGSOL	–	0.1	0.3	V	IOL=1mA
DRUM PGAMP	DC bias voltage	D_VPG+	1/2 VCC-0.2	1/2 VCC	1/2 VCC+0.2	V	
	In-phase input voltage range	D_VPGCM	0.35	–	VCC-1.1	V	
	Output H voltage	D_VPGSOH	2.8	–	–	V	
	Output L voltage	D_VPGSOL	–	0.14	0.3	V	IOL=1mA
LOADING	Output saturation voltage	L_VSAT	–	0.3	0.5	V	IOUT=200mA, L_REF=L_VM, Total saturation voltage of low and high side output transistor
	L_REF pin input current	L_IREF	–	0.3	2	μA	L_REF=L_VM
	V_out-L_REF offset	L_VOFS	–	100	200	mV	
REAL AMP	Input bias current	R_IIN	–	–	1	μA	
	Input offset voltage	R_VOFS	-8	–	8	mV	
	In-phase input voltage	R_VINCM	0.35	–	VCC-1.1	V	
	Output L voltage	R_VSOL	–	0.1	0.3	V	IOL=1mA

○ Package outline (Plastic Mold)



UQFP64 (Unit:mm)

○ Block Diagram



○ Terminal function table

PIN NO.	PIN Name	PIN NO.	PIN Name
1	D_PH	33	R_IN+2
2	D_FGIN-	34	R_IN-2
3	D_FGPGIN	35	R_OUT2
4	D_PGIN-	36	VG
5	D_FGSMT	37	CP2
6	VCC	38	CP1
7	D_DETECT	39	GND
8	D_ISET	40	GDX
9	D_SL1	41	D_PS
10	D_SL2	42	C_PS
11	UNREG	43	C_FBR
12	D_VM	44	C_VM
13	D_VS	45	C_VS
14	D_EC	46	C_EC
15	D_PCI	47	C_PCI
16	D_PCV	48	C_PCV
17	D_COM	49	FGND1
18	D_U	50	C_U
19	D_V	51	C_V
20	D_RNF	52	C_RNF
21	D_W	53	C_W
22	N.C.	54	C_RCC
23	FGND2	55	C_HV-
24	L_FBR	56	C_HV+
25	L_REF	57	C_HU-
26	L_FWD	58	C_HU+
27	L_GND	59	C_HW+
28	L_REV	60	C_HW-
29	L_VM	61	C_FGIN+
30	R_IN+1	62	C_FGIN-
31	R_IN-1	63	C_FGSMT
32	R_OUT1	64	D_PGSMT

○ NOTES FOR USE

1) Absolute maximum ratings

When the absolute maximum rating of applied voltage, operation temperature range, etc is exceeded, destruction is possible. In case of destruction, short-circuit mode or open mode cannot be identified; therefore when special mode is envisioned where absolute maximum rating may be exceeded, please take a physical safety measure such as use of fuse.

2) Power supply line

Return of regenerated current is caused by back electromotive force of motor, therefore take a measure such as placing a capacitor between power supply and GND for routing regenerated current, and fully ensure that various characteristics of electric field capacitor have no problem such as pull-out capacity at a low temperature before determining a capacity value.

3) GND potential

Ensure that the potential of GND terminal is the minimum potential in any operating condition. Also ensure that all terminals except GND terminal do not fall below GND voltage including transient phenomenon. However, it is possible that the motor output terminal may deflect below GND because of influence by back electromotive force of motor. Trouble such as malfunction may possibly occur depending on use condition, environment, and property of individual motor. Fully make sure that no problem is found on operation of IC etc.

4) Thermal design

Consider the permissible loss (Pd) under actual use condition and apply thermal design with sufficient margin.

5) Operation in strong electromagnetic field

Use in strong electromagnetic field may cause malfunction. Be careful.

6) ASO

In using this IC, perform setting so that the output Tr does not exceed the absolute maximum rating and ASO.

7) Thermal shut down circuit

BD6300KU is built in the protection of IC and power supply circuit and so on, and Thermal shut down circuit for safety. Operation temperature is to 175°C(Typ) and hysteresis width is 25°C(Typ). The condition of Output terminal is OPEN when chip temperature of IC rise and TSD circuit operate. Please be careful as this is effective against being due to output current like exceeding power dissipation and short of output, but is not effective in case of flowing large current into IC generating heat by internal destruction of IC and short during terminal.

8) GND wiring pattern

When there are small signal GND and large current GND, separate the large current GND pattern from small signal GND pattern. It is recommended to apply one-point grounding at the reference point of the set in order that resistance of wiring pattern and large current do not cause change of voltage of small signal GND. Please be cautious not to fluctuate the wiring pattern of GND of external mounted parts.

9) Capacitor between output and GND

When a large capacitor is connected between output and GND, if Vcc is shorted with 0V or GND for some cause, it is possible that the current charged in the capacitor may flow into the output resulting in destruction. Keep the capacitor between output and GND below 100uF.

Notes

- No technical content pages of this document may be reproduced in any form or transmitted by any means without prior permission of ROHM CO.,LTD.
- The contents described herein are subject to change without notice. The specifications for the product described in this document are for reference only. Upon actual use, therefore, please request that specifications to be separately delivered.
- Application circuit diagrams and circuit constants contained herein are shown as examples of standard use and operation. Please pay careful attention to the peripheral conditions when designing circuits and deciding upon circuit constants in the set.
- Any data, including, but not limited to application circuit diagrams information, described herein are intended only as illustrations of such devices and not as the specifications for such devices. ROHM CO.,LTD. disclaims any warranty that any use of such devices shall be free from infringement of any third party's intellectual property rights or other proprietary rights, and further, assumes no liability of whatsoever nature in the event of any such infringement, or arising from or connected with or related to the use of such devices.
- Upon the sale of any such devices, other than for buyer's right to use such devices itself, resell or otherwise dispose of the same, no express or implied right or license to practice or commercially exploit any intellectual property rights or other proprietary rights owned or controlled by
- ROHM CO., LTD. is granted to any such buyer.
- Products listed in this document are no antiradiation design.

The products listed in this document are designed to be used with ordinary electronic equipment or devices (such as audio visual equipment, office-automation equipment, communications devices, electrical appliances and electronic toys).

Should you intend to use these products with equipment or devices which require an extremely high level of reliability and the malfunction of which would directly endanger human life (such as medical instruments, transportation equipment, aerospace machinery, nuclear-reactor controllers, fuel controllers and other safety devices), please be sure to consult with our sales representative in advance.

About Export Control Order in Japan

Products described herein are the objects of controlled goods in Annex 1 (Item 16) of Export Trade Control Order in Japan.

In case of export from Japan, please confirm if it applies to "objective" criteria or an "informed" (by MITI clause) on the basis of "catch all controls for Non-Proliferation of Weapons of Mass Destruction.

Thank you for your accessing to ROHM product informations.
More detail product informations and catalogs are available,
please contact your nearest sales office.

Please contact our sales offices for details ;

U.S.A / San Diego	TEL : +1(858)625-3630	FAX : +1(858)625-3670
Atlanta	TEL : +1(770)754-5972	FAX : +1(770)754-0691
Dallas	TEL : +1(972)312-8818	FAX : +1(972)312-0330
Germany / Dusseldorf	TEL : +49(2154)9210	FAX : +49(2154)921400
United Kingdom / London	TEL : +44(1)908-282-666	FAX : +44(1)908-282-528
France / Paris	TEL : +33(0)1 56 97 30 60	FAX : +33(0) 1 56 97 30 80
China / Hong Kong	TEL : +852(2)740-6262	FAX : +852(2)375-8971
Shanghai	TEL : +86(21)6279-2727	FAX : +86(21)6247-2066
Dilian	TEL : +86(411)8230-8549	FAX : +86(411)8230-8537
Beijing	TEL : +86(10)8525-2483	FAX : +86(10)8525-2489
Taiwan / Taipei	TEL : +866(2)2500-6956	FAX : +866(2)2503-2869
Korea / Seoul	TEL : +82(2)8182-700	FAX : +82(2)8182-715
Singapore	TEL : +65-6332-2322	FAX : +65-6332-5662
Malaysia / Kuala Lumpur	TEL : +60(3)7958-8355	FAX : +60(3)7958-8377
Philippines / Manila	TEL : +63(2)807-6872	FAX : +63(2)809-1422
Thailand / Bangkok	TEL : +66(2)254-4890	FAX : +66(2)256-6334

Japan /
(Internal Sales)

Tokyo	2-1-1, Yaesu, Chuo-ku, Tokyo 104-0082	TEL : +81(3)5203-0321	FAX : +81(3)5203-0300
Yokohama	2-4-8, Shin Yokohama, Kohoku-ku, Yokohama, Kanagawa 222-8575	TEL : +81(45)476-2131	FAX : +81(45)476-2128
Nagoya	Dainagayo Building 9F 3-28-12, Meieki, Nakamura-ku, Nagoya, Aichi 450-0002	TEL : +81(52)581-8521	FAX : +81(52)561-2173
Kyoto	579-32 Higashi Shiokouji-cho, Karasuma Nishi-iru, Shiokoujidori, Shimogyo-ku, Kyoto 600-8216	TEL : +81(75)311-2121	FAX : +81(75)314-6559

(Contact address for overseas customers in Japan)

Yokohama	TEL : +81(45)476-9270	FAX : +81(045)476-9271
----------	-----------------------	------------------------