

STRUCTURE Silicon Monolithic Integrated Circuit

PRODUCT CONSTANT VOLTAGE AND CONSTANT CURRENT
CONTROLLER FOR BATTERY CHARGERS AND ADAPTORS

TYPE **B D 6 5 5 0 G**

FEATURE

www.DataSheet4U.com

- Constant current and constant voltage control
- High accuracy reference voltage: $1.21V \pm 1\%$
- An accuracy for current-detecting voltage: $\pm 2\%$

○ ABSOLUTE MAXIMUM RATINGS (Ta=25°C)

PARAMETER	Symbol	Limit	Unit
Power Supply Voltage	VMAX	-0.3 ~ 14	V
ICT Pin Maximum Voltage	VICTMAX	-0.3 ~ VCC	V
Power Dissipation	Pd	675 *1	mW
Operating Temperature Range	Topr	0 ~ +85	°C
Storage Temperature Range	Tstg	-55 ~ +150	°C

*1 Pd derated at 5.4mW/°C for temperature above Ta=25°C,
mounted on 70mmX70mmX1.6mm glass-epoxy PCB.

○ OPERATING CONDITIONS (Ta=0~+85°C)

PARAMETER	Symbol	Limit	Unit
Power Supply Voltage	VCC	2.5~12	V

Status of this document

The Japanese version of this document is the official specification.

Please use the translation version of this document as a reference to expedite understanding of the official version.

If there is any uncertainty in translation version of this document, official version takes priority.

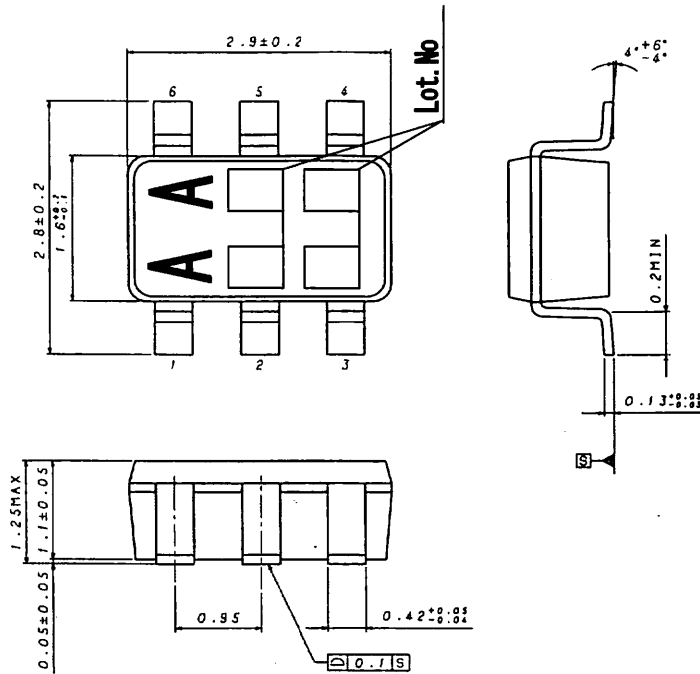
○ ELECTRICAL CHARACTERISTICS (Ta=25°C and Vcc=+5V (unless otherwise specified))

PARAMETER	Symbol	Limit			UNIT	Conditions
		MIN.	TYP.	MAX.		
【Total Current Consumption】						
Total Supply Current - not taking the output sinking current into account	ICC	-	0.9	2	mA	
【Voltage Control Loop】						
Transconduction Gain(VCT). Sink Current Only	GMV	1	4.0	-	mA/mV	*1
Voltage Control Loop Reference at 1.5mA sinking current	VREF	1.198	1.21	1.222	V	Ta=25°C
		1.186	1.21	1.234		0 < Ta < 85°C *1
Input Bias Current(VCT)	lbv	-	50	-	nA	*1
【Current Control Loop】						
Transconduction Gain(ICT). Sink Current Only	GMI	1.5	4.0	-	mA/mV	*1
Current Control Loop Reference at 2.5mA sinking current	VSE	196	200	204	mV	Ta=25°C
		192	200	208		0 < Ta < 85°C *1
Current out of pin ICT at -200mV	lbi	-	25	-	μA	
【Output Stage】						
Low output voltage at 10mA sinking current	VOL	-	200	-	mV	VSE=0V, ICT=-0.3V
Output Short Circuit Current, Output to VCC, Sink Current Only	IOS	-	20	50	mA	OUT=VCC, VSE=0V, ICT=-0.3V

● This product is not designed for protection against radio active rays.

*1 Design Guarantee

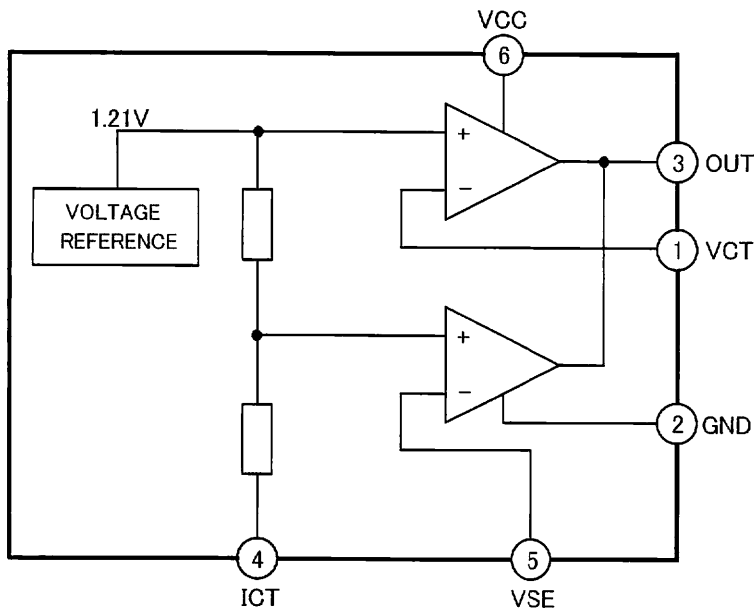
○ PACKAGE, MARKING SPECIFICATION



SSOP6 (UNIT:mm)

Rev. B

○ BLOCK DIAGRAM



www.DataSheet4U.com

○ PIN No. & PIN NAME

PIN No.	PIN Name	Function
1	VCT	Input Pin of the Voltage Control Loop
2	GND	Ground Line. 0V Reference For All Voltages
3	OUT	Output Pin. Sinking Current Only
4	ICT	Input Pin of the Current Control Loop(+)
5	VSE	Input Pin of the Current Control Loop(-)
6	VCC	Positive Power Supply Line

○ Operation Notes

1) Absolute maximum ratings

Use of the IC in excess of absolute maximum ratings such as the applied voltage or operating temperature range may result in IC deterioration or damage. Assumptions should not be made regarding the state of the IC (short mode or open mode) when such damage is suffered. A physical safety measure such as a fuse should be implemented when use of the IC in a special mode where the absolute maximum ratings may be exceeded is anticipated.

2) GND potential

Ensure a minimum GND pin potential in all operating conditions. In addition, ensure that no pins other than the GND pin carry a voltage lower than or equal to the GND pin, including during actual transient phenomena. As an exception, the circuit design allows voltages up to -0.3 V to be applied to the ICT pin.

3) Setting of heat

Use a thermal design that allows for a sufficient margin in light of the power dissipation (Pd) in actual operating conditions.

4) Pin short and mistake fitting

Use caution when orienting and positioning the IC for mounting on printed circuit boards. Improper mounting may result in damage to the IC. Shorts between output pins or between output pins and the power supply and GND pin caused by the presence of a foreign object may result in damage to the IC.

5) Actions in strong magnetic field

Use caution when using the IC in the presence of a strong electromagnetic field as doing so may cause the IC to malfunction.

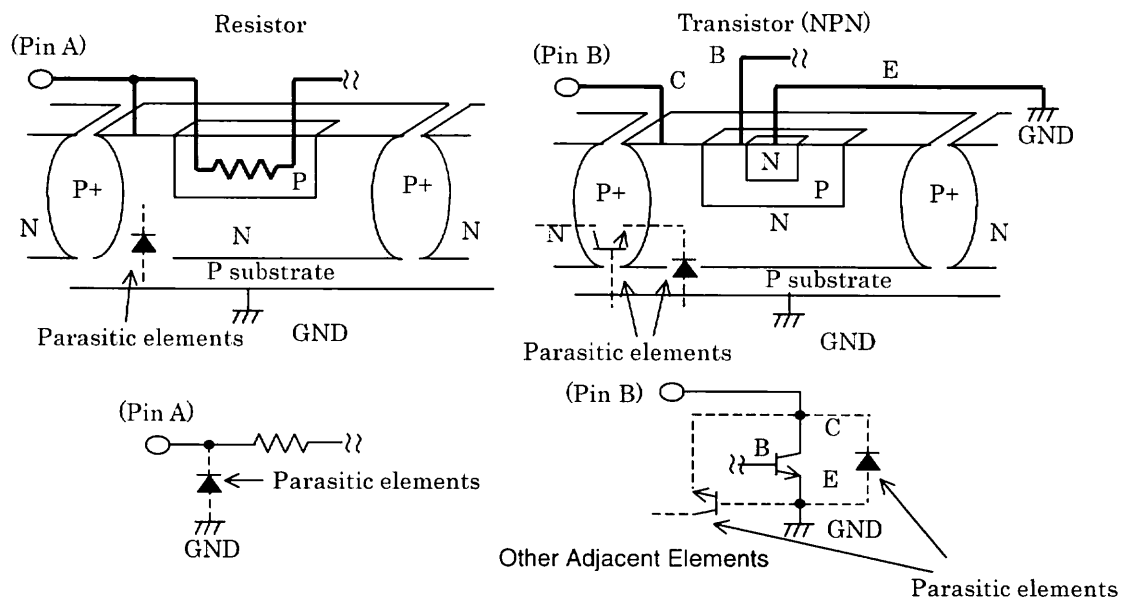
6) Mutual impedance

Power supply and ground wiring should reflect consideration of the need to lower mutual impedance and minimize ripple as much as possible (by making wiring as short and thick as possible or rejecting ripple by incorporating inductance and capacitance).

7) Regarding input pin of the IC

This monolithic IC contains P+ isolation and P substrate layers between adjacent elements in order to keep them isolated. P/N junctions are formed at the intersection of these P layers with the N layers of other elements to create a variety of parasitic elements. For example, when a resistor and transistor are connected to pins as shown in Fig. 19, the P/N junction functions as a parasitic diode when GND > (Pin A) for the resistor or GND > (Pin B) for the transistor (NPN). Similarly, when GND > (Pin B) for the transistor (NPN), the parasitic diode described above combines with the N layer of other elements to operate as a parasitic NPN transistor. The formation of parasitic elements as a result of the relationships of the potentials of different pins is an inevitable result of the IC's architecture. The operation of parasitic elements can cause interference with circuit operation as well as IC malfunction and damage. For these reasons, it is necessary to use caution so that the IC is not used in a way that will trigger the operation of parasitic elements, such as by the application of voltages lower than the GND (P substrate) voltage to I/O pins.

Although the circuit design allows voltages up to -0.3 V to be applied to the ICT pin, voltages lower than this may cause the behavior described above. Use caution when designing the circuit.



Simplified structure of a Monolithic IC

Rev. B

Notes

- No technical content pages of this document may be reproduced in any form or transmitted by any means without prior permission of ROHM CO.,LTD.
- The contents described herein are subject to change without notice. The specifications for the product described in this document are for reference only. Upon actual use, therefore, please request that specifications to be separately delivered.
- Application circuit diagrams and circuit constants contained herein are shown as examples of standard use and operation. Please pay careful attention to the peripheral conditions when designing circuits and deciding upon circuit constants in the set.
- Any data, including, but not limited to application circuit diagrams information, described herein are intended only as illustrations of such devices and not as the specifications for such devices. ROHM CO.,LTD. disclaims any warranty that any use of such devices shall be free from infringement of any third party's intellectual property rights or other proprietary rights, and further, assumes no liability of whatsoever nature in the event of any such infringement, or arising from or connected with or related to the use of such devices.
- Upon the sale of any such devices, other than for buyer's right to use such devices itself, resell or otherwise dispose of the same, no express or implied right or license to practice or commercially exploit any intellectual property rights or other proprietary rights owned or controlled by
- ROHM CO., LTD. is granted to any such buyer.
- Products listed in this document are no antiradiation design.

The products listed in this document are designed to be used with ordinary electronic equipment or devices (such as audio visual equipment, office-automation equipment, communications devices, electrical appliances and electronic toys).

Should you intend to use these products with equipment or devices which require an extremely high level of reliability and the malfunction of which would directly endanger human life (such as medical instruments, transportation equipment, aerospace machinery, nuclear-reactor controllers, fuel controllers and other safety devices), please be sure to consult with our sales representative in advance.

About Export Control Order in Japan

Products described herein are the objects of controlled goods in Annex 1 (Item 16) of Export Trade Control Order in Japan.

In case of export from Japan, please confirm if it applies to "objective" criteria or an "informed" (by MITI clause) on the basis of "catch all controls for Non-Proliferation of Weapons of Mass Destruction.

Thank you for your accessing to ROHM product informations.
More detail product informations and catalogs are available,
please contact your nearest sales office.

Please contact our sales offices for details ;

U.S.A / San Diego	TEL : +1(858)625-3630	FAX : +1(858)625-3670
Atlanta	TEL : +1(770)754-5972	FAX : +1(770)754-0691
Dallas	TEL : +1(972)312-8818	FAX : +1(972)312-0330
Germany / Dusseldorf	TEL : +49(2154)9210	FAX : +49(2154)921400
United Kingdom / London	TEL : +44(1)908-282-666	FAX : +44(1)908-282-528
France / Paris	TEL : +33(0)1 56 97 30 60	FAX : +33(0) 1 56 97 30 80
China / Hong Kong	TEL : +852(2)740-6262	FAX : +852(2)375-8971
Shanghai	TEL : +86(21)6279-2727	FAX : +86(21)6247-2066
Dilian	TEL : +86(411)8230-8549	FAX : +86(411)8230-8537
Beijing	TEL : +86(10)8525-2483	FAX : +86(10)8525-2489
Taiwan / Taipei	TEL : +866(2)2500-6956	FAX : +866(2)2503-2869
Korea / Seoul	TEL : +82(2)8182-700	FAX : +82(2)8182-715
Singapore	TEL : +65-6332-2322	FAX : +65-6332-5662
Malaysia / Kuala Lumpur	TEL : +60(3)7958-8355	FAX : +60(3)7958-8377
Philippines / Manila	TEL : +63(2)807-6872	FAX : +63(2)809-1422
Thailand / Bangkok	TEL : +66(2)254-4890	FAX : +66(2)256-6334

Japan /
(Internal Sales)

Tokyo	2-1-1, Yaesu, Chuo-ku, Tokyo 104-0082	TEL : +81(3)5203-0321	FAX : +81(3)5203-0300
Yokohama	2-4-8, Shin Yokohama, Kohoku-ku, Yokohama, Kanagawa 222-8575	TEL : +81(45)476-2131	FAX : +81(45)476-2128
Nagoya	Dainagayo Building 9F 3-28-12, Meieki, Nakamura-ku, Nagoya, Aichi 450-0002	TEL : +81(52)581-8521	FAX : +81(52)561-2173
Kyoto	579-32 Higashi Shiokouji-cho, Karasuma Nishi-iru, Shiokoujidori, Shimogyo-ku, Kyoto 600-8216	TEL : +81(75)311-2121	FAX : +81(75)314-6559

(Contact address for overseas customers in Japan)

Yokohama	TEL : +81(45)476-9270	FAX : +81(045)476-9271
----------	-----------------------	------------------------

As of 18th. April 2005