

## DC Brushless Motor Drivers for Fans

# Multifunction Single-phase Full-wave Fan Motor Driver

**BD69740FV**
**Description**

BD69740FV is a pre-driver that controls the motor drive part composed of the power transistors.

It incorporates current limiting circuit, lock protection and automatic restart circuit, PWM soft switching circuit, soft start circuit, and quick start circuit.

The pin is compatible with BD69730FV (rotation speed pulse signal output).

**Features**

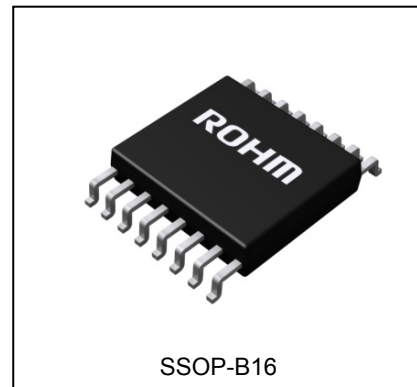
- Pre-driver for external power transistors
- Speed controllable by DC / direct PWM input
- PWM soft switching
- Soft start
- Quick start
- Current limit
- Lock protection and automatic restart
- Lock alarm signal (AL) output

**Applications**

- Fan motors for general consumer equipment of desktop PC, and Server, etc.

**Package**

SSOP-B16

 W(Typ) x D(Typ) x H(Max)  
 5.00mm x 6.40mm x 1.35mm

**Absolute Maximum Ratings**

| Parameter                              | Symbol     | Rating                   | Unit |
|--|------------|--------------------------|------|
| Supply Voltage                         | $V_{CC}$   | 20                       | V    |
| Power Dissipation                      | $P_d$      | 0.87 <sup>(Note 1)</sup> | W    |
| Operating Temperature                  | $T_{opr}$  | -40 to +105              | °C   |
| Storage Temperature                    | $T_{stg}$  | -55 to +150              | °C   |
| Junction Temperature                   | $T_{jmax}$ | 150                      | °C   |
| High side output voltage               | $V_{OH}$   | 36                       | V    |
| Low side output voltage                | $V_{OL}$   | 15                       | V    |
| Low side output current                | $I_{OL}$   | 10                       | mA   |
| Lock alarm signal (AL) output voltage  | $V_{AL}$   | 20                       | V    |
| Lock alarm signal (AL) output current  | $I_{AL}$   | 10                       | mA   |
| Reference voltage (REF) output current | $I_{REF}$  | 12                       | mA   |
| Hall bias (HB) output current          | $I_{HB}$   | 12                       | mA   |
| Input voltage (H+, H-, TH, MIN, CS)    | $V_{IN}$   | 7                        | V    |

(Note 1) Reduce by 7.0mW/°C over 25°C. (On 70.0mm×70.0mm×1.6mm glass epoxy board)

**Caution:** Operating the IC over the absolute maximum ratings may damage the IC. The damage can either be a short circuit between pins or an open circuit between pins and the internal circuitry. Therefore, it is important to consider circuit protection measures, such as adding a fuse, in case the IC is operated over the absolute maximum ratings.

## Recommended Operating Conditions

| Parameter  | Symbol            | Min  | Typ | Max                | Unit |
|--|-------------------|------|-----|--------------------|------|
| Supply Voltage   | V <sub>CC</sub>   | 4.3  | 12  | 17                 | V    |
| Hall Input Voltage1<br>(more than V <sub>CC</sub> =9V) | V <sub>H1</sub>   | 0    | -   | 7                  | V    |
| Hall Input Voltage2<br>(less than V <sub>CC</sub> =9V) | V <sub>H2</sub>   | 0    | -   | V <sub>CC</sub> -2 | V    |
| HALL Signal Level                                      | V <sub>HAMP</sub> | ±100 | -   | ±500               | mV   |
| Operating Input Voltage (TH, MIN)                      | V <sub>IN</sub>   | 0    | -   | V <sub>REF</sub>   | V    |

Electrical Characteristics (Unless otherwise specified Ta=25°C, V<sub>CC</sub>=12V)

| Parameter                     | Symbol             | Min  | Typ  | Max  | Unit | Conditions  | Characteristics |
|-------------------------------|--------------------|------|------|------|------|---|-----------------|
| Circuit Current               | I <sub>CC</sub>    | 3    | 5    | 8    | mA   |   | Figure 1        |
| Hall Input Hysteresis Voltage | V <sub>HYS</sub>   | ±5   | ±10  | ±15  | mV   |   | Figure 2        |
| High Side Output Current      | I <sub>OH</sub>    | 9.0  | 12.0 | 16.5 | mA   | V <sub>OH</sub> =12V  | Figure 3        |
| High Side Output Leak Current | I <sub>OH</sub> L  | -    | -    | 10   | μA   | V <sub>OH</sub> =36V  | Figure 4        |
| Low Side Output High Voltage  | V <sub>OLH</sub>   | 9.3  | 9.5  | -    | V    | I <sub>OL</sub> =-5mA   | Figure 5,6      |
| Low Side Output Low Voltage   | V <sub>OLL</sub>   | -    | 0.5  | 0.7  | V    | I <sub>OL</sub> =5mA  | Figure 7,8      |
| Lock Detection ON Time        | t <sub>ON</sub>    | 0.20 | 0.30 | 0.45 | s    |   | Figure 9        |
| Lock Detection OFF Time       | t <sub>OFF</sub>   | 4.0  | 6.0  | 9.0  | s    |   | Figure 10       |
| AL Output Low Voltage         | V <sub>ALL</sub>   | -    | -    | 0.3  | V    | I <sub>AL</sub> =5mA  | Figure 11,12    |
| AL Output Leak Current        | I <sub>ALL</sub>   | -    | -    | 10   | μA   | V <sub>AL</sub> =17V  | Figure 13       |
| OSC High Voltage              | V <sub>OSCH</sub>  | 2.3  | 2.5  | 2.7  | V    |   | Figure 14       |
| OSC Low Voltage               | V <sub>OSCL</sub>  | 0.8  | 1.0  | 1.2  | V    |   | Figure 14       |
| OSC Charge Current            | I <sub>CO</sub> SC | -55  | -40  | -25  | μA   |   | Figure 15       |
| OSC Discharge Current         | I <sub>DO</sub> SC | 25   | 40   | 55   | μA   |   | Figure 15       |
| Output ON Duty 1              | P <sub>OH1</sub>   | 75   | 80   | 85   | %    | V <sub>TH</sub> =V <sub>REF</sub> × 0.26<br>H side pull up R=1kΩ, OSC=470pF | -               |
| Output ON Duty 2              | P <sub>OH2</sub>   | 45   | 50   | 55   | %    | V <sub>TH</sub> =V <sub>REF</sub> × 0.35<br>H side pull up R=1kΩ, OSC=470pF | -               |
| Output ON Duty 3              | P <sub>OH3</sub>   | 15   | 20   | 25   | %    | V <sub>TH</sub> =V <sub>REF</sub> × 0.44<br>H side pull up R=1kΩ, OSC=470pF | -               |
| Reference Voltage             | V <sub>REF</sub>   | 4.8  | 5.0  | 5.2  | V    | I <sub>REF</sub> =-2mA  | Figure 16,17    |
| Hall Bias Voltage             | V <sub>HB</sub>    | 1.10 | 1.26 | 1.50 | V    | I <sub>HB</sub> =-2mA   | Figure 18,19    |
| Current Limit Setting Voltage | V <sub>CL</sub>    | 120  | 150  | 180  | mV   |   | Figure 20       |
| SS Charge Current             | I <sub>SS</sub>    | -300 | -120 | -50  | nA   | V <sub>SS</sub> =0V   | Figure 21       |
| TH Input Bias Current         | I <sub>TH</sub>    | -    | -    | -0.2 | μA   | V <sub>TH</sub> =0V   | Figure 22       |
| MIN Input Bias Current        | I <sub>MIN</sub>   | -    | -    | -0.2 | μA   | V <sub>MIN</sub> =0V  | Figure 23       |
| CS Input Bias Current         | I <sub>CS</sub>    | -    | -    | -0.2 | μA   | V <sub>CS</sub> =0V   | Figure 24       |

About a current item, define the inflow current to IC as a positive notation, and the outflow current from IC as a negative notation.

## Truth Table

| Hall Input |    | IC Output |     |      |     | Motor Drive Output |      |
|------------|----|-----------|-----|------|-----|--------------------|------|
| H+         | H- | A1H       | A1L | A2H  | A2L | OUT1               | OUT2 |
| H          | L  | Hi-Z      | H   | L    | L   | L                  | H    |
| L          | H  | L         | L   | Hi-Z | H   | H                  | L    |

| Motor state | AL   |
|-------------|------|
| Rotating    | L    |
| Locking     | Hi-Z |

H; High, L; Low, Hi-Z; High impedance  
AL output is open-drain type.

Reference data

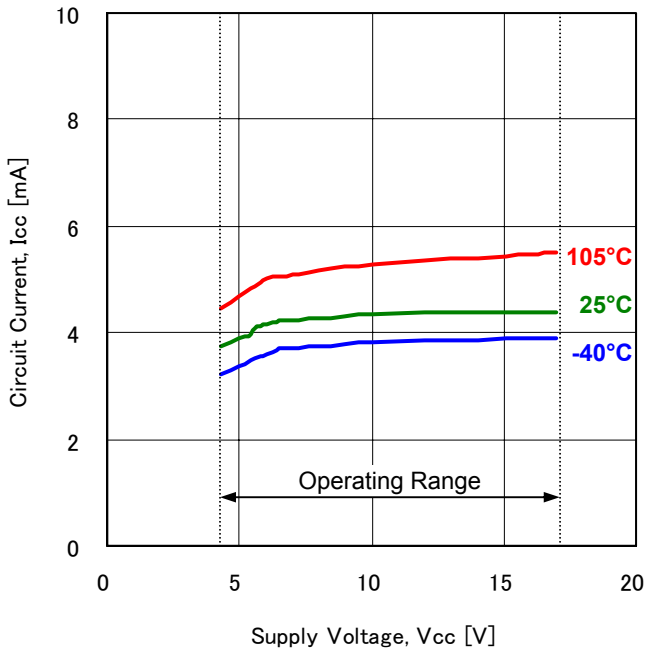


Figure 1. Circuit Current vs Supply Voltage

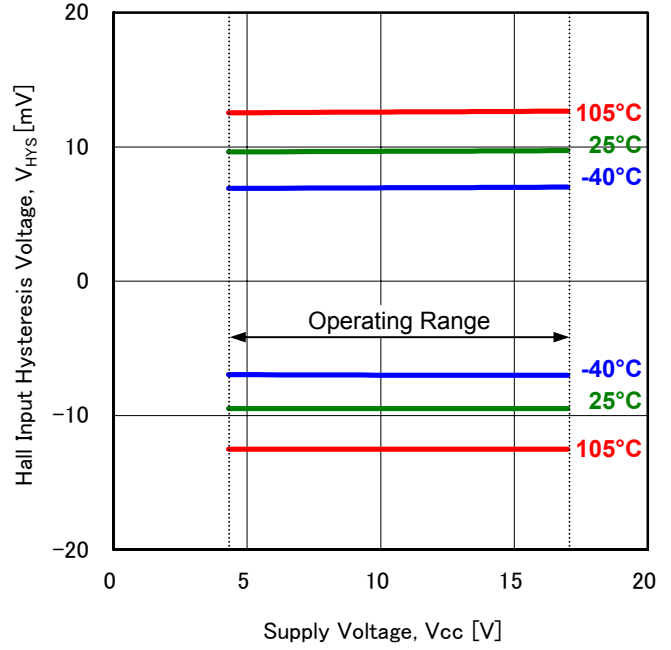


Figure 2. Hall Input Hysteresis Voltage vs Supply Voltage

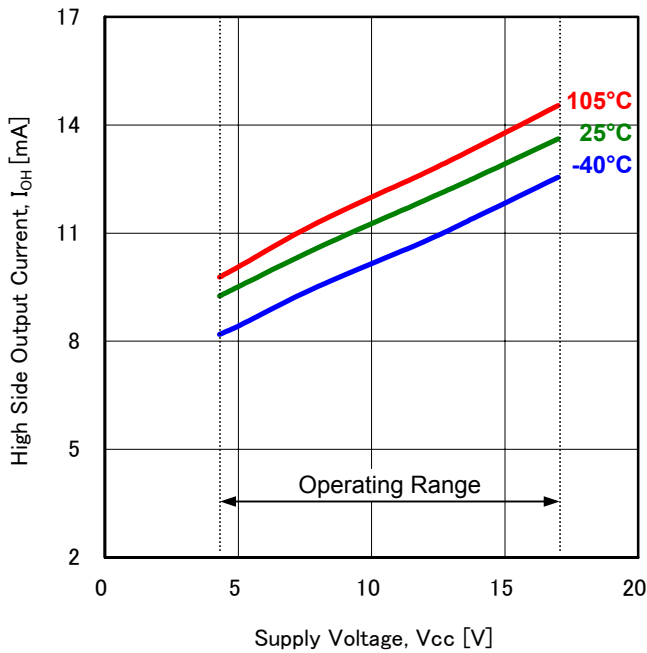


Figure 3. High Side Output Current vs Supply Voltage

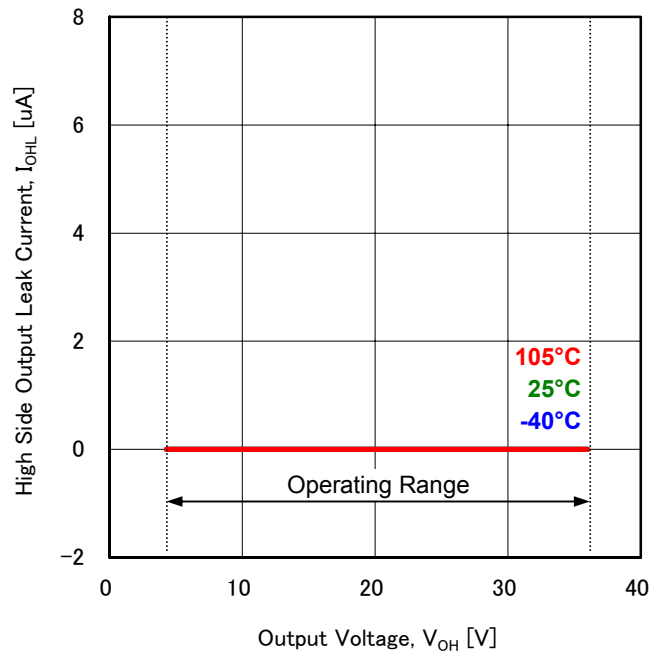


Figure 4. High Side Output Leak Current vs Output Voltage

Reference data- continued

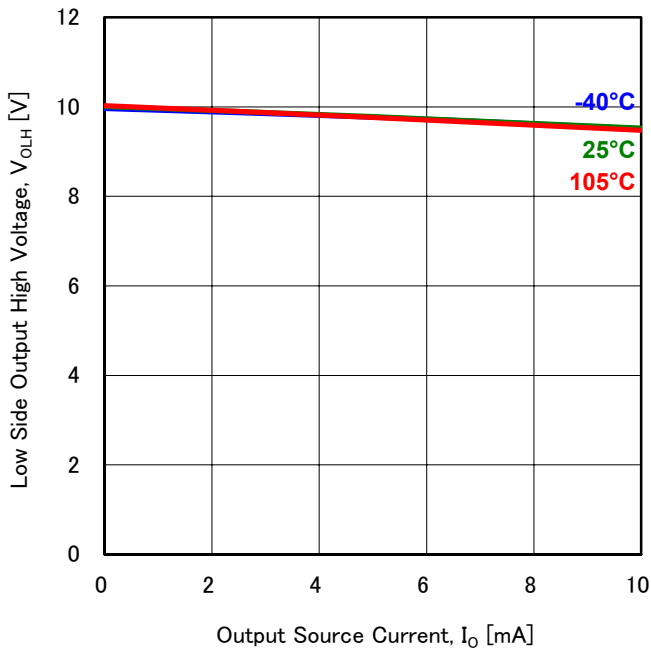


Figure 5. Low Side Output High Voltage vs Output Source Current (V<sub>cc</sub>=12V)

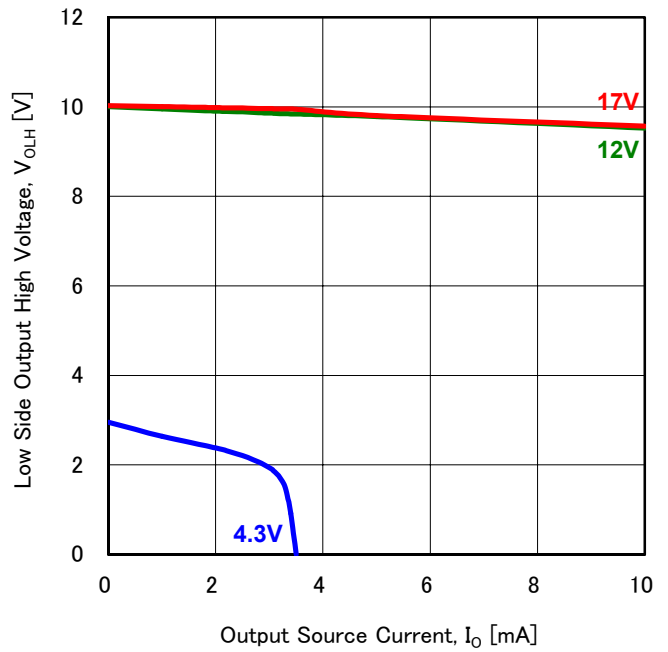


Figure 6. Low Side Output High Voltage vs Output Source Current (T<sub>a</sub>=25°C)

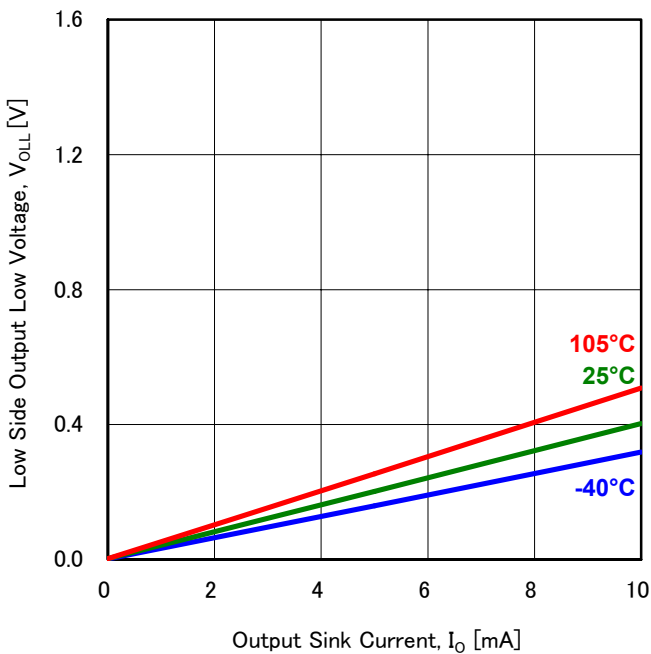


Figure 7. Low Side Output Low Voltage vs Output Sink Current (V<sub>cc</sub>=12V)

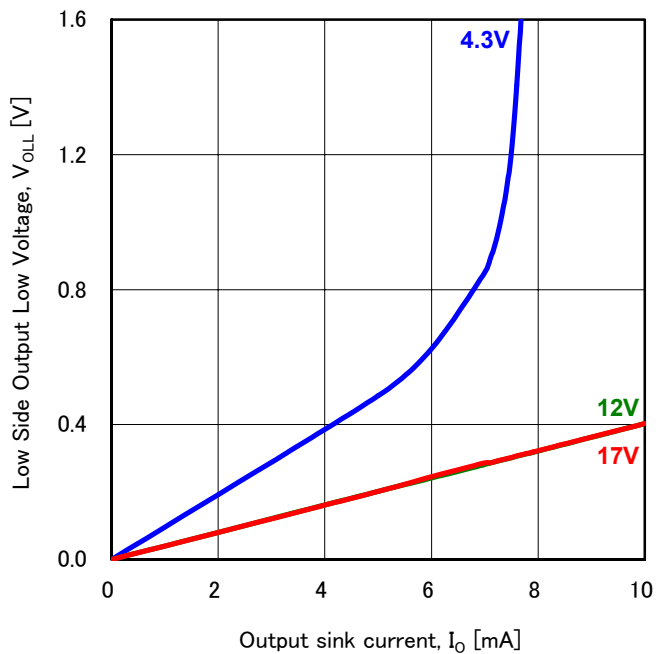


Figure 8. Low Side Output Low Voltage vs Output Sink Current (T<sub>a</sub>=25°C)

Reference data- continued

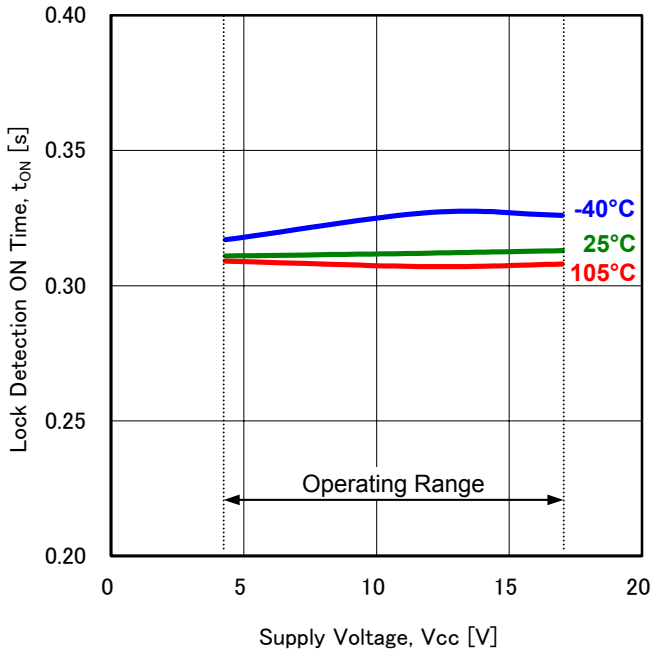


Figure 9. Lock Detection ON Time vs Supply Voltage

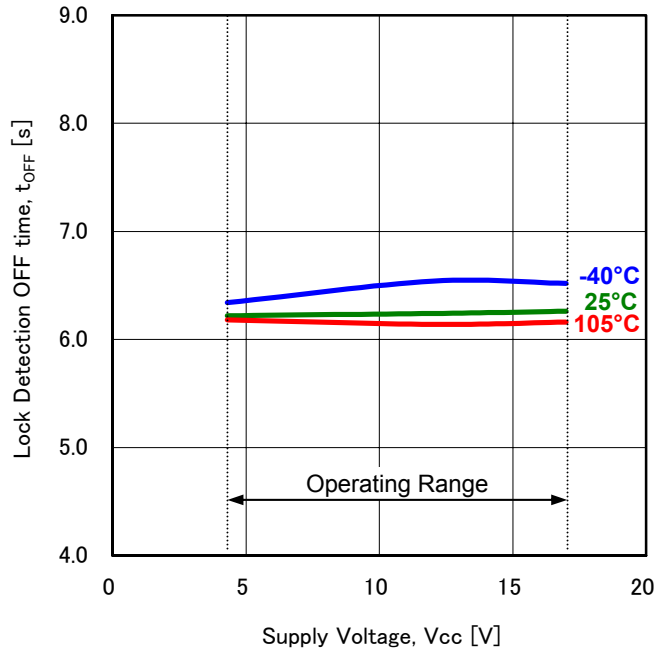


Figure 10. Lock Detection OFF Time vs Supply Voltage

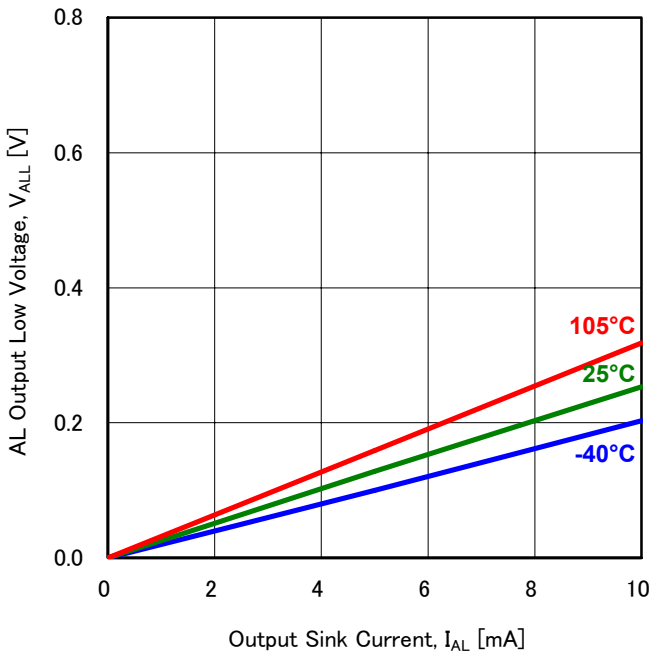


Figure 11. AL Output Low Voltage vs Output Sink Current (Vcc=12V)

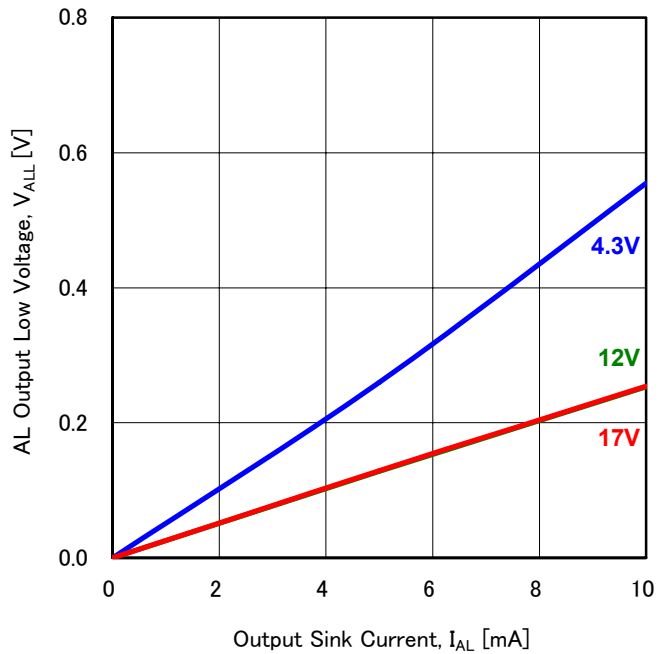


Figure 12. AL Output Low Voltage vs Output Sink Current (Ta=25°C)

Reference data- continued

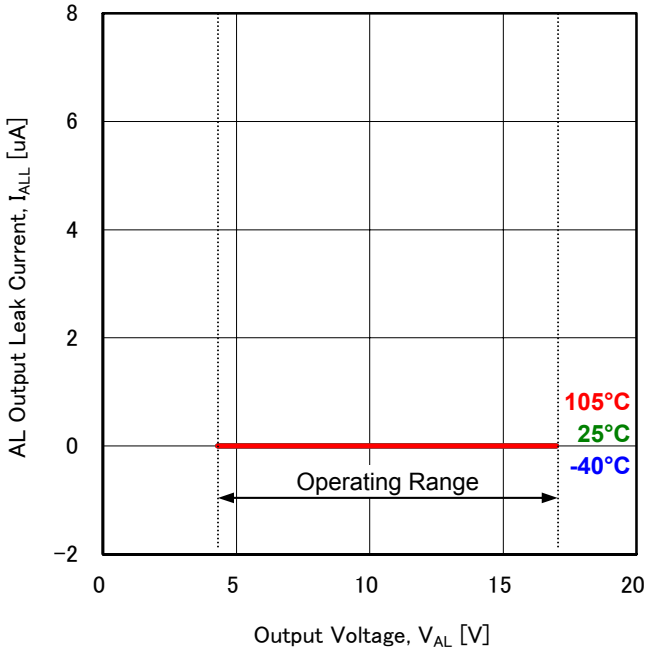


Figure 13. AL Output Leak Current vs Output Voltage

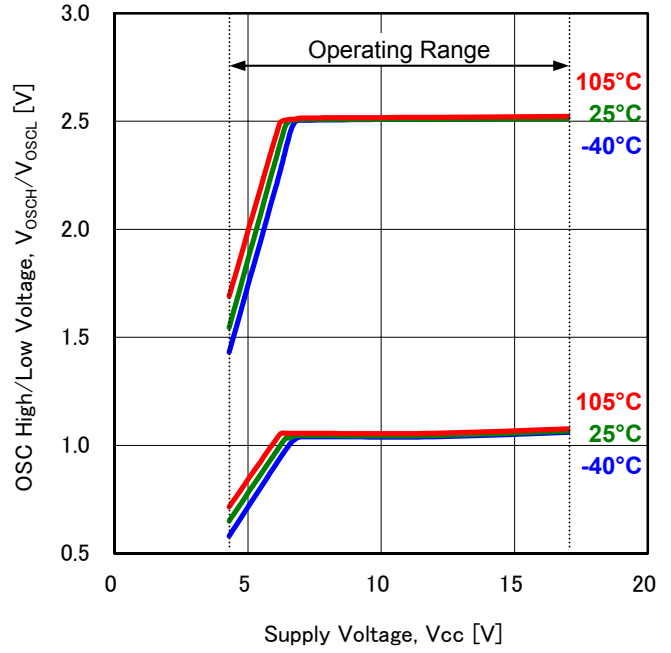


Figure 14. OSC High/Low Voltage vs Supply Voltage

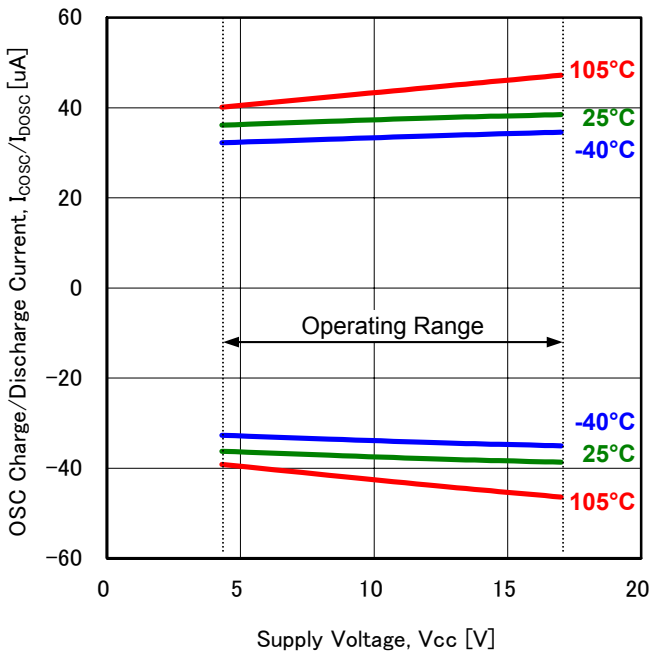


Figure 15. OSC Charge/Discharge Current vs Supply Voltage

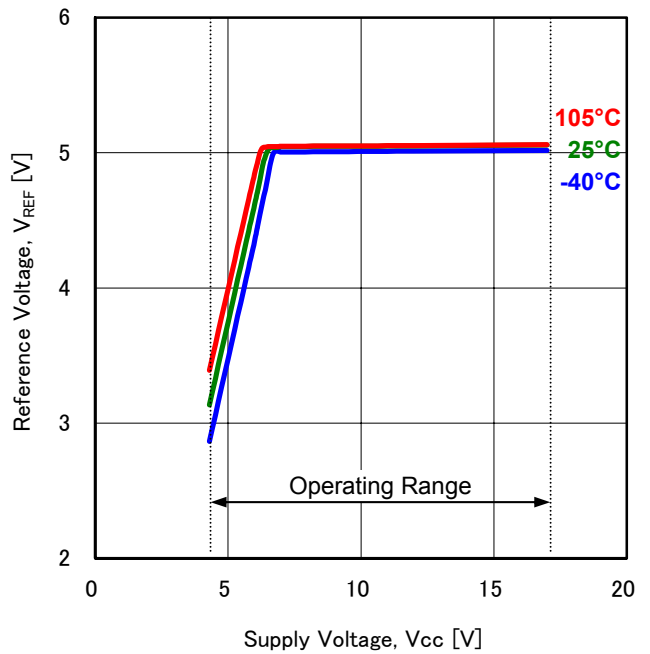


Figure 16. Reference Voltage vs Supply Voltage

Reference data- continued

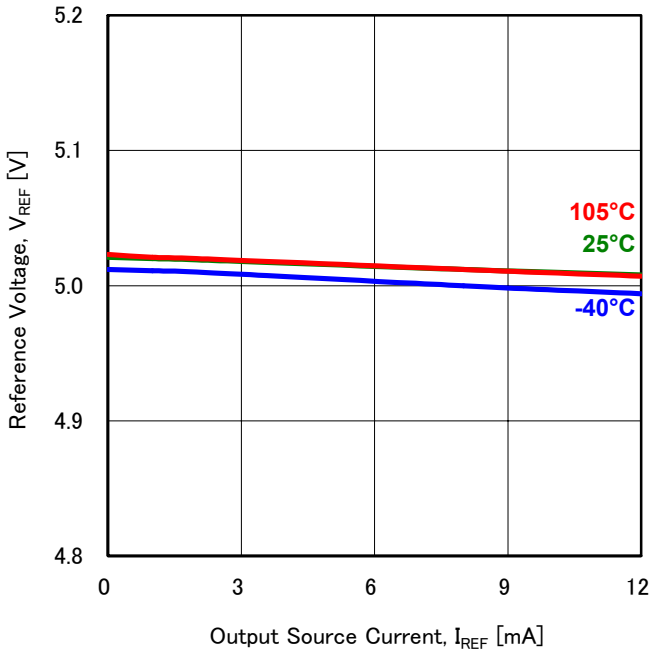


Figure 17. Reference Voltage vs Output Source Current (Vcc=12V)

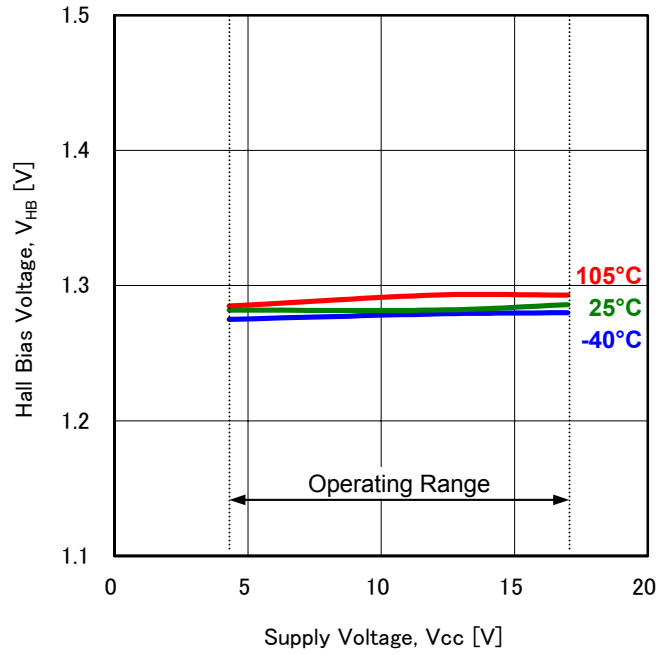


Figure 18. Hall Bias Voltage vs Supply Voltage

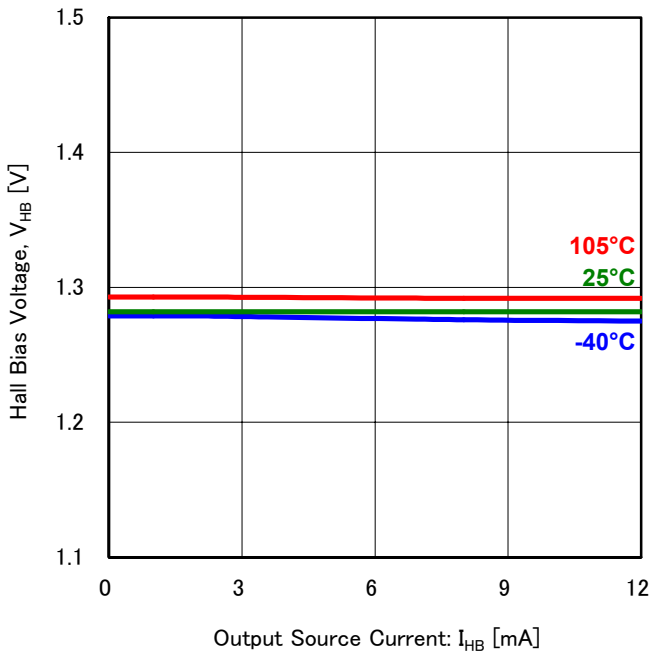


Figure 19. Hall Bias Voltage vs Output Source Current (Vcc=12V)

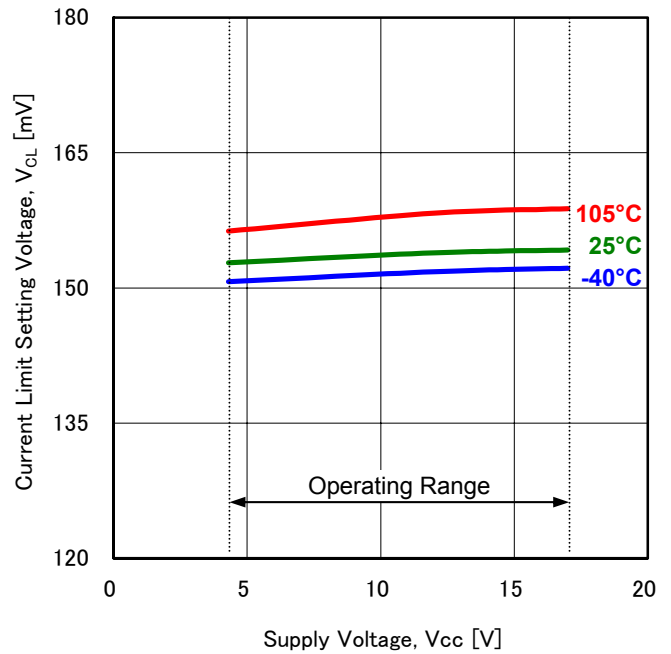


Figure 20. Current Limit Setting Voltage vs Supply Voltage

Reference data- continued

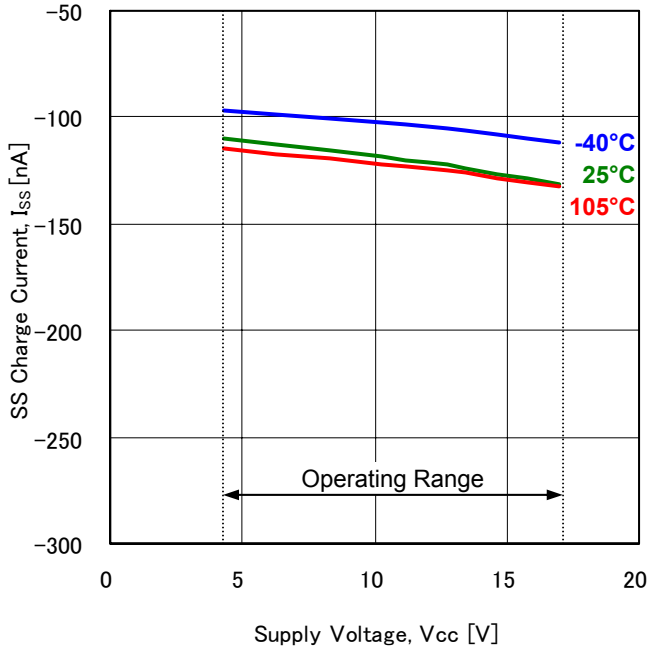


Figure 21. SS Charge Current vs Supply Voltage

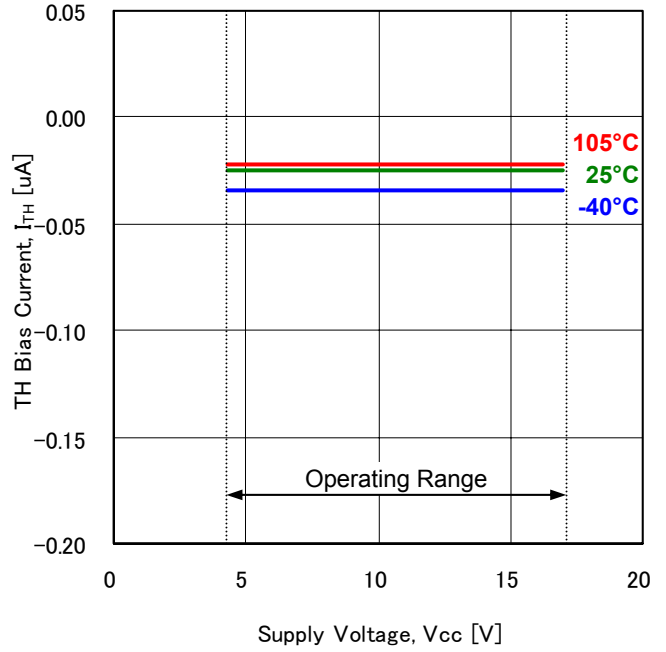


Figure 22. TH Bias Current vs Supply Voltage

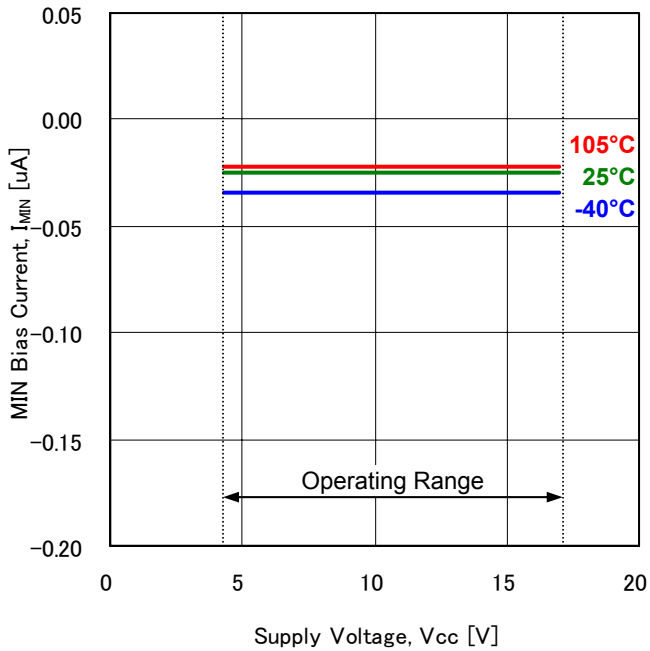


Figure 23. MIN Bias Current vs Supply Voltage

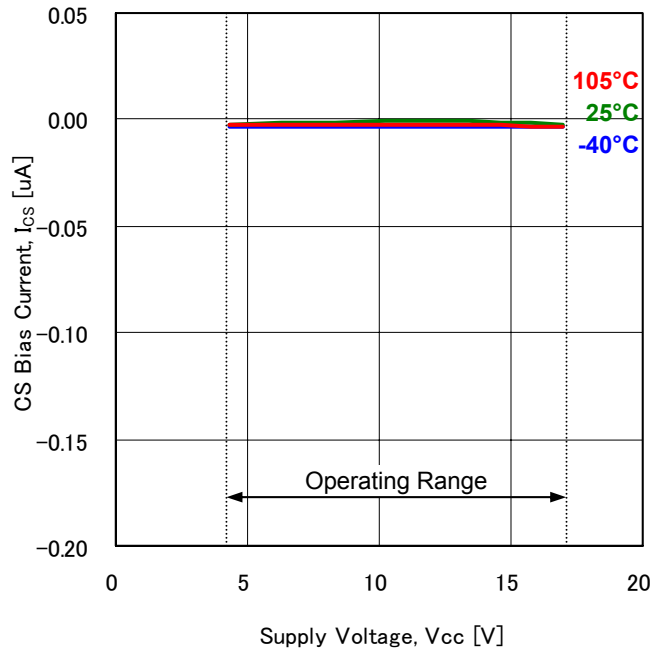
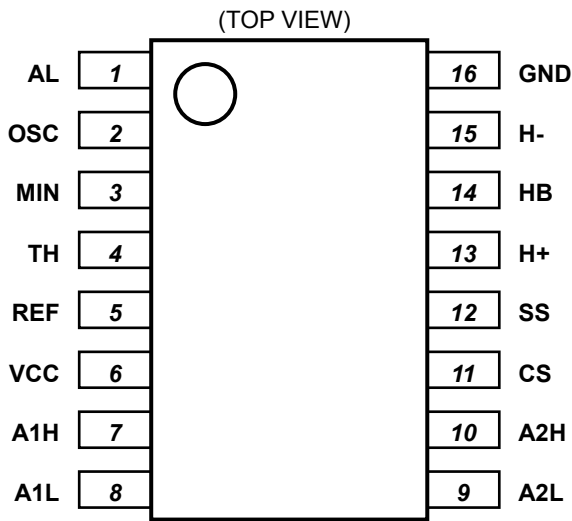


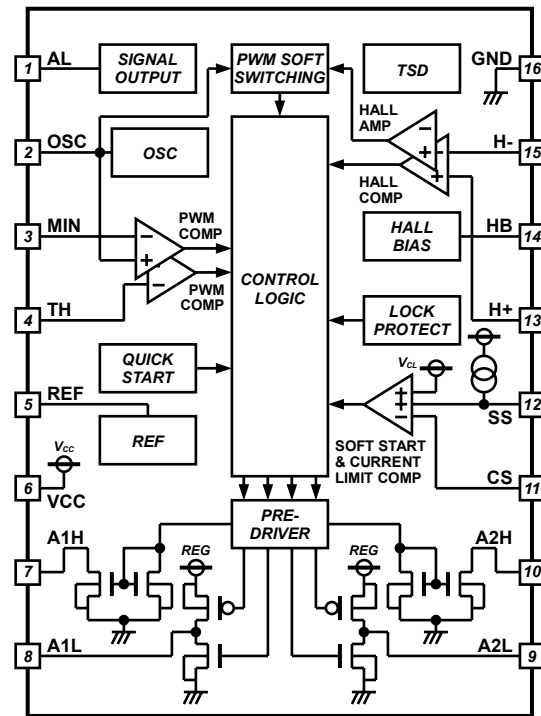
Figure 24. CS Bias Current vs Supply Voltage



Pin Configuration



Block Diagram



Pin Description

| Pin No. | Pin Name | Function                             |
|---------|----------|--------------------------------------|
| 1       | AL       | Lock alarm signal output pin         |
| 2       | OSC      | Oscillating capacitor connecting pin |
| 3       | MIN      | Minimum output duty setting pin      |
| 4       | TH       | Output duty controllable input pin   |
| 5       | REF      | Reference voltage output pin         |
| 6       | VCC      | Power supply pin                     |
| 7       | A1H      | High side output 1 pin               |
| 8       | A1L      | Low side output 1 pin                |
| 9       | A2L      | Low side output 2 pin                |
| 10      | A2H      | High side output 2 pin               |
| 11      | CS       | Output current detection pin         |
| 12      | SS       | Soft start capacitor connecting pin  |
| 13      | H+       | Hall + input pin                     |
| 14      | HB       | Hall bias pin                        |
| 15      | H-       | Hall - input pin                     |
| 16      | GND      | Ground pin                           |

Application circuit example(Constant values are for reference)

1) PWM input application 1

It is an example of the application of converting the external PWM duty into DC voltage, and controlling the rotational speed. Minimum rotational speed can be set.

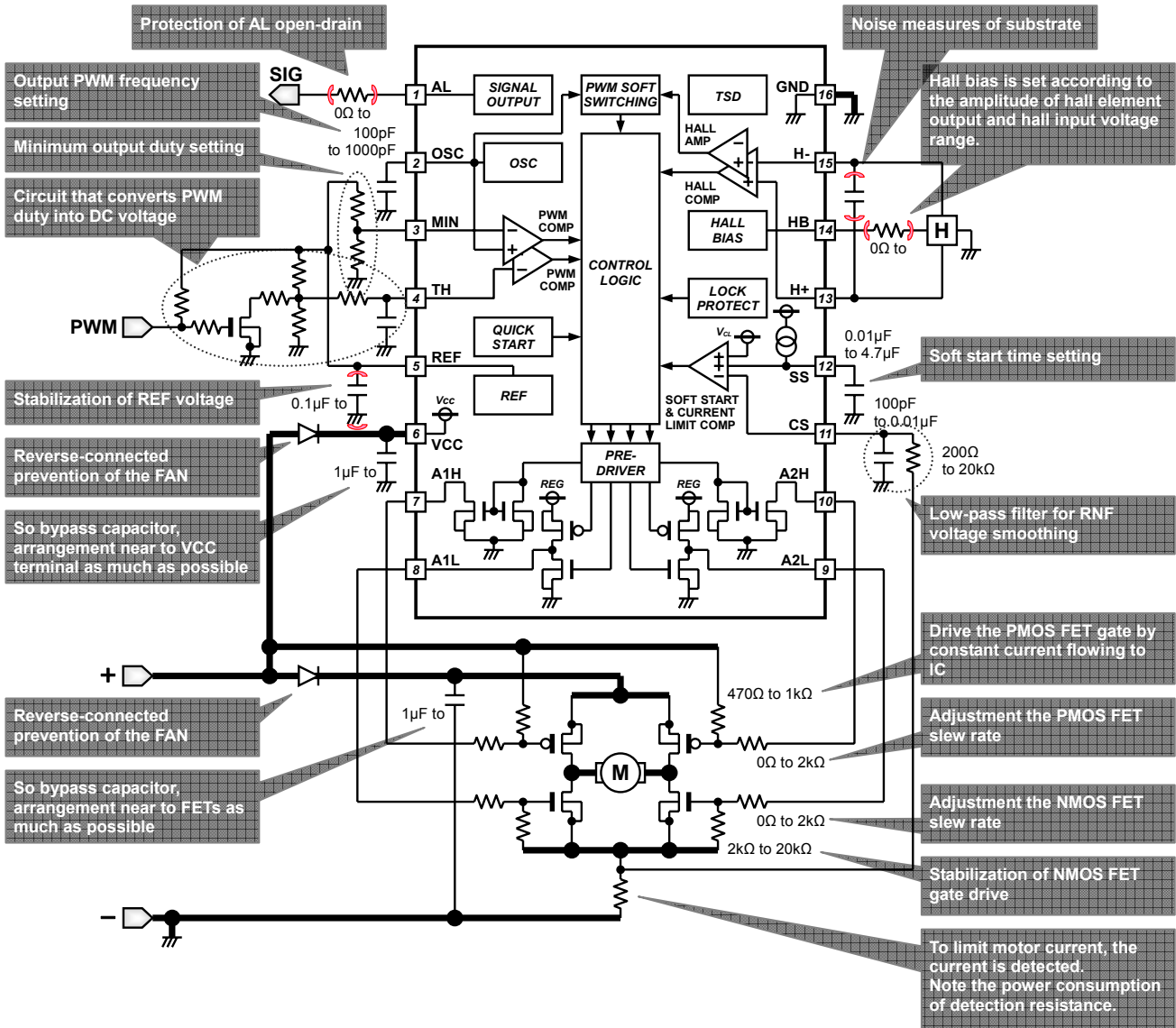


Figure 25. Application of converting PWM duty to DC voltage

Substrate design note

- Motor power and ground lines are made as fat as possible.
- IC power line is made as fat as possible.
- IC ground line is common with the application ground except motor ground (i.e. hall ground etc.), and arranged near to (-) land.
- The bypass capacitors (VCC side and VM side) are arrangement near to VCC terminal and FETs, respectively.
- H+ and H- lines are arranged side by side and made from the hall element to IC as shorter as possible, because it is easy for the noise to influence the hall lines.

Application circuit example(Constant values are for reference)

2) PWM input application 2

It is an example of the application of inverting the external PWM input, and controlling the rotational speed. In this application, if the external PWM input is OPEN, it controls by the set maximum rotational speed. Minimum rotational speed cannot be set.

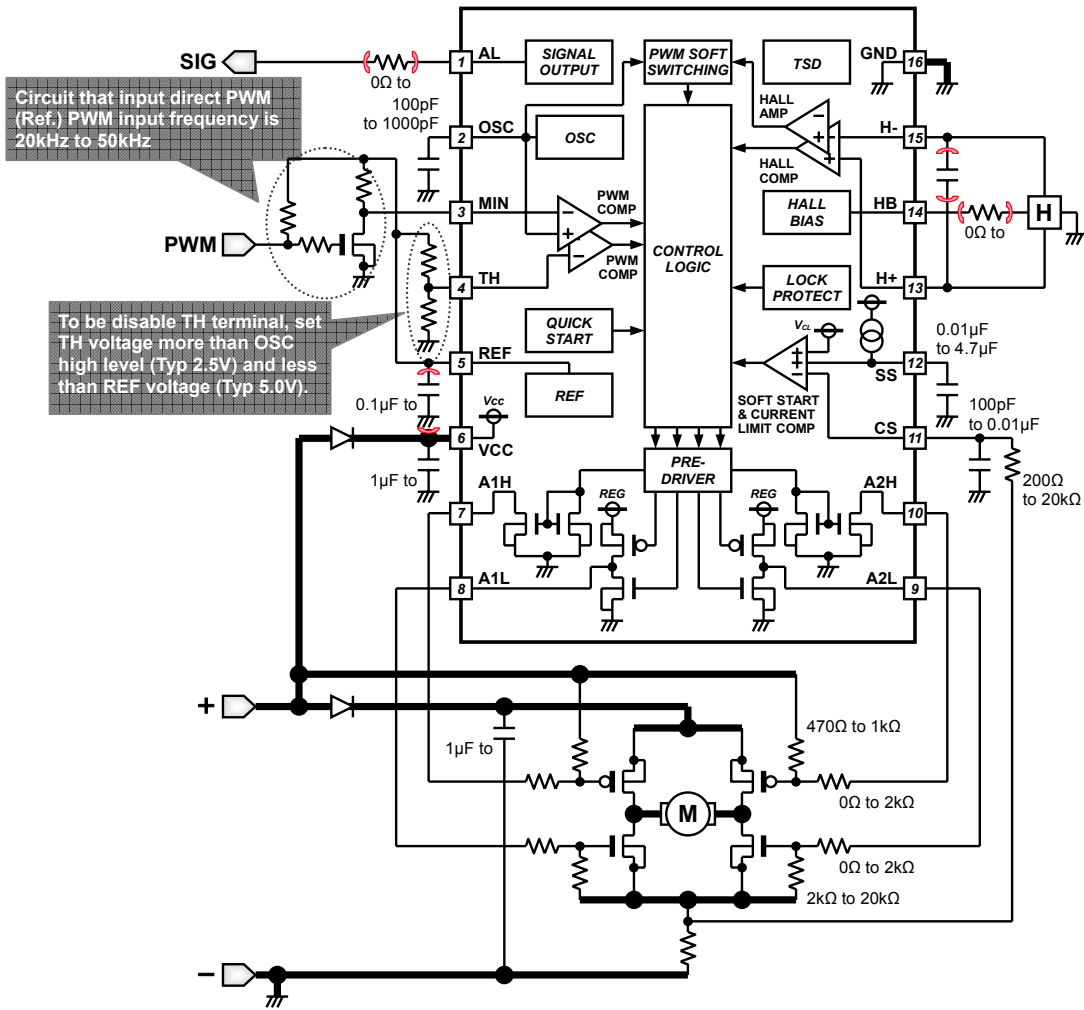


Figure 26. Application of direct PWM input

Application circuit example(Constant values are for reference)

3) DC voltage input application 1

It is an example of the application for the fixed rotation speed control by DC voltage. Minimum rotational speed cannot be set.

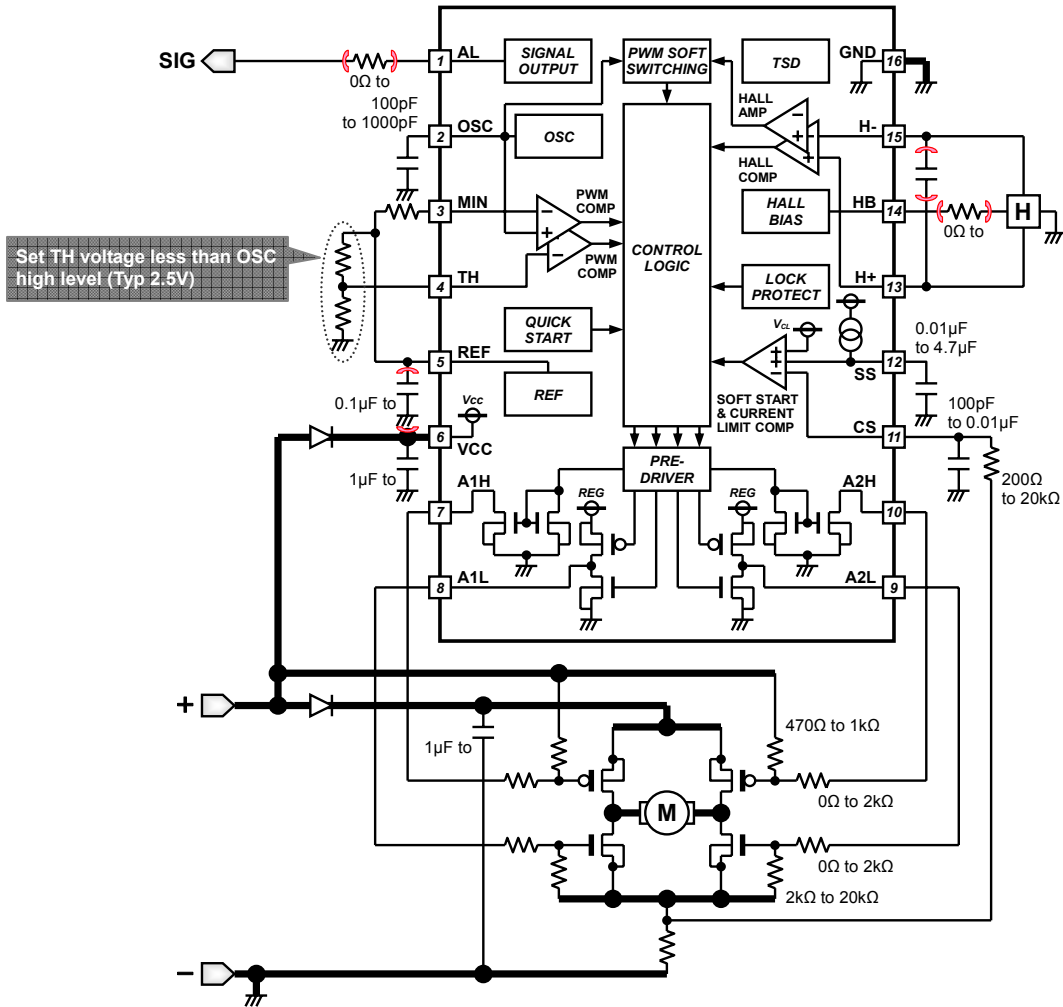


Figure 27. Application of DC voltage input

Application circuit example(Constant values are for reference)

4) DC voltage input application 2 (Thermistor control application)

It is an example of the application of controlling the rotational speed by the ambient temperature. In this application, if the thermistor is OPEN, it controls by the set maximum rotational speed.

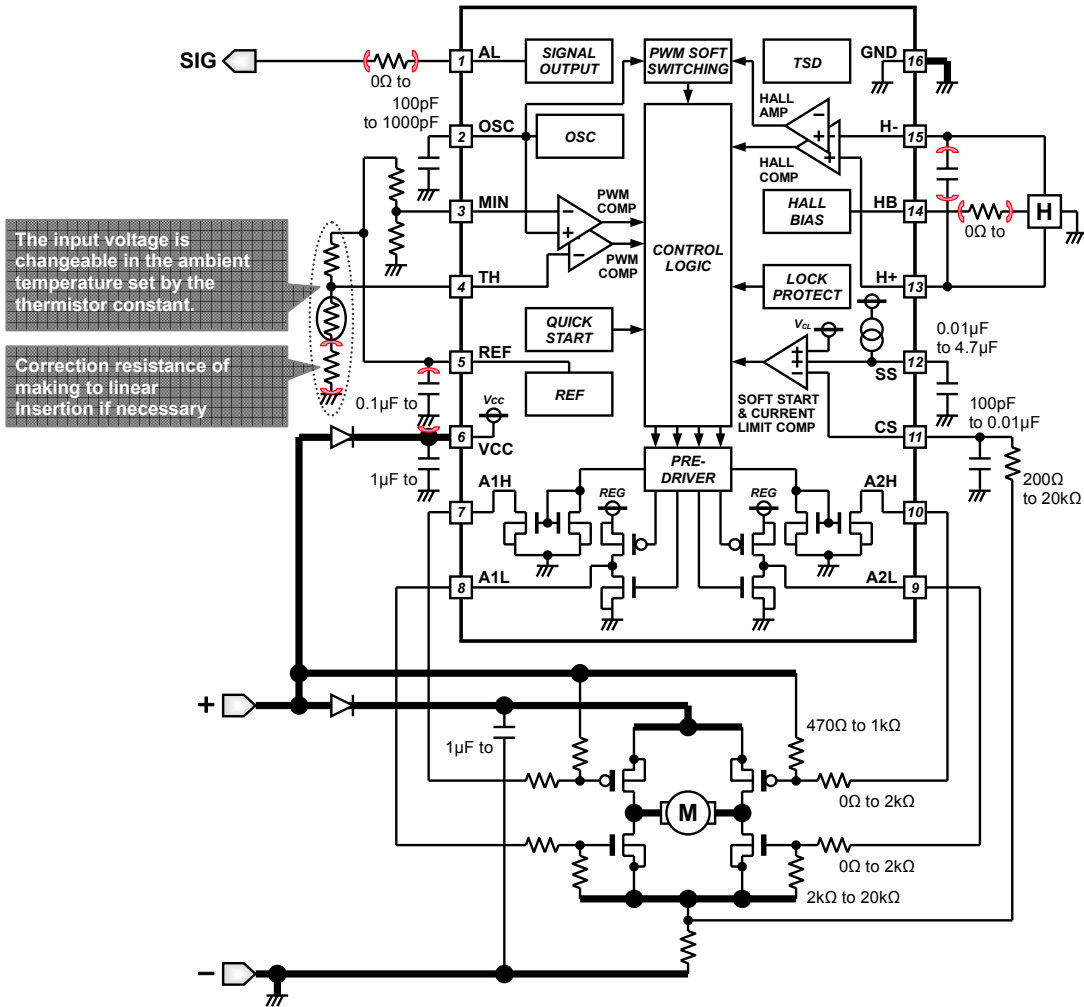


Figure 28. Application of thermistor control

Application circuit example(Constant values are for reference)

- 5) High voltage (24V power supply) application (PWM input application 1)  
It is an example of the application of converting the external PWM duty into DC voltage, and controlling the rotational speed. Minimum rotational speed can be set.

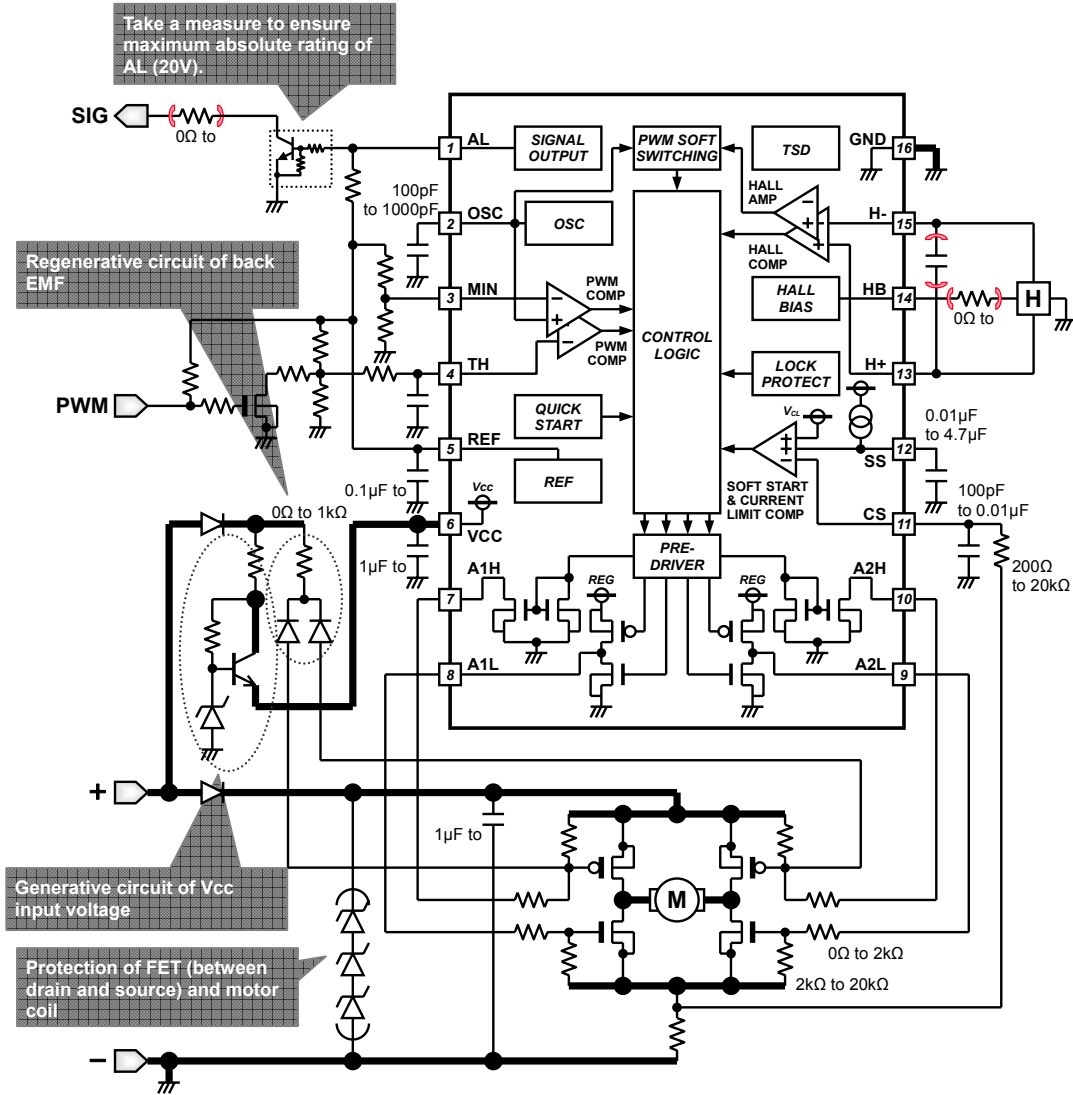


Figure 29. 24V power supply application of PWM input

Application circuit example(Constant values are for reference)

- 6) High voltage (over 48V power supply) application (PWM input application 1)  
It is an example of the application of converting the external PWM duty into DC voltage, and controlling the rotational speed. Minimum rotational speed can be set.

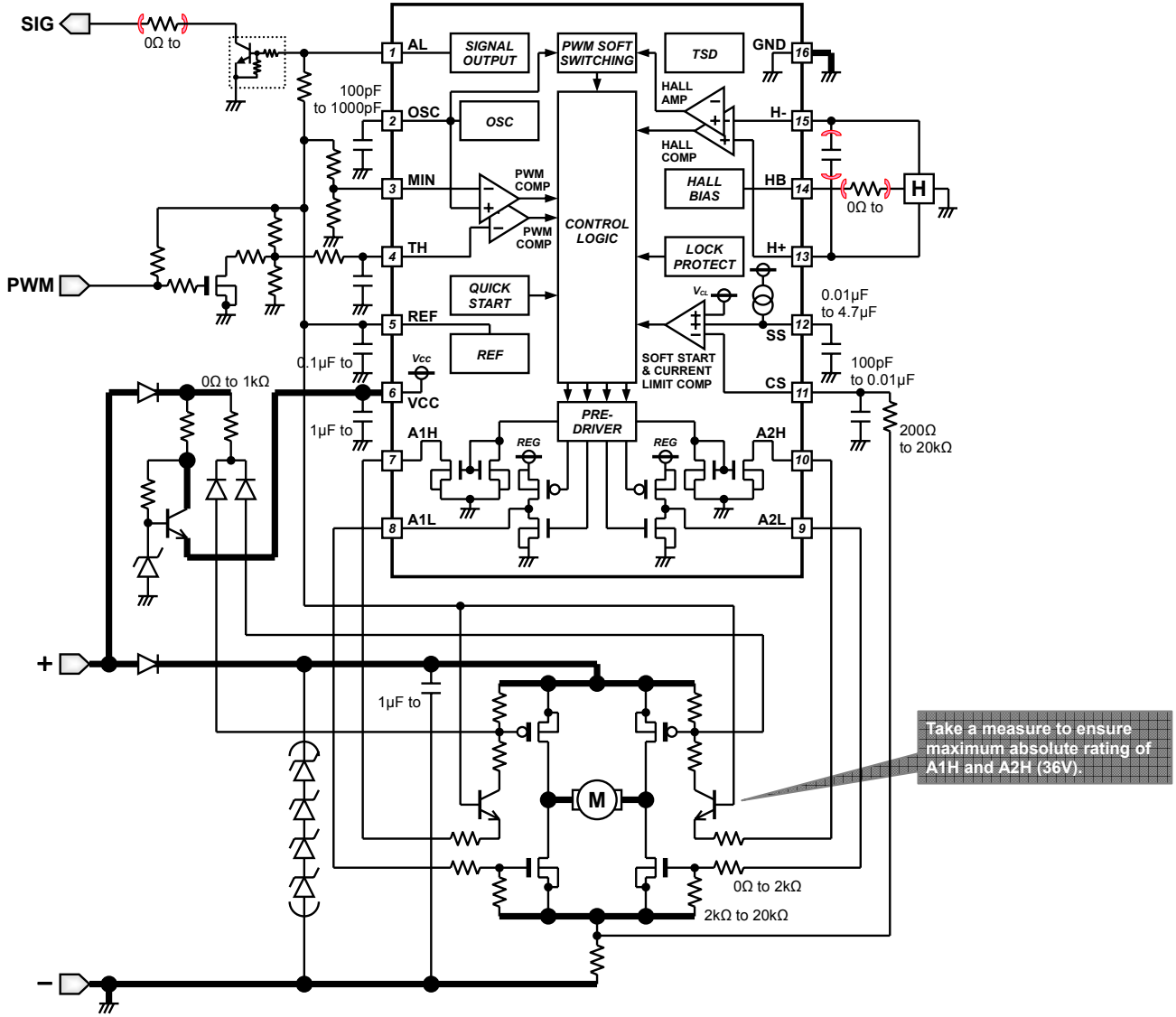


Figure 30. Over 48V power supply application of PWM input

Functional descriptions

1) Variable speed operation

Rotating speed changes by PWM duty on the high side outputs (A1H, A2H terminals). PWM operation enables,

- a) By DC voltage input in TH terminal, and MIN terminal
- b) By pulse input in MIN terminal

a) PWM operation by DC input

As shown in Figure 31, to change high side output ON duty, DC voltage input from TH terminal is compared with triangle wave produced by the OSC circuit. MIN terminal is for setting the minimum rotating speed. ON duty is determined by either TH terminal voltage or MIN terminal voltage, whichever is lower.

OSC voltage > TH voltage (MIN voltage): high side output is ON  
 OSC voltage < TH voltage (MIN voltage): high side output is OFF

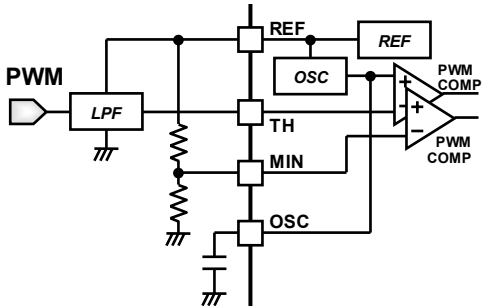


Figure 31. DC input application 1

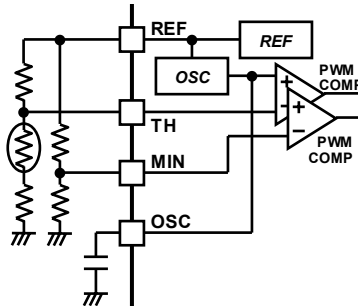


Figure 32. DC input application 2

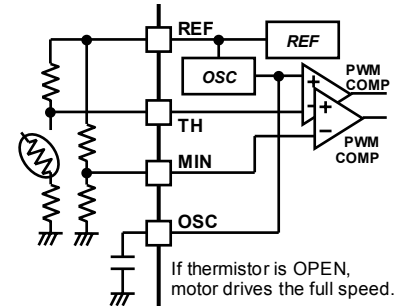


Figure 33. Protection for thermistor coming off

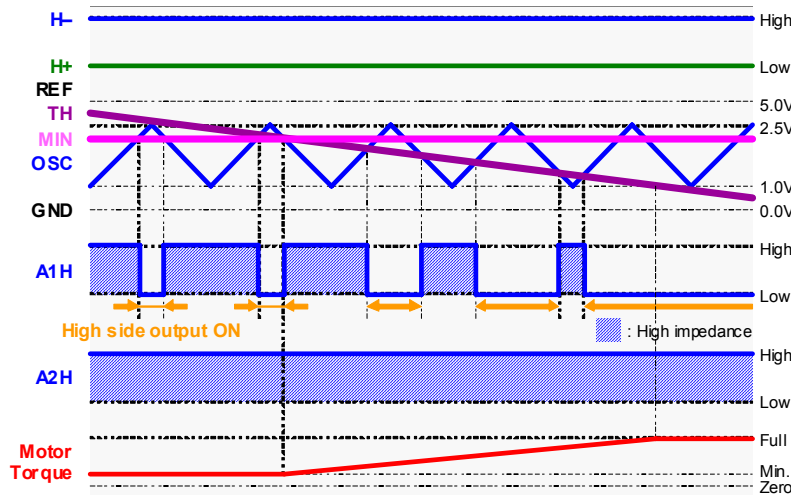


Figure 34. DC input operation timing chart

Dividing resistance of the internal regulator (equal to Typ 5.0V REF terminal) generates OSC high level (Typ 2.5V) and OSC low level (Typ 1.0V) voltage, and the ratio of those voltages is designed to be hard to fluctuate. When the input voltage at TH terminal is constant, effect by fluctuation of OSC H/L voltage is large. However, by setting that an application of REF voltage generates input voltage via TH, application can be made hard to be affected by voltage fluctuation of triangle wave. For an application that requires strict precision, determine a value with sufficient margin after full consideration of external constant is taken.

Protection against thermistor coming off

When the thermistor becomes an opening (the TH voltage is more than the REF voltage) as a protection function in the DC input application that uses the thermistor like Figure 33, it doesn't depend on the MIN voltage and it sets by the maximum rotation speed.

Setting of output oscillating frequency at DC voltage input

Frequency (Fosc) in which the high side outputs are operated PWM by DC voltage input is set according to capacity value (Cosc) of the capacitor connected with OSC terminal.

$$F_{osc}[\text{Hz}] = (|I_{Dosc}[\text{A}] \times I_{Cosc}[\text{A}]|) / \{C_{osc}[\text{F}] \times (|I_{Dosc}[\text{A}]| + |I_{Cosc}[\text{A}]|) \times (V_{OSCH}[\text{V}] - V_{OSCL}[\text{V}])\}$$

(ex.) The frequency when output PWM operates becomes about 28kHz when assuming that Cosc is 470pF.

$$F_{osc}[\text{Hz}] = \{40[\mu\text{A}] \times (-40[\mu\text{A}])\} / \{470[\text{pF}] \times (40[\mu\text{A}] + |-40[\mu\text{A}]) \times (2.5[\text{V}] - 1.0[\text{V}])\}$$

$$= 28369[\text{Hz}]$$



1) Variable speed operation – Continued

The voltage of the terminal becomes irregular as for TH or MIN terminals when opening, and input both voltages to both terminals when you turn on IC power supply (Vcc).

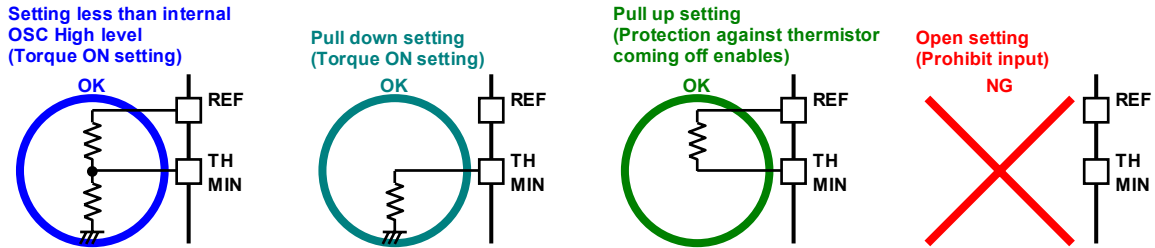


Figure 35. Setting of the variable speed function

b) PWM operation by pulse input

Pulse signal can be input to MIN terminal for PWM operation as shown in Figure 38. The ON duty of the high side output changes by the cycle of the input pulse signal as shown in Figure 38. The TH terminal is set more than OSC high level and less than REF voltage. Set the voltage of MIN terminal as,  
 $REF \geq MIN > OSC$  high level: high side output is OFF  
 $GND \leq MIN < OSC$  low level: high side output is ON

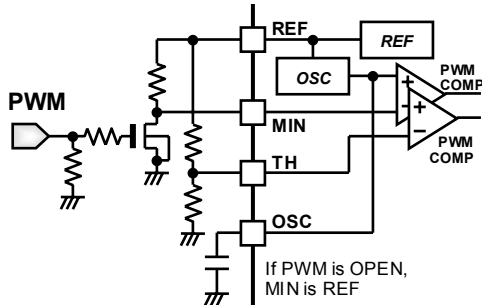


Figure 36. PWM input application 1

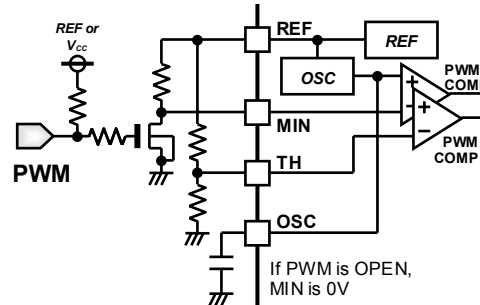


Figure 37. PWM input application 2

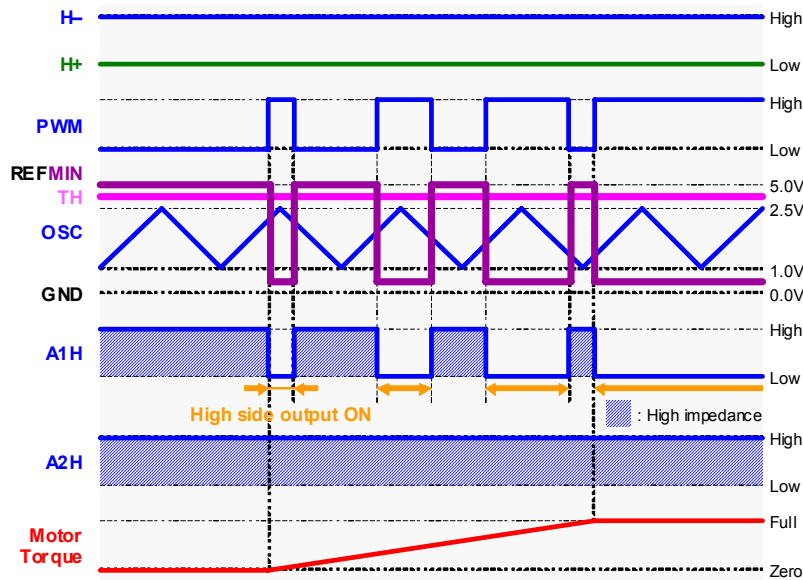


Figure 38. PWM input operation timing chart

2) Current limit

The current limit circuit turns off the output, when the current that flows to the motor coil is detected exceeding a set value. The current value that current limit operates is determined by internal setting voltage and voltage of CS terminal. In Figure 39,  $I_o$  is the current flowed to the motor coil,  $R_{NF}$  is the resistance detected the current, and  $P_R$  is the power consumption of  $R_{NF}$ . When  $R_{NF}=0.1[\Omega]$ , the current limit setting voltage ( $V_{CL}$ ) is 150mV,

$$I_o[A] = V_{CL}[V] / R_{NF}[\Omega] \quad P_R[W] = V_{CL}[V] \times I_o[A]$$

$$= 150[mV] / 0.1[\Omega] \quad = 150[mV] \times 1.5[A]$$

$$= 1.5[A] \quad = 0.225[W]$$

Be shorted CS terminal to GND, when the current limit function is not used.

$R_{CS}$  and  $C_{CS}$  consist of the low-pass filter for smoothing RNF voltage.

Share and assume the ground of  $C_{CS}$  to be the small signal ground line with the GND pin of IC for the malfunction prevention of a current limit. Separate with the motor large current ground line with which  $R_{NF}$  is connected. Soft start capacitor  $C_{SS}$  described later is similar. (Refer to P.10 substrate design note c)

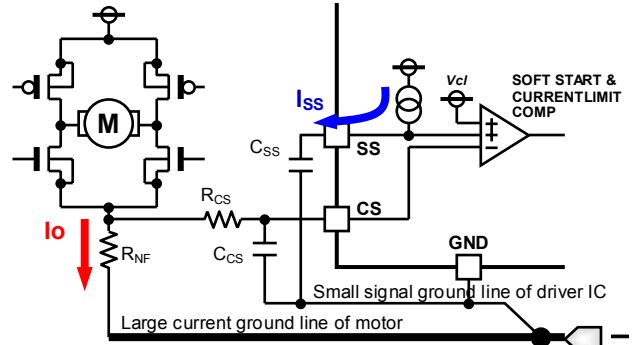


Figure 39. Setting of current limit and ground line

3) Soft start

Soft start is a function to gradually raise a driving torque at the time of motor start. Be effective against reducing undesired sound and inrush current.

The soft start time is set by the charge to the capacitor connected with the terminal SS.

If motor output current ( $I_o$ ) and SS time ( $T_{SS}$ ) are decided, the value of capacitor ( $C_{SS}$ ) that sets a soft start can be calculated by the following expressions because SS charge current ( $I_{SS}$ ) is 120nA.

$$C_{SS}[F] = (I_{SS}[A] \times T_{SS}[s]) / (I_o[A] \times R_{NF}[\Omega])$$

(ex.) When assuming that  $T_{SS} = 0.47[s]$ ,  $I_o = 1.2[A]$ , and  $R_{NF} = 0.1[\Omega]$ ,

$$C_{SS}[F] = (120[nA] \times 0.47[s]) / (1.2[A] \times 0.1[\Omega])$$

$$= 0.47 \times 10^{-6}[F]$$

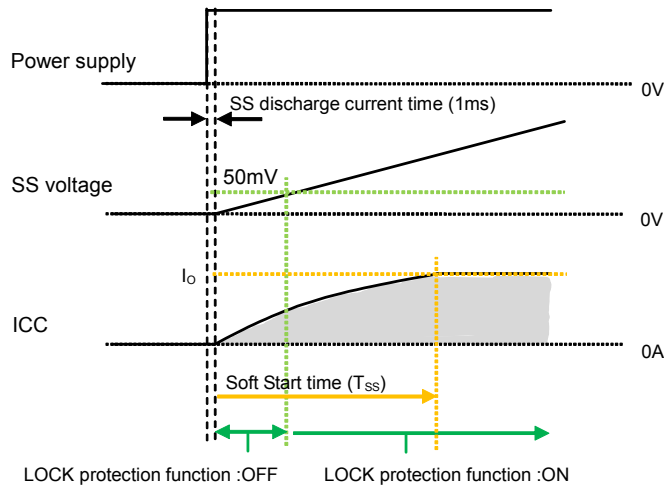


Figure 40. Output current characteristics by the soft start function

When Soft start time is set for a long time, lock protection may be detected without enough motor torque. Therefore, a lock protection function is turned off until SS voltage becomes 50mV (Typ). If it is not used the soft start function, open the SS terminal.

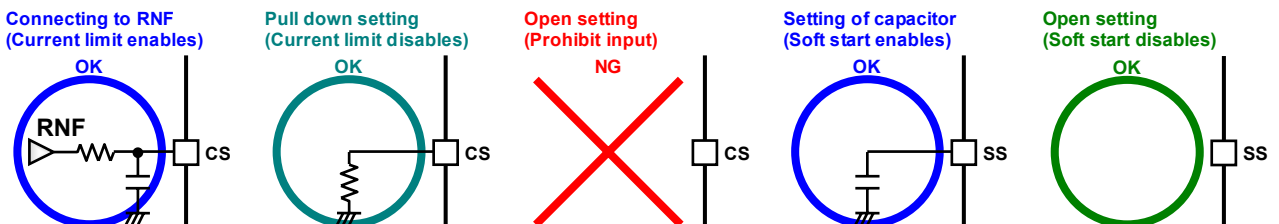


Figure 41. Setting of the current limit and the soft start functions

4) Quick start

When torque off logic is input by the control signal over fixed time (1.0ms), the lock protection function disables. And the motor could restart quickly at the timing of control signal is input.

The lock protection function doesn't work in an input frequency that is slower than 1kHz when assuming high level duty = 100% of the MIN input signal. Input signal frequency is faster than 2kHz.

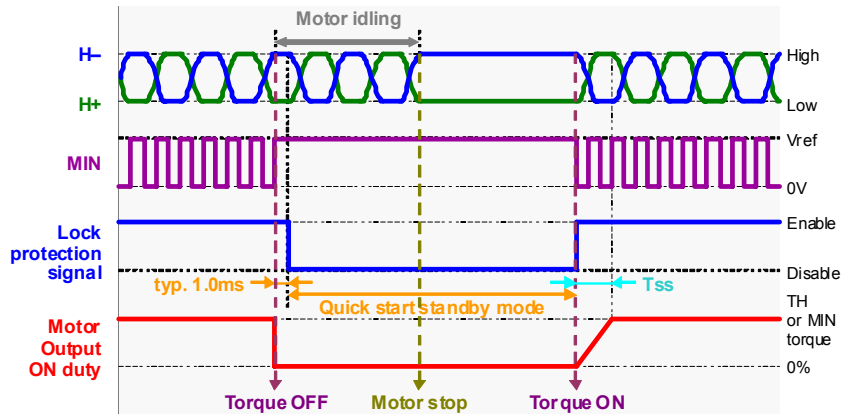


Figure 42. PWM input and quick start timing chart

5) Hall input setting

Hall input voltage range is shown in operating conditions (P.2).

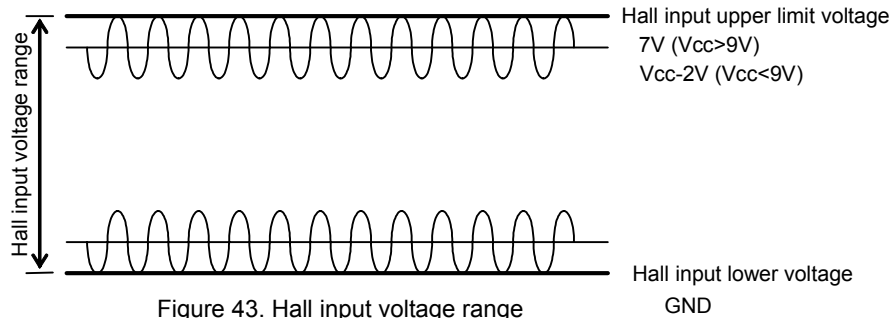


Figure 43. Hall input voltage range

Adjust the value of hall element bias resistor R1 in Figure 44 so that the input voltage of a hall amplifier is input in "Hall Input Voltage" including signal amplitude.

In order to detect rotation of a motor, the amplitude of hall signal more than "Hall Input Hysteresis Voltage" is required. In consideration of PWM soft switching to mention later, input hall signal more than ±100mV at least.

Reducing the noise of hall signal

Vcc noise or the like depending on the wiring pattern of board may affect Hall element. In this case, place a capacitor like C1 in Figure 44. In addition, when wiring from the hall element output to IC hall input is long, noise may be loaded on wiring. In this case, place a capacitor like C2 in Figure 44.

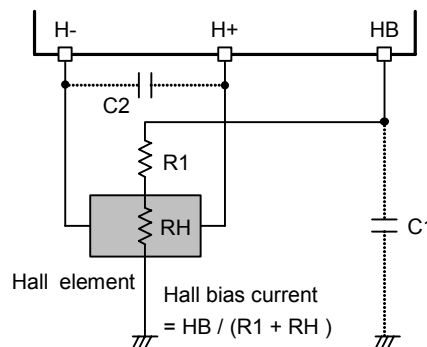


Figure 44. Application near hall signal

6) PWM soft switching

The PWM soft switching section is set to the timing before and after the change of the hall signal. Be effective against reducing undesired sound. Adjusting the amplitude of the hall signal can change the length of the PWM soft switching section. The PWM soft switching section becomes wide if the amplitude of the hall signal is reduced, and the gradient of the output current becomes smooth. However, when a soft switching is applied too much, torque shortage might be caused. Input hall signal more than  $\pm 100\text{mV}$  at least.

The PWM soft switching function operates in the DC input application and the pulse input application.

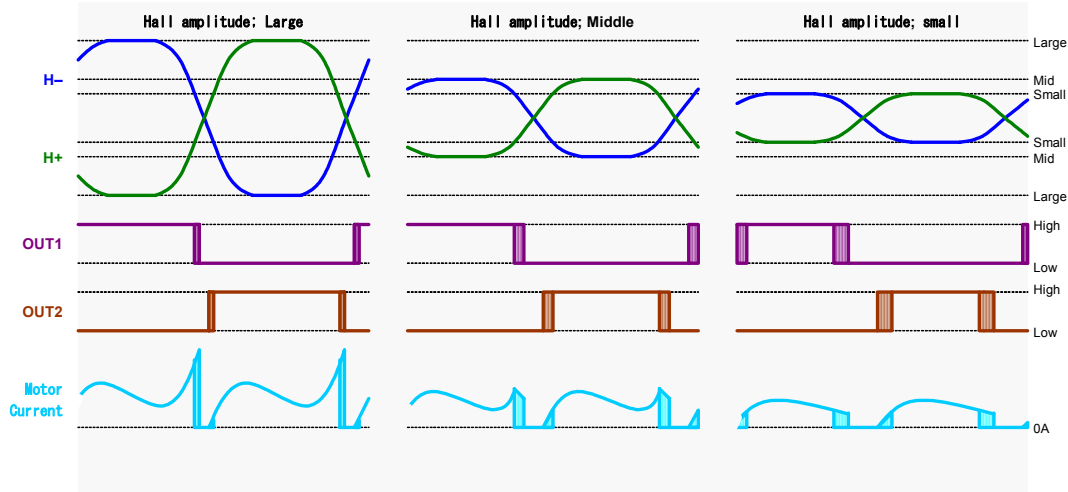


Figure 45. Relation between hall signal amplitude and output wave

7) Lock protection and automatic restart

Motor rotation is detected by hall signal period. IC detects motor rotation is stop when the period becomes longer than the time set up at the internal counter, and IC turns off the output. Lock detection ON time ( $t_{ON}$ ) and lock detection OFF time ( $t_{OFF}$ ) are set by the digital counter based on internal oscillator. Therefore the ratio of ON/OFF time is always constant. Timing chart is shown in Figure 46.

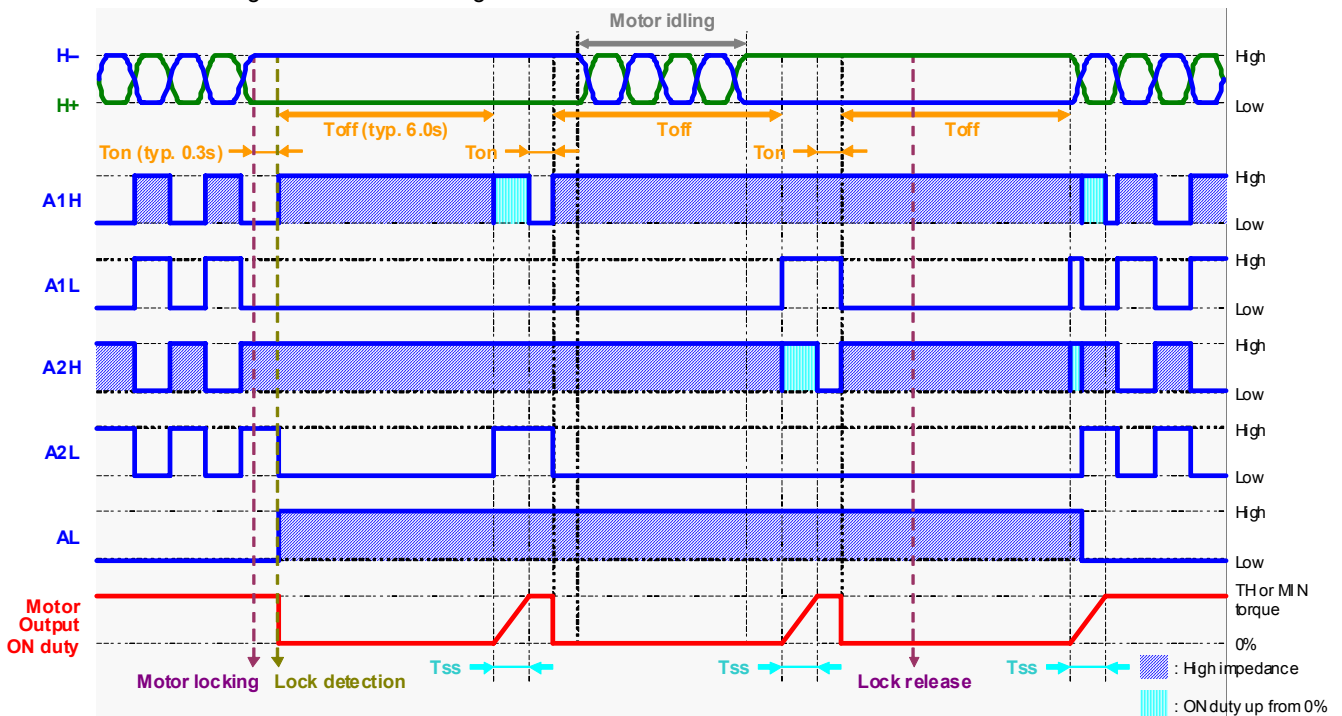


Figure 46. Lock protection (incorporated counter system) timing chart

## 8) The upper side output of pre driver

The upper side output of pre driver is constant current open-drain. In Figure 47, decide the resistance of R1 so that the voltage generated between gate and source of external PMOS transistor may exceed enough the threshold voltage of the transistor.

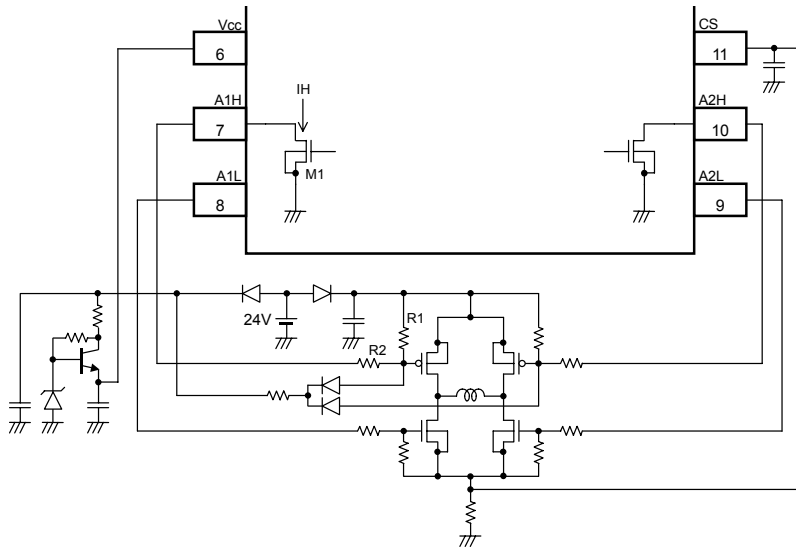


Figure 47. 24V application

(ex.) At  $R1=1k\Omega$ , PMOS transistor gate-source voltage  $V_{GSP}$  can be shown below,

$$\begin{aligned} V_{GSP} &= R1 \times I_H \\ &= 1k\Omega \times 12mA \text{ (Typ)} \\ &= 12V \end{aligned}$$

R2 is used to suppress the power consumption of IC.

At power supply = 24V, the power consumption  $P_{M1}$  of upside output transistor M1 is

$$\begin{aligned} P_{M1} &= \{ VM - (R1 + R2) \times I_H \} \times I_H \\ &= 144mW \text{ (at } R1 = 1k\Omega, R2 = 0\Omega) \\ &= 72mW \text{ (at } R1 = 1k\Omega, R2 = 0.5k\Omega) \end{aligned}$$

Useless power consumption in the upside output is suppressed by appropriately setting R2, and a permissible loss of the package can be used effectively in lower output.

## High voltage application

It is possible to correspond to 24V and 48V power supply by using the application circuit that is set not to exceed the absolute maximum rating of Vcc, A1H to A2L, and AL terminal.

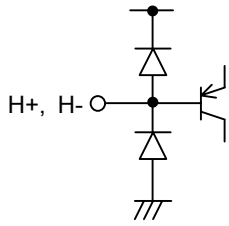
Refer to the application circuit of P14 and P15.

## Absolute maximum rating voltage of pre driver

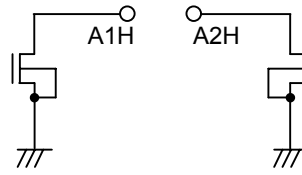
| Power supply | Lower output         | Upper output               | AL output                  |
|--------------|----------------------|----------------------------|----------------------------|
| 20V          | 15V<br>(CMOS output) | 36V<br>(Open drain output) | 20V<br>(Open drain output) |

Equivalent circuit

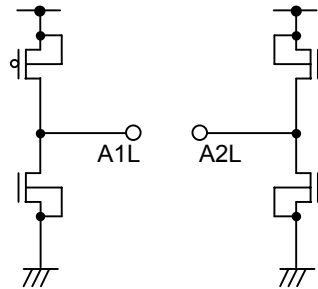
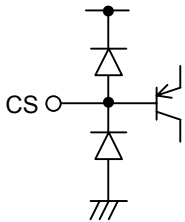
1) Hall input terminal



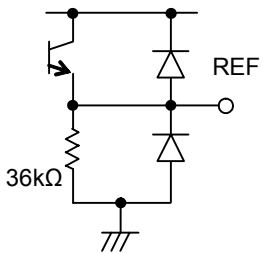
2) High side output 1,2 pins Low side output 1,2 pins



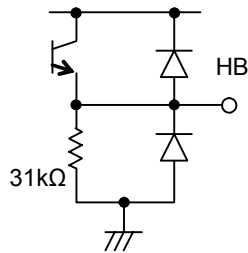
3) Output current detecting terminal



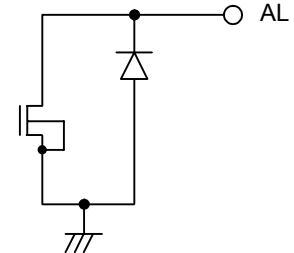
4) Reference voltage terminal



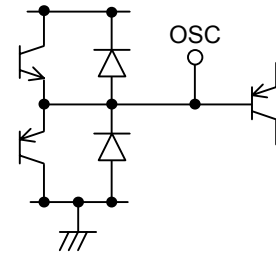
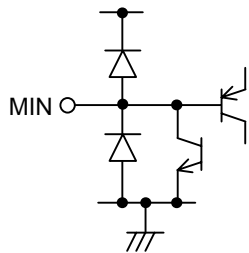
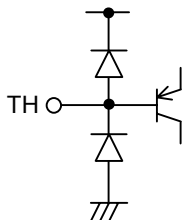
5) Hall bias terminal



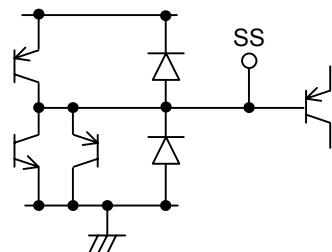
6) AL output terminal



7) Variable amplifier input terminal 8) Minimum rotating speed setting terminal 9) Oscillating capacitor connecting terminal



10) Soft start capacitor-connecting terminal



**Safety Measure**

1) Reverse Connection Protection Diode

Reverse connection of power results in IC destruction as shown in Figure 48. When reverse connection is possible, reverse connection protection diode must be added between power supply and VCC.

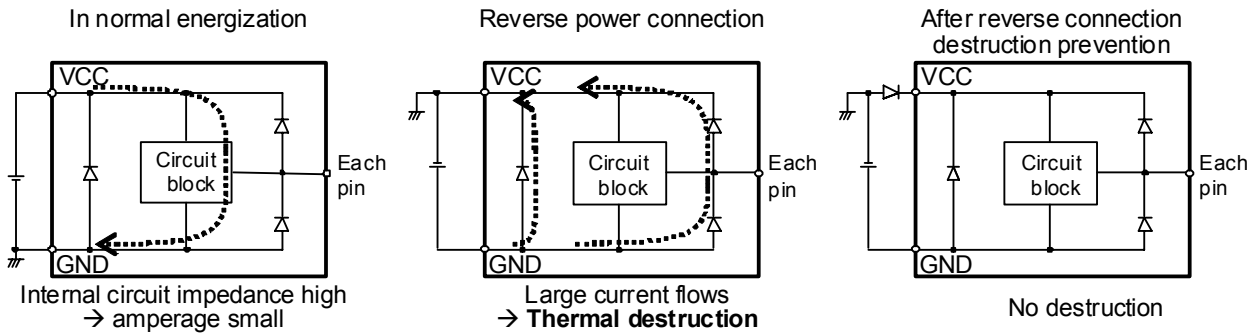


Figure 48. Flow of Current when Power is Connected Reversely

2) Protection against VCC Voltage Rise by Back Electromotive Force

Back EMF generates regenerative current to power supply. However, when reverse connection protection diode is connected, VCC voltage rises because the diode prevents current flow to power supply.

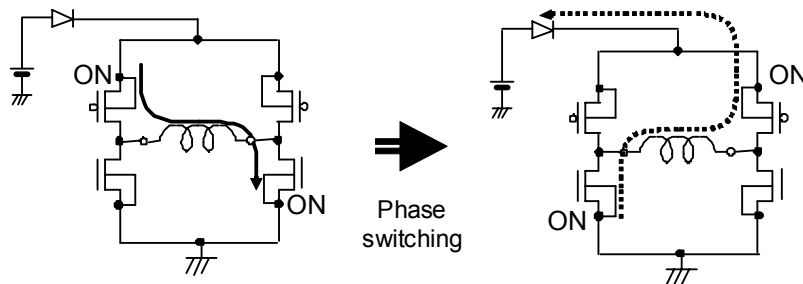


Figure 49. VCC Voltage Rise by Back Electromotive Force

When the absolute maximum rated voltage may be exceeded due to voltage rise by back electromotive force, place (A) Capacitor or (B) Zener diode between VCC and GND. It necessary, add both (C).

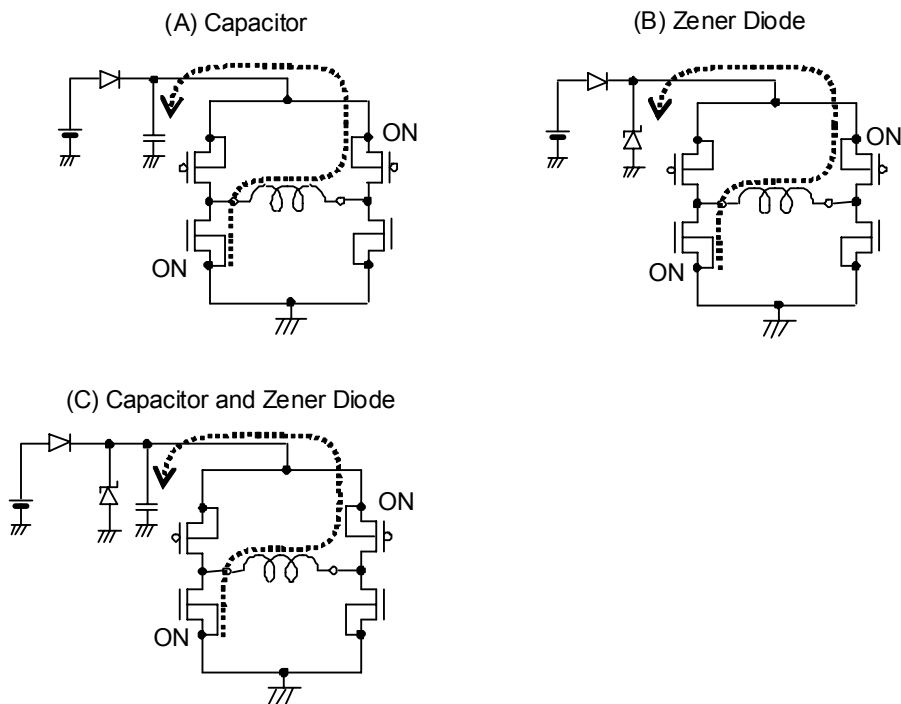


Figure 50. Protection against VCC Voltage Rise

3) Problem of GND Line PWM Switching

Do not perform PWM switching of GND line because GND potential cannot be kept to a minimum.

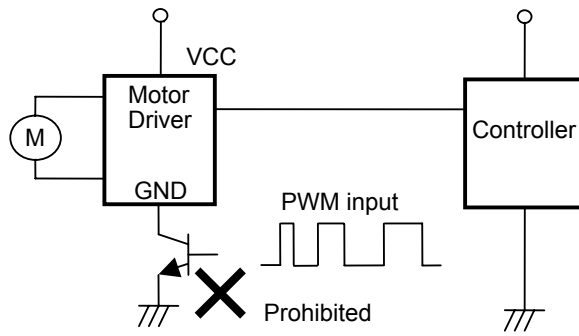


Figure 51. GND Line PWM Switching Prohibited

4) AL Output

AL is an open drain output and requires pull-up resistor. VCC voltage that is beyond its absolute maximum rating when AL pin is directly connected to power supply, could damage the IC. The IC can be protected by adding resistor R1. (as shown in Figure 52)

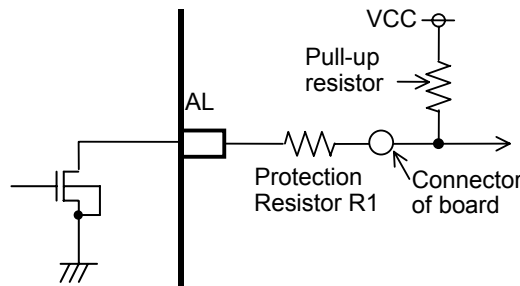
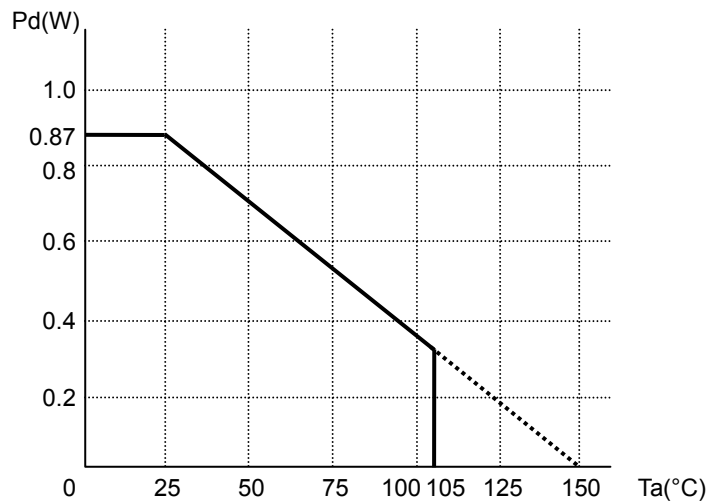


Figure 52. Protection of AL Pin

Thermal Derating Curve

Thermal derating curve indicates power that can be consumed by IC with reference to ambient temperature. Power that can be consumed by IC begins to attenuate at certain ambient temperature. This gradient is determined by thermal resistance  $\theta_{ja}$ .

Thermal resistance  $\theta_{ja}$  depends on chip size, power consumption, package ambient temperature, packaging condition, wind velocity, etc., even when the same package is used. Thermal derating curve indicates a reference value measured at a specified condition. Figure 53 shows a thermal derating curve.



Reduce by 7.0 mW/°C over 25°C.  
(70.0mm x 70.0mm x 1.6mm glass epoxy board)

Figure 53. Thermal Derating Curve



## Operational Notes

### 1. Reverse Connection of Power Supply

Connecting the power supply in reverse polarity can damage the IC. Take precautions against reverse polarity when connecting the power supply, such as mounting an external diode between the power supply and the IC's power supply pins.

### 2. Power Supply Lines

Design the PCB layout pattern to provide low impedance supply lines. Separate the ground and supply lines of the digital and analog blocks to prevent noise in the ground and supply lines of the digital block from affecting the analog block. Furthermore, connect a capacitor to ground at all power supply pins. Consider the effect of temperature and aging on the capacitance value when using electrolytic capacitors.

### 3. Ground Voltage

Ensure that no pins are at a voltage below that of the ground pin at any time, even during transient condition. However, pins that drive inductive loads (e.g. motor driver outputs, DC-DC converter outputs) may inevitably go below ground due to back EMF or electromotive force. In such cases, the user should make sure that such voltages going below ground will not cause the IC and the system to malfunction by examining carefully all relevant factors and conditions such as motor characteristics, supply voltage, operating frequency and PCB wiring to name a few.

### 4. Ground Wiring Pattern

When using both small-signal and large-current ground traces, the two ground traces should be routed separately but connected to a single ground at the reference point of the application board to avoid fluctuations in the small-signal ground caused by large currents. Also ensure that the ground traces of external components do not cause variations on the ground voltage. The ground lines must be as short and thick as possible to reduce line impedance.

### 5. Thermal Consideration

Should by any chance the power dissipation rating be exceeded the rise in temperature of the chip may result in deterioration of the properties of the chip. The absolute maximum rating of the Pd stated in this specification is when the IC is mounted on a 70mm x 70mm x 1.6mm glass epoxy board. In case of exceeding this absolute maximum rating, increase the board size and copper area to prevent exceeding the Pd rating.

### 6. Recommended Operating Conditions

These conditions represent a range within which the expected characteristics of the IC can be approximately obtained. The electrical characteristics are guaranteed under the conditions of each parameter.

### 7. Inrush Current

When power is first supplied to the IC, it is possible that the internal logic may be unstable and inrush current may flow instantaneously due to the internal powering sequence and delays, especially if the IC has more than one power supply. Therefore, give special consideration to power coupling capacitance, power wiring, width of ground wiring, and routing of connections.

### 8. Operation Under Strong Electromagnetic Field

Operating the IC in the presence of a strong electromagnetic field may cause the IC to malfunction.

### 9. Testing on Application Boards

When testing the IC on an application board, connecting a capacitor directly to a low-impedance output pin may subject the IC to stress. Always discharge capacitors completely after each process or step. The IC's power supply should always be turned off completely before connecting or removing it from the test setup during the inspection process. To prevent damage from static discharge, ground the IC during assembly and use similar precautions during transport and storage.

### 10. Inter-pin Short and Mounting Errors

Ensure that the direction and position are correct when mounting the IC on the PCB. Incorrect mounting may result in damaging the IC. Avoid nearby pins being shorted to each other especially to ground, power supply and output pin. Inter-pin shorts could be due to many reasons such as metal particles, water droplets (in very humid environment) and unintentional solder bridge deposited in between pins during assembly to name a few.

## Operational Notes – continued

**11. Unused Input Pins**

Input pins of an IC are often connected to the gate of a MOS transistor. The gate has extremely high impedance and extremely low capacitance. If left unconnected, the electric field from the outside can easily charge it. The small charge acquired in this way is enough to produce a significant effect on the conduction through the transistor and cause unexpected operation of the IC. So unless otherwise specified, unused input pins should be connected to the power supply or ground line.

**12. Regarding the Input Pin of the IC**

This monolithic IC contains P+ isolation and P substrate layers between adjacent elements in order to keep them isolated. P-N junctions are formed at the intersection of the P layers with the N layers of other elements, creating a parasitic diode or transistor. For example (refer to figure below):

When  $GND > Pin A$  and  $GND > Pin B$ , the P-N junction operates as a parasitic diode.  
When  $GND > Pin B$ , the P-N junction operates as a parasitic transistor.

Parasitic diodes inevitably occur in the structure of the IC. The operation of parasitic diodes can result in mutual interference among circuits, operational faults, or physical damage. Therefore, conditions that cause these diodes to operate, such as applying a voltage lower than the GND voltage to an input pin (and thus to the P substrate) should be avoided.

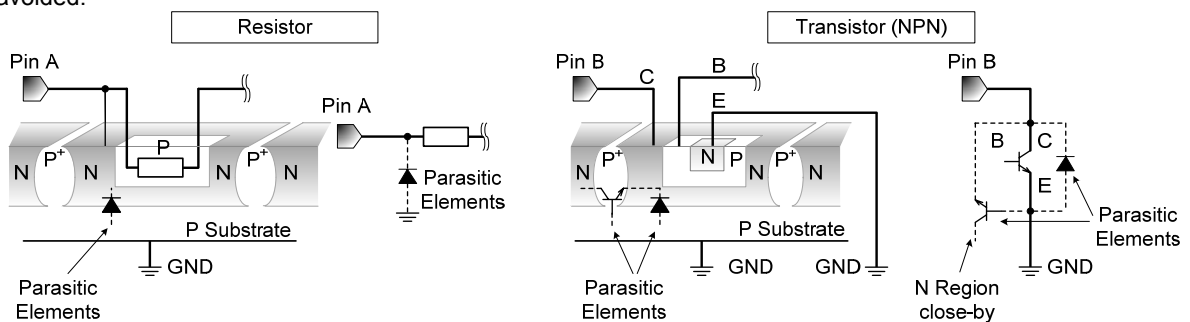


Figure 54. Example of monolithic IC structure

**13. Ceramic Capacitor**

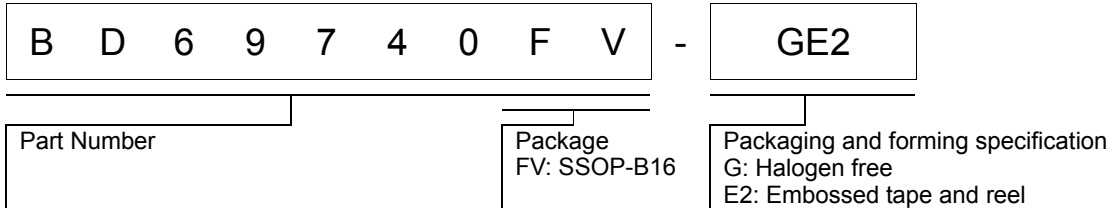
When using a ceramic capacitor, determine the dielectric constant considering the change of capacitance with temperature and the decrease in nominal capacitance due to DC bias and others.

**14. Thermal Shutdown Circuit(TSD)**

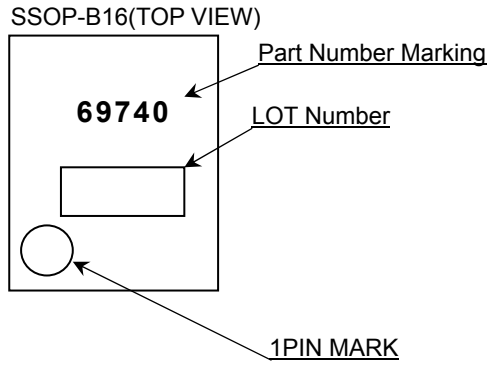
This IC has a built-in thermal shutdown circuit that prevents heat damage to the IC. Normal operation should always be within the IC's power dissipation rating. If however the rating is exceeded for a continued period, the junction temperature ( $T_j$ ) will rise which will activate the TSD circuit that will turn OFF all output pins. When the  $T_j$  falls below the TSD threshold, the circuits are automatically restored to normal operation.

Note that the TSD circuit operates in a situation that exceeds the absolute maximum ratings and therefore, under no circumstances, should the TSD circuit be used in a set design or for any purpose other than protecting the IC from heat damage.

Ordering Information

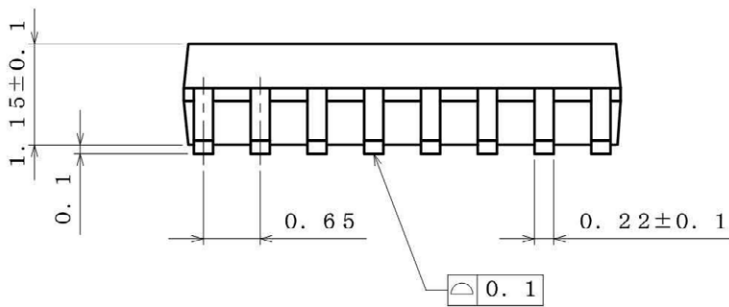
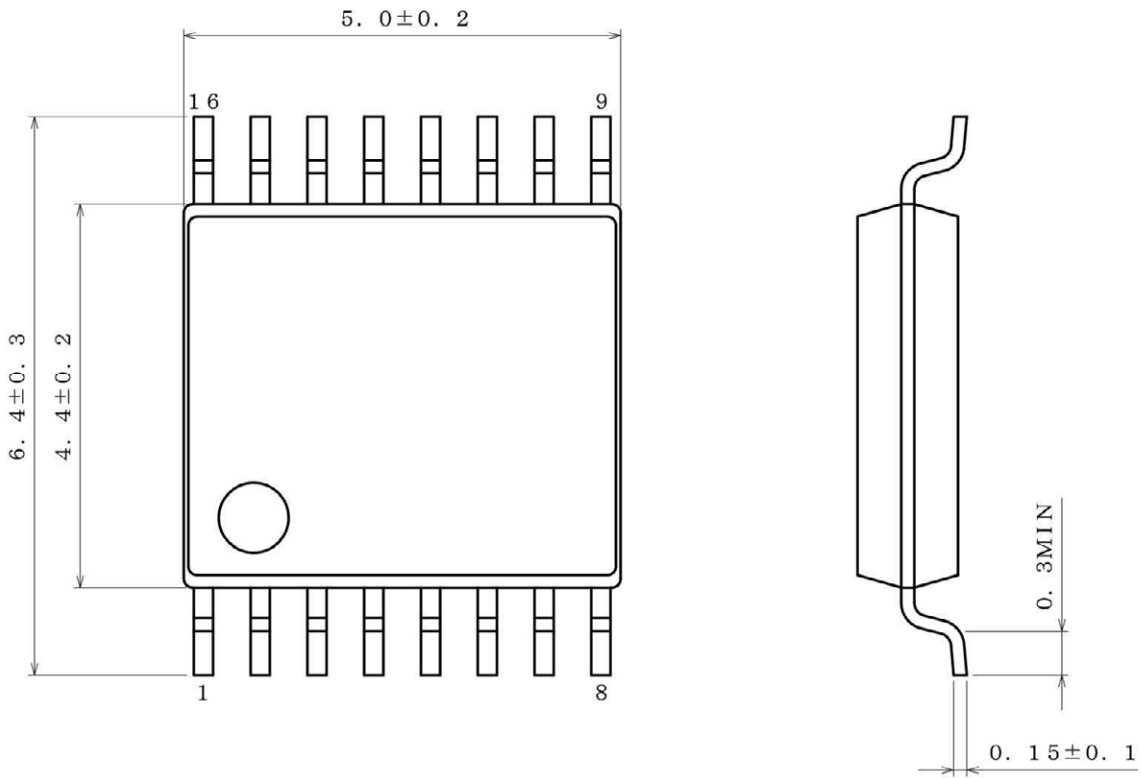


Marking Diagrams

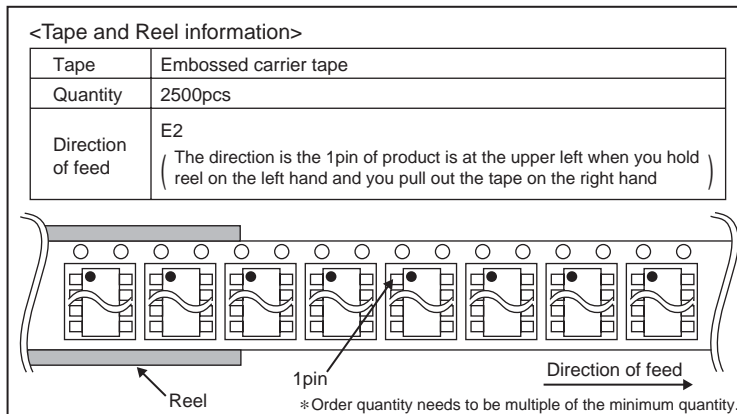


Physical Dimension, Tape and Reel Information

|              |          |
|--------------|----------|
| Package Name | SSOP-B16 |
|--------------|----------|



(UNIT : mm)  
 PKG : SSOP-B16  
 Drawing No. B0771



# Notice

## Precaution on using ROHM Products

- Our Products are designed and manufactured for application in ordinary electronic equipments (such as AV equipment, OA equipment, telecommunication equipment, home electronic appliances, amusement equipment, etc.). If you intend to use our Products in devices requiring extremely high reliability (such as medical equipment <sup>(Note 1)</sup>, transport equipment, traffic equipment, aircraft/spacecraft, nuclear power controllers, fuel controllers, car equipment including car accessories, safety devices, etc.) and whose malfunction or failure may cause loss of human life, bodily injury or serious damage to property ("Specific Applications"), please consult with the ROHM sales representative in advance. Unless otherwise agreed in writing by ROHM in advance, ROHM shall not be in any way responsible or liable for any damages, expenses or losses incurred by you or third parties arising from the use of any ROHM's Products for Specific Applications.

(Note1) Medical Equipment Classification of the Specific Applications

| JAPAN     | USA       | EU         | CHINA     |
|-----------|-----------|------------|-----------|
| CLASS III | CLASS III | CLASS II b | CLASS III |
| CLASS IV  |           | CLASS III  |           |

- ROHM designs and manufactures its Products subject to strict quality control system. However, semiconductor products can fail or malfunction at a certain rate. Please be sure to implement, at your own responsibilities, adequate safety measures including but not limited to fail-safe design against the physical injury, damage to any property, which a failure or malfunction of our Products may cause. The following are examples of safety measures:
  - Installation of protection circuits or other protective devices to improve system safety
  - Installation of redundant circuits to reduce the impact of single or multiple circuit failure
- Our Products are designed and manufactured for use under standard conditions and not under any special or extraordinary environments or conditions, as exemplified below. Accordingly, ROHM shall not be in any way responsible or liable for any damages, expenses or losses arising from the use of any ROHM's Products under any special or extraordinary environments or conditions. If you intend to use our Products under any special or extraordinary environments or conditions (as exemplified below), your independent verification and confirmation of product performance, reliability, etc. prior to use, must be necessary:
  - Use of our Products in any types of liquid, including water, oils, chemicals, and organic solvents
  - Use of our Products outdoors or in places where the Products are exposed to direct sunlight or dust
  - Use of our Products in places where the Products are exposed to sea wind or corrosive gases, including Cl<sub>2</sub>, H<sub>2</sub>S, NH<sub>3</sub>, SO<sub>2</sub>, and NO<sub>2</sub>
  - Use of our Products in places where the Products are exposed to static electricity or electromagnetic waves
  - Use of our Products in proximity to heat-producing components, plastic cords, or other flammable items
  - Sealing or coating our Products with resin or other coating materials
  - Use of our Products without cleaning residue of flux (even if you use no-clean type fluxes, cleaning residue of flux is recommended); or Washing our Products by using water or water-soluble cleaning agents for cleaning residue after soldering
  - Use of the Products in places subject to dew condensation
- The Products are not subject to radiation-proof design.
- Please verify and confirm characteristics of the final or mounted products in using the Products.
- In particular, if a transient load (a large amount of load applied in a short period of time, such as pulse. is applied, confirmation of performance characteristics after on-board mounting is strongly recommended. Avoid applying power exceeding normal rated power; exceeding the power rating under steady-state loading condition may negatively affect product performance and reliability.
- De-rate Power Dissipation (Pd) depending on Ambient temperature (Ta). When used in sealed area, confirm the actual ambient temperature.
- Confirm that operation temperature is within the specified range described in the product specification.
- ROHM shall not be in any way responsible or liable for failure induced under deviant condition from what is defined in this document.

## Precaution for Mounting / Circuit board design

- When a highly active halogenous (chlorine, bromine, etc.) flux is used, the residue of flux may negatively affect product performance and reliability.
- In principle, the reflow soldering method must be used on a surface-mount products, the flow soldering method must be used on a through hole mount products. If the flow soldering method is preferred on a surface-mount products, please consult with the ROHM representative in advance.

For details, please refer to ROHM Mounting specification

**Precautions Regarding Application Examples and External Circuits**

1. If change is made to the constant of an external circuit, please allow a sufficient margin considering variations of the characteristics of the Products and external components, including transient characteristics, as well as static characteristics.
2. You agree that application notes, reference designs, and associated data and information contained in this document are presented only as guidance for Products use. Therefore, in case you use such information, you are solely responsible for it and you must exercise your own independent verification and judgment in the use of such information contained in this document. ROHM shall not be in any way responsible or liable for any damages, expenses or losses incurred by you or third parties arising from the use of such information.

**Precaution for Electrostatic**

This Product is electrostatic sensitive product, which may be damaged due to electrostatic discharge. Please take proper caution in your manufacturing process and storage so that voltage exceeding the Products maximum rating will not be applied to Products. Please take special care under dry condition (e.g. Grounding of human body / equipment / solder iron, isolation from charged objects, setting of Ionizer, friction prevention and temperature / humidity control).

**Precaution for Storage / Transportation**

1. Product performance and soldered connections may deteriorate if the Products are stored in the places where:
  - [a] the Products are exposed to sea winds or corrosive gases, including Cl<sub>2</sub>, H<sub>2</sub>S, NH<sub>3</sub>, SO<sub>2</sub>, and NO<sub>2</sub>
  - [b] the temperature or humidity exceeds those recommended by ROHM
  - [c] the Products are exposed to direct sunshine or condensation
  - [d] the Products are exposed to high Electrostatic
2. Even under ROHM recommended storage condition, solderability of products out of recommended storage time period may be degraded. It is strongly recommended to confirm solderability before using Products of which storage time is exceeding the recommended storage time period.
3. Store / transport cartons in the correct direction, which is indicated on a carton with a symbol. Otherwise bent leads may occur due to excessive stress applied when dropping of a carton.
4. Use Products within the specified time after opening a humidity barrier bag. Baking is required before using Products of which storage time is exceeding the recommended storage time period.

**Precaution for Product Label**

QR code printed on ROHM Products label is for ROHM's internal use only.

**Precaution for Disposition**

When disposing Products please dispose them properly using an authorized industry waste company.

**Precaution for Foreign Exchange and Foreign Trade act**

Since concerned goods might be fallen under listed items of export control prescribed by Foreign exchange and Foreign trade act, please consult with ROHM in case of export.

**Precaution Regarding Intellectual Property Rights**

1. All information and data including but not limited to application example contained in this document is for reference only. ROHM does not warrant that foregoing information or data will not infringe any intellectual property rights or any other rights of any third party regarding such information or data.
2. ROHM shall not have any obligations where the claims, actions or demands arising from the combination of the Products with other articles such as components, circuits, systems or external equipment (including software).
3. No license, expressly or implied, is granted hereby under any intellectual property rights or other rights of ROHM or any third parties with respect to the Products or the information contained in this document. Provided, however, that ROHM will not assert its intellectual property rights or other rights against you or your customers to the extent necessary to manufacture or sell products containing the Products, subject to the terms and conditions herein.

**Other Precaution**

1. This document may not be reprinted or reproduced, in whole or in part, without prior written consent of ROHM.
2. The Products may not be disassembled, converted, modified, reproduced or otherwise changed without prior written consent of ROHM.
3. In no event shall you use in any way whatsoever the Products and the related technical information contained in the Products or this document for any military purposes, including but not limited to, the development of mass-destruction weapons.
4. The proper names of companies or products described in this document are trademarks or registered trademarks of ROHM, its affiliated companies or third parties.



## BD69740FV - Web Page

[Distribution Inventory](#)

|                             |           |
|-----------------------------|-----------|
| Part Number                 | BD69740FV |
| Package                     | SSOP-B16  |
| Unit Quantity               | 2500      |
| Minimum Package Quantity    | 2500      |
| Packing Type                | Taping    |
| Constitution Materials List | inquiry   |
| RoHS                        | Yes       |