

Power Management Integrated Circuit

BD71837AMWV

General Description

- BD71837AMWV is a programmable Power Management IC (PMIC) for powering single-core, dual-core, and quad-core SoC's such as NXP-i.MX 8M. It is optimized for low BOM cost and compact solution footprint. It integrates 8 Buck regulators and 7 LDO's to provide all the power rails required by the SoC and the commonly used peripherals.
- QFN package and pinout support low cost Type 3 (non-HDI) PCB. Programmable power sequencing and output voltages, flexible power state control for easier system design and supports a wide variety of processors and system implementations.

Features

- 8 Buck Regulators
 - 2.0 MHz Switching Frequency. (BUCK1, BUCK2, BUCK3, BUCK4, BUCK5, BUCK7, and BUCK8).
 - 1.5MHz Switching Frequency. (BUCK6)
 - Target Efficiency: 83% to 95%.
 - Output Current & Voltage.
 - BUCK1: 3.6 A, 0.7 V to 1.3 V/10 mV step, DVS
 - BUCK2: 4.0 A, 0.7 V to 1.3 V/10 mV step, DVS
 - BUCK3: 2.1 A, 0.7 V to 1.3 V/10 mV step, DVS
 - BUCK4: 1.0 A, 0.7 V to 1.3 V/10 mV step, DVS
 - BUCK5: 2.5 A, 0.70 V to 1.35 V/8steps
 - BUCK6: 3.0 A, 3.0 V to 3.3 V/100 mV step
 - BUCK7: 1.5 A, 1.605 V to 1.995 V/8steps
 - BUCK8: 3.0 A, 0.8 V to 1.4 V/10 mV step
- 7ch Linear Regulators(7 LDOs)
 - LDO1: 10 mA, 3.0 V to 3.3 V, 1.6 V to 1.9 V
 - LDO2: 10 mA, 0.9 V, 0.8 V
 - LDO3: 300 mA, 1.8 V to 3.3 V
 - LDO4: 250 mA, 0.9 V to 1.8 V
 - LDO5: 300 mA, 1.8 V to 3.3 V
 - LDO6: 300 mA, 0.9 V to 1.8 V
 - LDO7: 150 mA, 1.8 V to 3.3 V
- Power Mux Switch
 - 1.8V Input: 200 mΩ(Max)
 - 3.3V Input: 280 mΩ(Max)
- 32.768 kHz Crystal Oscillator Driver
- Power Button Detector
- Protection and Monitoring: Soft Start, Power Rails Fault Detection, UVLO, OVP and TSD
- OTP Configurable Power Sequencing
- OTP and Software Programmable Output Voltage, Ramp rates.
- Hardware Signaling with SoC for Transition into or out of Low Power States
- Interfaces:
 - I2C: 100 kHz/400 kHz, 1 MHz
 - Power-on Reset Output: POR_B, RTC_RESET_B,
 - Watchdog Reset Input: WDOG_B:
 - Power State Control:
 - PMIC_STBY_REQ, PMIC_ON_REQ, PWRON_B
 - Interrupt to SoC: IRQ_B
- Type3 PCB Applicable

Key Specifications

- Input Voltage Range (VSYS): 2.7 V to 5.5 V
- SNVS State Current: 30 μA(Typ)
- SUSPEND State Current: 137 μA(Typ)
- IDLE State Current: 167 μA(Typ)
- RUN State Current: 197 μA(Typ)
- Operating Temperature Range: -40 °C to +105 °C

Applications

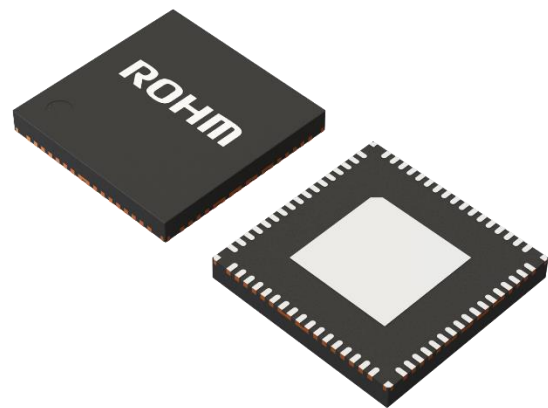
- Streaming Media Boxes and Dongles
- AV Receivers and Wireless Sound Bars
- Industrial HMI, SBC, IPC and Panel Computer

Package

UQFN68CV8080

W(Typ) x D(Typ) x H(Max)

8.00mm x 8.00mm x 1.00mm



○Product structure : Silicon integrated circuit. ○This product has no designed protection against radioactive rays

Contents

1.	Introduction.....	7
1.1.	Terminology.....	7
1.2.	System Power Map & Typical Application Circuit.....	8
1.3.	Pin Configuration.....	10
1.4.	Pin Description.....	11
1.5.	I/O Equivalence Circuit.....	12
1.6.	Power Rail.....	14
1.7.	Register Map.....	15
1.8.	ESD.....	17
2.	Operating Conditions.....	18
2.1.	Absolute Maximum Ratings (Ta=25 °C).....	18
2.2.	Thermal Resistance.....	18
2.3.	Recommended Operating Conditions.....	19
2.4.	Current Consumption.....	19
2.5.	Power Reference and Detectors (UVLO).....	20
3.	Power State Control.....	21
3.1.	Power Control Signals.....	21
3.1.1.	PWRON_B.....	22
3.1.2.	PMIC_ON_REQ.....	22
3.1.3.	PMIC_STBY_REQ.....	22
3.1.4.	WDOG_B.....	22
3.1.5.	RTC_RESET_B.....	23
3.1.6.	POR_B.....	23
3.2.	Power States.....	24
3.2.1.	Power State Diagram.....	24
3.2.2.	Power State Register.....	25
3.2.3.	Power State Definition.....	27
3.2.4.	Power State Control Events.....	28
3.2.4.1.	Reset Event.....	28
3.2.4.2.	Emergency Shutdown Event.....	30
3.2.5.	Power State Transitions.....	30
3.2.5.1.	OFF to READY.....	30
3.2.5.2.	READY to SNVS.....	31
3.2.5.3.	SNVS to RUN.....	34
3.2.5.4.	RUN to IDLE.....	36
3.2.5.5.	IDLE to RUN.....	36
3.2.5.6.	RUN to SUSPEND.....	36
3.2.5.7.	SUSPEND to RUN.....	36
3.2.5.8.	IDLE to SUSPEND.....	37
3.2.5.9.	Emergency Shutdown.....	37
3.2.5.10.	VR Fault.....	38
3.2.5.11.	EMG to OFF.....	42
3.2.5.12.	EMG to READY.....	43
3.2.5.13.	EMG_STAY Condition.....	44
3.2.5.14.	Warm Reset.....	44
3.2.5.15.	PWROFF.....	45
3.2.5.16.	PWROFF to READY.....	47
3.2.5.17.	PWROFF to SNVS.....	47
3.2.5.18.	PWRON_B Functionality.....	47
3.3.	Power Sequence.....	49
3.3.1.	Power ON Sequence.....	49
3.3.2.	Power OFF Sequence.....	51
3.3.3.	RUN to IDLE.....	55
3.3.4.	IDLE to RUN.....	56
3.3.5.	RUN to SUSPEND.....	57
3.3.6.	SUSPEND to RUN.....	58
3.3.7.	IDLE to SUSPEND.....	59
3.3.8.	Emergency Shutdown.....	60
3.3.9.	Warm Reset.....	61
3.3.10.	Reset Source Indicators.....	62
4.	I2C and Interrupt.....	63
4.1.	I2C Bus Interface.....	63
4.1.1.	I2C Bus Interface Overview.....	63
4.1.2.	I2C Bus Interface Electrical Characteristics.....	64
4.1.3.	Device Addressing.....	66
4.1.4.	Write / Read Operation.....	67
4.2.	Interrupt.....	68
4.2.1.	Interrupt Overview.....	68
5.	Power Rails.....	71

5.1.	Output Voltage Range	71
5.2.	Details of Buck	73
5.2.1.	BUCK1	73
5.2.1.1.	BUCK1 Block Diagram	73
5.2.1.2.	BUCK1 Electrical Characteristics	74
5.2.1.3.	BUCK1 Control	75
5.2.2.	BUCK2	77
5.2.2.1.	BUCK2 Block Diagram	77
5.2.2.2.	BUCK2 Electrical Characteristics	78
5.2.2.3.	BUCK2 Control	79
5.2.3.	BUCK3	81
5.2.3.1.	BUCK3 Block Diagram	81
5.2.3.2.	BUCK3 Electrical Characteristics	82
5.2.3.3.	BUCK3 Control	83
5.2.4.	BUCK4	84
5.2.4.1.	BUCK4 Block Diagram	84
5.2.4.2.	BUCK4 Electrical Characteristics	85
5.2.4.3.	BUCK4 Control	86
5.2.5.	BUCK5	87
5.2.5.1.	BUCK5 Block Diagram	87
5.2.5.2.	BUCK5 Electrical Characteristics	88
5.2.5.3.	BUCK5 Control	89
5.2.6.	BUCK6	90
5.2.6.1.	BUCK6 Block Diagram	90
5.2.6.2.	BUCK6 Electrical Characteristics	91
5.2.6.3.	BUCK6 Control	92
5.2.7.	BUCK7	93
5.2.7.1.	BUCK7 Block Diagram	93
5.2.7.2.	BUCK7 Electrical Characteristics	94
5.2.7.3.	BUCK7 Control	95
5.2.8.	BUCK8	96
5.2.8.1.	BUCK8 Block Diagram	96
5.2.8.2.	BUCK8 Electrical Characteristics	97
5.2.8.3.	BUCK8 Control	98
5.3.	Details of LDO	99
5.3.1.	LDO1	99
5.3.1.1.	LDO1 Block Diagram	99
5.3.1.2.	LDO1 Electrical Characteristics	100
5.3.1.3.	LDO1 Control	101
5.3.2.	LDO2	102
5.3.2.1.	LDO2 Block Diagram	102
5.3.2.2.	LDO2 Electrical Characteristics	103
5.3.2.3.	LDO2 Control	103
5.3.3.	LDO3	104
5.3.3.1.	LDO3 Block Diagram	104
5.3.3.2.	LDO3 Electrical Characteristics	105
5.3.3.3.	LDO3 Control	106
5.3.4.	LDO4	107
5.3.4.1.	LDO4 Block Diagram	107
5.3.4.2.	LDO4 Electrical Characteristics	108
5.3.4.3.	LDO4 Control	109
5.3.5.	LDO5	110
5.3.5.1.	LDO5 Block Diagram	110
5.3.5.2.	LDO5 Electrical Characteristics	111
5.3.5.3.	LDO5 Control	112
5.3.6.	LDO6	113
5.3.6.1.	LDO6 Block Diagram	113
5.3.6.2.	LDO6 Electrical Characteristics	114
5.3.6.3.	LDO6 Control	115
5.3.7.	LDO7	116
5.3.7.1.	LDO7 Block Diagram	116
5.3.7.2.	LDO7 Electrical Characteristics	117
5.3.7.3.	LDO7 Control	118
5.4.	MUXSW	119
5.4.1.	MUXSW Block Diagram	119
5.4.2.	MUXSW Electrical Characteristics	120
6.	32.768 kHz Crystal Oscillator Driver	121
6.1.	32.768 kHz Crystal Oscillator Driver Block Diagram	121
6.2.	32.768 kHz Crystal Oscillator Driver Electrical Characteristics	121
7.	Operational Notes	122

8.	Ordering Information.....	124
9.	Marking Diagram.....	124
10.	Physical Dimension and Packing Information.....	125
11.	Revision History.....	126

Figure

Figure 1-1.	System Power Map.....	8
Figure 1-2.	Typical Applications Circuit.....	9
Figure 1-3.	Pin Configuration (TOP VIEW).....	10
Figure 1-4.	I/O Equivalence Circuit 1.....	12
Figure 1-5.	I/O Equivalence Circuit 2.....	13
Figure 2-1.	Power Reference and Detectors Block Diagram.....	20
Figure 3-1.	Power Control Signals of BD71837AMWV.....	21
Figure 3-2.	Power State Transition.....	24
Figure 3-3.	Power Sub State Definition.....	26
Figure 3-4.	VSYS Condition for moving to SNVS.....	31
Figure 3-5.	PMIC_ON_REQ Condition for moving to SNVS.....	31
Figure 3-6.	PWRON_B Short Push Condition for moving to SNVS.....	32
Figure 3-7.	PWRON_B Long Push Condition for moving to SNVS.....	32
Figure 3-8.	Cold Reset Condition for moving to SNVS.....	32
Figure 3-9.	VSYS Condition for moving to RUN.....	34
Figure 3-10.	PMIC_ON_REQ Condition for moving to RUN.....	34
Figure 3-11.	PWRON_B Short Push Condition for moving to RUN.....	35
Figure 3-12.	PWRON_B Long Push Condition for moving to RUN.....	35
Figure 3-13.	Cold Reset Condition for moving to RUN.....	35
Figure 3-14.	Example of VR Fault and Recovery Sequence (RCVLM[3:0] = 2).....	42
Figure 3-15.	EMG to OFF Power State Transition.....	42
Figure 3-16.	EMG to READY Power State Transition (VSYS_UVLO).....	43
Figure 3-17.	EMG to READY Power State Transition (Die Temperature).....	43
Figure 3-18.	Warm Reset by WDOG_B.....	44
Figure 3-19.	Cold Reset Duration Time set by PONT[3:0].....	46
Figure 3-20.	Power Button Block Diagram.....	47
Figure 3-21.	Power ON Sequence.....	49
Figure 3-22.	Power OFF Sequence (To SNVS).....	51
Figure 3-23.	Power OFF Sequence (To READY).....	53
Figure 3-24.	RUN to IDLE.....	55
Figure 3-25.	IDLE to RUN.....	56
Figure 3-26.	RUN to SUSPEND.....	57
Figure 3-27.	SUSPEND to RUN.....	58
Figure 3-28.	IDLE to SUSPEND.....	59
Figure 3-29.	Emergency Shutdown.....	60
Figure 3-30.	Warm Reset (SWRESET).....	61
Figure 3-31.	Warm Reset (WDOG_B).....	61
Figure 3-32.	Warm Reset (PWRON_B Long Push).....	61
Figure 4-1.	I2C (Slave) Block Diagram.....	63
Figure 4-2.	I2C Bus Interface AC Timing.....	65
Figure 4-3.	I2C Device Addressing.....	66
Figure 4-4.	I2C Write / Read Operation.....	67
Figure 4-5.	IRQ_B Architecture Block Diagram.....	68
Figure 5-1.	BUCK1 Block Diagram.....	73
Figure 5-2.	BUCK2 Block Diagram.....	77
Figure 5-3.	BUCK3 Block Diagram.....	81
Figure 5-4.	BUCK4 Block Diagram.....	84
Figure 5-5.	BUCK5 Block Diagram.....	87
Figure 5-6.	BUCK6 Block Diagram.....	90
Figure 5-7.	BUCK7 Block Diagram.....	93
Figure 5-8.	BUCK8 Block Diagram.....	96
Figure 5-9.	LDO1 Block Diagram.....	99
Figure 5-10.	LDO2 Block Diagram.....	102
Figure 5-11.	LDO3 Block Diagram.....	104
Figure 5-12.	LDO3 Voltage Source Switching.....	106
Figure 5-13.	LDO4 Block Diagram.....	107
Figure 5-14.	LDO4 Voltage Source Switching.....	109
Figure 5-15.	LDO5 Block Diagram.....	110
Figure 5-16.	LDO6 Block Diagram.....	113
Figure 5-17.	LDO7 Block Diagram.....	116
Figure 5-18.	MUXSW Block Diagram.....	119
Figure 5-19.	MUXSW Sequence.....	120
Figure 6-1.	32.768 kHz Crystal Oscillator Driver Block Diagram.....	121
Figure 9-1.	Marking Diagram.....	124

Table

Table 1-1. Acronyms, Conventions and Terminology	7
Table 1-2. Pin Description.....	11
Table 1-3. Power Rails and Output Signals	14
Table 1-4. Register Map.....	15
Table 1-5. REV - Revision Register	15
Table 1-6. REGLOCK - Lock Register	16
Table 1-7. OTPVER – OTP Version Register.....	16
Table 1-8. ESD	17
Table 2-1. Absolute Maximum Ratings.....	18
Table 2-2. Thermal Resistance ^(Note 1)	18
Table 2-3. Recommended Operating Conditions	19
Table 2-4. Current Consumption.....	19
Table 2-5. Power Reference and Detectors Electrical Characteristics	20
Table 3-1. PWRON_B Electrical Characteristics.....	22
Table 3-2. PMIC_ON_REQ Electrical Characteristics.....	22
Table 3-3. PMIC_STBY_REQ Electrical Characteristics.....	22
Table 3-4. WDOG_B Electrical Characteristics.....	22
Table 3-5. RTC_RESET_B Electrical Characteristics	23
Table 3-6. POR_B Electrical Characteristics.....	23
Table 3-7. POW_STATE – Power State Register.....	25
Table 3-8. Voltage Rails ON/OFF for Respective Power State	28
Table 3-9. Setting of Cold or Warm Reset Selection.....	29
Table 3-10. SWRESET - Software Reset Register	29
Table 3-11. PWRCTRL0 - Power Control 0 Register	29
Table 3-12. Conditions from OFF to READY state.....	30
Table 3-13. Conditions from READY to SNVS.....	31
Table 3-14. TRANS_COND0 - Transition Condition Select 0 Register	33
Table 3-15. Conditions from SNVS to RUN	34
Table 3-16. Conditions from RUN to IDLE	36
Table 3-17. PWRCTRL1 - Power Control 1 Register	36
Table 3-18. Conditions from IDLE to RUN	36
Table 3-19. Conditions from RUN to SUSPEND.....	36
Table 3-20. Conditions from SUSPEND to RUN.....	36
Table 3-21. Conditions from IDLE to SUSPEND.....	37
Table 3-22. Conditions from SNVS, RUN, IDLE, SUSPEND, PWROFF to EMG.....	37
Table 3-23. VR FAULT threshold and monitoring condition.....	38
Table 3-24. VRFAULTEN - VR FAULT ON/OFF Register: Debugging Purpose	39
Table 3-25. MVRFLTMASK0 - VR FAULT Mask 0 Register	39
Table 3-26. MVRFLTMASK1 - VR FAULT Mask 1 Register	40
Table 3-27. MVRFLTMASK2 - VR FAULT Mask 2 Register	40
Table 3-28. RCVCFG - Recovery Configuration Register	41
Table 3-29. RCVNUM - Recovery Number Register	41
Table 3-30. Conditions from EMG to OFF.....	42
Table 3-31. Conditions from EMG to READY	43
Table 3-32. Conditions for Stay at EMG.....	44
Table 3-33. Conditions from RUN, IDLE, SUSPEND to PWROFF	45
Table 3-34. TRANS_COND1 - Transition Condition Select 1 Register	45
Table 3-35. VR Summary After Power OFF Sequence.....	46
Table 3-36. PWRONCONFIG0 - PWRON_B Configuration 0 Register.....	47
Table 3-37. PWRONCONFIG1 - PWRON_B Configuration 1 Register.....	48
Table 3-38. Power ON Sequence Timing Specification.....	50
Table 3-39. Power OFF Sequence Timing Specification (To SNVS).....	52
Table 3-40. Power OFF Sequence Timing Specification (To READY)	54
Table 3-41. RUN to IDLE Timing Specification	55
Table 3-42. IDLE to RUN Timing Specification	56
Table 3-43. RUN to SUSPEND Timing Specification	57
Table 3-44. SUSPEND to RUN Timing Specification	58
Table 3-45. IDLE to SUSPEND Timing Specification	59
Table 3-46. Emergency Shutdown Timing Specification	60
Table 3-47. Warm Reset (SWRESET) Timing Specification	61
Table 3-48. Warm Reset (WDOG_B) Timing Specification	61
Table 3-49. Warm Reset (PWRON_B Long Push) Timing Specification	61
Table 3-50. RESETSRC - Reset Source Indicator Register.....	62
Table 4-1. I2C Bus Interface DC Electrical Characteristics	64
Table 4-2. I2C Bus Interface AC Timing - Fast Mode	65
Table 4-3. I2C_DEV - I2C Device Address Indicator Register	66
Table 4-4. Interrupt Event	68

Table 4-5. IRQ_B Electrical Characteristics	68
Table 4-6. IRQ - Interrupt Register.....	69
Table 4-7. MIRQ – IRQ Mask Register	69
Table 4-8. IN_MON - Input Port Monitor Register	70
Table 5-1. Output Voltage Range1.....	71
Table 5-2. Output Voltage Range2.....	72
Table 5-3. BUCK1 Electrical Characteristics.....	74
Table 5-4. BUCK1_CTRL - BUCK1 Control Register.....	75
Table 5-5. BUCK1_VOLT_RUN - BUCK1 Voltage (RUN) Register.....	75
Table 5-6. BUCK1_VOLT_IDLE - BUCK1 Voltage (IDLE) Register	76
Table 5-7. BUCK1_VOLT_SUSP - BUCK1 Voltage (SUSPEND) Register	76
Table 5-8. BUCK2 Electrical Characteristics.....	78
Table 5-9. BUCK2_CTRL - BUCK2 Control Register	79
Table 5-10. BUCK2_VOLT_RUN - BUCK2 Voltage (RUN) Register.....	79
Table 5-11. BUCK2_VOLT_IDLE - BUCK2 Voltage (IDLE) Register.....	80
Table 5-12. BUCK3 Electrical Characteristics.....	82
Table 5-13. BUCK3_CTRL - BUCK3 Control Register.....	83
Table 5-14. BUCK3_VOLT_RUN - BUCK3 Voltage (RUN) Register.....	83
Table 5-15. BUCK4 Electrical Characteristics.....	85
Table 5-16. BUCK4_CTRL - BUCK4 Control Register.....	86
Table 5-17. BUCK4_VOLT_RUN - BUCK4 Voltage (RUN) Register.....	86
Table 5-18. BUCK5 Electrical Characteristics	88
Table 5-19. BUCK5_CTRL - BUCK5 Control Register.....	89
Table 5-20. BUCK5_VOLT - BUCK5 Voltage Register.....	89
Table 5-21. BUCK6 Electrical Characteristics	91
Table 5-22. BUCK6_CTRL - BUCK6 Control Register.....	92
Table 5-23. BUCK6_VOLT - BUCK6 Voltage Register.....	92
Table 5-24. BUCK7 Electrical Characteristics	94
Table 5-25. BUCK7_CTRL - BUCK7 Control Register.....	95
Table 5-26. BUCK7_VOLT - BUCK7 Voltage Register.....	95
Table 5-27. BUCK8 Electrical Characteristics	97
Table 5-28. BUCK8_CTRL - BUCK8 Control Register.....	98
Table 5-29. BUCK8_VOLT - BUCK8 Voltage Register.....	98
Table 5-30. LDO1 Electrical Characteristics	100
Table 5-31. LDO1_VOLT - LDO1 Voltage Register.....	101
Table 5-32. LDO2 Electrical Characteristics	103
Table 5-33. LDO2_VOLT - LDO2 Voltage Register.....	103
Table 5-34. LDO3 Electrical Characteristics	105
Table 5-35. LDO3_VOLT - LDO3 Voltage Register.....	106
Table 5-36. LDO4 Electrical Characteristics	108
Table 5-37. LDO4_VOLT - LDO4 Voltage Register.....	109
Table 5-38. LDO5 Electrical Characteristics	111
Table 5-39. LDO5_VOLT - LDO5 Voltage Register.....	112
Table 5-40. LDO6 Electrical Characteristics	114
Table 5-41. LDO6_VOLT - LDO6 Voltage Register.....	115
Table 5-42. LDO7 Electrical Characteristics	117
Table 5-43. LDO7_VOLT - LDO7 Voltage Register.....	118
Table 5-44. MUXSW Electrical Characteristics	120
Table 5-45. SD_VSELECT Electrical Characteristics.....	120
Table 5-46. MUXSW Sequence Timing.....	120
Table 5-47. MUXSW_EN - MUXSW Enable Register.....	120
Table 6-1. C32K_OUT Control Register.....	121
Table 6-2. 32.768 kHz Crystal Oscillator Driver Electrical Characteristics	121

1. Introduction

1.1. Terminology

Table 1-1. Acronyms, Conventions and Terminology

Term	Definition
BOM	Bill Of Materials
DAC	Digital to Analog Converter
DVS	Dynamic Voltage Scaling
FET	Field Effect Transistor
I2C	Inter-Integrated Circuit
IRQ	Interrupt Request
LDO	Low Drop-Out regulator
NTC	Negative Temperature Coefficient. (a type of thermistor)
OCP	Over Current Protection
OTP	One Time Programmable memory
OVP	Over Voltage Protection
PFM	Pulse-Frequency Modulation
POR	Power On Reset
PWM	Pulse-Width Modulation
SMPS	Switched Mode Power Supply
SoC	System-On-a-Chip
UVLO	Under Voltage-LockOut
VR	Voltage Regulator

1.2. System Power Map & Typical Application Circuit

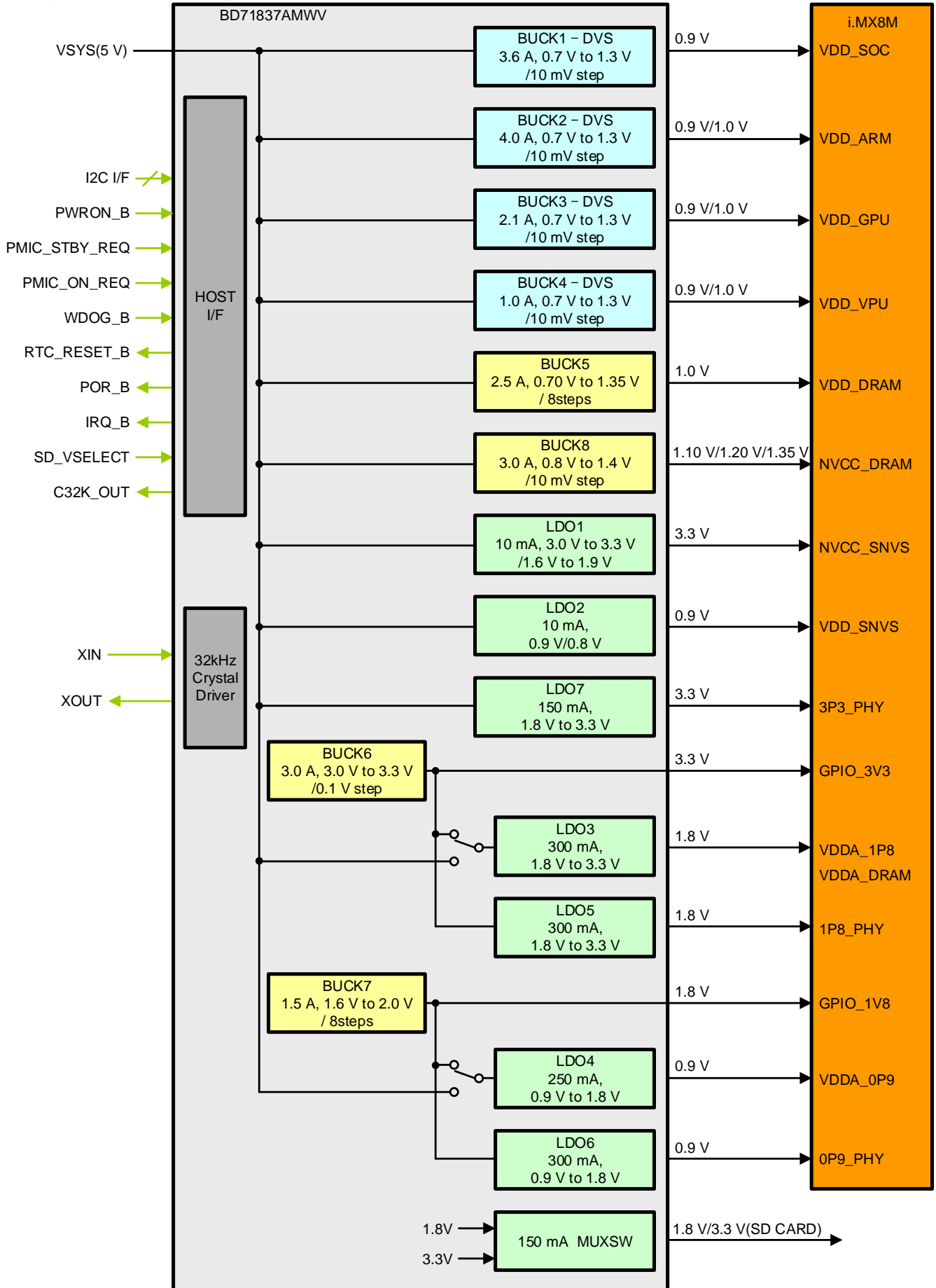


Figure 1-1. System Power Map

1.2. System Power Map & Typical Application Circuit - continued

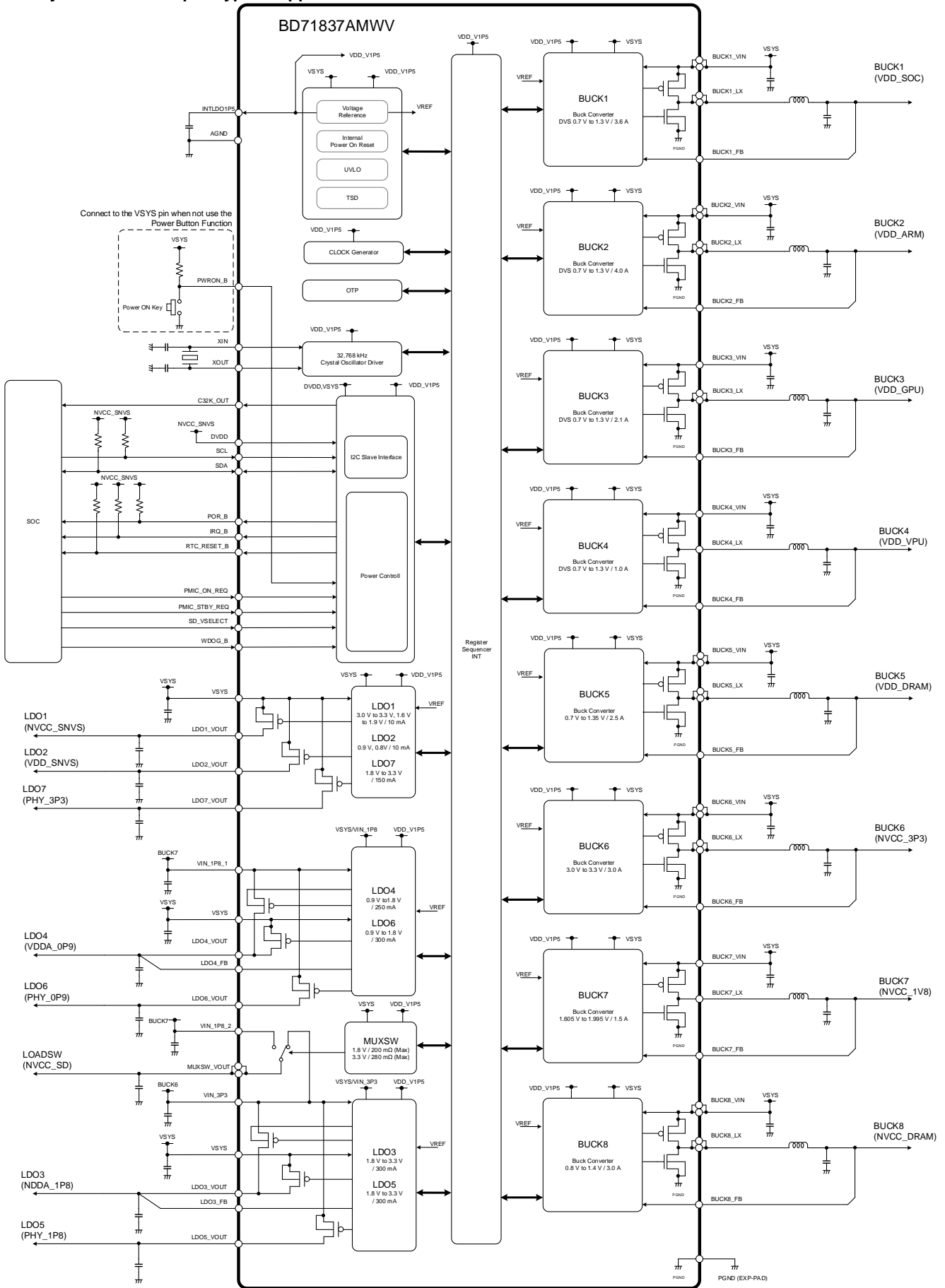


Figure 1-2. Typical Applications Circuit

1.3. Pin Configuration

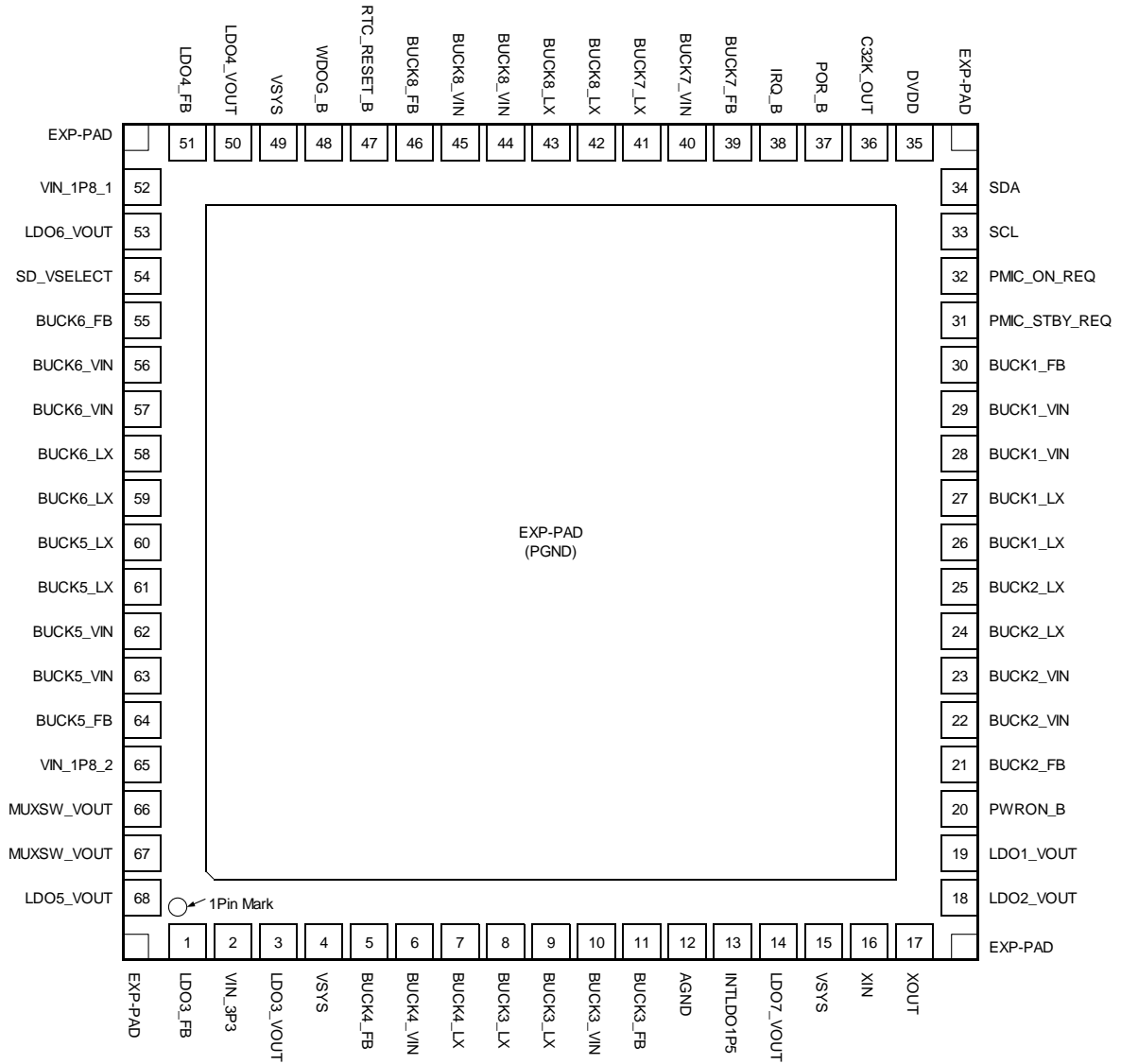


Figure 1-3. Pin Configuration (TOP VIEW)

1.4. Pin Description

Table 1-2. Pin Description

Pin#	Block Name	Pin Name	Dir	Pin Description	PWR /GND	Voltage Level	Terminal Equivalent	Internal pull
28	BUCK1	BUCK1_VIN	I	BUCK1 switcher input supply	PWR	VSYS	H1_1	No
29		BUCK1_VIN	I	BUCK1 switcher input supply	PWR	VSYS	H1_1	No
26		BUCK1_LX	O	BUCK1 switch node connection	-	VSYS	H1_1	No
27		BUCK1_LX	O	BUCK1 switch node connection	-	VSYS	H1_1	No
30		BUCK1_FB	I	BUCK1 feedback sense	-	BUCK1	D2_1	No
22	BUCK2	BUCK2_VIN	I	BUCK2 switcher input supply	PWR	VSYS	H1_1	No
23		BUCK2_VIN	I	BUCK2 switcher input supply	PWR	VSYS	H1_1	No
24		BUCK2_LX	O	BUCK2 switch node connection	-	VSYS	H1_1	No
25		BUCK2_LX	O	BUCK2 switch node connection	-	VSYS	H1_1	No
21		BUCK2_FB	I	BUCK2 feedback sense	-	BUCK2	D2_1	No
10	BUCK3	BUCK3_VIN	I	BUCK3 switcher input supply	PWR	VSYS	H1_1	No
8		BUCK3_LX	O	BUCK3 switch node connection	-	VSYS	H1_1	No
9		BUCK3_LX	O	BUCK3 switch node connection	-	VSYS	H1_1	No
11		BUCK3_FB	I	BUCK3 feedback sense	-	BUCK3	D2_1	No
6	BUCK4	BUCK4_VIN	I	BUCK4 switcher input supply	PWR	VSYS	H1_1	No
7		BUCK4_LX	O	BUCK4 switch node connection	-	VSYS	H1_1	No
5		BUCK4_FB	I	BUCK4 feedback sense	-	BUCK4	D2_1	No
62	BUCK5	BUCK5_VIN	I	BUCK5 switcher input supply	PWR	VSYS	H1_1	No
63		BUCK5_VIN	I	BUCK5 switcher input supply	PWR	VSYS	H1_1	No
60		BUCK5_LX	O	BUCK5 switch node connection	-	VSYS	H1_1	No
61		BUCK5_LX	O	BUCK5 switch node connection	-	VSYS	H1_1	No
64	BUCK5_FB	I	BUCK5 feedback sense	-	BUCK5	D2_1	No	
56	BUCK6	BUCK6_VIN	I	BUCK6 switcher input supply	PWR	VSYS	H1_1	No
57		BUCK6_VIN	I	BUCK6 switcher input supply	PWR	VSYS	H1_1	No
58		BUCK6_LX	O	BUCK6 switch node connection	-	VSYS	H1_1	No
59		BUCK6_LX	O	BUCK6 switch node connection	-	VSYS	H1_1	No
55		BUCK6_FB	I	BUCK6 feedback sense	-	BUCK6	D2_1	No
40	BUCK7	BUCK7_VIN	I	BUCK7 switcher input supply	PWR	VSYS	H1_1	No
41		BUCK7_LX	O	BUCK7 switch node connection	-	VSYS	H1_1	No
39		BUCK7_FB	I	BUCK7 feedback sense	-	BUCK7	D2_1	No
44	BUCK8	BUCK8_VIN	I	BUCK8 switcher input supply	PWR	VSYS	H1_1	No
45		BUCK8_VIN	I	BUCK8 switcher input supply	PWR	VSYS	H1_1	No
42		BUCK8_LX	O	BUCK8 switch node connection	-	VSYS	H1_1	No
43		BUCK8_LX	O	BUCK8 switch node connection	-	VSYS	H1_1	No
46		BUCK8_FB	I	BUCK8 feedback sense	-	BUCK8	D2_1	No
15	LDO1	VSYS	I	LDO1, LDO2, LDO7 input supply	PWR	VSYS	G1_1	No
19		LDO1_VOUT	O	LDO1 output(Default:3.3V)	-	LDO1	G1_1	No
18		LDO2_VOUT	O	LDO2 output(Default:0.9V)	-	LDO2	G1_1	No
14		LDO7_VOUT	O	LDO7 output(Default:3.3V)	-	LDO7	G1_1	No
52	LDO4	VIN_1P8_1	I	LDO4, LDO6 input supply(Default:1.8V)	PWR	BUCK7	G1_1,G3_1	No
49		VSYS	I	LDO4 input supply	PWR	VSYS	G3_1	No
50		LDO4_VOUT	O	LDO4 output(Default:0.9V)	-	LDO4	G3_1	No
51		LDO4_FB	I	LDO4 feedback sense	-	LDO4	D2_1	No
53		LDO6_VOUT	O	LDO6 output(Default:0.9V)	-	LDO6	G1_2	No
2	LDO3	VIN_3P3	I	LDO3, LDO5, MUXSW input supply(Default:3.3V)	PWR	BUCK6	G1_3,G3_2	No
4		VSYS	I	LDO3 input supply	PWR	VSYS	G3_2	No
3		LDO3_VOUT	O	LDO3 output(Default:1.8V)	-	LDO3	G3_2	No
1		LDO3_FB	I	LDO3 feedback sense	-	LDO3	D2_1	No
68		LDO5_VOUT	O	LDO5 output(Default:1.8V)	-	LDO5	G1_3	No
65	MUXSW	VIN_1P8_2	I	MUXSW input supply(Default:1.8V)	PWR	BUCK7	G1_1,G3_1	No
66		MUXSW_VOUT	O	MUXSW output(3.3V/1.8V)	-	VIN3P3	F2_1	No
67		MUXSW_VOUT	O	MUXSW output(3.3V/1.8V)	-	/VIN1P8	F2_1	No
13	REF	INTLDO1P5	O	Internal LDO for PMIC	PWR	INTLDO1P5	G1_4	No
12		AGND	I	AGND	GND	0V	Z1_1	No
16	Crystal Oscillator	XIN	I	32.768kHz crystal input	-	INTLDO1P5	E1_1	No
17		XOUT	O	32.768kHz crystal output	-	INTLDO1P5	E1_1	No
35	Interface	DVDD	I	Interface input supply	PWR	DVDD	Z1_1	No
33		SCL	I	I ² C CLOCK	-	DVDD	A1_1	No ^(Note1)
34		SDA	I/O	I ² C DATA	-	DVDD	A3_1	No ^(Note1)
36		C32K_OUT	O	32.768kHz clock output	-	DVDD	C1_1	No
38		IRQ_B	O	Interrupt signal to processor(Open Drain)	-	DVDD	C1_1	No ^(Note1)
37		POR_B	O	Power on reset output(Open Drain)	-	DVDD	C1_1	No ^(Note1)
47		RTC_RESET_B	O	Power OK signal for LDO1,2(Open Drain)	-	DVDD	C1_1	No ^(Note1)
48		WDOG_B	I	Watchdog input from processor	-	DVDD	C1_1	No
32		PMIC_ON_REQ	I	Power on/off control Input	-	VSYS	A6_1	No
31		PMIC_STBY_REQ	I	Standby input signal	-	DVDD	C1_1	No
54		SD_VSELECT	I	Voltage select for SD	-	DVDD	C1_1	No
20	PWRON_B	I	Power Button	-	VSYS	A6_1	No	
-	-	EXP-PAD (PGND)	-	Power Ground. Connect the center EXP-PAD in the Figure 1-3 to the GND plane of PCB. The EXP-PADs on the 4-corner have the same potential as the center EXP-PAD.	GND	0V	Z1_1	No

(Note 1) Need to pull up external resistance to DVDD

1.5. I/O Equivalence Circuit

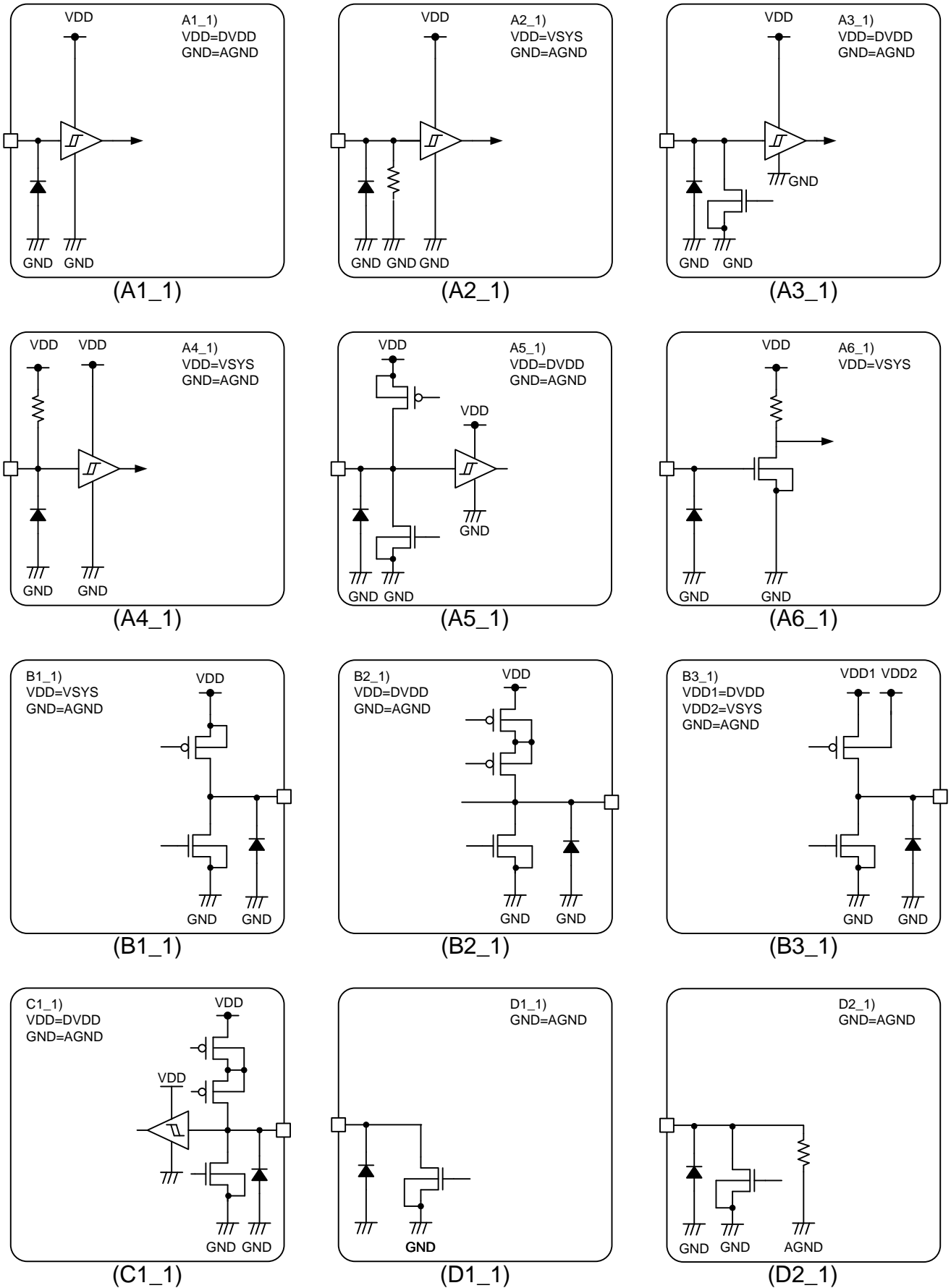


Figure 1-4. I/O Equivalence Circuit 1

1.5. I/O Equivalence Circuit – continued

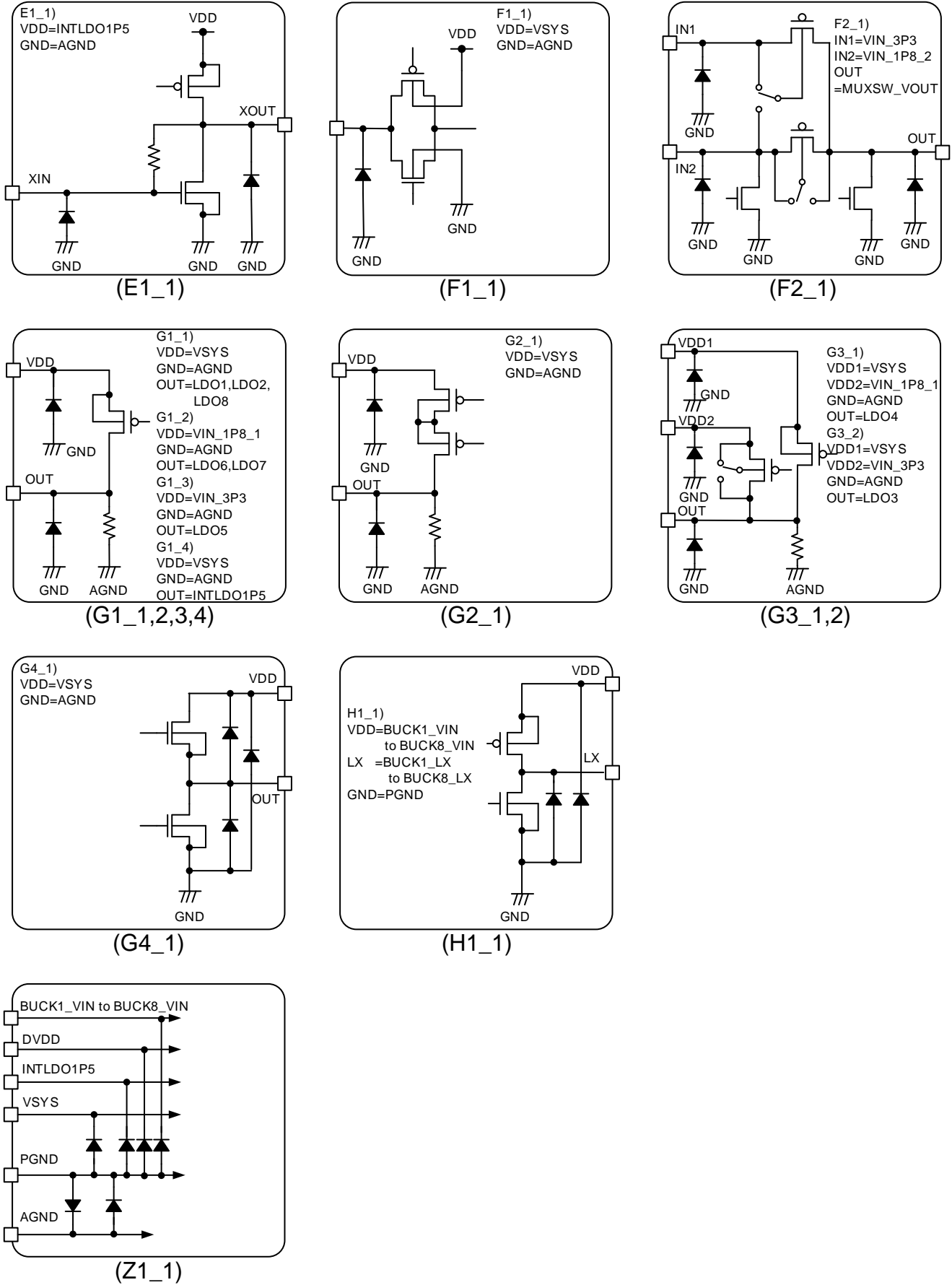


Figure 1-5. I/O Equivalence Circuit 2

1.6. Power Rail

Table 1-3. Power Rails and Output Signals

Sequence Order	Function	Rail/Signal Name	Type	Input Rail	Output Voltage Initial Value [V]	Output Voltage Adjustable Range [V]	DVS	I _{OMAX} [A]
1	NVCC_SNVS	LDO1	Source LDO	VSYS	3.3	3.0 to 3.3, 1.6 to 1.9 (100 mV step)	-	0.01
2	VDD_SNVS	LDO2	Source LDO	VSYS	0.9	0.9, 0.8	-	0.01
3	RTC_RESET_B	RTC_RESET_B	Open drain	-	-	-	-	-
4	32K_OUT	C32K_OUT	CMOS	DVDD	-	-	-	-
5	VDD_SOC	BUCK1	SMPS	VSYS	0.9	0.7 to 1.3 (10 mV step)	DVS	3.6
5	VDDA_0P9	LDO4	Source LDO	VSYS/ BUCK7	0.9	0.9 to 1.8 (100 mV step)	-	0.25
6	VDD_DRAM	BUCK5	SMPS	VSYS	1.0	0.70, 0.80, 0.90, 1.00 1.05, 1.10, 1.20, 1.35	-	2.5
7	VDD_VPU	BUCK4	SMPS	VSYS	1.0	0.7 to 1.3 (10 mV step)	DVS	1
8	VDD_GPU	BUCK3	SMPS	VSYS	1.0	0.7 to 1.3 (10 mV step)	DVS	2.1
9	VDD_ARM	BUCK2	SMPS	VSYS	1.0	0.7 to 1.3 (10 mV step)	DVS	4.0
10	VDDA_1P8/DRAM	LDO3	Source LDO	VSYS/ BUCK6	1.8	1.8 to 3.3 (100 mV step)	-	0.3
11	NVCC_3P3	BUCK6	SMPS	VSYS	3.3	3.0 to 3.3 (100 mV step)	-	3.0
11	NVCC_SD	MUXSW	MUX Switch	BUCK6/ BUCK7	3.3/1.8	-	-	0.15
12	NVCC_1P8	BUCK7	SMPS	VSYS	1.8	1.605, 1.695, 1.755, 1.800, 1.845, 1.905, 1.950, 1.995	-	1.5
13	NVCC_DRAM	BUCK8	SMPS	VSYS	1.1	0.8 to 1.4 (10 mV step)	-	3.0
14	PHY_1P8	LDO5	Source LDO	BUCK6	1.8	1.8 to 3.3 (100 mV step)	-	0.3
14	PHY_0P9	LDO6	Source LDO	BUCK7	0.9	0.9 to 1.8 (100 mV step)	-	0.3
14	PHY_3P3	LDO7	Source LDO	VSYS	3.3	1.8 to 3.3 (100 mV step)	-	0.15
15	POR_B	POR_B	Open drain	-	-	-	-	-

(Note) Sequence order, interval time of each outputs, and initial output voltages are configurable by OTP.

1.7. Register Map

Table 1-4. Register Map

Address (Hex)	Reset Condition (Note 1)	Register Name	D7	D6	D5	D4	D3	D2	D1	D0	Initial Value (Hex)	Access (R, W, RW)	OTP	Write Access Lock (Note 2)	
00	NA	REV	MAJREV[3:0]				MINREV[3:0]				A3	R	No	-	
01	UVLO	SWRESET	-	-	-	-	-	SWRESET_SEL[1:0]			04	R/W	No	-	
02	UVLO	I2C_DEV	-	-	-	-	-	I2C_DEV_ADRES[1:0]			03	R	Yes	-	
03	UVLO	PWRCTRL0	DEBUG_STATE[1:0]		RELOAD_REG	-	-	WDOG8_SEL[1:0]			A2	R/W	Yes	PWRSEQ	
04	UVLO	PWRCTRL1	-	-	-	-	-	IDLE_MODE			00	R/W	Yes	-	
05	READY	BUCK1_CTRL	BUCK1_RAMFRATE[1:0]			-	BUCK1_PWM_FIX	-	BUCK1_SEL	BUCK1_EN	40	R/W	Yes	VREG	
06	READY	BUCK2_CTRL	BUCK2_RAMFRATE[1:0]			-	BUCK2_PWM_FIX	-	BUCK2_SEL	BUCK2_EN	40	R/W	Yes	VREG	
07	READY	BUCK3_CTRL	BUCK3_RAMFRATE[1:0]			-	BUCK3_PWM_FIX	BUCK3_RUN_ON	BUCK3_SEL	BUCK3_EN	44	R/W	Yes	VREG	
08	READY	BUCK4_CTRL	BUCK4_RAMFRATE[1:0]			-	BUCK4_PWM_FIX	BUCK4_RUN_ON	BUCK4_SEL	BUCK4_EN	44	R/W	Yes	VREG	
09	READY	BUCK5_CTRL	-	-	-	-	BUCK5_PWM_FIX	-	BUCK5_SEL	BUCK5_EN	00	R/W	Yes	VREG	
0A	READY	BUCK6_CTRL	-	-	-	-	BUCK6_PWM_FIX	-	BUCK6_SEL	BUCK6_EN	00	R/W	Yes	VREG	
0B	READY	BUCK7_CTRL	-	-	-	-	BUCK7_PWM_FIX	-	BUCK7_SEL	BUCK7_EN	00	R/W	Yes	VREG	
0C	READY	BUCK8_CTRL	-	-	-	-	BUCK8_PWM_FIX	-	BUCK8_SEL	BUCK8_EN	00	R/W	Yes	VREG	
0D	READY	BUCK1_VOLT_RUN	-	-	-	-	BUCK1_VOLT_RUN[5:0]			14	R/W	Yes	VREG		
0E	READY	BUCK1_VOLT_IDLE	-	-	-	-	BUCK1_VOLT_IDLE[5:0]			14	R/W	Yes	VREG		
0F	READY	BUCK1_VOLT_SUSP	-	-	-	-	BUCK1_VOLT_SUSP[5:0]			14	R/W	Yes	VREG		
10	READY	BUCK2_VOLT_RUN	-	-	-	-	BUCK2_VOLT_RUN[5:0]			1E	R/W	Yes	VREG		
11	READY	BUCK2_VOLT_IDLE	-	-	-	-	BUCK2_VOLT_IDLE[5:0]			14	R/W	Yes	VREG		
12	READY	BUCK3_VOLT_RUN	-	-	-	-	BUCK3_VOLT_RUN[5:0]			1E	R/W	Yes	VREG		
13	READY	BUCK4_VOLT_RUN	-	-	-	-	BUCK4_VOLT_RUN[5:0]			1E	R/W	Yes	VREG		
14	READY	BUCK5_VOLT	BUCK5_VOLT_SEL	-	-	-	-	BUCK5_VOLT[2:0]			03	R/W	Yes	VREG	
15	READY	BUCK6_VOLT	-	-	-	-	-	BUCK6_VOLT[1:0]			03	R/W	Yes	VREG	
16	READY	BUCK7_VOLT	-	-	-	-	-	BUCK7_VOLT[2:0]			03	R/W	Yes	VREG	
17	READY	BUCK8_VOLT	-	-	-	-	-	BUCK8_VOLT[5:0]			1E	R/W	Yes	VREG	
18	READY	LDO1_VOLT	LDO1_SEL	LDO1_EN	LDO1_VOLT_SEL	-	-	LDO1_VOLT[1:0]			03	R/W	Yes	VREG	
19	READY	LDO2_VOLT	LDO2_SEL	LDO2_EN	LDO2_VOLT_SEL	-	-	LDO2_VOLT[1:0]			00	R/W	Yes	VREG	
1A	READY	LDO3_VOLT	LDO3_SEL	LDO3_EN	-	-	-	LDO3_VOLT[3:0]			00	R/W	Yes	VREG	
1B	READY	LDO4_VOLT	LDO4_SEL	LDO4_EN	-	-	-	LDO4_VOLT[3:0]			00	R/W	Yes	VREG	
1C	READY	LDO5_VOLT	LDO5_SEL	LDO5_EN	-	-	-	LDO5_VOLT[3:0]			00	R/W	Yes	VREG	
1D	READY	LDO6_VOLT	LDO6_SEL	LDO6_EN	-	-	-	LDO6_VOLT[3:0]			00	R/W	Yes	VREG	
1E	READY	LDO7_VOLT	LDO7_SEL	LDO7_EN	-	-	-	LDO7_VOLT[3:0]			0F	R/W	Yes	VREG	
1F	UVLO	TRANS_COND0	C1_VSYS_3P0_ONLY_EN	C1_PMC_ON_REG_EN	C1_SHORT_PUSH_EN	C1_LONG_PUSH_EN	C0_VSYS_3P0_ONLY_EN	C0_PMC_ON_REG_EN	C0_SHORT_PUSH_EN	C0_LONG_PUSH_EN	48	R/W	Yes	PWRSEQ	
20	UVLO	TRANS_COND1	FONT[3:0]			-	-	PWRON_POFF_TO_READY	PWRON_POFF_TO_READY	PWRON_POFF_TO_READY	PWRON_POFF_TO_READY	C4	R/W	Yes	PWRSEQ
21	UVLO	VRFALUTEN	-	-	-	-	-	-	-	VRFALUTEN	01	R/W	Yes	-	
22	UVLO	MVRFULTMASK0	MBUCK8_VOUTOKH	MBUCK8_VOUTOKL	MBUCK7_VOUTOKH	MBUCK7_VOUTOKL	MBUCK6_VOUTOKH	MBUCK6_VOUTOKL	MBUCK5_VOUTOKH	MBUCK5_VOUTOKL	00	R/W	Yes	-	
23	UVLO	MVRFULTMASK1	MBUCK4_VOUTOKH	MBUCK4_VOUTOKL	MBUCK3_VOUTOKH	MBUCK3_VOUTOKL	MBUCK2_VOUTOKH	MBUCK2_VOUTOKL	MBUCK1_VOUTOKH	MBUCK1_VOUTOKL	00	R/W	Yes	-	
24	UVLO	MVRFULTMASK2	-	MLD07_VOUTOKL	MLD06_VOUTOKL	MLD05_VOUTOKL	MLD04_VOUTOKL	MLD03_VOUTOKL	MLD02_VOUTOKL	MLD01_VOUTOKL	00	R/W	Yes	-	
25	UVLO	RCVCFG	RCVLM[3:0]			-	-	RCVDT[3:0]			4C	R/W	Yes	-	
26	UVLO	RCVNUM	-	-	-	-	-	RCVNUM[3:0]			00	R/W	No	-	
27	UVLO	PWRONCONF0	-	-	-	-	PBDNCT[1:0]			16	R/W	Yes	-		
28	UVLO	PWRONCONF1	-	-	-	-	-	LONGT[3:0]			0A	R/W	Yes	-	
29	UVLO	RESSETSRC	RPWRON	RWDOG	RSWRST	RFPMC_ON_REQ	RVSYS_2P7	RTEMP	ROCP	RVR_FAULT	00	R/W	No	-	
2A	UVLO	MIRQ	-	MSWRST	MPWRON_S	MPWRON_L	MPWRON	MWDOG	MON_REQ	MSIBY_REQ	7F	R/W	No	-	
2B	UVLO	IRQ	-	SWRST	PWRON_S	PWRON_L	PWRON	WDOG	ON_REQ	STBY_REQ	00	R/W	No	-	
2C	UVLO	IN_MON	-	-	-	-	STAT_PWRON	STAT_WDOG	STAT_ON_REQ	STAT_STBY_REQ	00	R	No	-	
2D	UVLO	POW_STATE	POW_ST[3:0]			-	-	POW_SUB[1:0]			00	R	No	-	
2E	READY	OUT32K	-	-	-	-	-	-	OUT32K_EN	-	01	R/W	Yes	-	
2F	READY	REGLOCK	-	-	-	VREG	-	-	-	PWRSEQ	11	R/W	No	-	
30	READY	MUXSW_EN	-	-	-	-	-	-	-	MUXSW_EN	01	R/W	Yes	-	
FF	NA	OTPV/ER	OTPV/ER[7:0]							-	-	01	R	Yes	-

(Note 1) Reset Condition of each register is classified as follows.
 UVLO : When INTLDO1P5_UVLO=0, register values are reset to the default value.
 READY : When Power State enters READY, register values are reset to the default value.
 (Note 2) Regarding registers labeled in this column, its write access is disabled as follows.
 PWRSEQ : When PWRSEQ in REGLOCK register is set to 1, write access is disabled.
 VREG : When VREG in REGLOCK register is set to 1, write access is disabled.

Table 1-5. REV - Revision Register

Register Name	R/W	D7	D6	D5	D4	D3	D2	D1	D0	Initial	Address
REV	R	MAJREV[3:0]				MINREV[3:0]				0xA3	0x00
Bit	Name	Function									Initial
D[7:4]	MAJREV[3:0]	Major Revision									1010
D[3:0]	MINREV[3:0]	Minor Revision									0011

1.7. Register Map – continued

Table 1-6. REGLOCK - Lock Register

Register Name	R/W	D7	D6	D5	D4	D3	D2	D1	D0	Initial	Address
REGLOCK	R/W	-	-	-	VREG	-	-	-	PWRSEQ	0x11	0x2F

Bit	Name	Function	Initial
D[4]	VREG	0 = Enable to write following 26 registers. BUCK1_CTRL, BUCK2_CTRL, BUCK3_CTRL, BUCK4_CTRL BUCK5_CTRL, BUCK6_CTRL, BUCK7_CTRL, BUCK8_CTRL BUCK1_VOLT_RUN, BUCK1_VOLT_IDLE BUCK1_VOLT_SUSP, BUCK2_VOLT_RUN BUCK2_VOLT_IDLE, BUCK3_VOLT_RUN BUCK4_VOLT_RUN, BUCK5_VOLT, BUCK6_VOLT, BUCK7_VOLT BUCK8_VOLT, LDO1_VOLT, LDO2_VOLT, LDO3_VOLT LDO4_VOLT, LDO5_VOLT, LDO6_VOLT, LDO7_VOLT 1 = Disable to write following 26 registers. BUCK1_CTRL, BUCK2_CTRL, BUCK3_CTRL, BUCK4_CTRL BUCK5_CTRL, BUCK6_CTRL, BUCK7_CTRL, BUCK8_CTRL BUCK1_VOLT_RUN, BUCK1_VOLT_IDLE BUCK1_VOLT_SUSP, BUCK2_VOLT_RUN BUCK2_VOLT_IDLE, BUCK3_VOLT_RUN BUCK4_VOLT_RUN, BUCK5_VOLT, BUCK6_VOLT, BUCK7_VOLT BUCK8_VOLT, LDO1_VOLT, LDO2_VOLT, LDO3_VOLT LDO4_VOLT, LDO5_VOLT, LDO6_VOLT, LDO7_VOLT	1
D[0]	PWRSEQ	0 = Enable to write three registers, PWRCTRL0, TRANS_COND0, TRANS_COND1 1 = Disable to write three registers, PWRCTRL0, TRANS_COND0, TRANS_COND1	1

Table 1-7. OTPVER – OTP Version Register

Register Name	R/W	D7	D6	D5	D4	D3	D2	D1	D0	Initial	Address
OTPVER	R	OTPVER[7:0]								0x01	0xFF

Bit	Name	Function	Initial
D[7:0]	OTP_VER[7:0]	OTP Version	0x01

1.8. ESD

Table 1-8. ESD

Parameter	Minimum Limit	Unit
Human Body Model(HBM)	±2000	V
Charged Device Model(CDM)	±1000	V

2. Operating Conditions

2.1. Absolute Maximum Ratings (Ta=25 °C)

Table 2-1. Absolute Maximum Ratings

Parameter	Symbol	Limit		Unit
		Min	Max	
Voltage Range in PINs: V _{SYS} , BUCK1_VIN to BUCK8_VIN, VIN_1P8_1, VIN_1P8_2, VIN_3P3, PWRON_B, PMIC_ON_REQ	V _{AMR_1}	-0.3	+6.0	V
Voltage Range in PIN: DVDD	V _{AMR_2}	-0.3	+4.5	V
Voltage Range in PIN: INTLDO1P5	V _{AMR_3}	-0.3	+2.1	V
Voltage Range in PINs: BUCK1_LX to BUCK8_LX	V _{AMR_4}	-1.0(DC) -2.0(10ns)	+7.0	V
Voltage Range in PINs: SCL,SDA,IRQ_B,POR_B,WODG_B PMIC_STB_REQ,SD_VSELECT,C32K_OUT	V _{AMR_5}	-0.3	+4.5	V
Voltage Range in PINs: BUCK1_FB to BUCK8_FB, LDO3_FB, LDO4_FB, LDO1_VOUT to LDO7_VOUT, MUXSW_VOUT	V _{AMR_6}	-0.3	+4.5	V
Voltage Range in PINs: XIN, XOUT	V _{AMR_7}	-0.3	+2.1	V
Maximum Junction Temperature	T _{jmax}		150	°C
Storage Temperature Range	T _{stg}	-55	+150	°C

Caution 1: Operating the IC over the absolute maximum ratings may damage the IC. The damage can either be a short circuit between pins or an open circuit between pins and the internal circuitry. Therefore, it is important to consider circuit protection measures, such as adding a fuse, in case the IC is operated over the absolute maximum ratings.

Caution 2: Should by any chance the maximum junction temperature rating be exceeded the rise in temperature of the chip may result in deterioration of the properties of the chip. In case of exceeding this absolute maximum rating, design a PCB with thermal resistance taken into consideration by increasing board size and copper area so as not to exceed the maximum junction temperature rating.

2.2. Thermal Resistance

Table 2-2. Thermal Resistance (Note 1)

Parameter	Symbol	Thermal Resistance (Typ)		Unit
		1s (Note 3)	2s2p (Note 4)	
UQFN68CV8080				
Junction to Ambient	θ _{JA}	76.8	28.1	°C/W
Junction to Top Characterization Parameter (Note 2)	Ψ _{JT}	6	6	°C/W

(Note 1) Based on JESD51-2A(Still-Air).

(Note 2) The thermal characterization parameter to report the difference between junction temperature and the temperature at the top center of the outside surface of the component package.

(Note 3) Using a PCB board based on JESD51-3.

(Note 4) Using a PCB board based on JESD51-5, 7.

Layer Number of Measurement Board	Material	Board Size
Single	FR-4	114.3mm x 76.2mm x 1.57mmt

Top	
Copper Pattern	Thickness
Footprints and Traces	70µm

Layer Number of Measurement Board	Material	Board Size	Thermal Via (Note 5)	
			Pitch	Diameter
4 Layers	FR-4	114.3mm x 76.2mm x 1.6mmt	1.20mm	Φ0.30mm

Top		2 Internal Layers		Bottom	
Copper Pattern	Thickness	Copper Pattern	Thickness	Copper Pattern	Thickness
Footprints and Traces	70µm	74.2mm x 74.2mm	35µm	74.2mm x 74.2mm	70µm

(Note 5) This thermal via connects with the copper pattern of all layers.

2.3. Recommended Operating Conditions

Table 2-3. Recommended Operating Conditions

Parameter	Symbol	Limit			Unit
		Min	Typ	Max	
Voltage Range in PINs: VSYS, BUCK1_VIN to BUCK8_VIN ^(Note 1)	V _{OPR_1}	2.70	5.00	5.50	V
Voltage Range in PINs: DVDD, VIN_3P3 ^(Note 2)	V _{OPR_2}	2.70	3.30	3.60	V
Voltage Range in PIN: VIN_1P8_1 ^(Note 3)	V _{OPR_3}	1.71	1.80	5.50	V
Voltage Range in PIN: VIN_1P8_2 ^(Note 3)	V _{OPR_4}	1.71	1.80	1.89	V
Operating Temperature	Topr	-40	+25	+105	°C

(Note 1) It is necessary to supply the same voltage to the VSYS pin and the BUCK1_VIN to BUCK8_VIN pins.

(Note 2) The VIN_3P3 pin is recommended to connect with BUCK6 outputs.

(Note 3) The VIN_1P8_1 pin and the VIN_1P8_2 pin are recommended to connect with BUCK7 outputs.

2.4. Current Consumption

Table 2-4. Current Consumption

(Unless otherwise specified, Ta=+25 °C, VSYS=5.0 V, DVDD=3.3 V)

Parameter	Symbol	Limit			Unit	Condition
		Min	Typ	Max		
VSYS Circuit Current 1	I _{Q_VSYS1}	-	14	23	μA	READY State ^(Note 1)
VSYS Circuit Current 2	I _{Q_VSYS2}	-	30	50	μA	SNVS State ^(Note 1)
VSYS Circuit Current 3	I _{Q_VSYS3}	-	137	205	μA	SUSPEND State ^(Note 1)
VSYS Circuit Current 4	I _{Q_VSYS4}	-	167	250	μA	IDLE State ^(Note 1)
VSYS Circuit Current 5	I _{Q_VSYS5}	-	197	295	μA	Run State ^(Note 1)
DVDD Circuit Current 1	I _{Q_DVDD1}	-	-	2	μA	DVDD static current (OUT32K_EN=0)
DVDD Circuit Current 2	I _{Q_DVDD2}	-	4	-	μA	DVDD operation current (OUT32K_EN=1) ^(Note 2)

(Note 1) When DVDD is connected with LDO1, total circuit current is the value that added VSYS and DVDD circuit current of this table.

(Note 2) This circuit current is affected by parasitic capacitance of the board.

2.5. Power Reference and Detectors (UVLO)

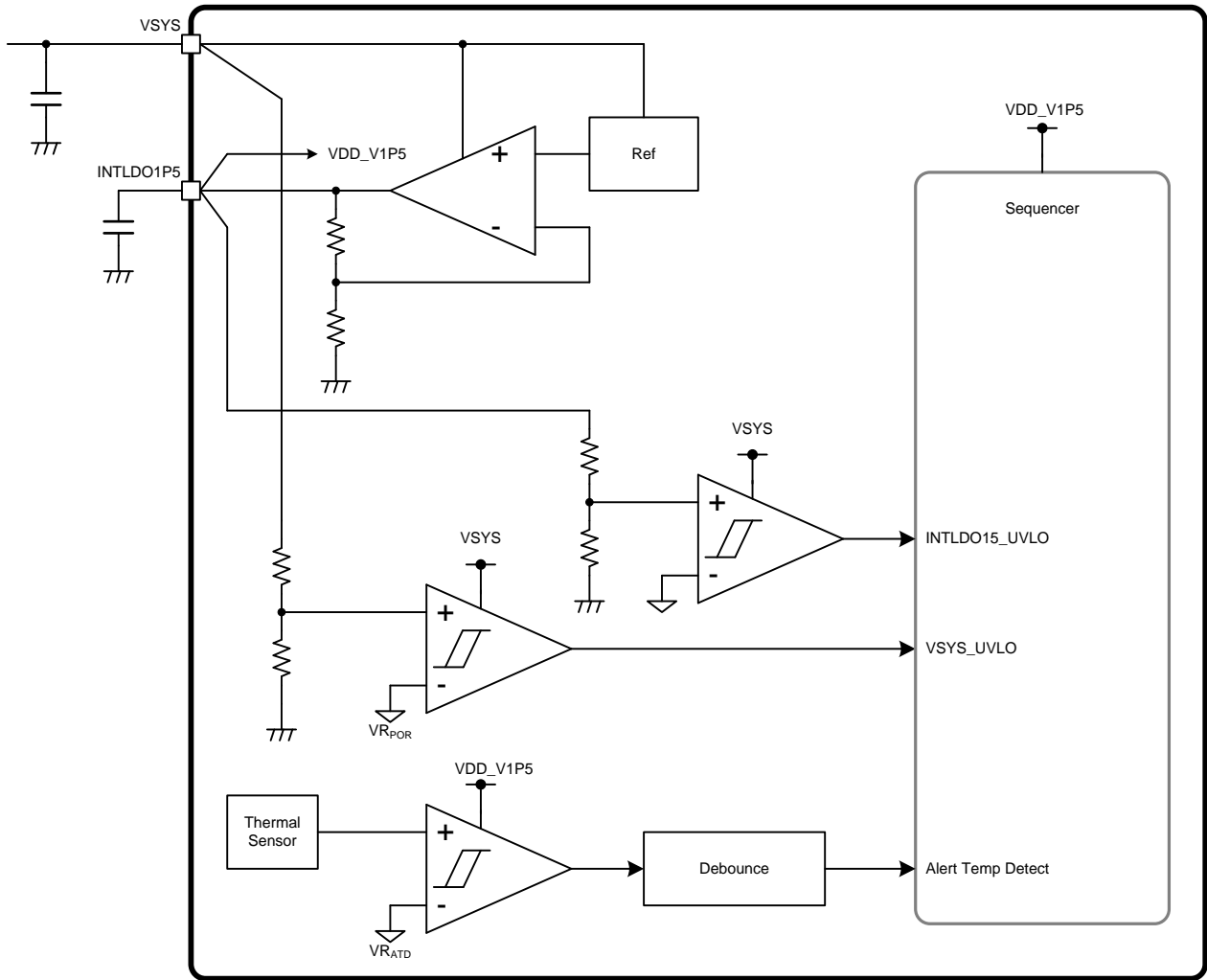


Figure 2-1. Power Reference and Detectors Block Diagram

Table 2-5. Power Reference and Detectors Electrical Characteristics

(Unless otherwise specified, Ta=+25 °C, VSYS=5.0 V)

Parameter	Symbol	Limit			Unit	Remarks
		Min	Typ	Max		
Voltage Detector - VSYS under voltage(VSYS_UVLO)						
Release Voltage	V_{UVLORL}	2.65	3.00	3.35	V	VSYS=Sweep up
Detect Voltage	V_{UVLODT}	2.65	2.70	2.75	V	VSYS =Sweep down
Hysteresis Voltage	$V_{UVLOHYS}$	-	0.3	-	V	
Voltage Detector - INTLDO1P5 under voltage(INTLDO1P5_UVLO)						
Release Voltage	$V_{INTUVLORL}$	-	1.39	-	V	VSYS=Sweep up
Detect Voltage	$V_{INTUVLODT}$	-	1.35	-	V	VSYS =Sweep down
PMIC Die Critical Temperature Detector (Thermal Shutdown factor)						
Detect Temperature	T_{CTD}	-	150	-	°C	Die Temperature=Sweep up
Power Reference						
INTLDO1P5 Output Voltage	V_{LDO15}	-	1.5	-	V	This output voltage is for internal use only.
COUT Capacitor	C_{O_LDO15}	0.5	1.0	5.0	μF	

3. Power State Control
3.1. Power Control Signals

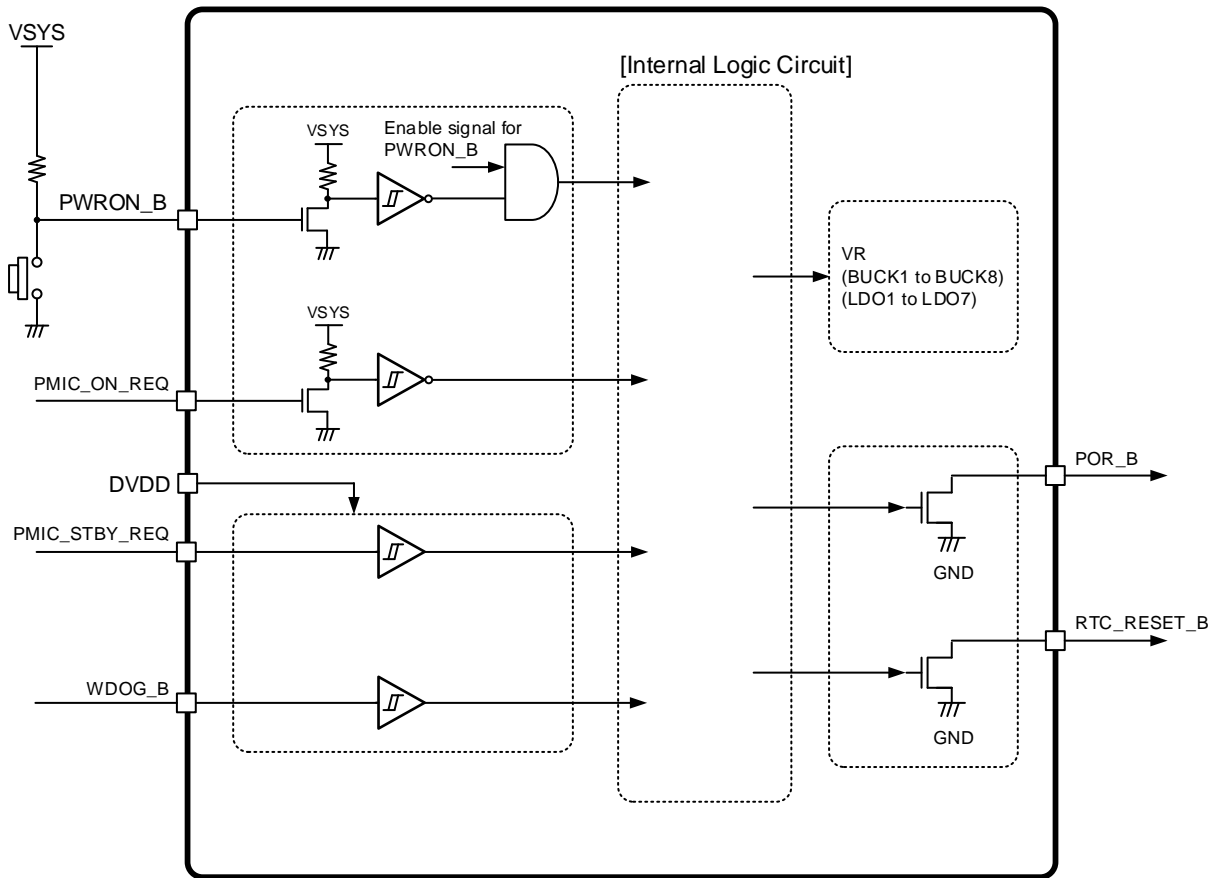


Figure 3-1. Power Control Signals of BD71837AMWV

3.1.1. PWRON_B

PWRON_B is an active-low input for triggering the system to power on or off. Normally, PWRON_B is connected to a power button.

Table 3-1. PWRON_B Electrical Characteristics

(Unless otherwise specified, Ta= +25 °C, V_{SY}S=5.0 V, DVDD=3.3 V)

Parameter	Symbol	Limit			Unit	Condition
		Min	Typ	Max		
Input "H" Level	V _{IH_PWRON}	1.44	-	-	V	
Input "L" Level	V _{IL_PWRON}	-	-	0.40	V	

3.1.2. PMIC_ON_REQ

PMIC_ON_REQ is an active-high input for going to RUN state.

Table 3-2. PMIC_ON_REQ Electrical Characteristics

(Unless otherwise specified, Ta= +25 °C, V_{SY}S=5.0 V, DVDD=3.3 V)

Parameter	Symbol	Limit			Unit	Condition
		Min	Typ	Max		
Input "H" Level	V _{IH_ONREQ}	1.44	-	-	V	
Input "L" Level	V _{IL_ONREQ}	-	-	0.40	V	

3.1.3. PMIC_STBY_REQ

PMIC_STBY_REQ is an active-high input for going to SUSPEND state.

Table 3-3. PMIC_STBY_REQ Electrical Characteristics

(Unless otherwise specified, Ta= +25 °C, V_{SY}S=5.0 V, DVDD=3.3 V)

Parameter	Symbol	Limit			Unit	Condition
		Min	Typ	Max		
Input "H" Level	V _{IH_STBYREQ}	DVDD x 0.75	-	-	V	
Input "L" Level	V _{IL_STBYREQ}	-	-	DVDD x 0.25	V	

3.1.4. WDOG_B

WDOG_B is an active-low input for triggering Cold Reset or Warm Reset.

Table 3-4. WDOG_B Electrical Characteristics

(Unless otherwise specified, Ta= +25 °C, V_{SY}S=5.0 V, DVDD=3.3 V)

Parameter	Symbol	Limit			Unit	Condition
		Min	Typ	Max		
Input "H" Level	V _{IH_WDOG}	DVDD x 0.75	-	-	V	
Input "L" Level	V _{IL_WDOG}	-	-	DVDD x 0.25	V	

3.1.5. RTC_RESET_B

RTC_RESET_B is an active-low output for RTC.

Table 3-5. RTC_RESET_B Electrical Characteristics

(Unless otherwise specified, Ta= +25 °C, V_{SY}S=5.0 V, DVDD=3.3 V)

Parameter	Symbol	Limit			Unit	Condition
		Min	Typ	Max		
Output "L" Level Voltage	V _{OL_RTCRESET}	-	-	DVDD x 0.2	V	I _{OL} =3 mA Sink
Output Off Leak Current	I _{OLK_RTCRESET}	-1	-	+1	μA	

3.1.6. POR_B

POR_B is an active-low output for the reset of SoC.

Table 3-6. POR_B Electrical Characteristics

(Unless otherwise specified, Ta= +25 °C, V_{SY}S=5.0 V, DVDD=3.3 V)

Parameter	Symbol	Limit			Unit	Condition
		Min	Typ	Max		
Output "L" Level Voltage	V _{OL_POR}	-	-	DVDD x 0.2	V	I _{OL} =3 mA Sink
Output Off Leak Current	I _{OLK_POR}	-1	-	+1	μA	

3.2. Power States

3.2.1. Power State Diagram

BD71837AMWV has eight power states or modes: OFF, READY, SNVS, RUN, IDLE, SUSPEND, PWROFF and EMG. [Figure 3-2](#) shows the state transition diagram along with the conditions to enter and exit each state. [READY_TO_SNVS](#) Condition is described in [3.2.5.2](#). This condition is configurable by TRANS_CONDO registers. [SNVS_TO_RUN](#) Condition is described in [3.2.5.3](#). This condition is configurable by TRANS_CONDO registers. BD71837AMWV has Thermal Shutdown, OCP, VR Fault, and VSYS_UVLO=0 as Emergency Shutdown events. Emergency Shutdown Condition is described in [3.2.5.9](#). [EMG_TO_READY](#) Condition is described in [3.2.5.12](#). [EMG_STAY](#) Condition is described in [3.2.5.13](#). BD71837AMWV has WDOG_B, SWRESET, and PWRON_B long detection as Cold Reset events. [COLD_RESET](#) Condition is described in [3.2.4.1](#). After cold reset events or [PMIC_ON_REQ=0](#), BD71837AMWV is configurable that it returns to READY or SNVS state. [POFF_TO_READY](#) Condition is described in [3.2.5.16](#). [POFF_TO_SNVS](#) Condition is described in [3.2.5.17](#). Concerning VSYS_UVLO and INTLDO1P5_UVLO, please refer to [2.5](#).

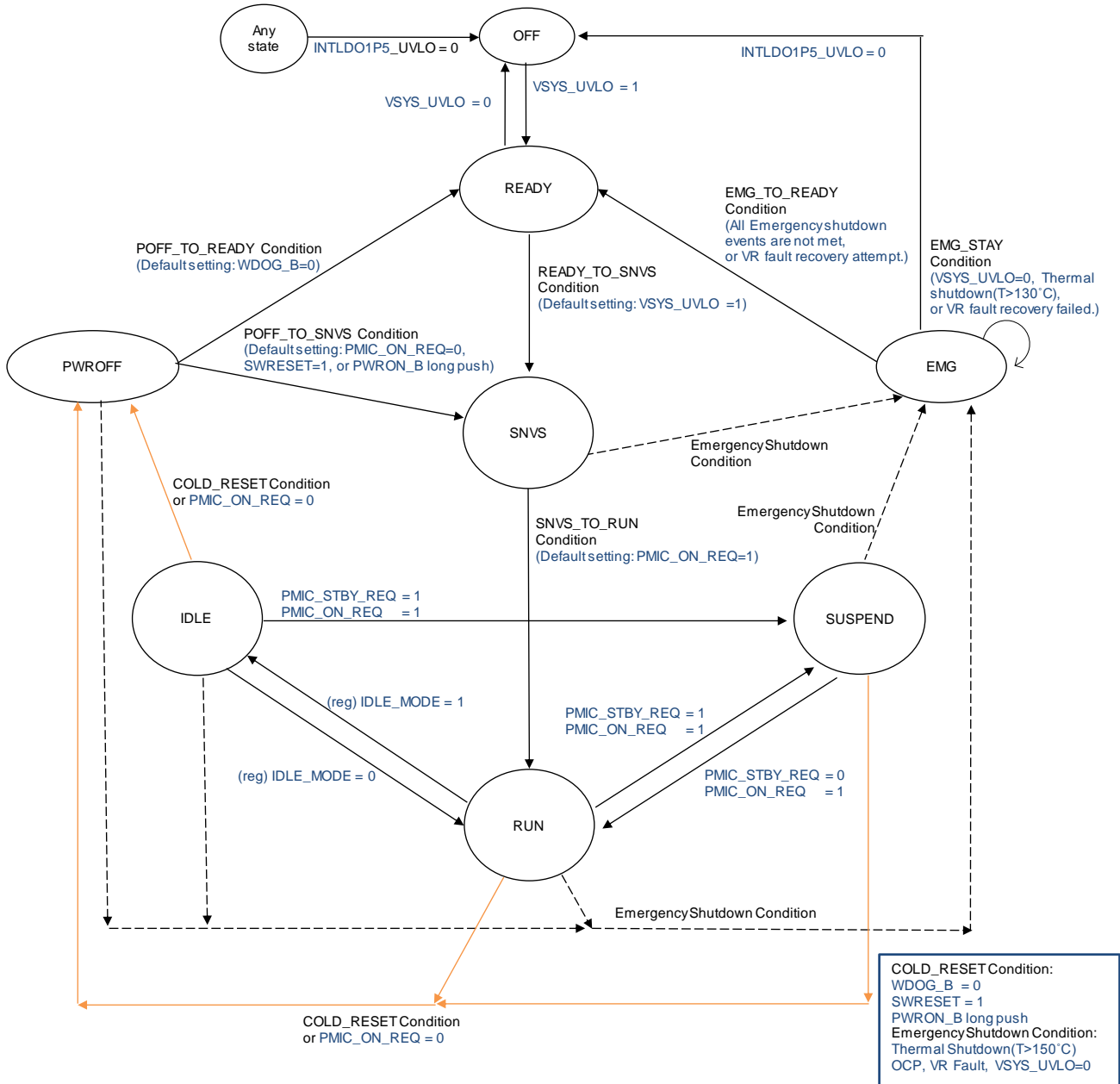


Figure 3-2. Power State Transition

3.2.2. Power State Register

The POW_STATE register shows current power state and power sub state in Table 3-7. The power sub state definition is illustrated in [Figure 3-3](#).

Table 3-7. POW_STATE – Power State Register

Register Name	R/W	D7	D6	D5	D4	D3	D2	D1	D0	Initial	Address
POW_STATE	R	POW_ST[3:0]				-	-	POW_SUB[1:0]		0x00	0x2D

Bit	Name	Function	Initial
D[7:4]	POW_ST[3:0]	This bit field shows current power state. 0x0 = OFF 0x1 = READY 0x2 = SNVS 0x8 = RUN 0x9 = IDLE 0xA = SUSPEND 0xB = PWROFF 0xC = EMG	0000
D[1:0]	POW_SUB[1:0]	This bit field shows current power sub state. 00 = Stable 01 = Up 10 = Down 11 = Counting Cold Reset duration time (set by PONT[3:0])	00

3.2.2. Power State Register – continued

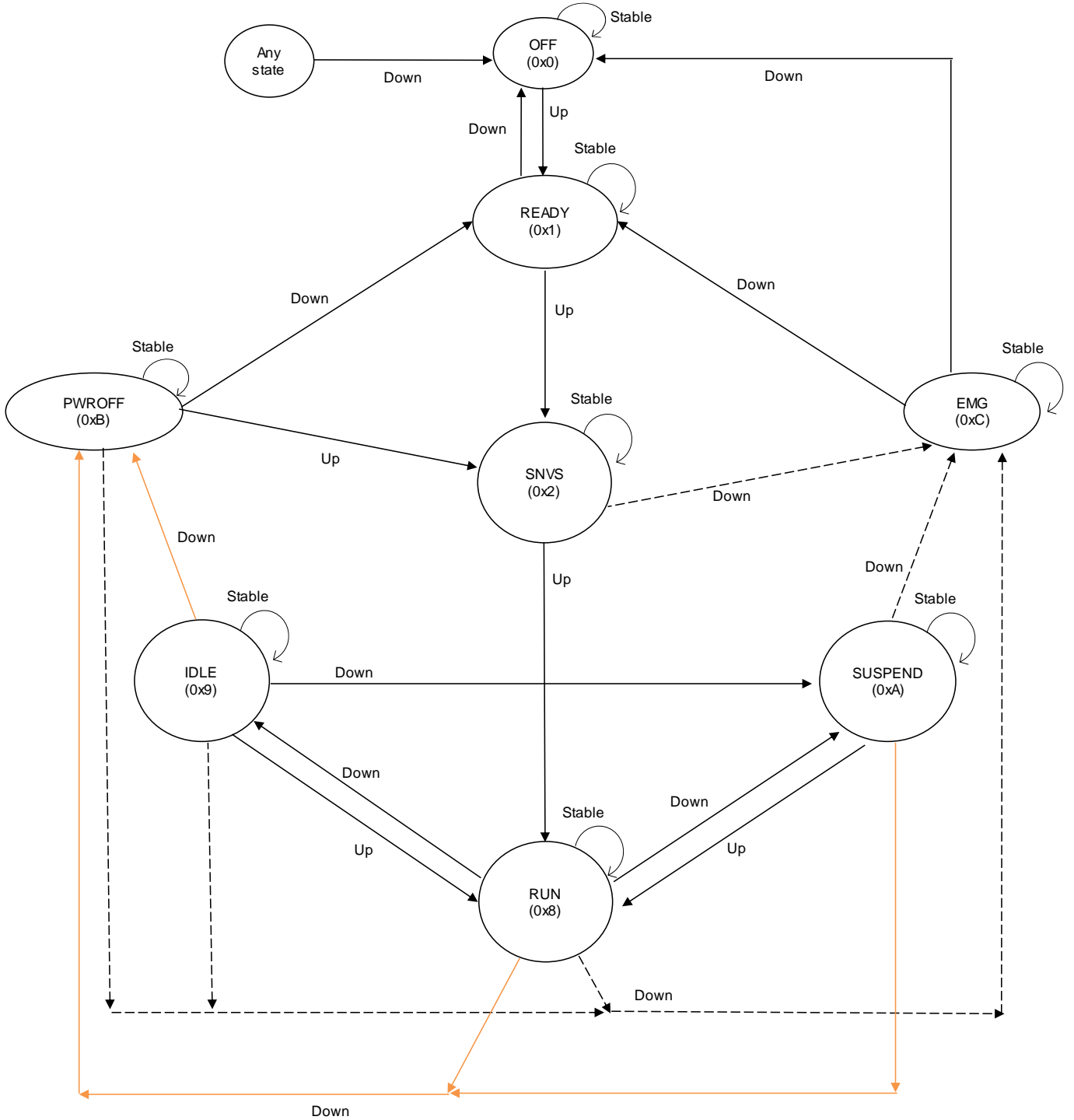


Figure 3-3. Power Sub State Definition

3.2.3. Power State Definition

(a) OFF state

BD71837AMWV is in OFF state when INTLDO1P5_UVLO is detected. If INTLDO1P5_UVLO is 0, the data in all registers are reset to their default values.

To exit this state, VSYS voltage must exceed 3.0 V (VSYS_UVLO = 1)

(b) READY state

In this state, VSYS voltage is over 3.0V. When power state transitions from OFF state to READY state, OTP data will only be loaded to registers with "Yes" in "OTP" column of Register Map ([Table 1-4](#)). When power state transitions from PWROFF or EMG state to READY state, OTP data will only be loaded to registers with reset condition during READY state and "Yes" condition in "OTP" column. This OTP loading can be skipped depending on the value of RELOAD_REG in PWRCTRL0 register.

(c) SNVS state

If READY_TO_SNVS condition is satisfied, the power state changes to SNVS state. In this state, LDO1(NVCC_SNVS) and LDO2(VDD_SNVS) are turned on as shown in [Table 3-8](#).

(d) RUN state

If SNVS_TO_RUN condition is satisfied, the power state changes to RUN state. In this state, the VR's shown in [Table 3-8](#) are turned ON.

The value of BUCK3_RUN_ON in BUCK3_CTRL register decides whether BUCK3(VDD_GPU) is ON or OFF. The value of BUCK4_RUN_ON in BUCK4_CTRL register decides whether BUCK4(VDD_VPU) is ON or OFF.

The voltage of BUCK1(VDD_SOC) depends on BUCK1_VOLT_RUN register.

The voltage of BUCK2(VDD_ARM) depends on BUCK2_VOLT_RUN register.

The voltage of BUCK3(VDD_GPU) depends on BUCK3_VOLT_RUN register.

The voltage of BUCK4(VDD_VPU) depends on BUCK4_VOLT_RUN register.

(e) IDLE state

If IDLE_MODE in PWRCTRL1 register is set to 1, the power state changes to IDLE state. The voltage of BUCK1(VDD_SOC) depends on BUCK1_VOLT_IDLE register. The voltage of BUCK2(VDD_ARM) depends on BUCK2_VOLT_IDLE register.

(f) SUSPEND state

If PMIC_STBY_REQ is set to 1, the power state changes to SUSPEND state. The voltage of BUCK1(VDD_SOC) depends on BUCK1_VOLT_SUSP register.

(g) EMG state

If Emergency Shutdown Condition is satisfied, the power state changes to EMG state. In this state, all VR's are OFF.

(h) PWROFF state

If COLD_RESET Condition is satisfied or PMIC_ON_REQ is reset to 0, the power state changes to PWROFF state. In this state, all VR's except LDO1(NVCC_SNVS) and LDO2(VDD_SNVS) are OFF. The next state of PWROFF is either READY or SNVS. TRANS_COND1[3:0] values decide which power state to go.

3.2.3. Power State Definition – continued

Table 3-8. Voltage Rails ON/OFF for Respective Power State

VR No.	Function	Rail Name	Power State							
			OFF	READY	SNVS	SUSPEND	IDLE	RUN	PWROFF	EMG
VR1	NVCC_SNVS	LDO1	OFF	OFF	ON	ON	ON	ON	ON/OFF	OFF
VR2	VDD_SNVS	LDO2	OFF	OFF	ON	ON	ON	ON	ON/OFF	OFF
VR3	VDD_SOC	BUCK1	OFF	OFF	OFF	ON	ON	ON	OFF	OFF
VR4	VDD_ARM	BUCK2	OFF	OFF	OFF	OFF	ON	ON	OFF	OFF
VR5	VDD_GPU	BUCK3	OFF	OFF	OFF	OFF	OFF	ON/OFF	OFF	OFF
VR6	VDD_VPU	BUCK4	OFF	OFF	OFF	OFF	OFF	ON/OFF	OFF	OFF
VR7	VDD_DRAM	BUCK5	OFF	OFF	OFF	OFF	ON	ON	OFF	OFF
VR8	VDDA_1P8/DRAM	LDO3	OFF	OFF	OFF	ON	ON	ON	OFF	OFF
VR9	VDDA_0P9	LDO4	OFF	OFF	OFF	ON	ON	ON	OFF	OFF
VR10	NVCC_3P3	BUCK6	OFF	OFF	OFF	ON	ON	ON	OFF	OFF
VR11	NVCC_1P8	BUCK7	OFF	OFF	OFF	ON	ON	ON	OFF	OFF
VR12	NVCC_DRAM	BUCK8	OFF	OFF	OFF	ON	ON	ON	OFF	OFF
VR13	PHY_1P8	LDO5	OFF	OFF	OFF	ON	ON	ON	OFF	OFF
VR14	PHY_0P9	LDO6	OFF	OFF	OFF	ON	ON	ON	OFF	OFF
VR15	PHY_3P3	LDO7	OFF	OFF	OFF	ON	ON	ON	OFF	OFF
VR16	NVCC_SD	MUXSW	OFF	OFF	OFF	ON	ON	ON	OFF	OFF

3.2.4. Power State Control Events

3.2.4.1. Reset Event

BD71837AMWV has Cold and Warm resets.

Cold reset initiates POR_B asserted to L and power rails are turned off. Then, the power state changes to either READY state or SNVS state. Next, the power state returns to RUN state automatically.

Warm reset initiates POR_B asserted to L for 1 ms. It does not affect the on/off status of all power rails. Warm reset does not initiate the power state transition.

BD71837AMWV has three reset sources as follows.

- PWRON_B terminal is set H to L. (PWRON_B Long Push reset)
- WDOG_B terminal is set H to L. (WDOG_B reset)
- SWRESET in SWRESET register is set 0 to 1 (Software reset)

The cold or warm reset selection setting is shown in [Table 3-9](#).

The details of the two registers related to the setting are shown in [Table 3-10](#) and [Table 3-11](#).

3.2.4.1. Reset Event – continued

Table 3-9. Setting of Cold or Warm Reset Selection

Reset Source	Register Name	Register Bit Name	Value	Cold/Warm Reset or No Reset
PWRON_B Long Push	PWRCTRL0	DEBUG_STATE[1:0]	10 (default)	Cold reset
			11	Warm reset
			00 or 01	No reset action
WDOG_B	PWRCTRL0	WDOGB_SEL[1:0]	10 (default)	Cold reset
			11	Warm reset
			00 or 01	No reset action
Software	SWRESET	SWRESET_SEL[1:0]	10 (default)	Cold reset
			11	Warm reset
			00 or 01	No reset action

Table 3-10. SWRESET - Software Reset Register

Register Name	R/W	D7	D6	D5	D4	D3	D2	D1	D0	Initial	Address
SWRESET	R/W	-	-	-	-	-	SWRESET_SEL[1:0]	SWRESET	SWRESET	0x04	0x01

Bit	Name	Function	Initial
D[2:1]	SWRESET_SEL[1:0]	Select Cold reset, Warm reset or No reset action when SWRESET bit (D[0]) is set to 1. 00 = No reset action 01 = No reset action 10 = Cold reset 11 = Warm reset	10
D[0]	SWRESET	0 – No action 1 – Initiates Cold Reset or Warm Reset in accordance with SWRESET_SEL bit. Writing 1 to SWRESET bit, then SWRESET bit is automatically cleared to 0 when Cold Reset or Warm Reset operation is completed. Writing 1 to SWRESET bit can be done when Power State = RUN, IDLE and SUSPEND.	0

Table 3-11. PWRCTRL0 - Power Control 0 Register

Register Name	R/W	D7	D6	D5	D4	D3	D2	D1	D0	Initial	Address
PWRCTRL0	R/W	DEBUG_STATE[1:0]		RELOAD_REG	-	-	-	WDOGB_SEL[1:0]		0xA2	0x03

Bit	Name	Function	Initial
D[7:6]	DEBUG_STATE[1:0]	Select Cold reset, Warm reset or No reset action when PWRON_B long push is detected. 00 = No reset action 01 = No reset action 10 = Cold reset 11 = Warm reset	10
D[5]	RELOAD_REG	Select OTP configurable registers initialization when the power state goes through READY state. 0 = No initialization 1 = Reload OTP registers and set to initial value	1
D[1:0]	WDOGB_SEL[1:0]	Select Cold reset, Warm reset or No reset action when WDOG_B is asserted to 0. 00 = No reset action 01 = No reset action 10 = Cold reset 11 = Warm reset	10

3.2.4.2. Emergency Shutdown Event

There are four Emergency Shutdown Events as follows:

- Thermal Shutdown (Thermal Protection)

If the die temperature surpasses 150°C, the thermal protection circuit will shut down all VR's to avoid damage. This detection is not valid at OFF, READY and SNVS state.

- OCP

If the OCP is triggered in any VR's, all VR's are turned off.

- VR Fault

If the voltage of VR is not within the regular range, all VR's are turned off.

- VSYS_UVLO = 0

If the VSYS_UVLO = 0, Emergency Shutdown sequence is initiated.

3.2.5. Power State Transitions**3.2.5.1. OFF to READY**

Table 3-12 shows the conditions for exiting OFF state. "VSYS_UVLO = 1" is necessary.

Table 3-12. Conditions from OFF to READY state

Event Trigger	Conditions (All must be satisfied per Event Trigger)	Next State	Notes
1) VSYS Voltage Up from 0 V or 2.7 V	VSYS_UVLO = 1 (VSYS > 3.0 V)	READY	VSYS Insertion or VSYS recovery from 2.7 V

3.2.5.2. READY to SNVS

There are six event triggers for shifting from READY to SNVS as shown in Table 3-13. The event trigger of VSYS_UVLO, PMIC_ON_REQ, PWRON_B Short Push, and PWRON_B Long Push are configurable to be valid or invalid by TRANS_COND0 registers. VSYS_UVLO condition is valid with default setting.

Table 3-13. Conditions from READY to SNVS

Event Trigger	Conditions (All must be satisfied per Event Trigger)	Next State	Notes
1) VSYS_UVLO	VSYS_UVLO = 1	SNVS	No other event is necessary. Valid with default setting
2) PMIC_ON_REQ	VSYS_UVLO = 1 and PMIC_ON_REQ = 1	SNVS	Invalid with default setting
3) PWRON_B Short Push	VSYS_UVLO = 1 and PWRON_B = 0 ==> Short Push Detection	SNVS	Invalid with default setting
4) PWRON_B Long Push	VSYS_UVLO = 1 and PWRON_B = 0 ==> Long Push Detection	SNVS	Invalid with default setting
5) Cold Reset Sequence	VSYS_UVLO = 1 and Cold_Reset_flag = 1	SNVS	On the way back to RUN state in Cold Reset sequence
6) VR Fault Recovery Attempt	VSYS_UVLO = 1 and VR Fault Recovery	SNVS	

1) VSYS_UVLO

The power state shifts to SNVS if VSYS_UVLO = 1 as shown in Figure 3-4. No other conditions are necessary.

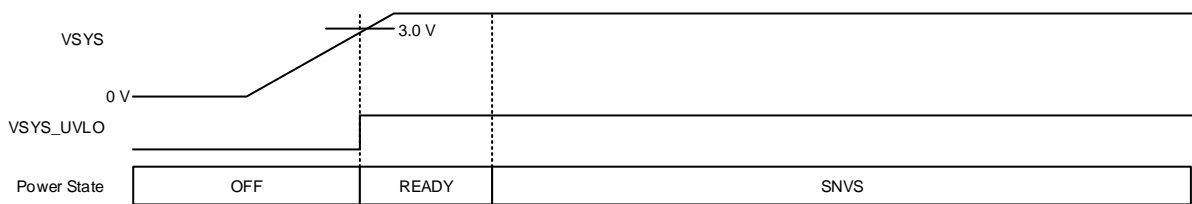


Figure 3-4. VSYS Condition for moving to SNVS

2) PMIC_ON_REQ

The power state shifts to SNVS if PMIC_ON_REQ = 1 as shown in Figure 3-5.

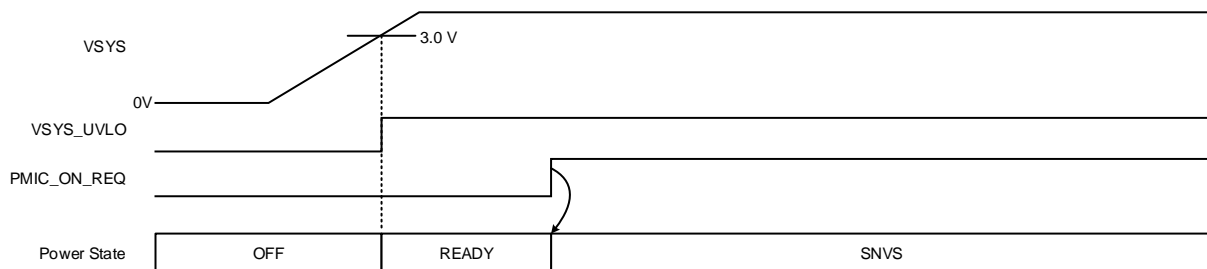


Figure 3-5. PMIC_ON_REQ Condition for moving to SNVS

3.2.5.2. **READY to SNVS – continued**

3) **PWRON_B Short Push**

The power state shifts to SNVS if PWRON_B Short Push is detected as shown in Figure 3-6.

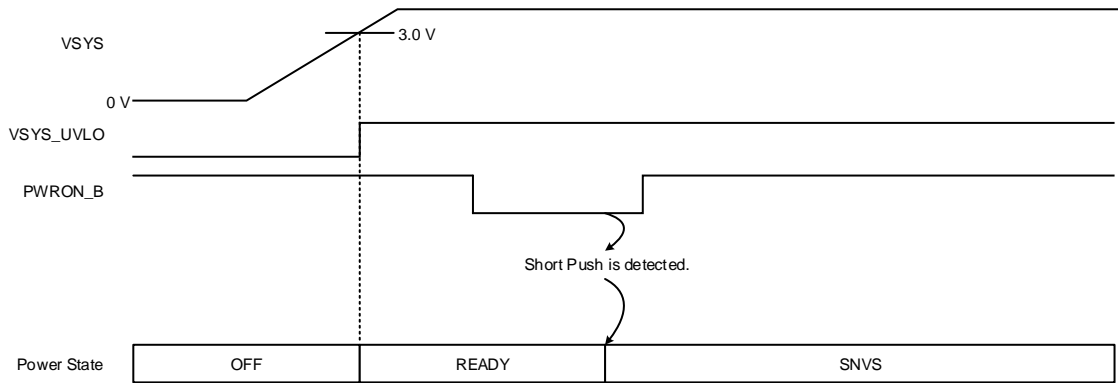


Figure 3-6. PWRON_B Short Push Condition for moving to SNVS

4) **PWRON_B Long Push**

The power state shifts to SNVS if PWRON_B Long Push is detected as shown in Figure 3-7.

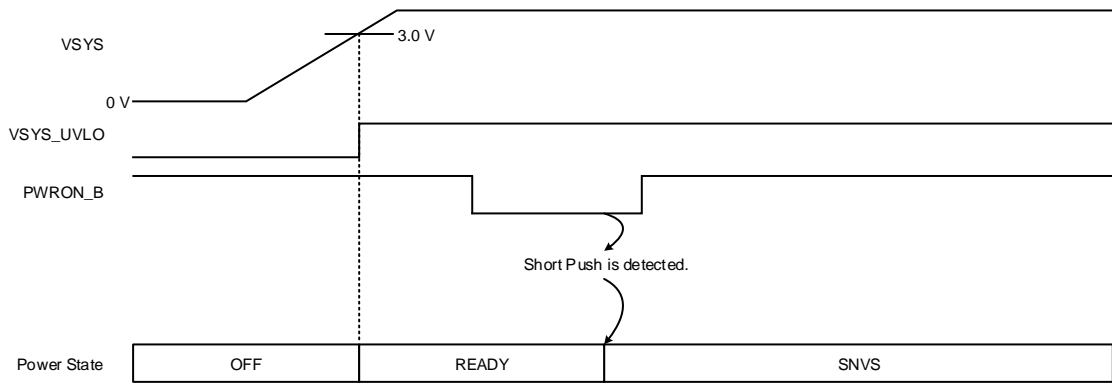


Figure 3-7. PWRON_B Long Push Condition for moving to SNVS

5) **Cold Reset**

The power state shifts to SNVS if Cold_Reset_flag = 1 as shown in Figure 3-8.

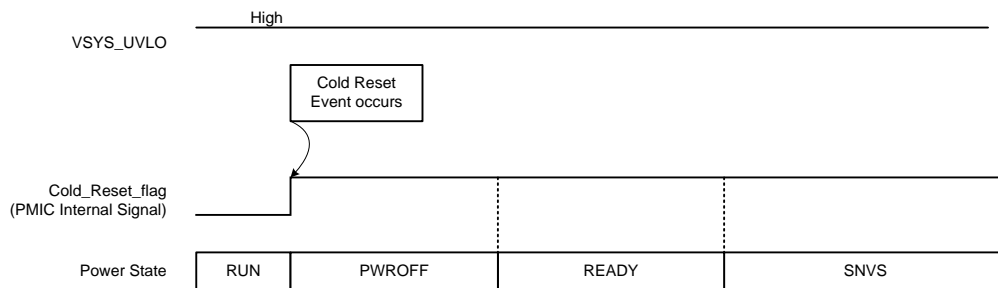


Figure 3-8. Cold Reset Condition for moving to SNVS

3.2.5.2. **READY to SNVS – continued**

6) VR Fault Recovery Attempt

Please see [3.2.5.10](#).

It is possible to use each four event triggers such as:

VSYS_UVLO,

PMIC_ON_REQ,

PWRON_B Short Push and

PWRON_B Long Push

These triggers are configurable to use them respectively by D[3:0] in TRANS_CONDO register as shown in Table 3-14.

Table 3-14. TRANS_CONDO - Transition Condition Select 0 Register

Register Name	R/W	D7	D6	D5	D4	D3	D2	D1	D0	Initial	Address
TRANS_CONDO	R/W	C1_VSYS_3P0_EN	C1_PMIC_ON_REQ_EN	C1_SHORT_PUSH_EN	C1_LONG_PUSH_EN	C0_VSYS_3P0_EN	C0_PMIC_ON_REQ_EN	C0_SHORT_PUSH_EN	C0_LONG_PUSH_EN	0x48	0x1F

Bit	Name	Function	Initial
D[7]	C1_VSYS_3P0_EN	Select only VSYS_UVLO = 1 as SNVS ==> RUN transition condition or not 0 = VSYS_UVLO = 1 is not used as the condition 1 = VSYS_UVLO = 1 is used as the condition	0
D[6]	C1_PMIC_ON_REQ_EN	Select PMIC_ON_REQ as SNVS ==> RUN transition condition or not 0 = PMIC_ON_REQ is not used as the condition 1 = PMIC_ON_REQ is used as the condition	1
D[5]	C1_SHORT_PUSH_EN	Select PWRON_B Short Push as SNVS ==> RUN transition condition or not 0 = PWRON_B Short Push is not used as the condition 1 = PWRON_B Short Push is used as the condition	0
D[4]	C1_LONG_PUSH_EN	Select PWRON_B Long Push as SNVS ==> RUN transition condition or not 0 = PWRON_B Long Push is not used as the condition 1 = PWRON_B Long Push is used as the condition	0
D[3]	C0_VSYS_3P0_EN	Select only VSYS_UVLO = 1 as READY ==> SNVS transition condition or not 0 = VSYS_UVLO = 1 is not used as the condition 1 = VSYS_UVLO = 1 is used as the condition	1
D[2]	C0_PMIC_ON_REQ_EN	Select PMIC_ON_REQ as READY ==> SNVS transition condition or not 0 = PMIC_ON_REQ is not used as the condition 1 = PMIC_ON_REQ is used as the condition	0
D[1]	C0_SHORT_PUSH_EN	Select PWRON_B Short Push as READY ==> SNVS transition condition or not 0 = PWRON_B Short Push is not used as the condition 1 = PWRON_B Short Push is used as the condition	0
D[0]	C0_LONG_PUSH_EN	Select PWRON_B Long Push as READY ==> SNVS transition condition or not 0 = PWRON_B Long Push is not used as the condition 1 = PWRON_B Long Push is used as the condition	0

3.2.5.3. SNVS to RUN

There are six event triggers for shifting from SNVS to RUN as shown in Table 3-15. The event trigger of VSYS_UVLO=1, PMIC_ON_REQ, PWRON_B Short Push, and PWRON_B Long Push are configurable to be valid or invalid by TRANS_COND0 registers. PMIC_ON_REQ condition is valid with default setting.

Table 3-15. Conditions from SNVS to RUN

Event Trigger	Conditions (All must be satisfied per Event Trigger)	Next State	Notes
1) VSYS_UVLO	VSYS_UVLO = 1	RUN	No other event is necessary. Invalid with default setting
2) PMIC_ON_REQ	VSYS_UVLO = 1 and PMIC_ON_REQ = 1	RUN	Valid with default setting
3) PWRON_B Short Push	VSYS_UVLO = 1 and PWRON_B = 0 ==> Short Push Detection	RUN	Invalid with default setting
4) PWRON_B Long Push	VSYS_UVLO = 1 and PWRON_B = 0 ==> Long Push Detection	RUN	Invalid with default setting
5) Cold Reset Sequence	VSYS_UVLO = 1 and Cold_Reset_flag = 1	RUN	On the way back to RUN state in Cold Reset sequence
6) VR Fault Recovery Attempt	VSYS_UVLO = 1 and VR Fault Recovery	RUN	

(Note) Die Temperature must be less than 150 °C.

1) VSYS_UVLO

The power state shifts to RUN if VSYS_UVLO = 1 as shown in Figure 3-9. No other condition is required.

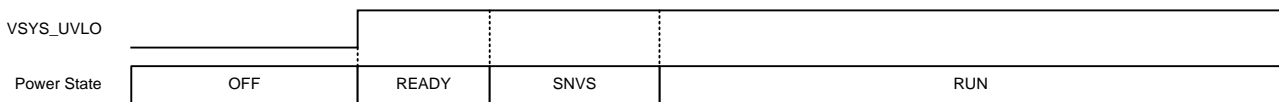


Figure 3-9. VSYS Condition for moving to RUN

2) PMIC_ON_REQ

The power state shifts to RUN if PMIC_ON_REQ = 1 as shown in Figure 3-10.

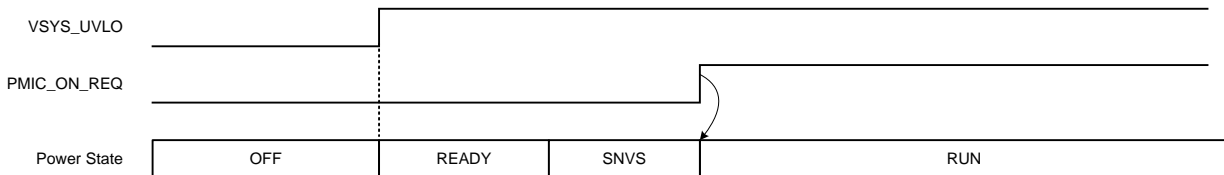


Figure 3-10. PMIC_ON_REQ Condition for moving to RUN

3.2.5.3. SNVS to RUN – continued

3) PWRON_B Short Push

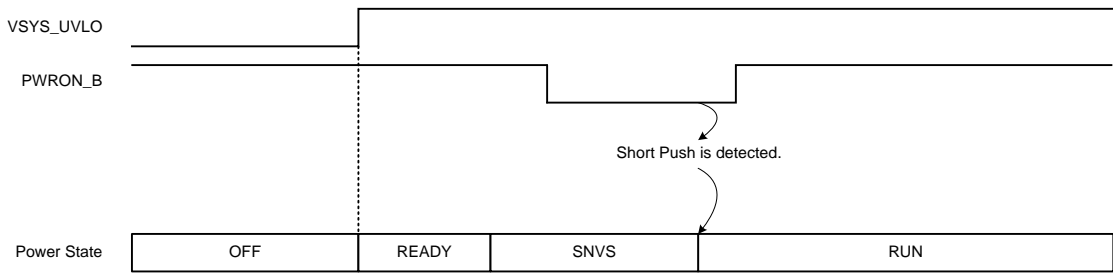


Figure 3-11. PWRON_B Short Push Condition for moving to RUN

4) PWRON_B Long Push

The power state shifts to RUN if PWRON_B Long Push is detected as shown in Figure 3-12.

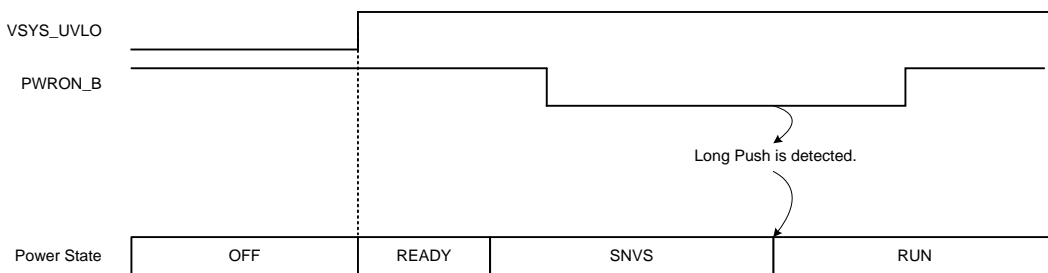


Figure 3-12. PWRON_B Long Push Condition for moving to RUN

5) Cold Reset

The power state shifts to RUN if Cold_Reset_flag = 1 as shown in Figure 3-13.

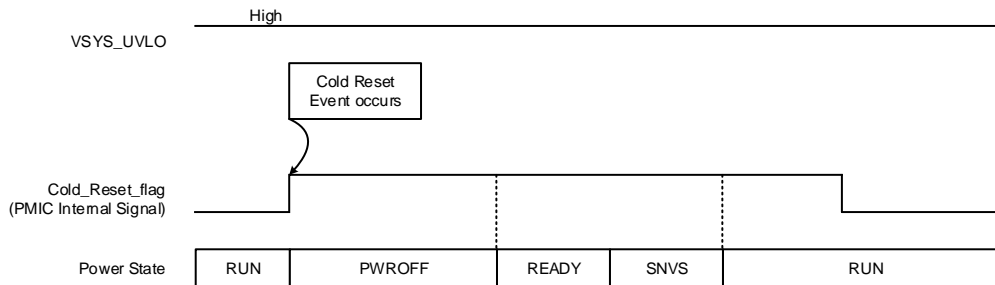


Figure 3-13. Cold Reset Condition for moving to RUN

6) VR Fault Recovery Attempt

Please see [3.2.5.10](#).

It is possible to use each four event triggers such as:

- VSYS_UVLO,
- PMIC_ON_REQ,
- PWRON_B Short Push and
- PWRON_B Long Push

These triggers are configurable to use them respectively by D[7:4] in TRANS_COND0 register as shown in [Table 3-14](#).

3.2.5.4. RUN to IDLE

Table 3-16 shows the conditions for shifting from RUN to IDLE. The details of PWRCTRL1 register were described in Table 3-17.

Table 3-16. Conditions from RUN to IDLE

Event Trigger	Conditions (All must be satisfied)	Next State	Notes
Set IDLE_MODE (PWRCTRL1 register) = 1	PMIC_STBY_REQ = 0	IDLE	Register Write Operation
	PMIC_ON_REQ = 1		
	Set IDLE_MODE = 1		

(Note) Die Temperature must be less than 150 °C. VSYS_UVLO = 1.

Table 3-17. PWRCTRL1 - Power Control 1 Register

Register Name	R/W	D7	D6	D5	D4	D3	D2	D1	D0	Initial	Address
PWRCTRL1	R/W	-	-	-	-	-	-	-	IDLE_MODE	0x00	0x04

Bit	Name	Function	Initial
D[0]	IDLE_MODE	Control power state transition between RUN and IDLE 0 = Exit IDLE and back to RUN, or indicates power state = except IDLE 1 = Enter IDLE from RUN, or indicates power state = IDLE Note : this bit automatically returns to 0 when power state enters PWROFF, EMG and SUSPEND.	0

3.2.5.5. IDLE to RUN

Table 3-18 shows the conditions for shifting from IDLE to RUN.

Table 3-18. Conditions from IDLE to RUN

Event Trigger	Conditions (All must be satisfied)	Next State	Notes
Set IDLE_MODE (PWRCTRL1 register) = 0	PMIC_STBY_REQ = 0	RUN	Register Write Operation
	PMIC_ON_REQ = 1		
	Set IDLE_MODE = 0		

(Note) Die Temperature must be less than 150 °C. VSYS_UVLO = 1.

3.2.5.6. RUN to SUSPEND

Table 3-19 shows the conditions for shifting from RUN to SUSPEND.

Table 3-19. Conditions from RUN to SUSPEND

Event Trigger	Conditions (All must be satisfied)	Next State	Notes
PMIC_STBY_REQ	PMIC_STBY_REQ = 1	SUSPEND	
	PMIC_ON_REQ = 1		

(Note) Die Temperature must be less than 150 °C. VSYS_UVLO = 1.

3.2.5.7. SUSPEND to RUN

Table 3-20 shows the conditions for shifting from SUSPEND to RUN.

Table 3-20. Conditions from SUSPEND to RUN

Event Trigger	Conditions (All must be satisfied)	Next State	Notes
PMIC_STBY_REQ	PMIC_STBY_REQ = 0	RUN	
	PMIC_ON_REQ = 1		

(Note) Die Temperature must be less than 150 °C. VSYS_UVLO = 1.

3.2.5.8. IDLE to SUSPEND

Table 3-21 shows the conditions for shifting from IDLE to SUSPEND. IDLE_MODE in PWRCTRL1 register automatically returns to 0.

Table 3-21. Conditions from IDLE to SUSPEND

Event Trigger	Conditions (All must be satisfied)	Next State	Notes
PMIC_STBY_REQ	PMIC_STBY_REQ = 1 PMIC_ON_REQ = 1	SUSPEND	

(Note) Die Temperature must be less than 150 °C. VSYS_UVLO = 1.

3.2.5.9. Emergency Shutdown

There are four Emergency Shutdown events which are:

Thermal Shutdown (Thermal Protection)

OCP

VR Fault

VSYS_UVLO = 0 as shown in Table 3-22.

Table 3-22. Conditions from SNVS, RUN, IDLE, SUSPEND, PWROFF to EMG

Event Trigger	Conditions (All must be satisfied per Event Trigger)	Next State	Notes
1) Thermal Shutdown	Die Temperature > 150 °C	EMG	Thermal Protection This protection is invalid at OFF, READY, and SNVS state
2) OCP	Any VR's OCP	EMG	
3) VR Fault	Any VR's out of the target voltage	EMG	
4) VSYS_UVLO = 0	VSYS_UVLO = 0	EMG	

The detail of VR Fault is described in [3.2.5.10](#).

3.2.5.10. VR Fault

BD71837AMWV has VR fault detection function which monitors all relevant VR's of the system. The system is shut down when a monitored voltage rail goes out of the target voltage. Once the system has shut down, the system tries to boot up several times which is determined by RCVLMT[3:0] in RCVCFG register. Table 3-23 shows the VR fault threshold and monitoring conditions.

Table 3-23. VR FAULT threshold and monitoring condition

VR No.	Function	Rail Name	SNVS		SUSPEND		IDLE		RUN	
			Monitor Y/N	Voltage Target Range	Monitor Y/N	Voltage Target Range	Monitor Y/N	Voltage Target Range	Monitor Y/N	Voltage Target Range
VR1	NVCC_SNVS	LDO1	Y	80% < LDO1	Y	80% < LDO1	Y	80% < LDO1	Y	80% < LDO1
VR2	VDD_SNVS	LDO2	Y	80% < LDO2	Y	80% < LDO2	Y	80% < LDO2	Y	80% < LDO2
VR3	VDD_SOC	BUCK1	N	-	Y	80% < BUCK1 < 130%	Y	80% < BUCK1 < 130%	Y	80% < BUCK1 < 130%
VR4	VDD_ARM	BUCK2	N	-	N	-	Y	80% < BUCK2 < 130%	Y	80% < BUCK2 < 130%
VR5	VDD_GPU	BUCK3	N	-	N	-	N	-	Y when ON	80% < BUCK3 < 130%
VR6	VDD_VPU	BUCK4	N	-	N	-	N	-	Y when ON	80% < BUCK4 < 130%
VR7	VDD_DRAM	BUCK5	N	-	N	-	Y	80% < BUCK5 < 130%	Y	80% < BUCK5 < 130%
VR8	VDDA_1P8/DRAM	LDO3	N	-	Y	80% < LDO3	Y	80% < LDO3	Y	80% < LDO3
VR9	VDDA_0P9	LDO4	N	-	Y	80% < LDO4	Y	80% < LDO4	Y	80% < LDO4
VR10	NVCC_3P3	BUCK6	N	-	Y	80% < BUCK6 < 130%	Y	80% < BUCK6 < 130%	Y	80% < BUCK6 < 130%
VR11	NVCC_1P8	BUCK7	N	-	Y	80% < BUCK7 < 130%	Y	80% < BUCK7 < 130%	Y	80% < BUCK7 < 130%
VR12	NVCC_DRAM	BUCK8	N	-	Y	80% < BUCK8 < 130%	Y	80% < BUCK8 < 130%	Y	80% < BUCK8 < 130%
VR13	PHY_1P8	LDO5	N	-	Y	80% < LDO5	Y	80% < LDO5	Y	80% < LDO5
VR14	PHY_0P9	LDO6	N	-	Y	80% < LDO6	Y	80% < LDO6	Y	80% < LDO6
VR15	PHY_3P3	LDO7	N	-	Y	80% < LDO7	Y	80% < LDO7	Y	80% < LDO7

Y: VR output is monitored to trigger VR Fault Emergency Shutdown sequence.

N: Not monitored at default (If the VR is turned ON by changing the register setting, its output is monitored for the VR Fault event trigger)

3.2.5.10. VR Fault – continued

BD71837AMWV monitors each rail. If a monitored VR goes out of the target voltage in a certain time, the system will shut down. When the system cannot shift to RUN state after Power ON sequence several times which is defined by RCVLMT[3:0] in RCVCFG register, the system stays at EMG state until INTLDO1P5_UVLO = 0.

If a VR is turned OFF by VR control registers (BUCK1 to BUCK8 and LDO1 to LDO7), VR fault of that VR is masked.

BD71837AMWV has VR individual masking registers as shown in Table 3-25, Table 3-26 and Table 3-27. This masking function is used for mainly debugging in development phase.

Table 3-24. VRFAULTEN - VR FAULT ON/OFF Register: Debugging Purpose

Register Name	R/W	D7	D6	D5	D4	D3	D2	D1	D0	Initial	Address
VRFAULTEN	R/W	-	-	-	-	-	-	-	VRFLTEN	0x01	0x21

Bit	Name	Function	Initial
D[0]	VRFLTEN	VR Fault enable bit 0 = VR Fault is disabled. 1 = VR Fault is enabled. This bit is used for debugging purpose. Please do not set 0x00 in normal operation.	1

Table 3-25. MVRFLTMASK0 - VR FAULT Mask 0 Register

Register Name	R/W	D7	D6	D5	D4	D3	D2	D1	D0	Initial	Address
MVRFLTMASK0	R/W	MBUCK8_VOUTOKH	MBUCK8_VOUTOKL	MBUCK7_VOUTOKH	MBUCK7_VOUTOKL	MBUCK6_VOUTOKH	MBUCK6_VOUTOKL	MBUCK5_VOUTOKH	MBUCK5_VOUTOKL	0x00	0x22

Bit	Name	Function	Initial
D[7]	MBUCK8_VOUTOKH	Masking bit of BUCK8 130% threshold for target voltage 0 = monitoring 130% threshold 1 = masked 130% threshold	0
D[6]	MBUCK8_VOUTOKL	Masking bit of BUCK8 80% threshold for target voltage 0 = monitoring 80% threshold 1 = masked 80% threshold	0
D[5]	MBUCK7_VOUTOKH	Masking bit of BUCK7 130% threshold for target voltage 0 = monitoring 130% threshold 1 = masked 130% threshold	0
D[4]	MBUCK7_VOUTOKL	Masking bit of BUCK7 80% threshold for target voltage 0 = monitoring 80% threshold 1 = masked 80% threshold	0
D[3]	MBUCK6_VOUTOKH	Masking bit of BUCK6 130% threshold for target voltage 0 = monitoring 130% threshold 1 = masked 130% threshold	0
D[2]	MBUCK6_VOUTOKL	Masking bit of BUCK6 80% threshold for target voltage 0 = monitoring 80% threshold 1 = masked 80% threshold	0
D[1]	MBUCK5_VOUTOKH	Masking bit of BUCK5 130% threshold for target voltage 0 = monitoring 130% threshold 1 = masked 130% threshold	0
D[0]	MBUCK5_VOUTOKL	Masking bit of BUCK5 80% threshold for target voltage 0 = monitoring 80% threshold 1 = masked 80% threshold	0

3.2.5.10. VR Fault – continued

Table 3-26. MVRFLTMASK1 - VR FAULT Mask 1 Register

Register Name	R/W	D7	D6	D5	D4	D3	D2	D1	D0	Initial	Address
MVRFLTMASK1	R/W	MBUCK4_VOUTOKH	MBUCK4_VOUTOKL	MBUCK3_VOUTOKH	MBUCK3_VOUTOKL	MBUCK2_VOUTOKH	MBUCK2_VOUTOKL	MBUCK1_VOUTOKH	MBUCK1_VOUTOKL	0x00	0x23

Bit	Name	Function	Initial
D[7]	MBUCK4_VOUTOKH	Masking bit of BUCK4 130% threshold for target voltage 0 = monitoring 130% threshold 1 = masked 130% threshold	0
D[6]	MBUCK4_VOUTOKL	Masking bit of BUCK4 80% threshold for target voltage 0 = monitoring 80% threshold 1 = masked 80% threshold	0
D[5]	MBUCK3_VOUTOKH	Masking bit of BUCK3 130% threshold for target voltage 0 = monitoring 130% threshold 1 = masked 130% threshold	0
D[4]	MBUCK3_VOUTOKL	Masking bit of BUCK3 80% threshold for target voltage 0 = monitoring 80% threshold 1 = masked 80% threshold	0
D[3]	MBUCK2_VOUTOKH	Masking bit of BUCK2 130% threshold for target voltage 0 = monitoring 130% threshold 1 = masked 130% threshold	0
D[2]	MBUCK2_VOUTOKL	Masking bit of BUCK2 80% threshold for target voltage 0 = monitoring 80% threshold 1 = masked 80% threshold	0
D[1]	MBUCK1_VOUTOKH	Masking bit of BUCK1 130% threshold for target voltage 0 = monitoring 130% threshold 1 = masked 130% threshold	0
D[0]	MBUCK1_VOUTOKL	Masking bit of BUCK1 80% threshold for target voltage 0 = monitoring 80% threshold 1 = masked 80% threshold	0

Table 3-27. MVRFLTMASK2 - VR FAULT Mask 2 Register

Register Name	R/W	D7	D6	D5	D4	D3	D2	D1	D0	Initial	Address
MVRFLTMASK2	R/W	-	MLDO7_VOUTOKL	MLDO6_VOUTOKL	MLDO5_VOUTOKL	MLDO4_VOUTOKL	MLDO3_VOUTOKL	MLDO2_VOUTOKL	MLDO1_VOUTOKL	0x00	0x24

Bit	Name	Function	Initial
D[6]	MLDO7_VOUTOKL	Masking bit of LDO7 80% threshold for target voltage 0 = monitoring 80% threshold 1 = masked 80% threshold	0
D[5]	MLDO6_VOUTOKL	Masking bit of LDO6 80% threshold for target voltage 0 = monitoring 80% threshold 1 = masked 80% threshold	0
D[4]	MLDO5_VOUTOKL	Masking bit of LDO5 80% threshold for target voltage 0 = monitoring 80% threshold 1 = masked 80% threshold	0
D[3]	MLDO4_VOUTOKL	Masking bit of LDO4 80% threshold for target voltage 0 = monitoring 80% threshold 1 = masked 80% threshold	0
D[2]	MLDO3_VOUTOKL	Masking bit of LDO3 80% threshold for target voltage 0 = monitoring 80% threshold 1 = masked 80% threshold	0
D[1]	MLDO2_VOUTOKL	Masking bit of LDO2 80% threshold for target voltage 0 = monitoring 80% threshold 1 = masked 80% threshold	0
D[0]	MLDO1_VOUTOKL	Masking bit of LDO1 80% threshold for target voltage 0 = monitoring 80% threshold 1 = masked 80% threshold	0

Following a VR Fault and an Emergency Shutdown sequence, BD71837AMWV stays in READY state for a programmed time which is specified by RCVDT[3:0] of RCVCFG register. Power ON sequence is then initiated once RCVDT[3:0] time has elapsed.

To prevent an infinite loop of VR Fault induced power cycles, BD71837AMWV limits the number of attempts to recover the system by RCVLMT[3:0] of RCVCFG register when these failures occur. Once BD71837AMWV has attempted to recover from a VR Fault for a number of times which is specified by RCVLMT[3:0], the next VR Fault results in BD71837AMWV staying in EMG state until INTLDO1P5_UVLO = 0.

The ability to reset RCVNUM register which tracks the number of VR Fault recovery attempts via I2C is supported. This will allow the SoC to reset this count value when needed.

3.2.5.10. VR Fault – continued

Table 3-28. RCVCFG - Recovery Configuration Register

Register Name	R/W	D7	D6	D5	D4	D3	D2	D1	D0	Initial	Address
RCVCFG	R/W	RCVLMT[3:0]				RCVDT[3:0]				0x4C	0x25

Bit	Name	Function	Initial
D[7:4]	RCVLMT[3:0]	The limit number of attempts to recover the system after a VR Fault occurred. 0000 = No recovery. BD71837AMWV stays in EMG state until VSYS is triggered again. 0001 = 1 time 0010 = 2 times 0011 = 3 times 0100 = 4 times : 1110 = 14 times 1111 = No limit of attempts to recover	0100
D[3:0]	RCVDT[3:0]	The duration time during which BD71837AMWV stays in READY state after a VR Fault event. BD71837AMWV remains in READY state for the duration programmed here then BD71837AMWV performs a Power ON sequence, if RCVLMT[3:0] is not 0x0 or 0xF and RCVLMT[3:0] is not equal to RCVNUM[3:0] of RCVNUM register. 0000 = 5 ms 0001 = 10 ms 0010 = 15 ms 0011 = 20 ms 0100 = 25 ms 0101 = 30 ms 0110 = 35 ms 0111 = 40 ms 1000 = 45 ms 1001 = 50 ms 1010 = 75 ms 1011 = 100 ms 1100 = 250 ms 1101 = 500 ms 1110 = 750 ms 1111 = 1500 ms	1100

Table 3-29. RCVNUM - Recovery Number Register

Register Name	R/W	D7	D6	D5	D4	D3	D2	D1	D0	Initial	Address
RCVNUM	R/W	-	-	-	-	RCVNUM[3:0]				0x00	0x26

Bit	Name	Function	Initial
D[3:0]	RCVNUM[3:0]	The number of attempts to recover the system after a VR Fault occurred. Once BD71837AMWV has attempted to recover from a power failure times which is indicated in RCVLMT[3:0] in RCVCFG register, the next failure shall result in BD71837AMWV staying in EMG state until VSYS is triggered again. When SoC writes RCVNUM register via I2C, then RCVNUM[3:0] is cleared to 0000. As a result, the tracking number of power failure recovery attempts is reset. Note : When RCVLMT[3:0] = 0xF (no limit of attempts to recover) and the number of attempt is over 0xF, RCVNUM[3:0] value is fixed to 0xF.	0000

3.2.5.10. VR Fault – continued

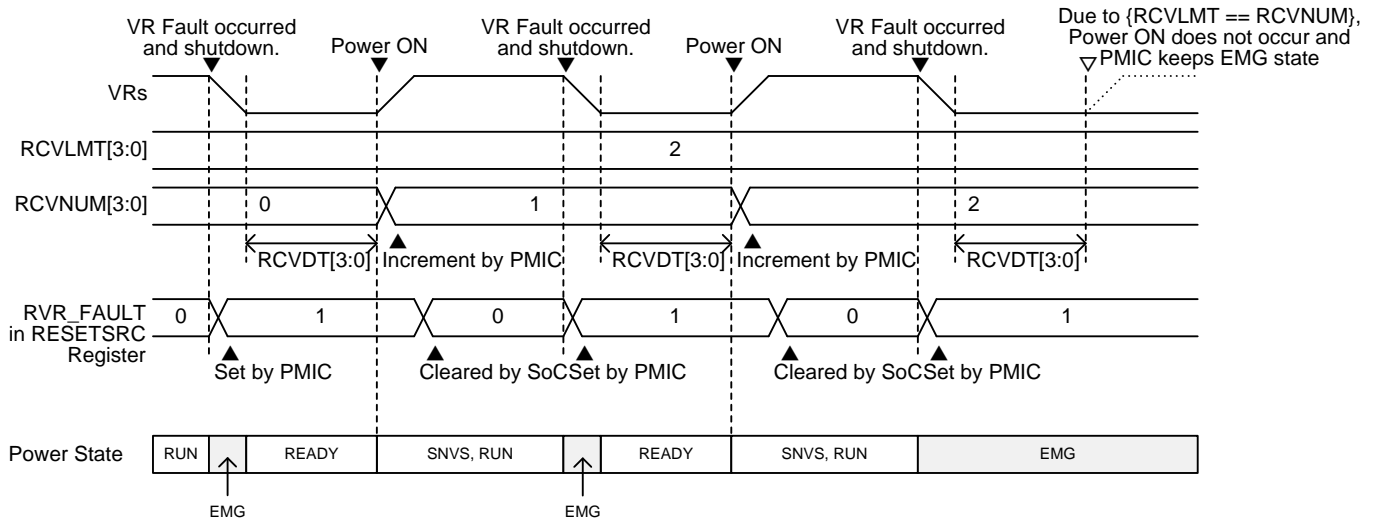


Figure 3-14. Example of VR Fault and Recovery Sequence (RCVLMT[3:0] = 2)

3.2.5.11. EMG to OFF

Table 3-30 shows the conditions for shifting from EMG to OFF. If INTLDO1P5_UVLO = 0 after entry to EMG, the power state immediately goes to OFF as shown in Figure 3-15.

Table 3-30. Conditions from EMG to OFF

Event Trigger	Conditions (All must be satisfied per Event Trigger)	Next State	Notes
VSYS Voltage Low	INTLDO1P5_UVLO = 0	OFF	

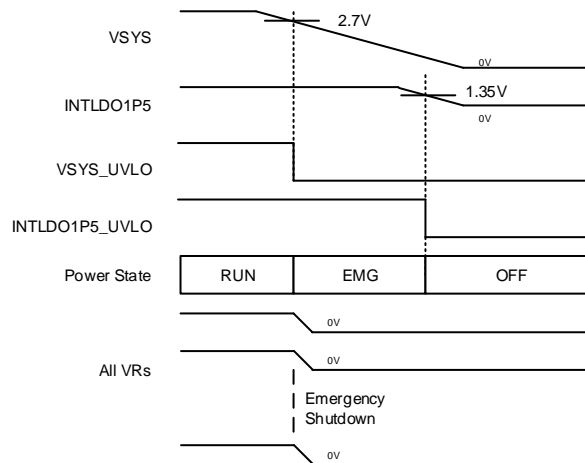


Figure 3-15. EMG to OFF Power State Transition

3.2.5.12. **EMG to READY**

Table 3-31 shows the conditions for shifting from EMG to READY. Basically, the power state can exit EMG when no emergency events are found as shown in [Figure 3-14](#), [Figure 3-16](#), and [Figure 3-17](#).

Table 3-31. Conditions from EMG to READY

Event Trigger	Conditions (All must be satisfied per Event Trigger)	Next State	Notes
1) No Emergency Event	VSYS_UVLO = 1	READY	
	Die Temperature < 150 °C		
	No OCP		
	No VR Fault		
2) VR Fault Recovery Attempt	VSYS_UVLO = 1	READY	
	Die Temperature < 150 °C		
	During VR Fault Recovery Attempt		

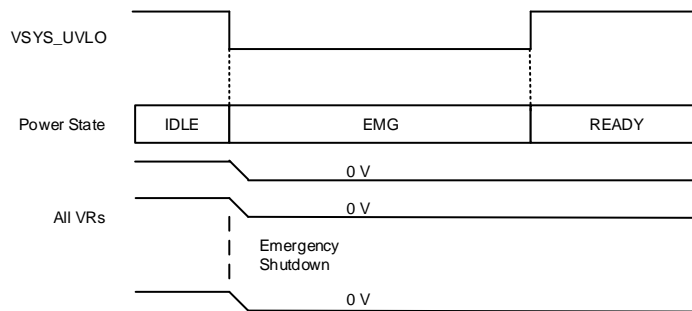


Figure 3-16. EMG to READY Power State Transition (VSYS_UVLO)

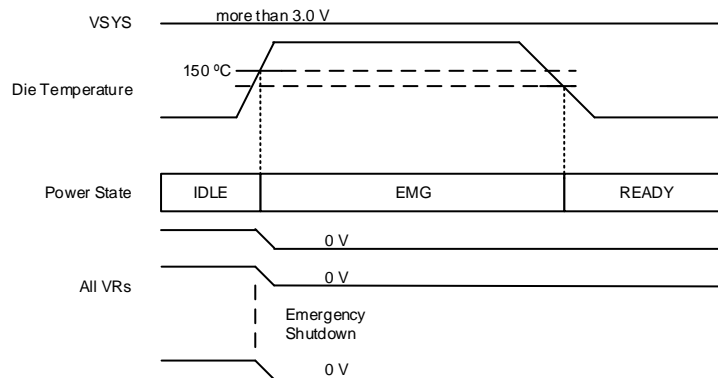


Figure 3-17. EMG to READY Power State Transition (Die Temperature)

3.2.5.13. EMG_STAY Condition

Table 3-32 shows the conditions for staying at EMG. Basically, the power state stays at EMG when emergency events are found as shown in [Figure 3-14](#), [Figure 3-16](#), and [Figure 3-17](#).

Note: In case of 3) VR Fault Recovery Failure in Table 3-32; in order to exit EMG, VSYS voltage must be less than 2.7V and then the power state goes to OFF.

Table 3-32. Conditions for Stay at EMG

Event Trigger	Conditions (All must be satisfied per Event Trigger)	Next State	Notes
1) VSYS < 2.7 V	VSYS_UVLO = 0	EMG	
	INTLDO1P5_UVLO = 1		
2) Thermal Shutdown	Die Temperature > 150 °C	EMG	Thermal Protection
	INTLDO1P5_UVLO = 1		
3) VR Fault Recovery Failure	VR Fault Recovery Attempt Failed	EMG	
	INTLDO1P5_UVLO = 1		

3.2.5.14. Warm Reset

Warm Reset is executed when the power state = RUN, IDLE and SUSPEND.

Warm Reset set POR_B = L for 1 ms as shown in Figure 3-18.

Please refer to the [Table 3-9](#) for necessary register setting.

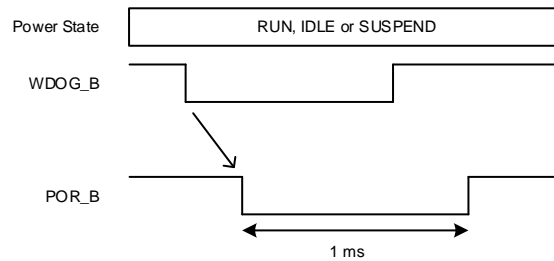


Figure 3-18. Warm Reset by WDOG_B

3.2.5.15. PWROFF

Table 3-33 shows the conditions for shifting from RUN, IDLE, SUSPEND to PWROFF.

When the power state is PWROFF, BD71837AMWV runs Power OFF sequence and VR's are turned OFF in a defined sequential order.

In the end of the sequence, the on-off state of C32K_OUT, RTC_RESET_B, LDO2 and LDO1 depends on the setting of TRANS_COND1 register as shown in Table 3-34. The summary is shown in [Table 3-35](#).

Table 3-33. Conditions from RUN, IDLE, SUSPEND to PWROFF

Event Trigger	Conditions (All must be satisfied per Event Trigger)	Next State	Notes
1) PWRON_B Long Push	PWRON_B = 0 ==> Long Push Detection	PWROFF	COLD_RESET event
2) WDOG_B	WDOG_B = 0	PWROFF	COLD_RESET event
3) Software Reset	Write 1 to SWRESET in SWRESET register	PWROFF	COLD_RESET event
4) PMIC_ON_REQ	PMIC_ON_REQ = 0	PWROFF	

(Note) Die Temperature must be less than 150 °C. VSYS_UVLO = 1.

Table 3-34. TRANS_COND1 - Transition Condition Select 1 Register

Register Name	R/W	D7	D6	D5	D4	D3	D2	D1	D0	Initial	Address
TRANS_COND1	R/W	PONT[3:0]				PWRON_ POFF_TO_ READY	WDOG_ POFF_TO_ READY	SWRST_ POFF_TO_ READY	ON_REQ_ POFF_TO_ READY	0xC4	0x20

Bit	Name	Function	Initial
D[7:4]	PONT[3:0]	COLD RESET duration during which the BD71837AMWV stays in READY or SNVS in a COLD RESET event. The BD71837AMWV remains in READY or SNVS for the duration programmed here then BD71837AMWV performs a Power ON sequence. 0000 = 5 ms 0001 = 10 ms 0010 = 15 ms 0011 = 20 ms 0100 = 25 ms 0101 = 30 ms 0110 = 35 ms 0111 = 40 ms 1000 = 45 ms 1001 = 50 ms 1010 = 75 ms 1011 = 100 ms 1100 = 250 ms 1101 = 500 ms 1110 = 750 ms 1111 = 1500 ms	1100
D[3]	PWRON_ POFF_TO_READY	Set which power state to go after PWROFF triggered by PWRON_B Long Push 0 = to SNVS 1 = to READY	0
D[2]	WDOG_ POFF_TO_READY	Set which power state to go after PWROFF triggered by WDOG_B = 0 0 = to SNVS 1 = to READY	1
D[1]	SWRST_ POFF_TO_READY	Set which power state to go after PWROFF triggered by Software Reset 0 = to SNVS 1 = to READY	0
D[0]	ON_REQ_ POFF_TO_READY	Set which power state to go after PWROFF triggered by PMIC_ON_REQ = 0 0 = to SNVS 1 = to READY	0

3.2.5.15. PWROFF – continued

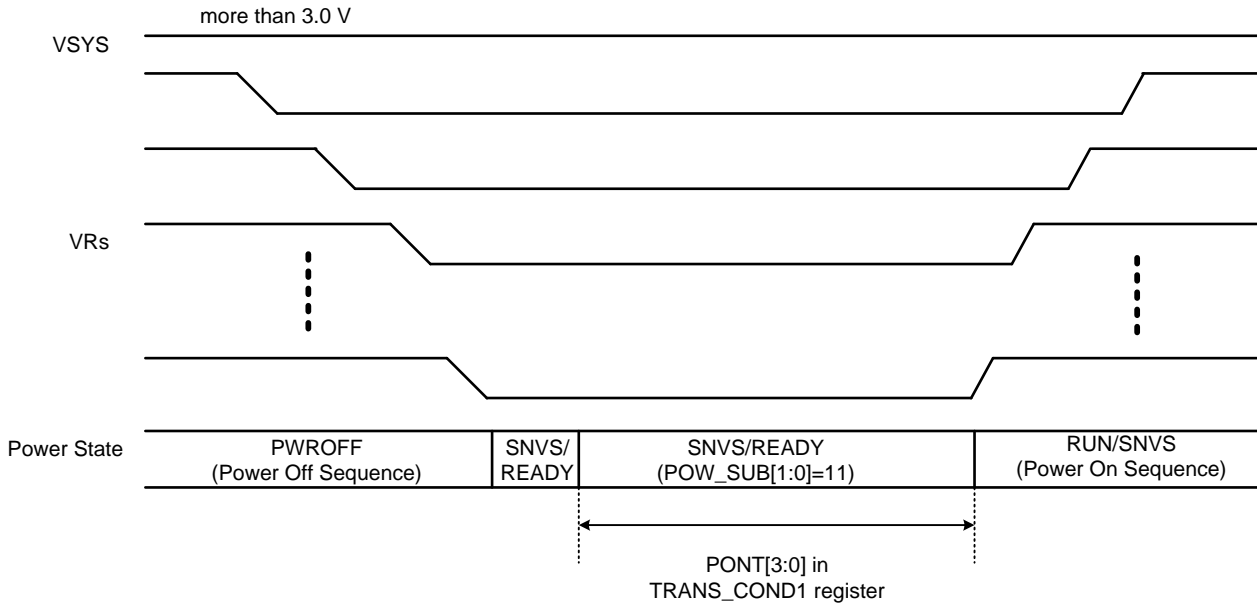


Figure 3-19. Cold Reset Duration Time set by PONT[3:0]

Table 3-35. VR Summary After Power OFF Sequence

PWROFF trigger	PWRON_POFF_TO_READY	WDOG_POFF_TO_READY	SWRST_POFF_TO_READY	ON_REQ_POFF_TO_READY	C32K_OUT	RTC_RESET_B	LDO2	LDO1
PWRON_B Long Push	0	-	-	-	On	High	On	On
	1	-	-	-	Off	Low	Off	Off
WDOG_B = 0	-	0	-	-	On	High	On	On
	-	1	-	-	Off	Low	Off	Off
Software Reset	-	-	0	-	On	High	On	On
	-	-	1	-	Off	Low	Off	Off
PMIC_ON_REQ = 0	-	-	-	0	On	High	On	On
	-	-	-	1	Off	Low	Off	Off

3.2.5.16. PWROFF to READY

After the completion of Power OFF sequence, the power state goes READY if the POFF_TO_READY = 1. This is in accordance with PWROFF trigger event in the TRANS_COND1 register.

3.2.5.17. PWROFF to SNVS

After the completion of Power OFF sequence, the power state goes SNVS if the POFF_TO_READY = 0. This is in accordance with PWROFF trigger event in the TRANS_COND1 register.

3.2.5.18. PWRON_B Functionality

The system has a button that can be used for triggering the system to power on or off. PWRON_B is an active-low input to BD71837AMWV. Timer circuitry measures the length of time the button is pressed. Then the timer detects short push and long push events.

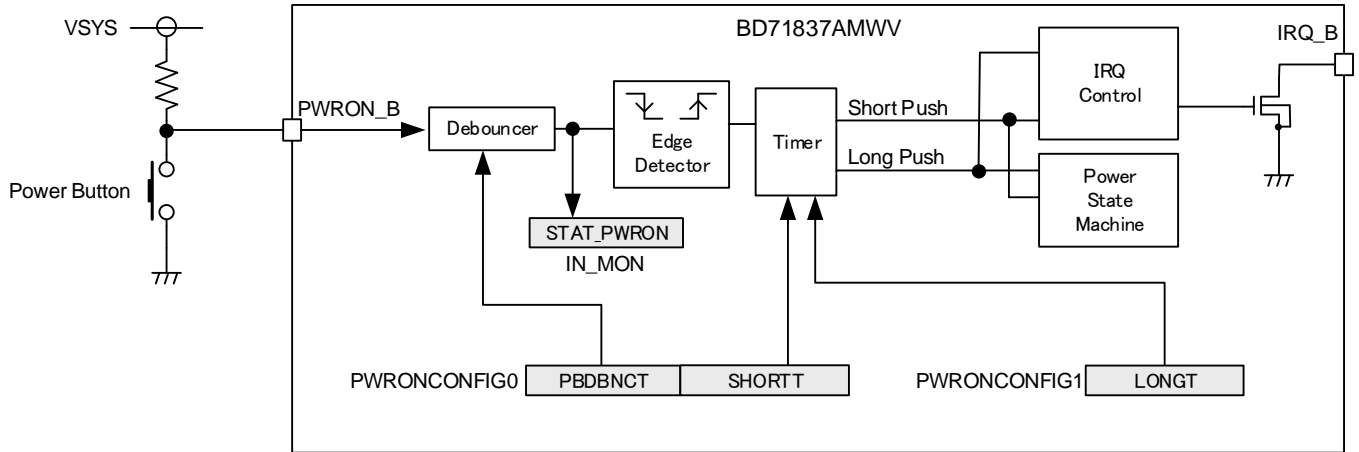


Figure 3-20. Power Button Block Diagram

Table 3-36. PWRONCONFIG0 - PWRON_B Configuration 0 Register

Register Name	R/W	D7	D6	D5	D4	D3	D2	D1	D0	Initial	Address
PWRONCONFIG0	R/W	-	-	PBDBNCT[1:0]		SHORTT[3:0]				0x16	0x27
Bit	Name	Function								Initial	
D[5:4]	PBDBNCT[1:0]	PWRON_B Input Pin Debounce Time 00 = 10 ms 01 = 30 ms(default) 10 = 60 ms 11 = 100 ms								01	
D[3:0]	SHORTT[3:0]	Short Push Timer : 0000 = 10 ms 0001 = 0.5 s 0010 = 1.0 s 0011 = 1.5 s 0100 = 2.0 s 0101 = 2.5 s 0110 = 3.0 s (default) 0111 = 3.5 s 1000 = 4.0 s 1001 = 4.5 s 1010 = 5.0 s 1011 = 5.5 s 1100 = 6.0 s 1101 = 6.5 s 1110 = 7.0 s 1111 = 7.5 s								0110	

3.2.5.18. PWRON_B Functionality – continued

Table 3-37. PWRONCONFIG1 - PWRON_B Configuration 1 Register

Register Name	R/W	D7	D6	D5	D4	D3	D2	D1	D0	Initial	Address
PWRONCONFIG1	R/W	-	-	-	-	LONGT[3:0]				0x0A	0x28

Bit	Name	Function	Initial
D[3:0]	LONGT[3:0]	Long Push Timer : 0000 = 10 ms 0001 = 1 s 0010 = 2 s 0011 = 3 s 0100 = 4 s 0101 = 5 s 0110 = 6 s 0111 = 7 s 1000 = 8 s 1001 = 9 s 1010 = 10 s (default) 1011 = 11 s 1100 = 12 s 1101 = 13 s 1110 = 14 s 1111 = 15 s	1010

3.3. Power Sequence

3.3.1. Power ON Sequence

Figure 3-21 shows an example when TRANS_COND0 = 0x48, which are:
 READY to SNVS condition : VSYS_UVLO = 1
 SNVS to RUN condition : PMIC_ON_REQ

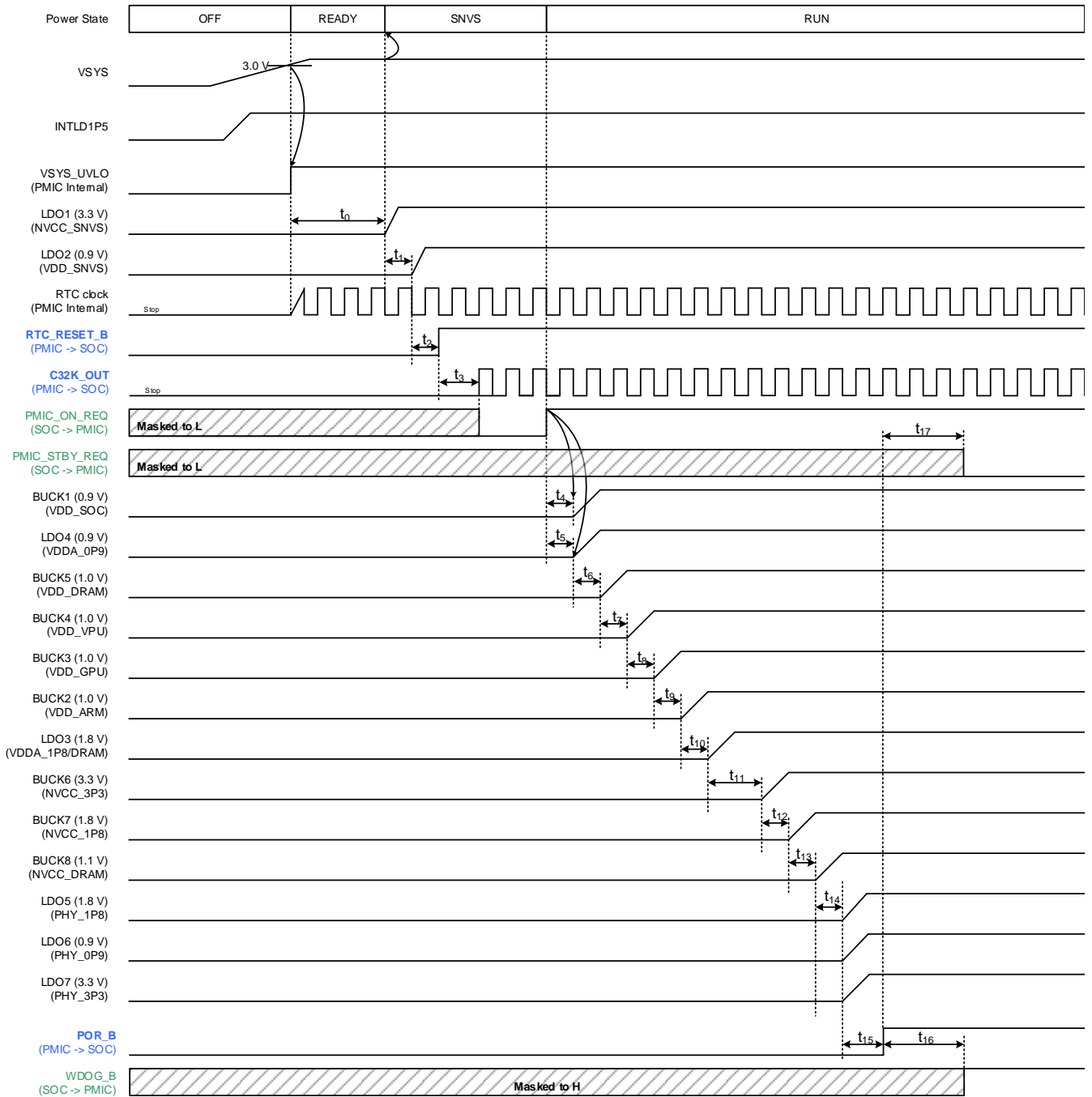


Figure 3-21. Power ON Sequence

3.3.1. Power ON Sequence – continued

Table 3-38. Power ON Sequence Timing Specification

Symbol	Description	Min	Typ	Max	Unit
t ₀	VSYS = 3.0 V to LDO1 Assert Delay	0	20	22	ms
t ₁	LDO1 Assert to LDO2 Assert Delay	0	1.0	1.2	ms
t ₂	LDO2 Assert to RTC_RESET_B De-assert Delay	0	10	12	ms
t ₃	RTC_RESET_B De-assert to C32K_OUT Output Delay	0	40	90	μs
t ₄	PMIC_ON_REQ Assert to BUCK1 Assert Delay	0	125	200	μs
t ₅	PMIC_ON_REQ Assert to LDO4 Assert Delay	0	140	220	μs
t ₆	LDO4 Assert to BUCK5 Assert Delay	0	1.0	1.2	ms
t ₇	BUCK5 Assert to BUCK4 Assert Delay	0	1.0	1.2	ms
t ₈	BUCK4 Assert to BUCK3 Assert Delay	0	1.0	1.2	ms
t ₉	BUCK3 Assert to BUCK2 Assert Delay	0	1.0	1.2	ms
t ₁₀	BUCK2 Assert to LDO3 Assert Delay	0	1.0	1.2	ms
t ₁₁	LDO3 Assert to BUCK6 Assert Delay	0	1.0	1.2	ms
t ₁₂	BUCK6 Assert to BUCK7 Assert Delay	0	1.0	1.2	ms
t ₁₃	BUCK7 Assert to BUCK8 Assert Delay	0	2.0	2.4	ms
t ₁₄	BUCK8 Assert to LDO5,6,7 De-assert Delay	0	2.0	2.4	ms
t ₁₅	LDO5,6,7 Assert to POR_B De-assert Delay	0	4.0	4.8	ms
t ₁₆	POR_B De-assert to WDOG_B Internal Mask Disabled	0	10	12	ms
t ₁₇	POR_B De-assert to PMIC_STBY_REQ Internal Mask Disabled	0	10	12	ms

3.3.2. Power OFF Sequence

Figure 3-22 shows an example when triggered by PMIC_ON_REQ when ON_REQ_POFF_TO_READY = 0 in TRANS_COND1 register.

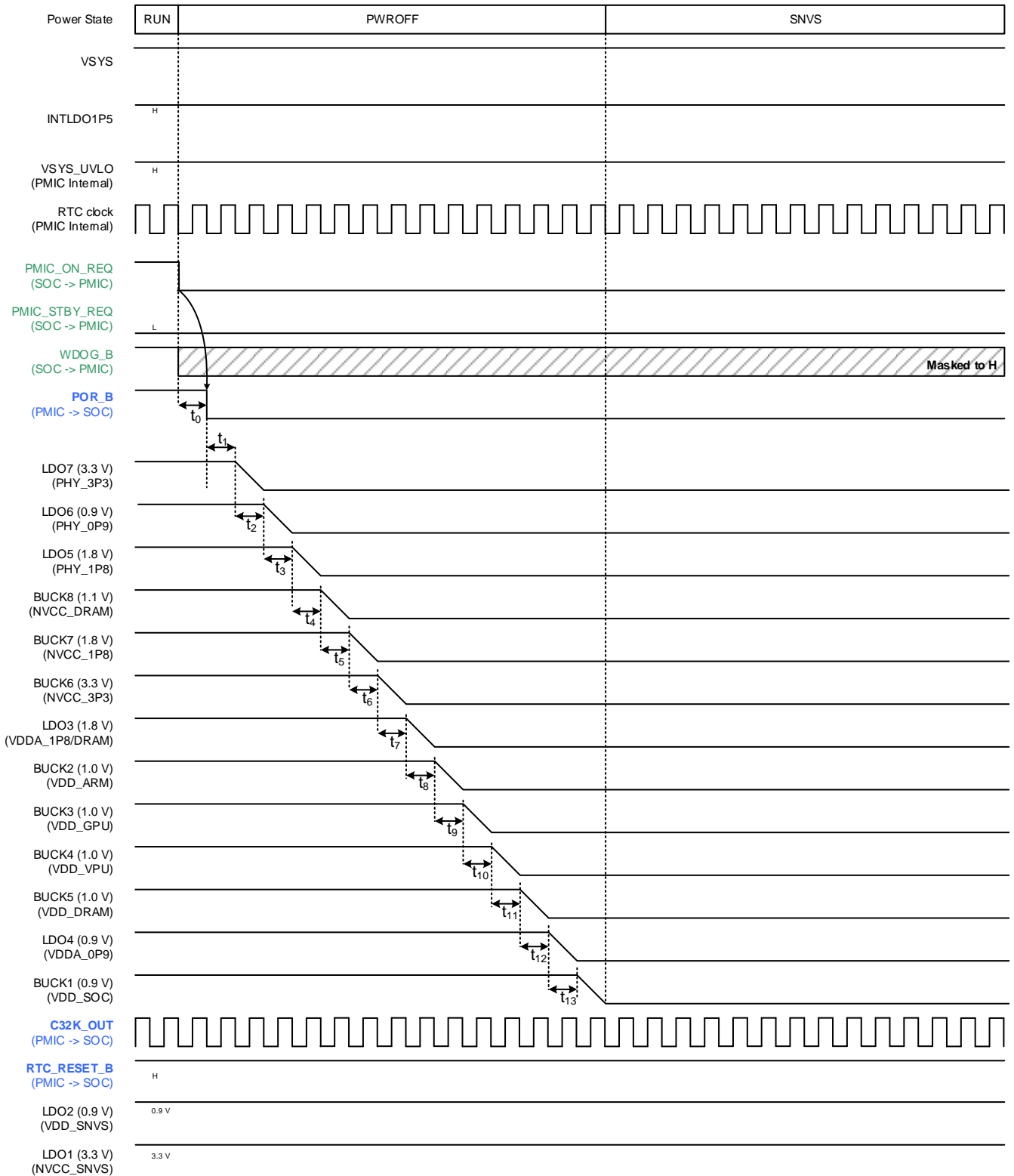


Figure 3-22. Power OFF Sequence (To SNVS)

3.3.2. Power OFF Sequence – continued

Table 3-39. Power OFF Sequence Timing Specification (To SNVS)

Symbol	Description	Min	Typ	Max	Unit
t ₀	PMIC_ON_REQ De-assert to POR_B Assert Delay	0	120	200	μs
t ₁	POR_B De-assert to LDO7 De-assert Delay	0	10	12	ms
t ₂	LDO7 De-assert to LDO6 De-assert Delay	0	10	12	ms
t ₃	LDO6 De-assert to LDO5 De-assert Delay	0	10	12	ms
t ₄	LDO5 De-assert to BUCK8 De-assert Delay	0	10	12	ms
t ₅	BUCK8 De-assert to BUCK7 De-assert Delay	0	30	35	ms
t ₆	BUCK7 De-assert to BUCK6 De-assert Delay	0	10	12	ms
t ₇	BUCK6 De-assert to LDO3 De-assert Delay	0	10	12	ms
t ₈	LDO3 De-assert to BUCK2 De-assert delay	0	10	12	ms
t ₉	BUCK2 De-assert to BUCK3 De-assert Delay	0	10	12	ms
t ₁₀	BUCK3 De-assert to BUCK4 De-assert Delay	0	10	12	ms
t ₁₁	BUCK4 De-assert to BUCK5 De-assert Delay	0	10	12	ms
t ₁₂	BUCK5 De-assert to LDO4 De-assert Delay	0	10	12	ms
t ₁₃	LDO4 De-assert to BUCK1 De-assert delay	0	10	12	ms

3.3.2. Power OFF Sequence – continued

Figure 3-23 shows an example when triggered by PMIC_ON_REQ when ON_REQ_POFF_TO_READY = 1 in TRANS_COND1 register.

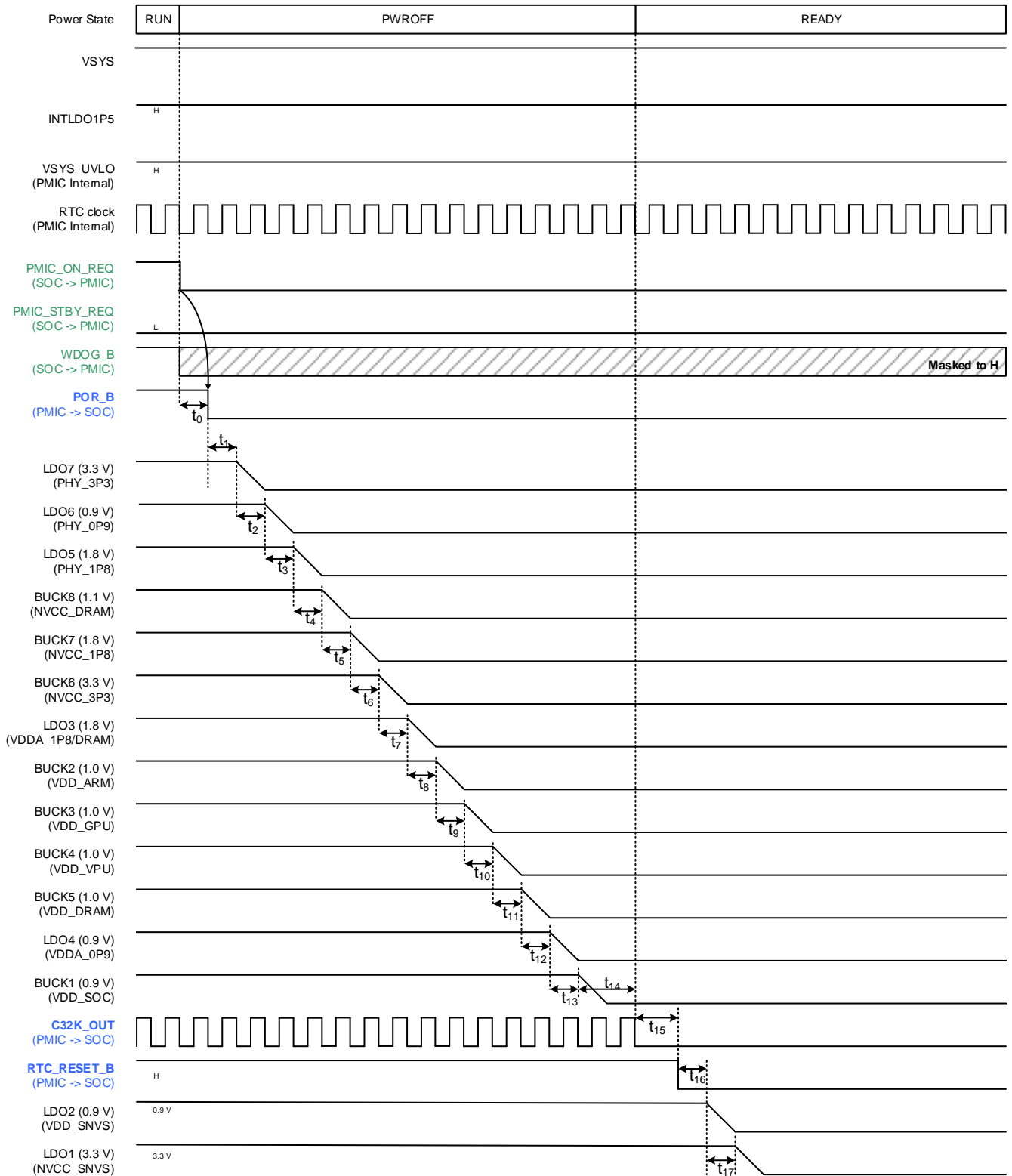


Figure 3-23. Power OFF Sequence (To READY)

3.3.2. Power OFF Sequence – continued

Table 3-40. Power OFF Sequence Timing Specification (To READY)

Symbol	Description	Min	Typ	Max	Unit
t ₀	PMIC_ON_REQ De-assert to POR_B Assert Delay	0	120	200	μs
t ₁	POR_B Assert to LDO7 De-assert Delay	0	10	12	ms
t ₂	LDO7 De-assert to LDO6 De-assert Delay	0	10	12	ms
t ₃	LDO6 De-assert to LDO5 De-assert Delay	0	10	12	ms
t ₄	LDO5 De-assert to BUCK8 De-assert Delay	0	10	12	ms
t ₅	BUCK8 De-assert to BUCK7 De-assert Delay	0	30	35	ms
t ₆	BUCK7 De-assert to BUCK6 De-assert Delay	0	10	12	ms
t ₇	BUCK6 De-assert to LDO3 De-assert Delay	0	10	12	ms
t ₈	LDO3 De-assert to BUCK2 De-assert Delay	0	10	12	ms
t ₉	BUCK2 De-assert to BUCK3 De-assert Delay	0	10	12	ms
t ₁₀	BUCK3 De-assert to BUCK4 De-assert Delay	0	10	12	ms
t ₁₁	BUCK4 De-assert to BUCK5 De-assert Delay	0	10	12	ms
t ₁₂	BUCK5 De-assert to LDO4 De-assert Delay	0	10	12	ms
t ₁₃	LDO4 De-assert to BUCK1 De-assert Delay	0	10	12	ms
t ₁₄	BUCK1 De-assert to C32K_OUT Output Stop Delay	0	10	12	ms
t ₁₅	C32K_OUT Output Stop to RTC_RESET_B Assert Delay	0	10	12	ms
t ₁₆	RTC_RESET_B Assert to LDO2 De-assert Delay	0	10	12	ms
t ₁₇	LDO2 De-assert to LDO1 De-assert Delay	0	10	12	ms

3.3.3. RUN to IDLE

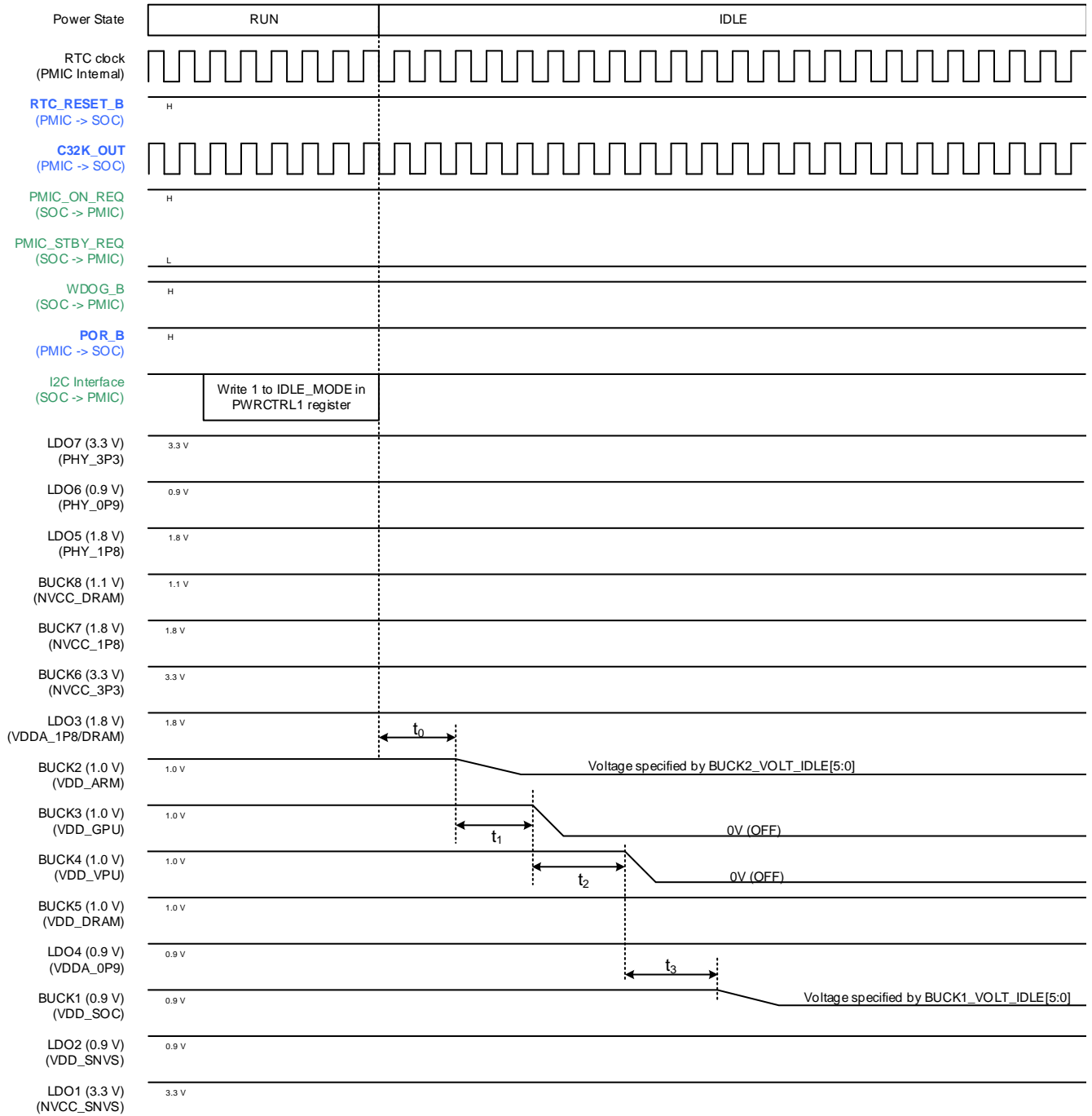


Figure 3-24. RUN to IDLE

Table 3-41. RUN to IDLE Timing Specification

Symbol	Description	Min	Typ	Max	Unit
t_0	End of I2C Access to BUCK2 Voltage Change Start	0	120	200	μ s
t_1	BUCK2 Voltage Change Start to BUCK3 De-assert Delay	0	120	200	μ s
t_2	BUCK3 De-assert to BUCK4 De-assert Delay	0	1.0	1.2	ms
t_3	BUCK4 De-assert to BUCK1 Voltage Change Start	0	1.0	1.2	ms

3.3.4. IDLE to RUN

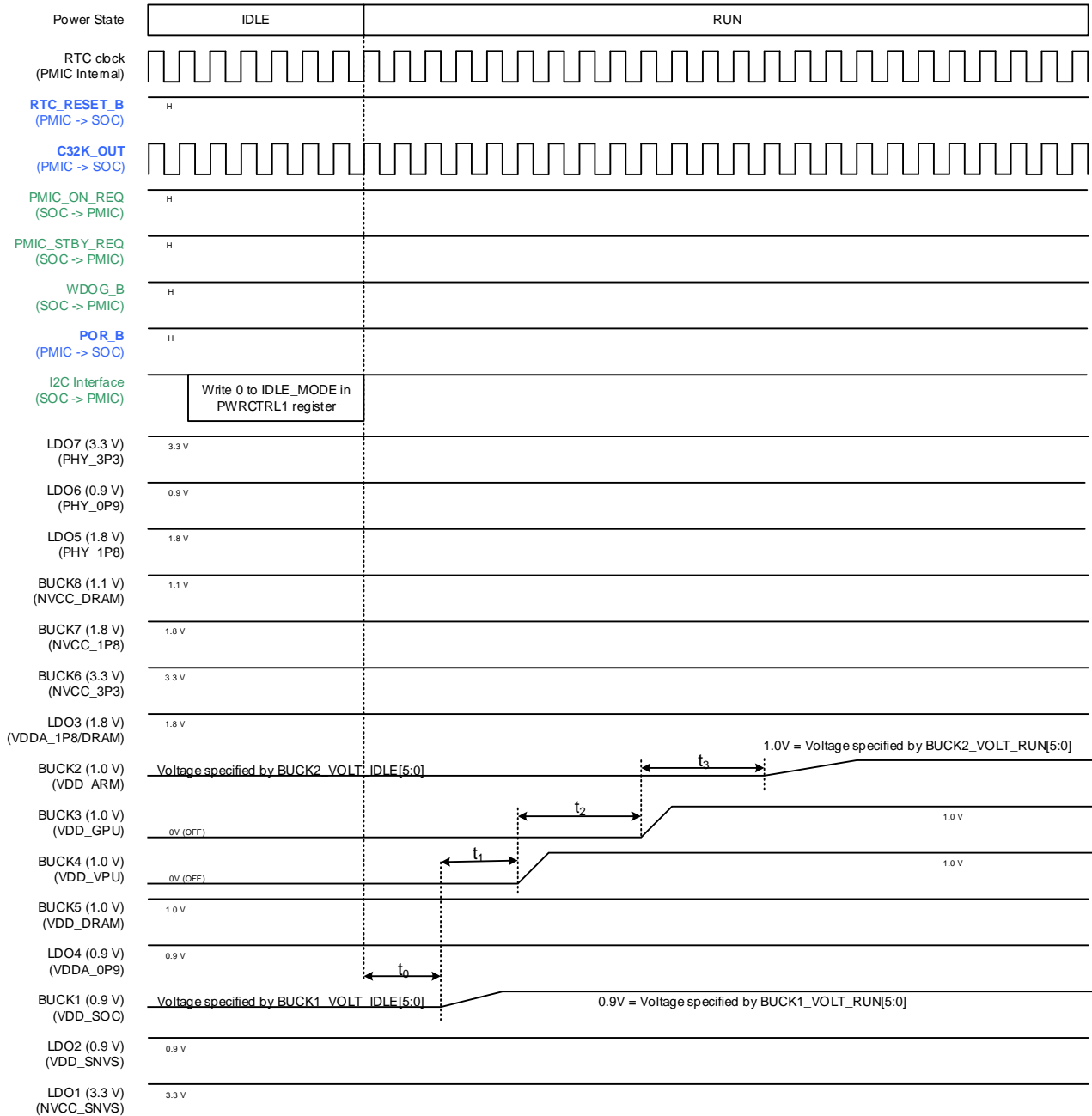


Figure 3-25. IDLE to RUN

Table 3-42. IDLE to RUN Timing Specification

Symbol	Description	Min	Typ	Max	Unit
t_0	End of I2C Access to BUCK1 Voltage Change Start	0	120	200	μ s
t_1	BUCK1 Voltage Change Start to BUCK4 Assert Delay	0	120	200	μ s
t_2	BUCK4 Assert to BUCK3 Assert Delay	0	1.0	1.2	ms
t_3	BUCK3 Assert to BUCK2 Voltage Change Start	0	1.0	1.2	ms

3.3.5. RUN to SUSPEND

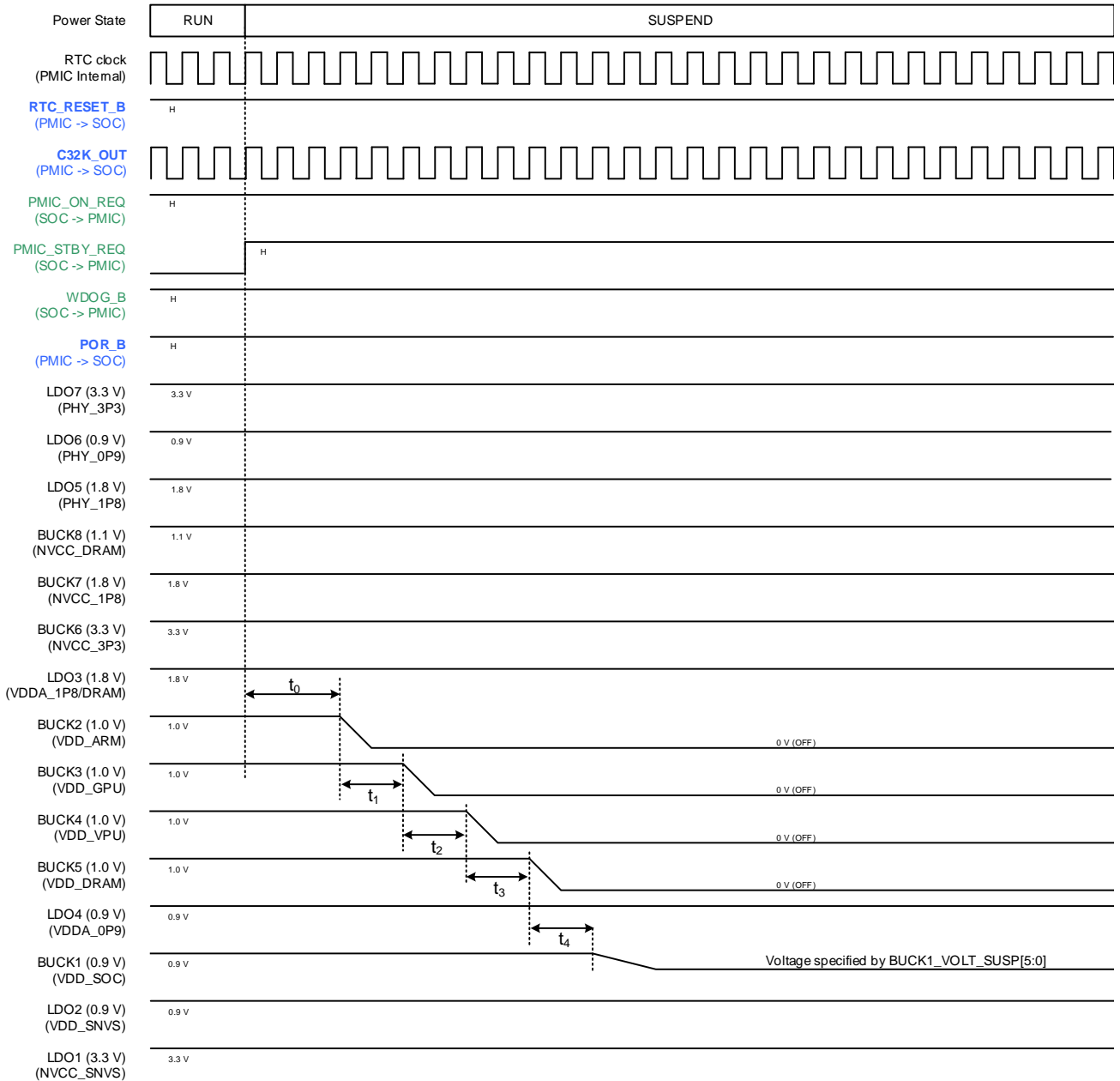


Figure 3-26. RUN to SUSPEND

Table 3-43. RUN to SUSPEND Timing Specification

Symbol	Description	Min	Typ	Max	Unit
t_0	PMIC_STBY_REQ High to BUCK2 De-assert Delay	0	120	200	μ s
t_1	BUCK2 De-assert to BUCK3 De-assert Delay	0	10	12	ms
t_2	BUCK3 De-assert to BUCK4 De-assert Delay	0	10	12	ms
t_3	BUCK4 De-assert to BUCK5 De-assert Delay	0	10	12	ms
t_4	BUCK5 De-assert to BUCK1 Voltage Change Start	0	10	12	ms

3.3.6. SUSPEND to RUN

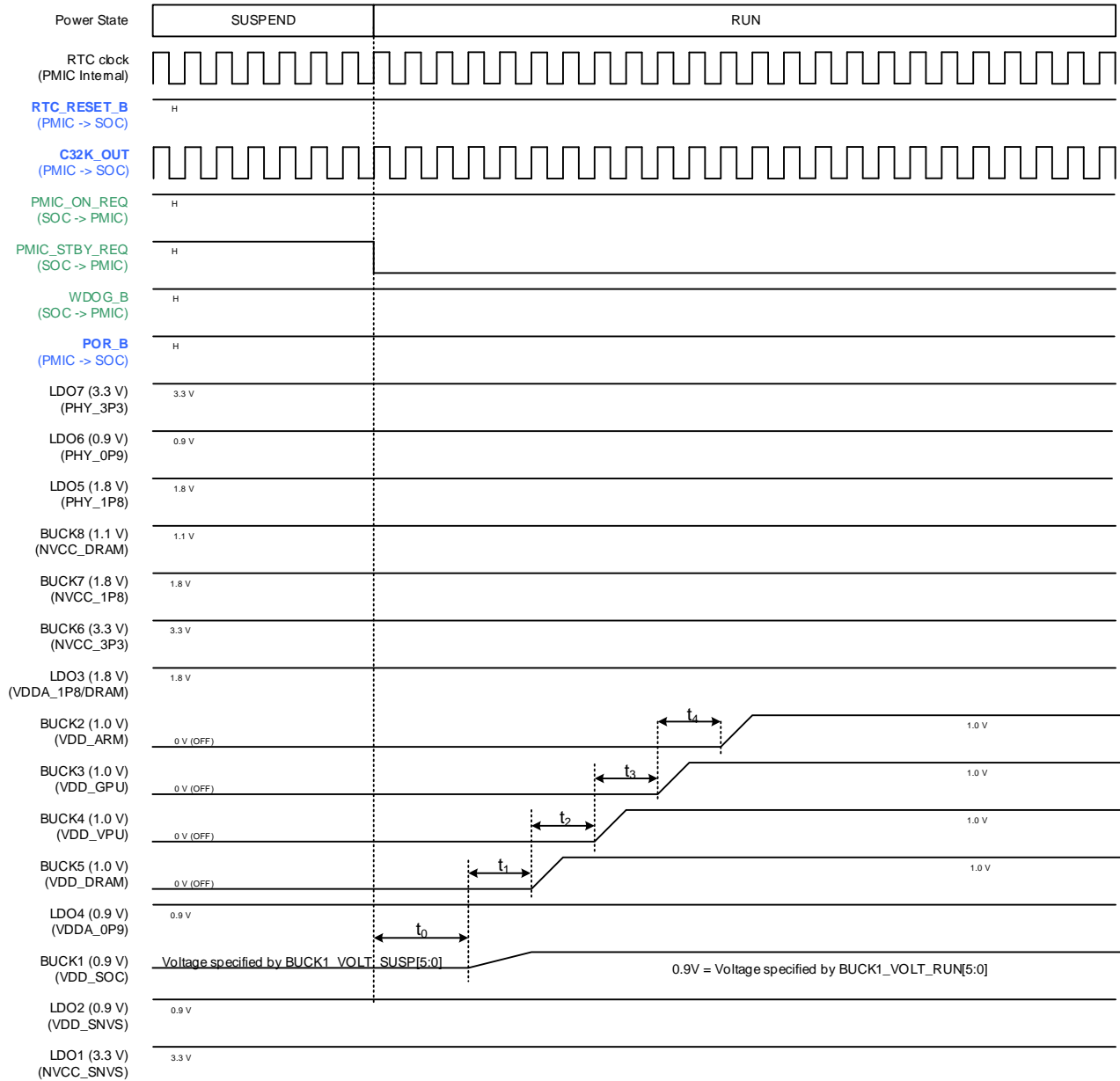


Figure 3-27. SUSPEND to RUN

Table 3-44. SUSPEND to RUN Timing Specification

Symbol	Description	Min	Typ	Max	Unit
t_0	PMIC_STBY_REQ Low to BUCK1 Voltage Change Start	0	120	200	μ s
t_1	BUCK1 Voltage Change Start to BUCK5 Assert Delay	0	1.0	1.2	ms
t_2	BUCK5 Assert to BUCK4 Assert Delay	0	1.0	1.2	ms
t_3	BUCK4 Assert to BUCK3 Assert Delay	0	1.0	1.2	ms
t_4	BUCK3 Assert to BUCK2 Assert Delay	0	1.0	1.2	ms

3.3.7. IDLE to SUSPEND

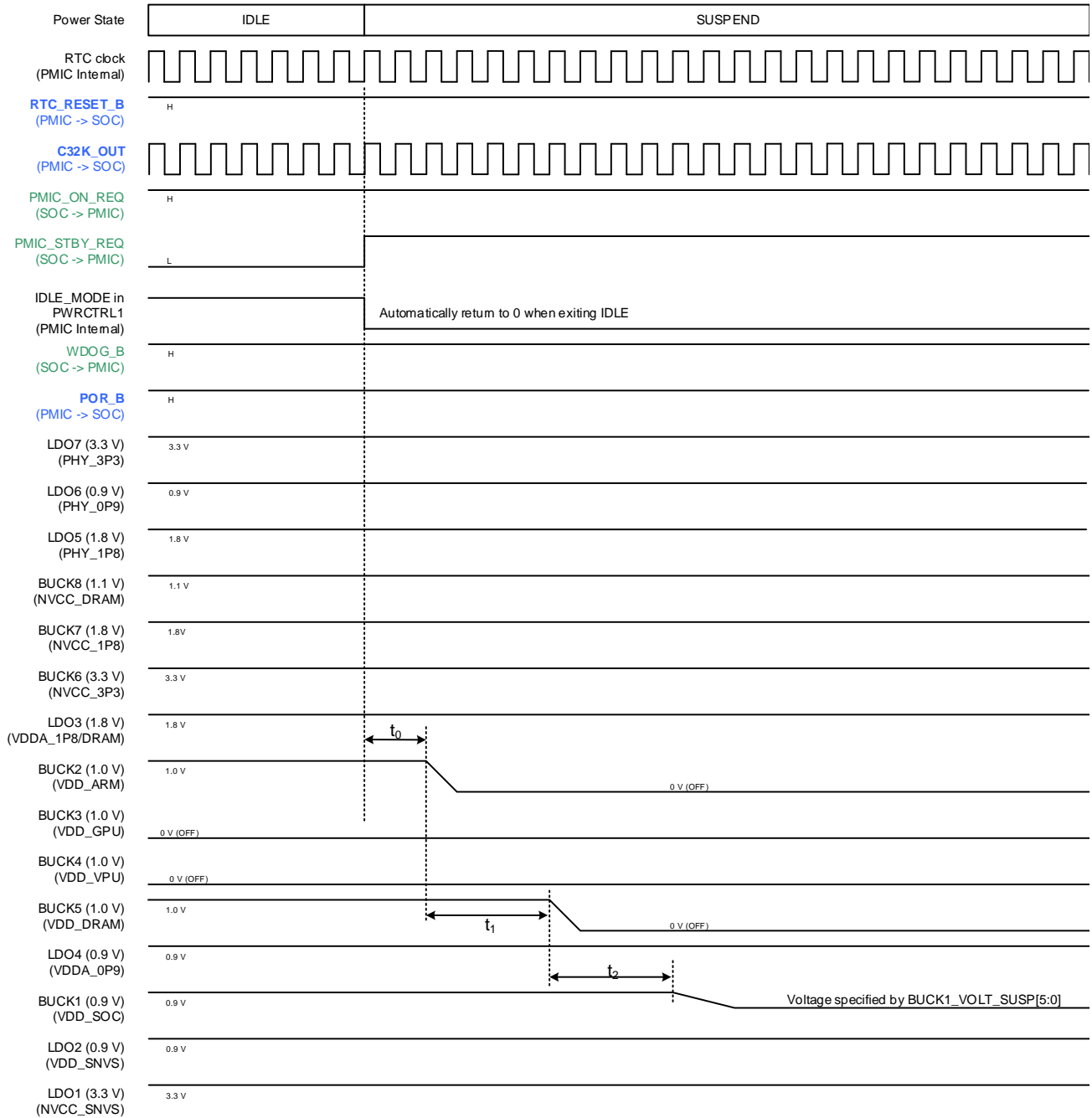


Figure 3-28. IDLE to SUSPEND

Table 3-45. IDLE to SUSPEND Timing Specification

Symbol	Description	Min	Typ	Max	Unit
t_0	PMIC_STBY_REQ High to BUCK2 De-assert Delay	0	120	200	μ s
t_1	BUCK2 De-assert to BUCK5 De-assert Delay	0	10	12	ms
t_2	BUCK5 De-assert to BUCK1 Voltage Change Start	0	10	12	ms

3.3.8. Emergency Shutdown

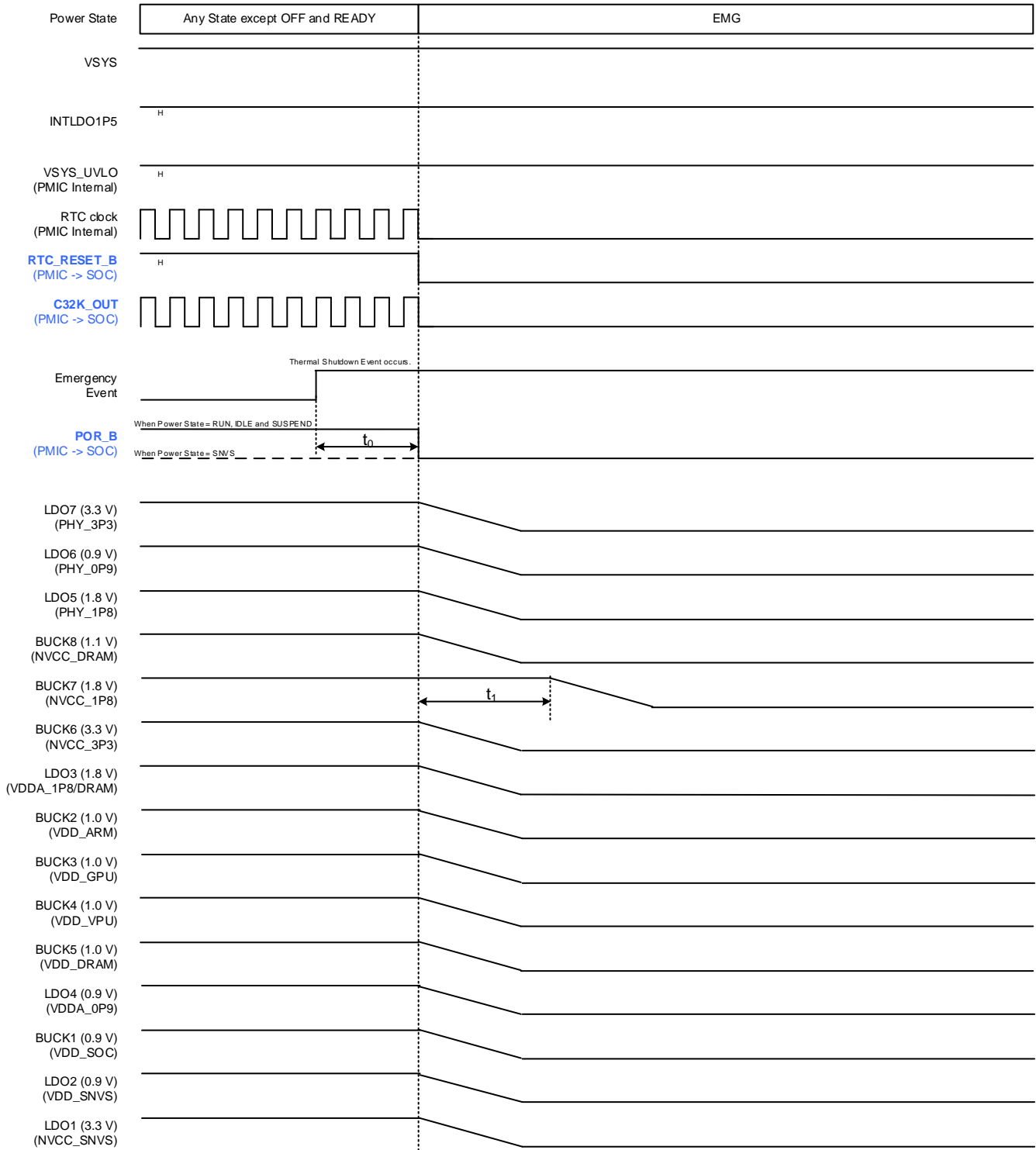


Figure 3-29. Emergency Shutdown

Table 3-46. Emergency Shutdown Timing Specification

Symbol	Description	Min	Typ	Max	Unit
t_0	Emergency Event to POR_B Assert and All VRs Except BUCK7 De-assert Delay	0	120	200	μ s
t_1	POR_B Assert to BUCK7 De-assert Delay	0	30	35	ms

3.3.9. Warm Reset

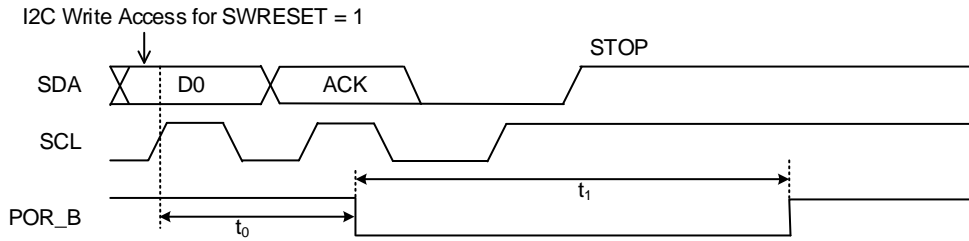


Figure 3-30. Warm Reset (SWRESET)

Table 3-47. Warm Reset (SWRESET) Timing Specification

Symbol	Description	Min	Typ	Max	Unit
t_0	SCL rising to POR_B assert delay	-	-	1.0	μ s
t_1	POR_B assert duration time	0.95	1.00	1.05	ms

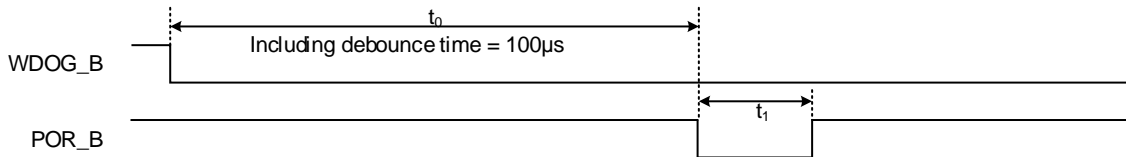


Figure 3-31. Warm Reset (WDOG_B)

Table 3-48. Warm Reset (WDOG_B) Timing Specification

Symbol	Description	Min	Typ	Max	Unit
t_0	WDOG_B falling to POR_B assert delay	100	110	120	μ s
t_1	POR_B assert duration time	0.95	1.00	1.05	ms

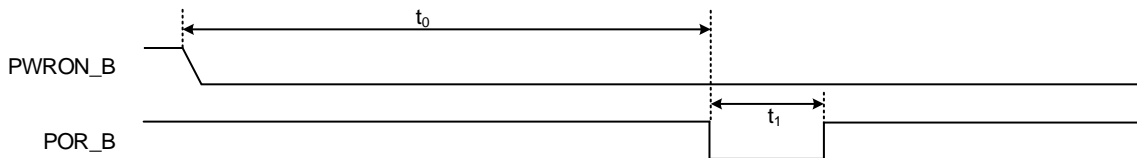


Figure 3-32. Warm Reset (PWRON_B Long Push)

Table 3-49. Warm Reset (PWRON_B Long Push) Timing Specification

Symbol	Description	Min	Typ	Max	Unit
t_0	PWRON_B falling to POR_B assert delay	PBDBNCT[1:0] in PWRONCONFIG0 + LONGT[3:0] in PWRONCONFIG1 -50	PBDBNCT[1:0] in PWRONCONFIG0 + LONGT[3:0] in PWRONCONFIG1	PBDBNCT[1:0] in PWRONCONFIG0 + LONGT[3:0] in PWRONCONFIG1 +50	ms
t_1	POR_B assert duration time	0.95	1.00	1.05	ms

3.3.10.Reset Source Indicators

The BD71837AMWV has RESETSRC register which is intended to store the cause of a shutdown or reset, the firmware reads this data on the next startup. Depending on the cause of a shutdown or reset, the only bit of RESETSRC register is 1.

Table 3-50. RESETSRC - Reset Source Indicator Register

Register Name	R/W	D7	D6	D5	D4	D3	D2	D1	D0	Initial	Address
RESETSRC	R/W	RPWRON	RWDOG	RSWRST	RPMIC_ON_REQ	RVSYS_2P7	RTEMP	ROCP	RVR_FAULT	0x00	0x29

Bit	Name	Function	Initial
D[7]	RPWRON	0 = Default 1 = Previous shutdown was due to the PWRON_B Long Push Cold Reset (Write-1-clear bit)	0
D[6]	RWDOG	0 = Default 1 = Previous shutdown was due to the WDOG_B Cold Reset (Write-1-clear bit)	0
D[5]	RSWRST	0 = Default 1 = Previous shutdown was due to the Software Cold Reset (Write-1-clear bit)	0
D[4]	RPMIC_ON_REQ	0 = Default 1 = Previous shutdown was due to the PMIC_ON_REQ = 0 (Write-1-clear bit)	0
D[3]	RVSYS_2P7	0 = Default 1 = Previous shutdown was due to the Emergency VSYS < 2.7V (Write-1-clear bit)	0
D[2]	RTEMP	0 = Default 1 = Previous shutdown was due to the Emergency Thermal Shutdown (Write-1-clear bit)	0
D[1]	ROCP	0 = Default 1 = Previous shutdown was due to the Emergency OCP (Write-1-clear bit)	0
D[0]	RVR_FAULT	0 = Default 1 = Previous shutdown was due to the Emergency VR Fault (Write-1-clear bit)	0

4. I2C and Interrupt

4.1. I2C Bus Interface

4.1.1. I2C Bus Interface Overview

I2C access is not permitted when the power state = READY.

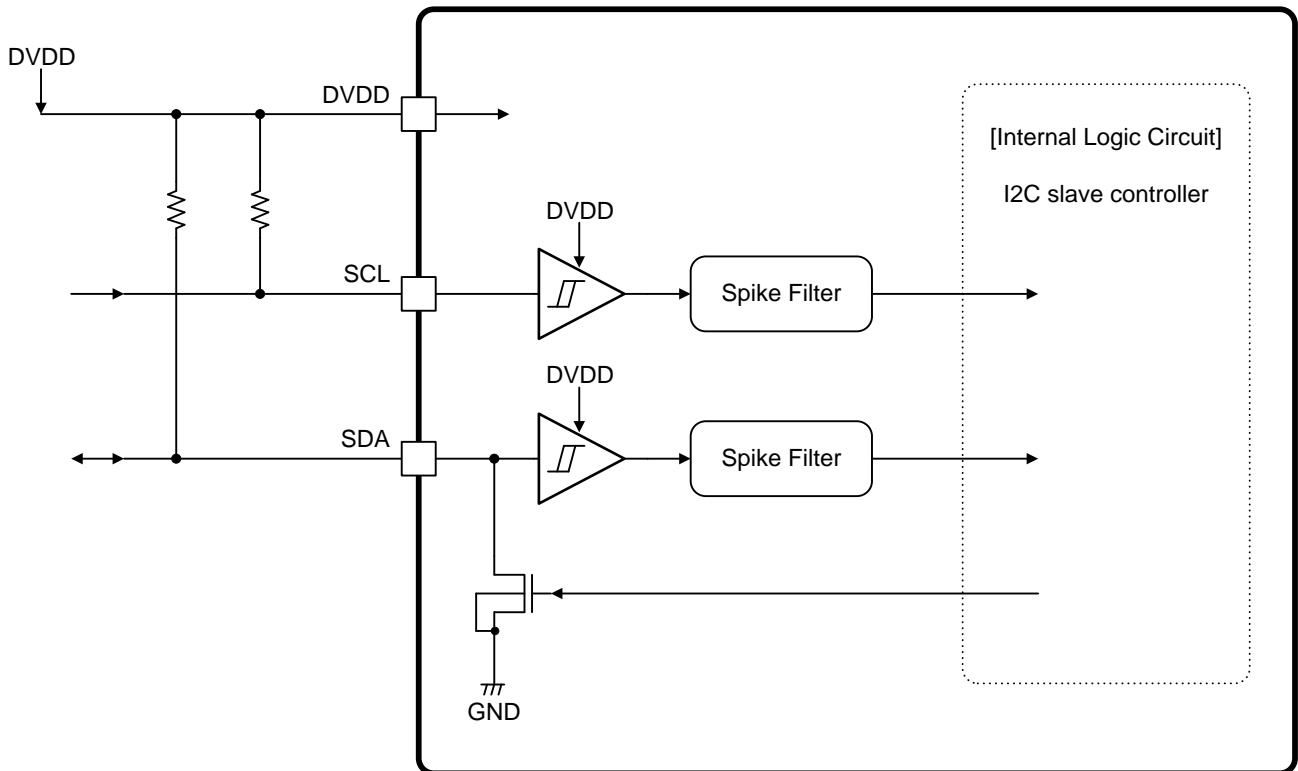


Figure 4-1. I2C (Slave) Block Diagram

4.1.2. I2C Bus Interface Electrical Characteristics

Table 4-1. I2C Bus Interface DC Electrical Characteristics

(Unless otherwise specified, Ta=+25 °C, V_{SYS}=5.0 V, DVDD=3.3 V)

Parameter	Symbol	Limit			Unit	Condition
		Min	Typ	Max		
Digital pin characteristics – Input (SCL)						
SCL Input "H" Level	V _{IH_SCL}	DVDD x 0.7	-	DVDD + 0.3	V	
SCL Input "L" Level	V _{IL_SCL}	-0.3	-	DVDD x 0.3	V	
SCL Input Hysteresis	V _{IHYS_SCL}	0.1	-	-	V	
SCL Input Leak Current(Input=0 V)	I _{OFF1_SCL}	-1	-	+1	μA	
SCL Input Leak Current(Input=5.5 V)	I _{OFF2_SCL}	-1	-	+1	μA	
Digital pin characteristics – Input (SDA)						
SDA Input "H" Level	V _{IH_SDA}	DVDD x 0.7	-	DVDD + 0.3	V	
SDA Input "L" Level	V _{IL_SDA}	-0.3	-	DVDD x 0.3	V	
SDA Input Hysteresis	V _{IHYS_SDA}	0.1	-	-	V	
SDA Input Leak Current(Input=0 V)	I _{OFF1_SDA}	-1	-	+1	μA	
SDA Input Leak Current(Input=5.5 V)	I _{OFF2_SDA}	-1	-	+1	μA	
Digital pin characteristics - Output (SDA)						
SDA Output "L" Level Voltage	V _{OL_SDA}	-	-	0.4	V	I _{OL} =6mA
Output Off Leak Current (Input=0 V)	I _{OFF3_SDA}	-1	-	+1	μA	
Output Off Leak Current (Input=5.5 V)	I _{OFF4_SDA}	-1	-	+1	μA	

4.1.2. I2C Bus Interface Electrical Characteristics – continued

Table 4-2. I2C Bus Interface AC Timing - Fast Mode

(Unless otherwise specified, Ta=+25 °C, VSYS=5.0 V, DVDD=3.3 V)

Parameter	Symbol	Fast mode			Fast mode plus			Unit
		Min	Typ	Max	Min	Typ	Max	
I2C_CLK Clock Frequency	f_{SCLH}	0	-	400	0	-	1000	kHz
Hold Time START Condition	t_{HD_STA}	0.60	-	-	0.26	-	-	μs
LOW Period of I2C_CLK Clock	t_{LOW}	1.3	-	-	0.5	-	-	μs
HIGH Period of I2C_CLK Clock	t_{HIGH}	0.60	-	-	0.26	-	-	μs
Set-up Time for a Repeated START Condition	t_{SU_STA}	0.60	-	-	0.26	-	-	μs
Data Hold Time	t_{HD_DAT}	0	-	-	0	-	-	ns
Data Set-up Time	t_{SU_DAT}	100	-	-	50	-	-	ns
Set-up Time for STOP Condition	t_{SU_STO}	0.60	-	-	0.26	-	-	μs
Fall Time of I2C_DATA Signal	t_{FDA}	20	-	300	-	-	120	ns
Capacitive Load for Each Bus Line	C_B	-	-	400	-	-	550	pF
Pulse Width of Spikes that are Suppressed by the Input Filter	t_{SP}	0	-	50	0	-	50	ns
Bus Free Time	t_{BUFF}	1.3	-	-	0.5	-	-	μs
Data Valid Time	t_{VD_DAT}	-	-	0.90	-	-	0.45	μs
Data Valid Acknowledge Time	t_{VD_ACK}	-	-	0.90	-	-	0.45	μs

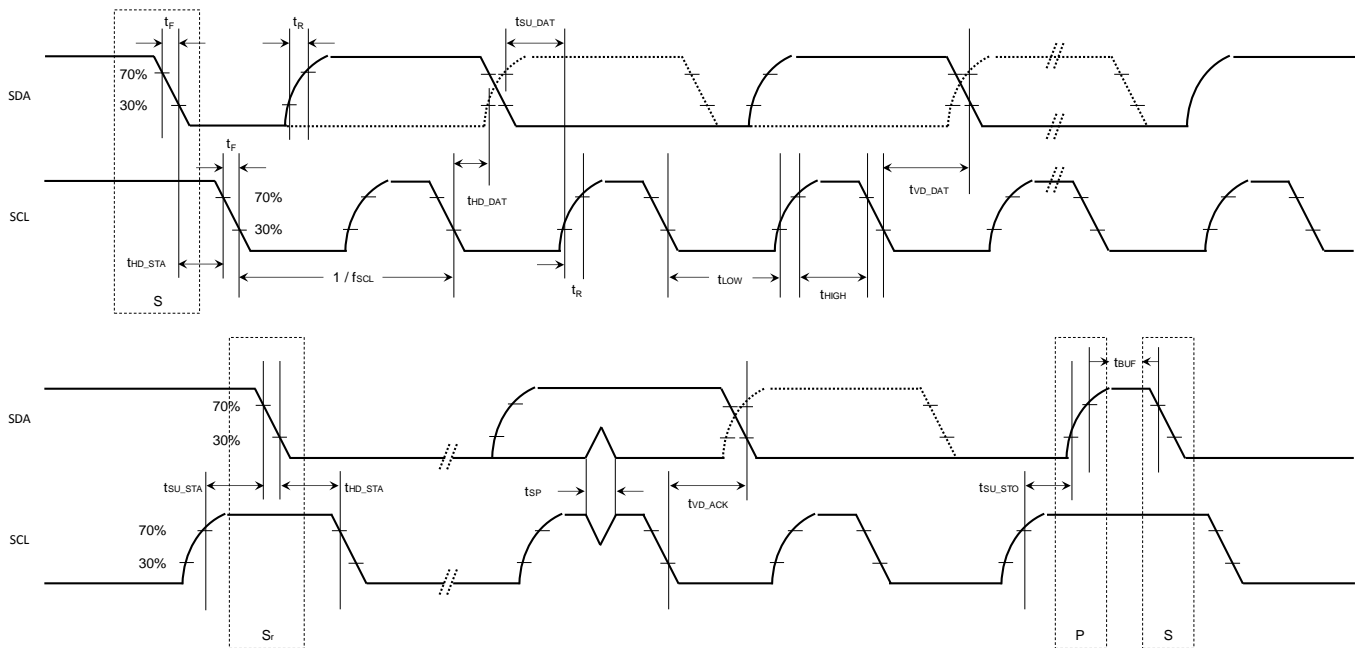


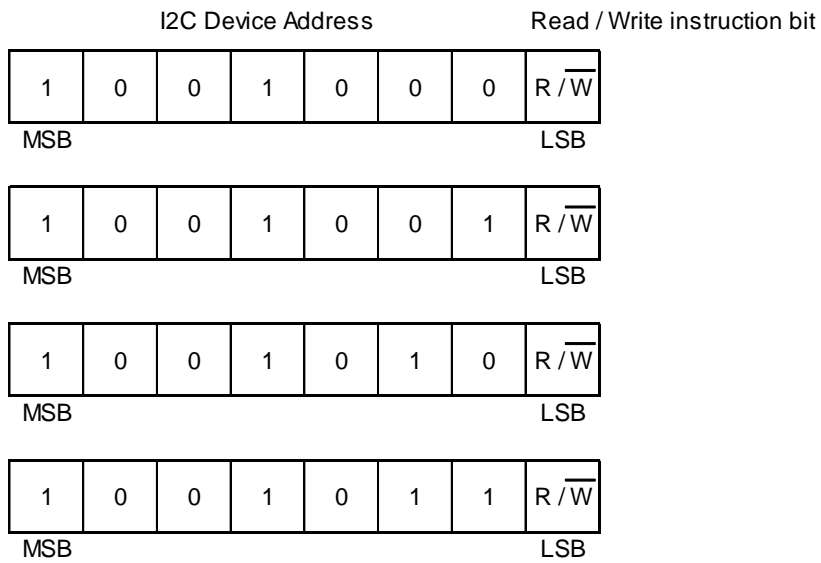
Figure 4-2. I2C Bus Interface AC Timing

4.1.3. Device Addressing

Table 4-3. I2C_DEV - I2C Device Address Indicator Register

Register Name	R/W	D7	D6	D5	D4	D3	D2	D1	D0	Initial	Address
I2C_DEV	R	-	-	-	-	-	-	I2C_DEV_ADRS[1:0]		0x03	0x02

Bit	Name	Function	Initial
D[1:0]	I2C_DEV_ADRS[1:0]	00 = I2C 7 bit Device Address = 0x48 01 = I2C 7 bit Device Address = 0x49 10 = I2C 7 bit Device Address = 0x4A 11 = I2C 7 bit Device Address = 0x4B	11

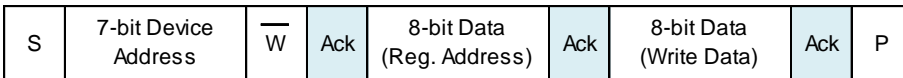


I2C Device Address is decided by OTP setting.

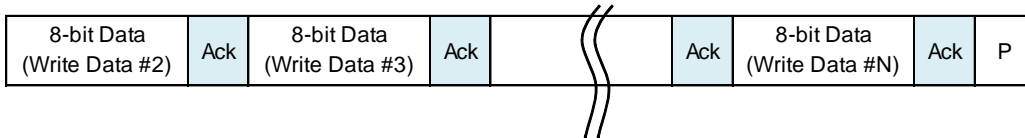
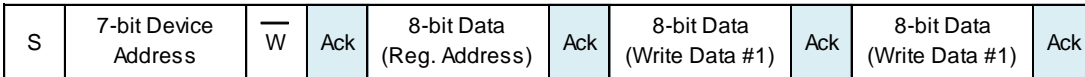
Figure 4-3. I2C Device Addressing

4.1.4. Write / Read Operation

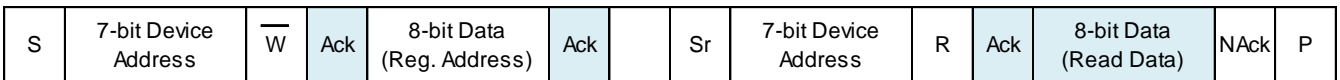
Write single register



Write multiple registers (Address Auto-Increment)



Read single register



Read multiple registers (Address Auto-Increment)

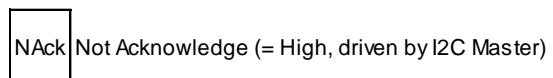
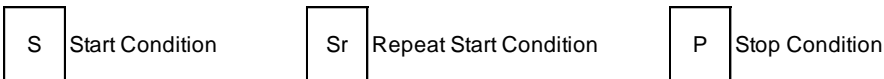
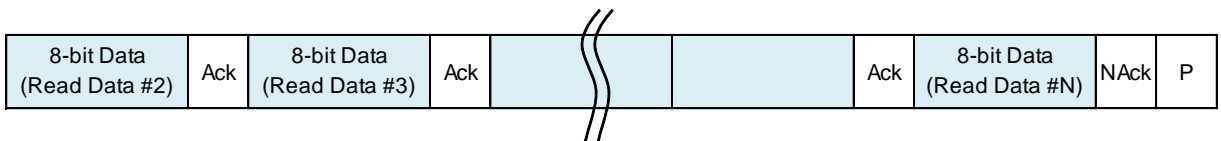
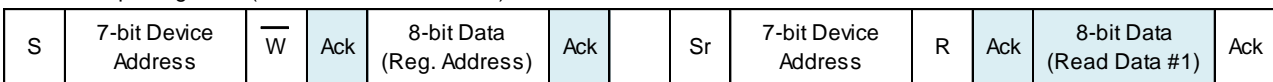


Figure 4-4. I2C Write / Read Operation

4.2. Interrupt
4.2.1. Interrupt Overview

Table 4-4. Interrupt Event

IRQ Event	Definition
PWRON	PWRON_B Pin Level Changed
PWRON_S	PWRON_B Short Push Detection
PWRON_L	PWRON_B Long Push Detection
WDOG	WDOG_B Pin Level Changed
SWRST	Written 1 to SWRESET in SWRESET Register
ON_REQ	PMIC_ON_REQ Pin Level Changed
STBY_REQ	PMIC_STBY_REQ Pin Level Changed

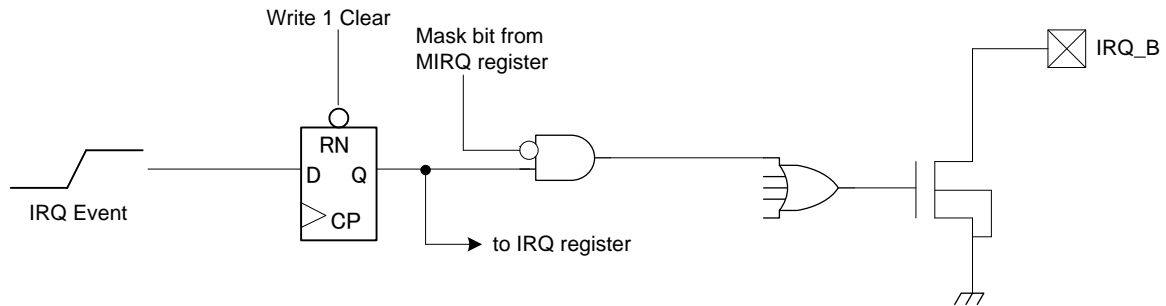


Figure 4-5. IRQ_B Architecture Block Diagram

Table 4-5. IRQ_B Electrical Characteristics

(Unless otherwise specified, Ta=+25 °C, V_{SY}S=5.0 V, DV_{DD}=3.3 V)

Parameter	Symbol	Limit			Unit	Condition
		Min	Typ	Max		
Output "L" Level Voltage	V _{OL_IRQB}	-	-	DV _{DD} x 0.2	V	I _{OL} =3 mA Sink
Output Off Leak Current	I _{OLK_IRQB}	-1	-	+1	µA	

4.2.1. Interrupt Overview – continued

Table 4-6. IRQ - Interrupt Register

Register Name	R/W	D7	D6	D5	D4	D3	D2	D1	D0	Initial	Address
IRQ	R/W	-	SWRST	PWRON_S	PWRON_L	PWRON	WDOG	ON_REQ	STBY_REQ	0x00	0x2B

Bit	Name	Function	Initial
D[6]	SWRST	0 = SWRESET in SWRESET register is not written 1 = SWRESET in SWRESET register is written This bit is a write-1-to-clear bit.	0
D[5]	PWRON_S	0 = PWRON_B Short Push not detected 1 = PWRON_B Short Push detected This bit is a write-1-to-clear bit.	0
D[4]	PWRON_L	0 = PWRON_B Long Push not detected 1 = PWRON_B Long Push detected This bit is a write-1-to-clear bit.	0
D[3]	PWRON	0 = PWRON_B level change not generated 1 = PWRON_B level change generated This bit is a write-1-to-clear bit.	0
D[2]	WDOG	0 = WDOG_B level change not generated 1 = WDOG_B level change generated This bit is a write-1-to-clear bit.	0
D[1]	ON_REQ	0 = PMIC_ON_REQ level change not generated 1 = PMIC_ON_REQ level change generated This bit is a write-1-to-clear bit.	0
D[0]	STBY_REQ	0 = PMIC_STBY_REQ level change not generated 1 = PMIC_STBY_REQ level change generated This bit is a write-1-to-clear bit.	0

Table 4-7. MIRQ – IRQ Mask Register

Register Name	R/W	D7	D6	D5	D4	D3	D2	D1	D0	Initial	Address
MIRQ	R/W	-	MSWRST	MPWRON_S	MPWRON_L	MPWRON	MWDOG	MON_REQ	MSTBY_REQ	0x7F	0x2A

Bit	Name	Function	Initial
D[6]	MSWRST	0 = No Mask 1 = Mask Interrupt	1
D[5]	MPWRON_S	0 = No Mask 1 = Mask Interrupt	1
D[4]	MPWRON_L	0 = No Mask 1 = Mask Interrupt	1
D[3]	MPWRON	0 = No Mask 1 = Mask Interrupt	1
D[2]	MWDOG	0 = No Mask 1 = Mask Interrupt	1
D[1]	MON_REQ	0 = No Mask 1 = Mask Interrupt	1
D[0]	MSTBY_REQ	0 = No Mask 1 = Mask Interrupt	1

4.2.1. Interrupt Overview – continued

Table 4-8. IN_MON - Input Port Monitor Register

Register Name	R/W	D7	D6	D5	D4	D3	D2	D1	D0	Initial	Address
IN_MON	R	-	-	-	-	STAT_PWRON	STAT_WDOG	STAT_ON_REQ	STAT_STBY_REQ	0x00	0x2C

Bit	Name	Function	Initial
D[3]	STAT_PWRON	0 = PWRON_B level is 0 1 = PWRON_B level is 1	0
D[2]	STAT_WDOG	0 = WDOG_B level is 0 1 = WDOG_B level is 1	0
D[1]	STAT_ON_REQ	0 = PMIC_ON_REQ level is 0 1 = PMIC_ON_REQ level is 1	0
D[0]	STAT_STBY_REQ	0 = PMIC_STBY_REQ level is 0 1 = PMIC_STBY_REQ level is 1	0

5. Power Rails

5.1. Output Voltage Range

Table 5-1. Output Voltage Range1

Data [Hex]	BUCK1	BUCK2	BUCK3	BUCK4	BUCK5	BUCK6	BUCK7	BUCK8	LDO1	LDO2	LDO3	LDO4	LDO5	LDO6	LDO7
00	0.70	0.70	0.70	0.70	0.70	3.00	1.605	0.80	3.00	0.90 <i>(Note 1)</i>	1.80 <i>(Note 1)</i>	0.90 <i>(Note 1)</i>	1.80 <i>(Note 1)</i>	0.90 <i>(Note 1)</i>	1.80
01	0.71	0.71	0.71	0.71	0.80	3.10	1.695	0.81	3.10		1.90	1.00	1.90	1.00	1.90
02	0.72	0.72	0.72	0.72	0.90	3.20	1.755	0.82	3.20		2.00	1.10	2.00	1.10	2.00
03	0.73	0.73	0.73	0.73	1.00 <i>(Note 1)</i>	3.30 <i>(Note 1)</i>	1.80 <i>(Note 1)</i>	0.83	3.30 <i>(Note 1)</i>		2.10	1.20	2.10	1.20	2.10
04	0.74	0.74	0.74	0.74	1.05		1.845	0.84			2.20	1.30	2.20	1.30	2.20
05	0.75	0.75	0.75	0.75	1.10		1.905	0.85			2.30	1.40	2.30	1.40	2.30
06	0.76	0.76	0.76	0.76	1.20		1.950	0.86			2.40	1.50	2.40	1.50	2.40
07	0.77	0.77	0.77	0.77	1.35		1.995	0.87			2.50	1.60	2.50	1.60	2.50
08	0.78	0.78	0.78	0.78				0.88			2.60	1.70	2.60	1.70	2.60
09	0.79	0.79	0.79	0.79				0.89			2.70	1.80	2.70	1.80	2.70
0A	0.80	0.80	0.80	0.80				0.90			2.80		2.80		2.80
0B	0.81	0.81	0.81	0.81				0.91			2.90		2.90		2.90
0C	0.82	0.82	0.82	0.82				0.92			3.00		3.00		3.00
0D	0.83	0.83	0.83	0.83				0.93			3.10		3.10		3.10
0E	0.84	0.84	0.84	0.84				0.94			3.20		3.20		3.20
0F	0.85	0.85	0.85	0.85				0.95			3.30		3.30		3.30 <i>(Note 1)</i>
10	0.86	0.86	0.86	0.86				0.96							
11	0.87	0.87	0.87	0.87				0.97							
12	0.88	0.88	0.88	0.88				0.98							
13	0.89	0.89	0.89	0.89				0.99							
14	0.90 <i>(Note 1)</i>	0.90	0.90	0.90				1.00							
15	0.91	0.91	0.91	0.91				1.01							
16	0.92	0.92	0.92	0.92				1.02							
17	0.93	0.93	0.93	0.93				1.03							
18	0.94	0.94	0.94	0.94				1.04							
19	0.95	0.95	0.95	0.95				1.05							
1A	0.96	0.96	0.96	0.96				1.06							
1B	0.97	0.97	0.97	0.97				1.07							
1C	0.98	0.98	0.98	0.98				1.08							
1D	0.99	0.99	0.99	0.99				1.09							
1E	1.00	1.00 <i>(Note 1)</i>	1.00 <i>(Note 1)</i>	1.00 <i>(Note 1)</i>				1.10 <i>(Note 1)</i>							
1F	1.01	1.01	1.01	1.01				1.11							

(Note 1) initial voltage(run mode)

5.1. Output Voltage Range – continued

Table 5-2. Output Voltage Range2

Data [Hex]	BUCK1	BUCK2	BUCK3	BUCK4	BUCK5	BUCK6	BUCK7	BUCK8	LDO1	LDO2	LDO3	LDO4	LDO5	LDO6	LDO7
20	1.02	1.02	1.02	1.02				1.12	1.60	0.80					
21	1.03	1.03	1.03	1.03				1.13	1.70						
22	1.04	1.04	1.04	1.04				1.14	1.80						
23	1.05	1.05	1.05	1.05				1.15	1.90						
24	1.06	1.06	1.06	1.06				1.16							
25	1.07	1.07	1.07	1.07				1.17							
26	1.08	1.08	1.08	1.08				1.18							
27	1.09	1.09	1.09	1.09				1.19							
28	1.10	1.10	1.10	1.10				1.20							
29	1.11	1.11	1.11	1.11				1.21							
2A	1.12	1.12	1.12	1.12				1.22							
2B	1.13	1.13	1.13	1.13				1.23							
2C	1.14	1.14	1.14	1.14				1.24							
2D	1.15	1.15	1.15	1.15				1.25							
2E	1.16	1.16	1.16	1.16				1.26							
2F	1.17	1.17	1.17	1.17				1.27							
30	1.18	1.18	1.18	1.18				1.28							
31	1.19	1.19	1.19	1.19				1.29							
32	1.20	1.20	1.20	1.20				1.30							
33	1.21	1.21	1.21	1.21				1.31							
34	1.22	1.22	1.22	1.22				1.32							
35	1.23	1.23	1.23	1.23				1.33							
36	1.24	1.24	1.24	1.24				1.34							
37	1.25	1.25	1.25	1.25				1.35							
38	1.26	1.26	1.26	1.26				1.36							
39	1.27	1.27	1.27	1.27				1.37							
3A	1.28	1.28	1.28	1.28				1.38							
3B	1.29	1.29	1.29	1.29				1.39							
3C	1.30	1.30	1.30	1.30				1.40							
3D	1.30	1.30	1.30	1.30				1.40							
3E	1.30	1.30	1.30	1.30				1.40							
3F	1.30	1.30	1.30	1.30				1.40							

5.2. Details of Buck

5.2.1. BUCK1

5.2.1.1. BUCK1 Block Diagram

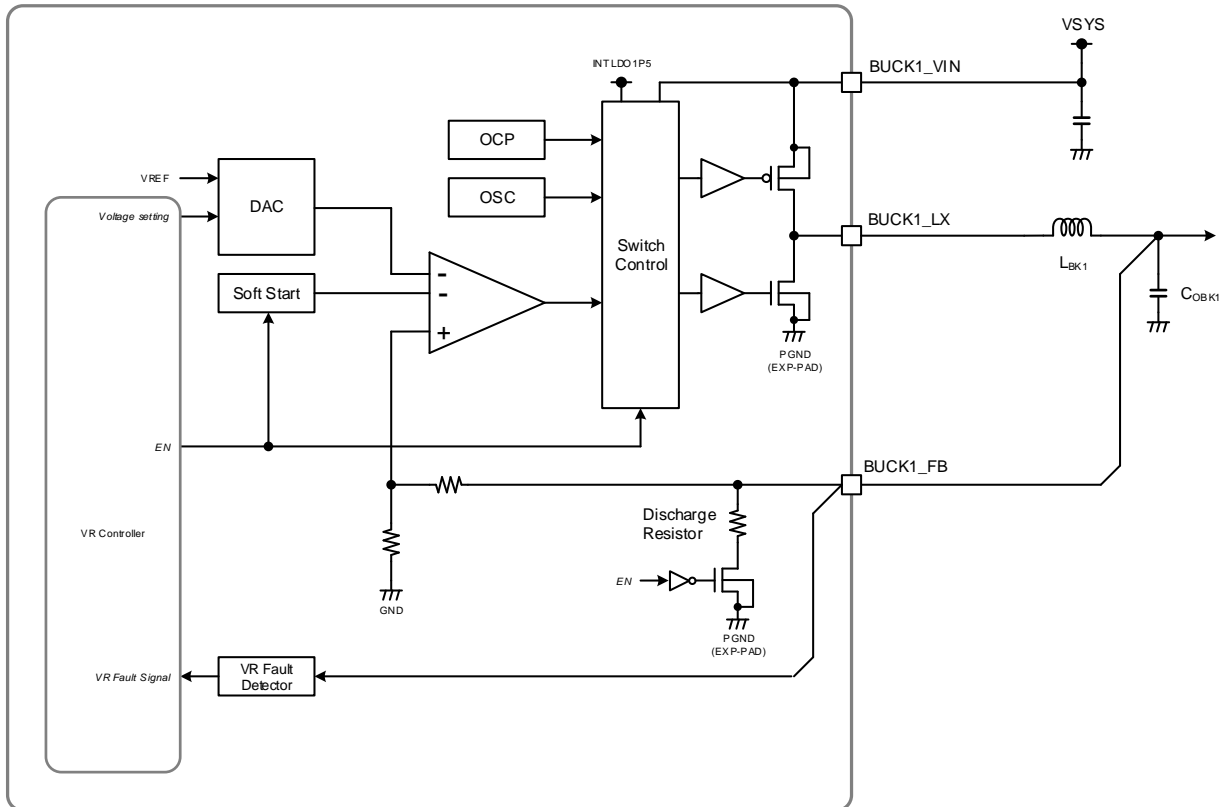


Figure 5-1. BUCK1 Block Diagram

5.2.1.2. BUCK1 Electrical Characteristics

Table 5-3. BUCK1 Electrical Characteristics

(Unless otherwise specified, Ta=+25 °C, V_{SYS}=5.0 V)

Parameter	Symbol	Limit			Unit	Condition
		Min	Typ	Max		
Output Voltage	V _{O_BK1}	0.891	0.900	0.909	V	V _o = 0.9 V I _o = 200 mA, PWM fix Mode
Programmable Output Voltage Range	V _{ORG_BK1}	0.7	-	1.3	V	10 mV step
Quiescent Current	I _{Q_BK1}	-	15	-	μA	V _o = 0.9 V I _o = 0 mA, Auto mode
Maximum Output Current	I _{OMAX_BK1}	3600	-	-	mA	
Over Current Protection	I _{OCP_BK1}	5000	-	-	mA	Peak current of inductor ^(Note 1)
DC Output Voltage Load Regulation	ΔV _{LDR_BK1}	-1	0	+1	%	I _o = 1 mA to I _o max, PWM fix Mode
Efficiency	η _{BK1_1mA}	-	80	-	%	I _o = 1 mA, V _o = 0.9 V
	η _{BK1_500mA}	-	85	-	%	I _o = 500 mA, V _o = 0.9 V
	η _{BK1_max}	-	72	-	%	I _o = I _o max, V _o = 0.9 V
Oscillating Frequency	f _{SW_BK1}	-	2	-	MHz	PWM fix mode, I _o = 0 mA
Start up Time	t _{ST_BK1}	-	160	500	μs	During EN to 90% of nominal Voltage, BUCK1_RAMPRATE_RUN[1:0] = 01
Discharge Resistance	R _{D_BK1}	-	100	-	Ω	
Low Side VR Fault Detect Level	D _{VRFBK1_L}	-	80	-	%	V _o = 0.9 V (FB = Sweep down) VR fault detect level / V _o x 100
Low Side VR Fault Detect Hysteresis	D _{VRFBK1_LHYS}	-	10	-	%	(VR fault release level - detect level) / V _o x 100
High Side VR Fault Detect Level	D _{VRBK1_H}	-	130	-	%	V _o = 0.9 V (FB = Sweep up) Power good detect level / V _o x 100
High Side VR Fault Detect Hysteresis	D _{VRFBK1_HHYS}	-	20	-	%	(VR fault detect level - release level) / V _o x 100
Output Inductance	L _{BK1}	-	0.47	-	μH	(Note 2)
Output Capacitance	C _{OBK1}	22	44	100	μF	(Note 2) Effective capacitance with BUCK's DC bias Max value is limited by ramp rate. <Output Max Capacitance> ramp rate 1.25 mV, 2.5 mV, 5 mV : 100 μF ramp rate 10 mV : 50 μF

(Note 1) For Buck- DCDC converters, (minimum Over Current Protection Current – ½ inductor ripple current) is the maximum output current.

(Note 2) This part value range need to be guaranteed over the operating surrounding temperature.

5.2.1.3. BUCK1 Control

Table 5-4. BUCK1_CTRL - BUCK1 Control Register

Register Name	R/W	D7	D6	D5	D4	D3	D2	D1	D0	Initial	Address
BUCK1_CTRL	R/W	BUCK1_RAMPRATE [1:0]		-	-	BUCK1_PWM_FIX	-	BUCK1_SEL	BUCK1_EN	0x40	0x05

Bit	Name	Function	Initial
D[7:6]	BUCK1_RAMPRATE[1:0]	BUCK1 DVS ramp rate 00 = 10 mV/μs 01 = 5 mV/μs 10 = 2.5 mV/μs 11 = 1.25 mV/μs Note : When BUCK1 voltage starts up from 0V, the ramp rate is fixed 5mV/μs, regardless of the value of BUCK1_RAMPRATE[1:0].	01
D[3]	BUCK1_PWM_FIX	0 – AUTO PWM/PFM mode VR adjusts the operating mode (PFM/PWM) automatically based on the load current to maximize power efficiency. 1 – Forced PWM Mode VR operates in PWM mode only.	0
D[1]	BUCK1_SEL	BUCK1 control select bit 0 = BUCK1 ON/OFF is controlled by state machine. 1 = BUCK1 ON/OFF is controlled by D[0] on this register.	0
D[0]	BUCK1_EN	BUCK1 control bit with condition of D[1] 0 = BUCK1 OFF 1 = BUCK1 ON This bit returns to 0 at the beginning of PWROFF sequence or emergency shutdown. When system is in SNVS, BUCK1_SEL = 1 and BUCK1_EN = 1, BUCK1 voltage is specified by BUCK1_VOLT_SUSP register.	0

Table 5-5. BUCK1_VOLT_RUN - BUCK1 Voltage (RUN) Register

Register Name	R/W	D7	D6	D5	D4	D3	D2	D1	D0	Initial	Address
BUCK1_VOLT_RUN	R/W	-	-	BUCK1_VOLT_RUN[5:0]						0x14	0x0D

Bit	Name	Function	Initial
D[5:0]	BUCK1_VOLT_RUN[5:0]	BUCK1 voltage when Power State = RUN 0x00 = 0.70 V 0x01 = 0.71 V 0x02 = 0.72 V 0x03 = 0.73 V 0x04 = 0.74 V 0x05 = 0.75 V 0x06 = 0.76 V 0x07 = 0.77 V 0x08 = 0.78 V 0x09 = 0.79 V 0x0A = 0.80 V 0x0B = 0.81 V 0x0C = 0.82 V 0x0D = 0.83 V 0x0E = 0.84 V 0x0F = 0.85 V 0x10 = 0.86 V 0x11 = 0.87 V 0x12 = 0.88 V 0x13 = 0.89 V 0x14 = 0.90 V (initial) 0x15 = 0.91 V 0x16 = 0.92 V 0x17 = 0.93 V 0x18 = 0.94 V 0x19 = 0.95 V 0x1A = 0.96 V 0x1B = 0.97 V 0x1C = 0.98 V 0x1D = 0.99 V 0x1E = 1.00 V 0x1F = 1.01 V 0x20 = 1.02 V 0x21 = 1.03 V 0x22 = 1.04 V 0x23 = 1.05 V 0x24 = 1.06 V 0x25 = 1.07 V 0x26 = 1.08 V 0x27 = 1.09 V 0x28 = 1.10 V 0x29 = 1.11 V 0x2A = 1.12 V 0x2B = 1.13 V 0x2C = 1.14 V 0x2D = 1.15 V 0x2E = 1.16 V 0x2F = 1.17 V 0x30 = 1.18 V 0x31 = 1.19 V 0x32 = 1.20 V 0x33 = 1.21 V 0x34 = 1.22 V 0x35 = 1.23 V 0x36 = 1.24 V 0x37 = 1.25 V 0x38 = 1.26 V 0x39 = 1.27 V 0x3A = 1.28 V 0x3B = 1.29 V 0x3C = 1.30 V 0x3D = 1.30 V 0x3E = 1.30 V 0x3F = 1.30 V	010100

5.2.1.3. BUCK1 Control – continued

Table 5-6. BUCK1_VOLT_IDLE - BUCK1 Voltage (IDLE) Register

Register Name	R/W	D7	D6	D5	D4	D3	D2	D1	D0	Initial	Address
BUCK1_VOLT_IDLE	R/W	-	-	BUCK1_VOLT_IDLE[5:0]						0x14	0x0E

Bit	Name	Function	Initial
D[5:0]	BUCK1_VOLT_IDLE[5:0]	BUCK1 voltage when Power State = IDLE 0x00 = 0.70 V 0x01 = 0.71 V 0x02 = 0.72 V 0x03 = 0.73 V 0x04 = 0.74 V 0x05 = 0.75 V 0x06 = 0.76 V 0x07 = 0.77 V 0x08 = 0.78 V 0x09 = 0.79 V 0x0A = 0.80 V 0x0B = 0.81 V 0x0C = 0.82 V 0x0D = 0.83 V 0x0E = 0.84 V 0x0F = 0.85 V 0x10 = 0.86 V 0x11 = 0.87 V 0x12 = 0.88 V 0x13 = 0.89 V 0x14 = 0.90 V (initial) 0x15 = 0.91 V 0x16 = 0.92 V 0x17 = 0.93 V 0x18 = 0.94 V 0x19 = 0.95 V 0x1A = 0.96 V 0x1B = 0.97 V 0x1C = 0.98 V 0x1D = 0.99 V 0x1E = 1.00 V 0x1F = 1.01 V 0x20 = 1.02 V 0x21 = 1.03 V 0x22 = 1.04 V 0x23 = 1.05 V 0x24 = 1.06 V 0x25 = 1.07 V 0x26 = 1.08 V 0x27 = 1.09 V 0x28 = 1.10 V 0x29 = 1.11 V 0x2A = 1.12 V 0x2B = 1.13 V 0x2C = 1.14 V 0x2D = 1.15 V 0x2E = 1.16 V 0x2F = 1.17 V 0x30 = 1.18 V 0x31 = 1.19 V 0x32 = 1.20 V 0x33 = 1.21 V 0x34 = 1.22 V 0x35 = 1.23 V 0x36 = 1.24 V 0x37 = 1.25 V 0x38 = 1.26 V 0x39 = 1.27 V 0x3A = 1.28 V 0x3B = 1.29 V 0x3C = 1.30 V 0x3D = 1.30 V 0x3E = 1.30 V 0x3F = 1.30 V	010100

Table 5-7. BUCK1_VOLT_SUSP - BUCK1 Voltage (SUSPEND) Register

Register Name	R/W	D7	D6	D5	D4	D3	D2	D1	D0	Initial	Address
BUCK1_VOLT_SUSP	R/W	-	-	BUCK1_VOLT_SUSP[5:0]						0x14	0x0F

Bit	Name	Function	Initial
D[5:0]	BUCK1_VOLT_SUSP[5:0]	BUCK1 voltage when Power State = SUSPEND 0x00 = 0.70 V 0x01 = 0.71 V 0x02 = 0.72 V 0x03 = 0.73 V 0x04 = 0.74 V 0x05 = 0.75 V 0x06 = 0.76 V 0x07 = 0.77 V 0x08 = 0.78 V 0x09 = 0.79 V 0x0A = 0.80 V 0x0B = 0.81 V 0x0C = 0.82 V 0x0D = 0.83 V 0x0E = 0.84 V 0x0F = 0.85 V 0x10 = 0.86 V 0x11 = 0.87 V 0x12 = 0.88 V 0x13 = 0.89 V 0x14 = 0.90 V (initial) 0x15 = 0.91 V 0x16 = 0.92 V 0x17 = 0.93 V 0x18 = 0.94 V 0x19 = 0.95 V 0x1A = 0.96 V 0x1B = 0.97 V 0x1C = 0.98 V 0x1D = 0.99 V 0x1E = 1.00 V 0x1F = 1.01 V 0x20 = 1.02 V 0x21 = 1.03 V 0x22 = 1.04 V 0x23 = 1.05 V 0x24 = 1.06 V 0x25 = 1.07 V 0x26 = 1.08 V 0x27 = 1.09 V 0x28 = 1.10 V 0x29 = 1.11 V 0x2A = 1.12 V 0x2B = 1.13 V 0x2C = 1.14 V 0x2D = 1.15 V 0x2E = 1.16 V 0x2F = 1.17 V 0x30 = 1.18 V 0x31 = 1.19 V 0x32 = 1.20 V 0x33 = 1.21 V 0x34 = 1.22 V 0x35 = 1.23 V 0x36 = 1.24 V 0x37 = 1.25 V 0x38 = 1.26 V 0x39 = 1.27 V 0x3A = 1.28 V 0x3B = 1.29 V 0x3C = 1.30 V 0x3D = 1.30 V 0x3E = 1.30 V 0x3F = 1.30 V	010100

5.2.2. BUCK2

5.2.2.1. BUCK2 Block Diagram

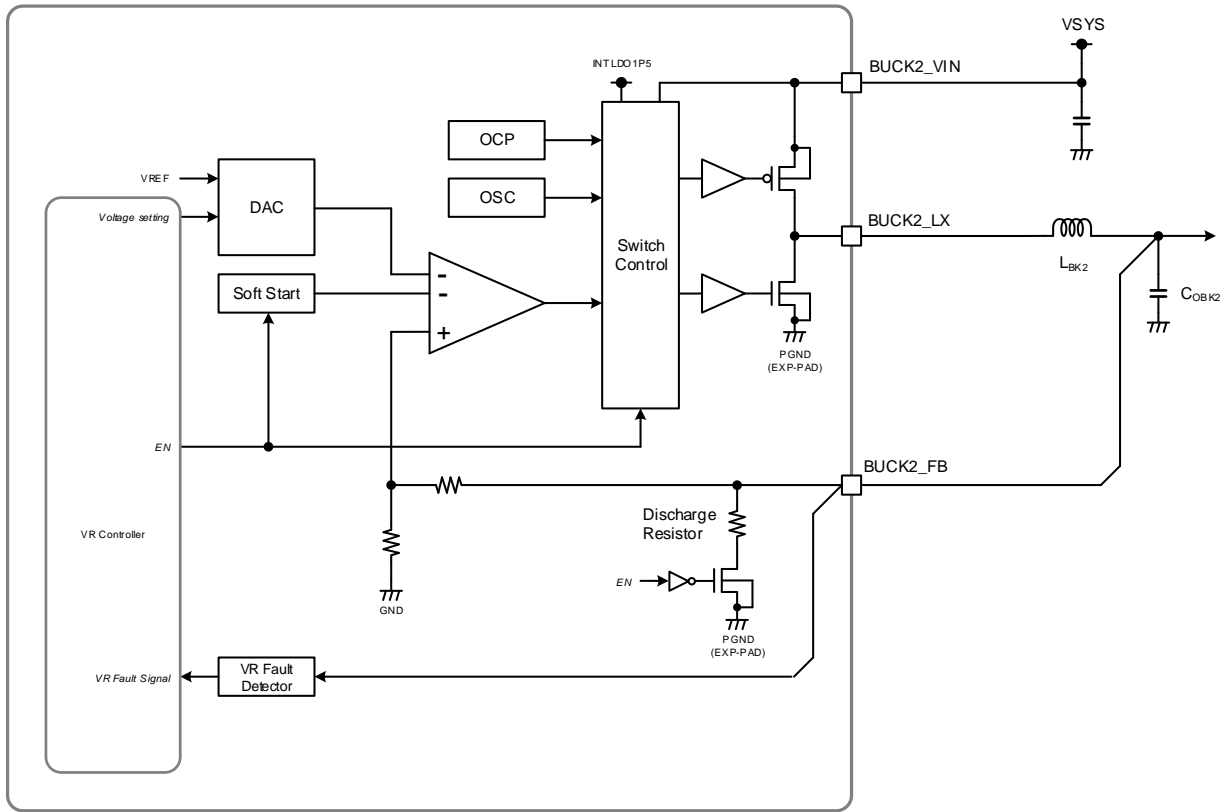


Figure 5-2. BUCK2 Block Diagram

5.2.2.2. BUCK2 Electrical Characteristics

Table 5-8. BUCK2 Electrical Characteristics

(Unless otherwise specified, Ta=+25 °C, VSYS=5.0 V)

Parameter	Symbol	Limit			Unit	Condition
		Min	Typ	Max		
Output Voltage	V_{O_BK2}	0.990	1.000	1.010	V	$V_o = 1.0\text{ V}$ $I_o = 200\text{ mA}$, PWM fix Mode
Programmable Output Voltage Range	V_{ORG_BK2}	0.7	-	1.3	V	10 mV step
Quiescent Current	I_{Q_BK2}	-	15	-	μA	$V_o = 1.0\text{ V}$ $I_o = 0\text{ mA}$, Auto mode
Maximum Output Current	I_{OMAX_BK2}	4000	-	-	mA	
Over Current Protection	I_{OCP_BK2}	5500	-	-	mA	Peak current of inductor ^(Note 1)
DC Output Voltage Load Regulation	ΔV_{LDR_BK2}	-1	0	+1	%	$I_o = 1\text{ mA}$ to I_{omax} , PWM fix Mode
Efficiency	η_{BK2_1mA}	-	80	-	%	$I_o = 1\text{ mA}$, $V_o = 1.0\text{ V}$
	η_{BK2_500mA}	-	86	-	%	$I_o = 500\text{ mA}$, $V_o = 1.0\text{ V}$
	η_{BK2_max}	-	72	-	%	$I_o = I_{omax}$, $V_o = 1.0\text{ V}$
Oscillating Frequency	f_{SW_BK2}	-	2	-	MHz	PWM fix mode, $I_o = 0\text{ mA}$
Start up Time	t_{ST_BK2}	-	180	500	μs	During EN to 90% of nominal Voltage, BUCK2_RAMPRATE_RUN[1:0] = 01
Discharge Resistance	R_{D_BK2}	-	100	-	Ω	
Low Side VR Fault Detect Level	D_{VRFBK2_L}	-	80	-	%	$V_o = 1.0\text{ V}$ (FB = Sweep down) VR fault detect level / $V_o \times 100$
Low Side VR Fault Detect Hysteresis	D_{VRFBK2_LHYS}	-	10	-	%	(VR fault release level - detect level) / $V_o \times 100$
High Side VR Fault Detect Level	D_{VRBK2_H}	-	130	-	%	$V_o = 1.0\text{ V}$ (FB = Sweep up) Power good detect level / $V_o \times 100$
High Side VR Fault Detect Hysteresis	D_{VRFBK2_HHYS}	-	20	-	%	(VR fault detect level - release level) / $V_o \times 100$
Output Inductance	L_{BK2}	-	0.47	-	μH	(Note 2)
Output Capacitance	C_{OBK2}	22	44	100	μF	(Note 2) Effective capacitance with BUCK's DC bias Max value is limited by ramp rate. <Output Max Capacitance> ramp rate 1.25 mV, 2.5 mV, 5 mV : 100 μF ramp rate 10 mV : 50 μF

(Note 1) For Buck- DCDC converters, (minimum Over Current Protection Current – ½ inductor ripple current) is the maximum output current.

(Note 2) This part value range need to be guaranteed over the operating surrounding temperature.

5.2.2.3. BUCK2 Control

Table 5-9. BUCK2_CTRL - BUCK2 Control Register

Register Name	R/W	D7	D6	D5	D4	D3	D2	D1	D0	Initial	Address
BUCK2_CTRL	R/W	BUCK2_RAMPRATE[1:0]	-	-	-	BUCK2_PWM_FIX	-	BUCK2_SEL	BUCK2_EN	0x40	0x06

Bit	Name	Function	Initial
D[7:6]	BUCK2_RAMPRATE[1:0]	BUCK2 DVS ramp rate 00 = 10 mV/μs 01 = 5 mV/μs 10 = 2.5 mV/μs 11 = 1.25 mV/μs Note : When BUCK2 voltage starts up from 0V, the ramp rate is fixed 5mV/μs, regardless of the value of BUCK2_RAMPRATE[1:0].	01
D[3]	BUCK2_PWM_FIX	0 – AUTO PWM/PFM mode VR adjusts the operating mode (PFM/PWM) automatically based on the load current to maximize power efficiency. 1 – Forced PWM Mode VR operates in PWM mode only.	0
D[1]	BUCK2_SEL	BUCK2 control select bit 0 = BUCK2 ON/OFF is controlled by state machine. 1 = BUCK2 ON/OFF is controlled by D[0] on this register.	0
D[0]	BUCK2_EN	BUCK2 control bit with condition of D[1] 0 = BUCK2 OFF 1 = BUCK2 ON This bit returns to 0 at the beginning of PWROFF sequence or emergency shutdown. When system is in SNVS or SUSPEND, BUCK2_SEL = 1 and BUCK2_EN = 1, BUCK2 voltage is specified by BUCK2_VOLT_IDLE register.	0

Table 5-10. BUCK2_VOLT_RUN - BUCK2 Voltage (RUN) Register

Register Name	R/W	D7	D6	D5	D4	D3	D2	D1	D0	Initial	Address
BUCK2_VOLT_RUN	R/W	-	-	BUCK2_VOLT_RUN[5:0]						0x1E	0x10

Bit	Name	Function	Initial
D[5:0]	BUCK2_VOLT_RUN[5:0]	BUCK2 voltage when Power State = RUN 0x00 = 0.70 V 0x01 = 0.71 V 0x02 = 0.72 V 0x03 = 0.73 V 0x04 = 0.74 V 0x05 = 0.75 V 0x06 = 0.76 V 0x07 = 0.77 V 0x08 = 0.78 V 0x09 = 0.79 V 0x0A = 0.80 V 0x0B = 0.81 V 0x0C = 0.82 V 0x0D = 0.83 V 0x0E = 0.84 V 0x0F = 0.85 V 0x10 = 0.86 V 0x11 = 0.87 V 0x12 = 0.88 V 0x13 = 0.89 V 0x14 = 0.90 V 0x15 = 0.91 V 0x16 = 0.92 V 0x17 = 0.93 V 0x18 = 0.94 V 0x19 = 0.95 V 0x1A = 0.96 V 0x1B = 0.97 V 0x1C = 0.98 V 0x1D = 0.99 V 0x1E = 1.00 V (initial) 0x1F = 1.01 V 0x20 = 1.02 V 0x21 = 1.03 V 0x22 = 1.04 V 0x23 = 1.05 V 0x24 = 1.06 V 0x25 = 1.07 V 0x26 = 1.08 V 0x27 = 1.09 V 0x28 = 1.10 V 0x29 = 1.11 V 0x2A = 1.12 V 0x2B = 1.13 V 0x2C = 1.14 V 0x2D = 1.15 V 0x2E = 1.16 V 0x2F = 1.17 V 0x30 = 1.18 V 0x31 = 1.19 V 0x32 = 1.20 V 0x33 = 1.21 V 0x34 = 1.22 V 0x35 = 1.23 V 0x36 = 1.24 V 0x37 = 1.25 V 0x38 = 1.26 V 0x39 = 1.27 V 0x3A = 1.28 V 0x3B = 1.29 V 0x3C = 1.30 V 0x3D = 1.30 V 0x3E = 1.30 V 0x3F = 1.30 V	011110

5.2.2.3. BUCK2 Control – continued

Table 5-11. BUCK2_VOLT_IDLE - BUCK2 Voltage (IDLE) Register

Register Name	R/W	D7	D6	D5	D4	D3	D2	D1	D0	Initial	Address
BUCK2_VOLT_IDLE	R/W	-	-	BUCK2_VOLT_IDLE[5:0]						0x14	0x11

Bit	Name	Function	Initial
D[5:0]	BUCK2_VOLT_IDLE[5:0]	BUCK2 voltage when Power State = IDLE 0x00 = 0.70 V 0x01 = 0.71 V 0x02 = 0.72 V 0x03 = 0.73 V 0x04 = 0.74 V 0x05 = 0.75 V 0x06 = 0.76 V 0x07 = 0.77 V 0x08 = 0.78 V 0x09 = 0.79 V 0x0A = 0.80 V 0x0B = 0.81 V 0x0C = 0.82 V 0x0D = 0.83 V 0x0E = 0.84 V 0x0F = 0.85 V 0x10 = 0.86 V 0x11 = 0.87 V 0x12 = 0.88 V 0x13 = 0.89 V 0x14 = 0.90 V (initial) 0x15 = 0.91 V 0x16 = 0.92 V 0x17 = 0.93 V 0x18 = 0.94 V 0x19 = 0.95 V 0x1A = 0.96 V 0x1B = 0.97 V 0x1C = 0.98 V 0x1D = 0.99 V 0x1E = 1.00 V 0x1F = 1.01 V 0x20 = 1.02 V 0x21 = 1.03 V 0x22 = 1.04 V 0x23 = 1.05 V 0x24 = 1.06 V 0x25 = 1.07 V 0x26 = 1.08 V 0x27 = 1.09 V 0x28 = 1.10 V 0x29 = 1.11 V 0x2A = 1.12 V 0x2B = 1.13 V 0x2C = 1.14 V 0x2D = 1.15 V 0x2E = 1.16 V 0x2F = 1.17 V 0x30 = 1.18 V 0x31 = 1.19 V 0x32 = 1.20 V 0x33 = 1.21 V 0x34 = 1.22 V 0x35 = 1.23 V 0x36 = 1.24 V 0x37 = 1.25 V 0x38 = 1.26 V 0x39 = 1.27 V 0x3A = 1.28 V 0x3B = 1.29 V 0x3C = 1.30 V 0x3D = 1.30 V 0x3E = 1.30 V 0x3F = 1.30 V	010100

5.2.3. BUCK3

5.2.3.1. BUCK3 Block Diagram

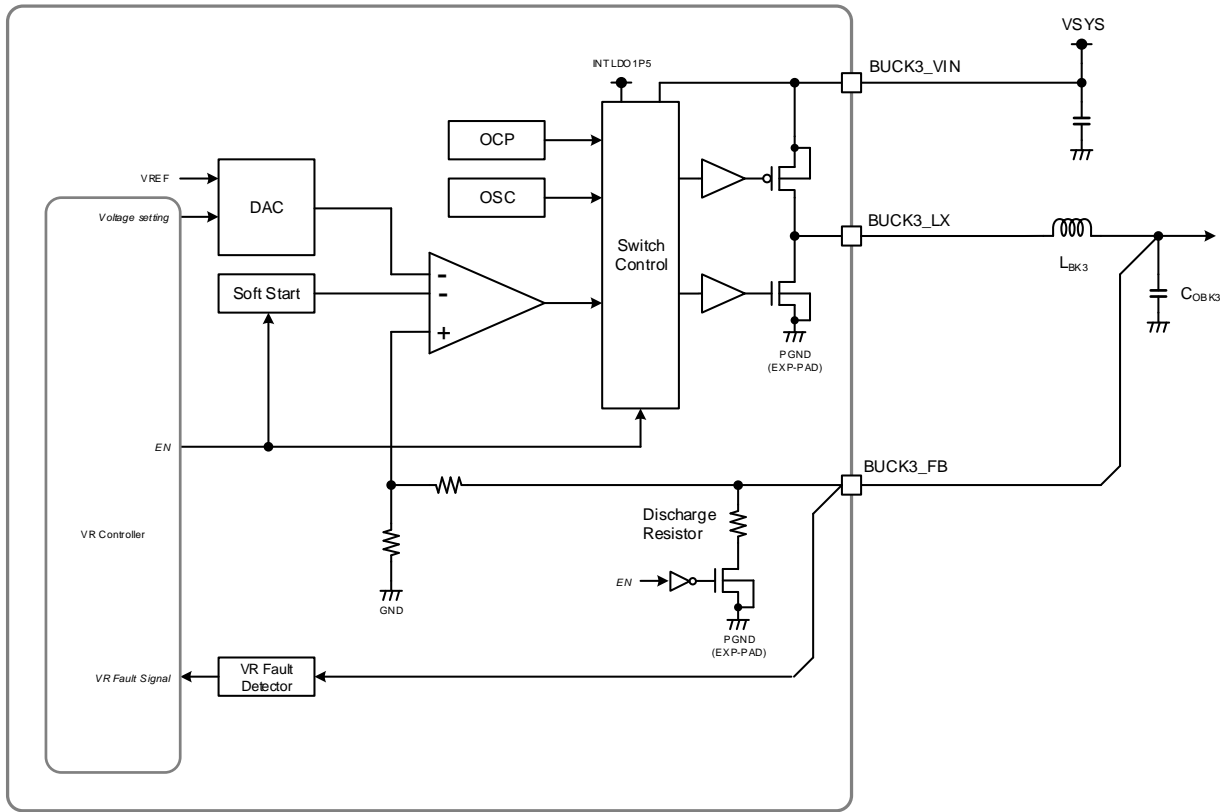


Figure 5-3. BUCK3 Block Diagram

5.2.3.2. BUCK3 Electrical Characteristics

Table 5-12. BUCK3 Electrical Characteristics

(Unless otherwise specified, Ta=+25 °C, VSYS=5.0 V)

Parameter	Symbol	Limit			Unit	Condition
		Min	Typ	Max		
Output Voltage	V _{O_BK3}	0.990	1.000	1.010	V	V _o = 1.0 V I _o = 200 mA, PWM fix Mode
Programmable Output Voltage Range	V _{ORG_BK3}	0.7	-	1.3	V	10 mV step
Quiescent Current	I _{Q_BK3}	-	15	-	μA	V _o = 1.0 V I _o = 0 mA, Auto mode
Maximum Output Current	I _{OMAX_BK3}	2100	-	-	mA	
Over Current Protection	I _{OCP_BK3}	3150	-	-	mA	Peak current of inductor ^(Note 1)
DC Output Voltage Load Regulation	ΔV _{LDR_BK3}	-1	0	+1	%	I _o = 1 mA to I _o max, PWM fix Mode
Efficiency	η _{BK3_1mA}	-	80	-	%	I _o = 1 mA, V _o = 1.0 V
	η _{BK3_500mA}	-	85	-	%	I _o = 500 mA, V _o = 1.0 V
	η _{BK3_max}	-	79	-	%	I _o = I _o max, V _o = 1.0 V
Oscillating Frequency	f _{SW_BK3}	-	2	-	MHz	PWM fix mode, I _o = 0 mA
Start up Time	t _{ST_BK3}	-	180	500	μs	During EN to 90% of nominal Voltage, BUCK3_RAMPRATE_RUN[1:0] = 01
Discharge Resistance	R _{D_BK3}	-	100	-	Ω	
Low Side VR Fault Detect Level	D _{VRFBK3_L}	-	80	-	%	V _o = 1.0 V (FB = Sweep down) VR fault detect level / V _o x 100
Low Side VR Fault Detect Hysteresis	D _{VRFBK3_LHYS}	-	10	-	%	(VR fault release level - detect level) / V _o x 100
High Side VR Fault Detect Level	D _{VRBK3_H}	-	130	-	%	V _o = 1.0 V (FB = Sweep up) Power good detect level / V _o x 100
High Side VR Fault Detect Hysteresis	D _{VRFBK3_HHYS}	-	20	-	%	(VR fault detect level - release level) / V _o x 100
Output Inductance	L _{BK3}	-	0.47	-	μH	(Note 2)
Output Capacitance	C _{OBK3}	11	22	100	μF	(Note 2) Effective capacitance with BUCK's DC bias Max value is limited by ramp rate. <Output Max Capacitance> ramp rate 1.25 mV, 2.5 mV, 5 mV : 100 μF ramp rate 10 mV : 50 μF

(Note 1) For Buck- DCDC converters, (minimum Over Current Protection Current – ½ inductor ripple current) is the maximum output current.

(Note 2) This part value range need to be guaranteed over the operating surrounding temperature.

5.2.3.3. BUCK3 Control

Table 5-13. BUCK3_CTRL - BUCK3 Control Register

Register Name	R/W	D7	D6	D5	D4	D3	D2	D1	D0	Initial	Address
BUCK3_CTRL	R/W	BUCK3_RAMPRATE[1:0]	-	-	-	BUCK3_PWM_FIX	BUCK3_RUN_ON	BUCK3_SEL	BUCK3_EN	0x44	0x07

Bit	Name	Function	Initial
D[7:6]	BUCK3_RAMPRATE[1:0]	BUCK3 DVS ramp rate 00 = 10 mV/μs 01 = 5 mV/μs 10 = 2.5 mV/μs 11 = 1.25 mV/μs Note : When BUCK3 voltage starts up from 0V, the ramp rate is fixed 5mV/μs, regardless of the value of BUCK3_RAMPRATE[1:0].	01
D[3]	BUCK3_PWM_FIX	0 – AUTO PWM/PFM mode VR adjusts the operating mode (PFM/PWM) automatically based on the load current to maximize power efficiency. 1 – Forced PWM Mode VR operates in PWM mode only.	0
D[2]	BUCK3_RUN_ON	0 = BUCK3 is OFF when entering RUN state 1 = BUCK3 is ON when entering RUN state	1
D[1]	BUCK3_SEL	BUCK3 control select bit 0 = BUCK3 ON/OFF is controlled by state machine. 1 = BUCK3 ON/OFF is controlled by D[0] on this register.	0
D[0]	BUCK3_EN	BUCK3 control bit with condition of D[1] 0 = BUCK3 OFF 1 = BUCK3 ON This bit returns to 0 at the beginning of PWROFF sequence or emergency shutdown.	0

Table 5-14. BUCK3_VOLT_RUN - BUCK3 Voltage (RUN) Register

Register Name	R/W	D7	D6	D5	D4	D3	D2	D1	D0	Initial	Address
BUCK3_VOLT_RUN	R/W	-	-	BUCK3_VOLT_RUN[5:0]						0x1E	0x12

Bit	Name	Function	Initial
D[5:0]	BUCK3_VOLT_RUN[5:0]	BUCK3 voltage when Power State = RUN 0x00 = 0.70 V 0x01 = 0.71 V 0x02 = 0.72 V 0x03 = 0.73 V 0x04 = 0.74 V 0x05 = 0.75 V 0x06 = 0.76 V 0x07 = 0.77 V 0x08 = 0.78 V 0x09 = 0.79 V 0x0A = 0.80 V 0x0B = 0.81 V 0x0C = 0.82 V 0x0D = 0.83 V 0x0E = 0.84 V 0x0F = 0.85 V 0x10 = 0.86 V 0x11 = 0.87 V 0x12 = 0.88 V 0x13 = 0.89 V 0x14 = 0.90 V 0x15 = 0.91 V 0x16 = 0.92 V 0x17 = 0.93 V 0x18 = 0.94 V 0x19 = 0.95 V 0x1A = 0.96 V 0x1B = 0.97 V 0x1C = 0.98 V 0x1D = 0.99 V 0x1E = 1.00 V (initial) 0x1F = 1.01 V 0x20 = 1.02 V 0x21 = 1.03 V 0x22 = 1.04 V 0x23 = 1.05 V 0x24 = 1.06 V 0x25 = 1.07 V 0x26 = 1.08 V 0x27 = 1.09 V 0x28 = 1.10 V 0x29 = 1.11 V 0x2A = 1.12 V 0x2B = 1.13 V 0x2C = 1.14 V 0x2D = 1.15 V 0x2E = 1.16 V 0x2F = 1.17 V 0x30 = 1.18 V 0x31 = 1.19 V 0x32 = 1.20 V 0x33 = 1.21 V 0x34 = 1.22 V 0x35 = 1.23 V 0x36 = 1.24 V 0x37 = 1.25 V 0x38 = 1.26 V 0x39 = 1.27 V 0x3A = 1.28 V 0x3B = 1.29 V 0x3C = 1.30 V 0x3D = 1.30 V 0x3E = 1.30 V 0x3F = 1.30 V	011110

5.2.4. BUCK4

5.2.4.1. BUCK4 Block Diagram

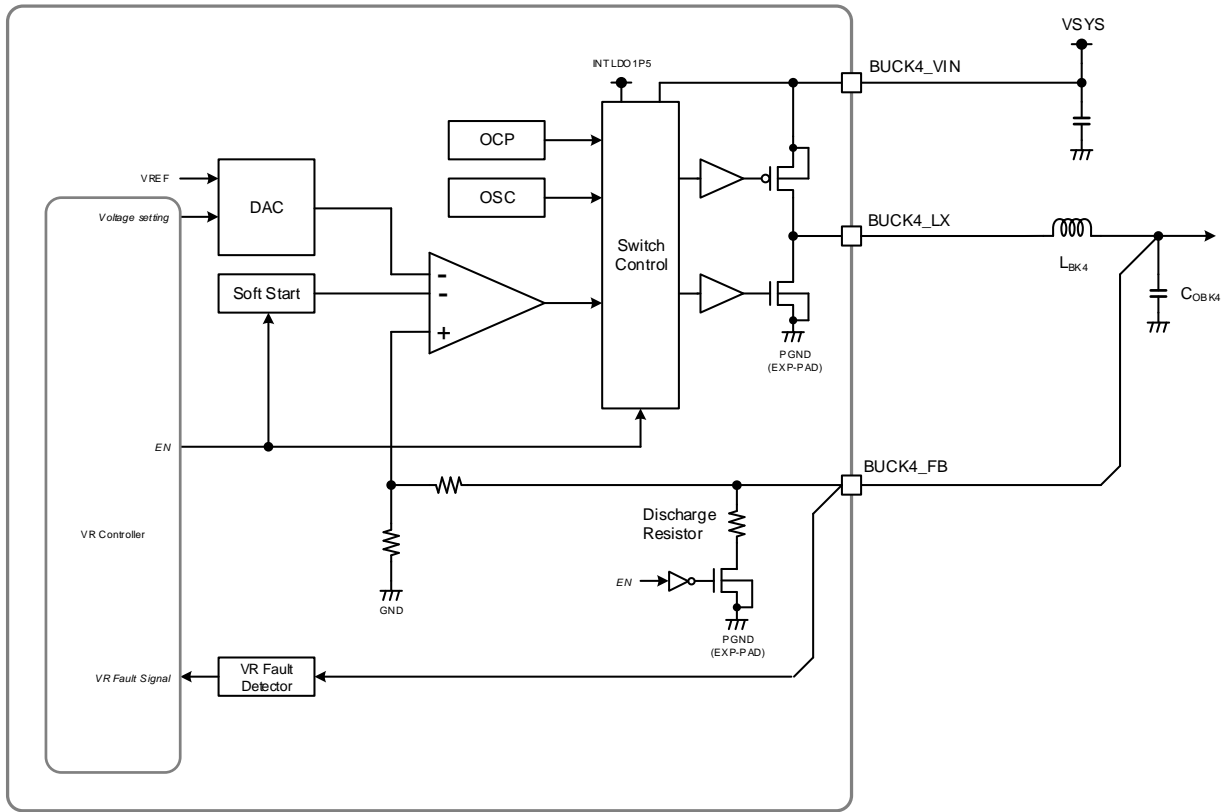


Figure 5-4. BUCK4 Block Diagram

5.2.4.2. BUCK4 Electrical Characteristics

Table 5-15. BUCK4 Electrical Characteristics

(Unless otherwise specified, Ta=+25 °C, V_{SYS}=5.0 V)

Parameter	Symbol	Limit			Unit	Condition
		Min	Typ	Max		
Output Voltage	V _{O_BK4}	0.990	1.000	1.010	V	V _o = 1.0 V I _o = 200 mA, PWM fix Mode
Programmable Output Voltage Range	V _{ORG_BK4}	0.7	-	1.3	V	10 mV step
Quiescent Current	I _{Q_BK4}	-	15	-	μA	V _o = 1.0 V I _o = 0 mA, Auto mode
Maximum Output Current	I _{OMAX_BK4}	1000	-	-	mA	
Over Current Protection	I _{OCP_BK4}	2500	-	-	mA	Peak current of inductor ^(Note 1)
DC Output Voltage Load Regulation	ΔV _{LDR_BK4}	-1	0	+1	%	I _o = 1 mA to I _o max, PWM fix Mode
Efficiency	η _{BK4_1mA}	-	80	-	%	I _o = 1 mA, V _o = 1.0 V
	η _{BK4_500mA}	-	85	-	%	I _o = 500 mA, V _o = 1.0 V
	η _{BK4_max}	-	84	-	%	I _o = I _o max, V _o = 1.0 V
Oscillating Frequency	f _{SW_BK4}	-	2	-	MHz	PWM fix mode, I _o = 0 mA
Start up Time	t _{ST_BK4}	-	180	500	μs	During EN to 90% of nominal Voltage, BUCK4_RAMPRATE_RUN[1:0] = 01
Discharge Resistance	R _{D_BK4}	-	100	-	Ω	
Low Side VR Fault Detect Level	D _{VRFBK4_L}	-	80	-	%	V _o = 1.0 V (FB = Sweep down) VR fault detect level / V _o x 100
Low Side VR Fault Detect Hysteresis	D _{VRFBK4_LHYS}	-	10	-	%	(VR fault release level - detect level) / V _o x 100
High Side VR Fault Detect Level	D _{VRBK4_H}	-	130	-	%	V _o = 1.0 V (FB = Sweep up) Power good detect level / V _o x 100
High Side VR Fault Detect Hysteresis	D _{VRFBK4_HHYS}	-	20	-	%	(VR fault detect level - release level) / V _o x 100
Output Inductance	L _{BK4}	-	0.47	-	μH	(Note 2)
Output Capacitance	C _{OBK4}	11	22	100	μF	(Note 2) Effective capacitance with BUCK's DC bias Max value is limited by ramp rate. <Output Max Capacitance> ramp rate 1.25 mV, 2.5 mV, 5 mV : 100 μF ramp rate 10 mV : 50 μF

(Note 1) For Buck- DCDC converters, (minimum Over Current Protection Current – ½ inductor ripple current) is the maximum output current.

(Note 2) This part value range need to be guaranteed over the operating surrounding temperature.

5.2.4.3. BUCK4 Control

Table 5-16. BUCK4_CTRL - BUCK4 Control Register

Register Name	R/W	D7	D6	D5	D4	D3	D2	D1	D0	Initial	Address
BUCK4_CTRL	R/W	BUCK4_RAMPRATE[1:0]	-	-	-	BUCK4_PWM_FIX	BUCK4_RUN_ON	BUCK4_SEL	BUCK4_EN	0x44	0x08

Bit	Name	Function	Initial
D[7:6]	BUCK4_RAMPRATE[1:0]	BUCK4 DVS ramp rate 00 = 10 mV/μs 01 = 5 mV/μs 10 = 2.5 mV/μs 11 = 1.25 mV/μs Note : When BUCK4 voltage starts up from 0V, the ramp rate is fixed 5mV/μs, regardless of the value of BUCK4_RAMPRATE[1:0].	01
D[3]	BUCK4_PWM_FIX	0 – AUTO PWM/PFM mode VR adjusts the operating mode (PFM/PWM) automatically based on the load current to maximize power efficiency. 1 – Forced PWM Mode VR operates in PWM mode only.	0
D[2]	BUCK4_RUN_ON	0 = BUCK4 is OFF when entering RUN state 1 = BUCK4 is ON when entering RUN state	1
D[1]	BUCK4_SEL	BUCK4 control select bit 0 = BUCK4 ON/OFF is controlled by state machine. 1 = BUCK4 ON/OFF is controlled by D[0] on this register.	0
D[0]	BUCK4_EN	BUCK4 control bit with condition of D[1] 0 = BUCK4 OFF 1 = BUCK4 ON This bit returns to 0 at the beginning of PWROFF sequence or emergency shutdown.	0

Table 5-17. BUCK4_VOLT_RUN - BUCK4 Voltage (RUN) Register

Register Name	R/W	D7	D6	D5	D4	D3	D2	D1	D0	Initial	Address
BUCK4_VOLT_RUN	R/W	-	-	BUCK4_VOLT_RUN[5:0]						0x1E	0x13

Bit	Name	Function	Initial
D[5:0]	BUCK4_VOLT_RUN[5:0]	BUCK4 voltage when Power State = RUN 0x00 = 0.70 V 0x01 = 0.71 V 0x02 = 0.72 V 0x03 = 0.73 V 0x04 = 0.74 V 0x05 = 0.75 V 0x06 = 0.76 V 0x07 = 0.77 V 0x08 = 0.78 V 0x09 = 0.79 V 0x0A = 0.80 V 0x0B = 0.81 V 0x0C = 0.82 V 0x0D = 0.83 V 0x0E = 0.84 V 0x0F = 0.85 V 0x10 = 0.86 V 0x11 = 0.87 V 0x12 = 0.88 V 0x13 = 0.89 V 0x14 = 0.90 V 0x15 = 0.91 V 0x16 = 0.92 V 0x17 = 0.93 V 0x18 = 0.94 V 0x19 = 0.95 V 0x1A = 0.96 V 0x1B = 0.97 V 0x1C = 0.98 V 0x1D = 0.99 V 0x1E = 1.00 V (initial) 0x1F = 1.01 V 0x20 = 1.02 V 0x21 = 1.03 V 0x22 = 1.04 V 0x23 = 1.05 V 0x24 = 1.06 V 0x25 = 1.07 V 0x26 = 1.08 V 0x27 = 1.09 V 0x28 = 1.10 V 0x29 = 1.11 V 0x2A = 1.12 V 0x2B = 1.13 V 0x2C = 1.14 V 0x2D = 1.15 V 0x2E = 1.16 V 0x2F = 1.17 V 0x30 = 1.18 V 0x31 = 1.19 V 0x32 = 1.20 V 0x33 = 1.21 V 0x34 = 1.22 V 0x35 = 1.23 V 0x36 = 1.24 V 0x37 = 1.25 V 0x38 = 1.26 V 0x39 = 1.27 V 0x3A = 1.28 V 0x3B = 1.29 V 0x3C = 1.30 V 0x3D = 1.30 V 0x3E = 1.30 V 0x3F = 1.30 V	011110

5.2.5. BUCK5

5.2.5.1. BUCK5 Block Diagram

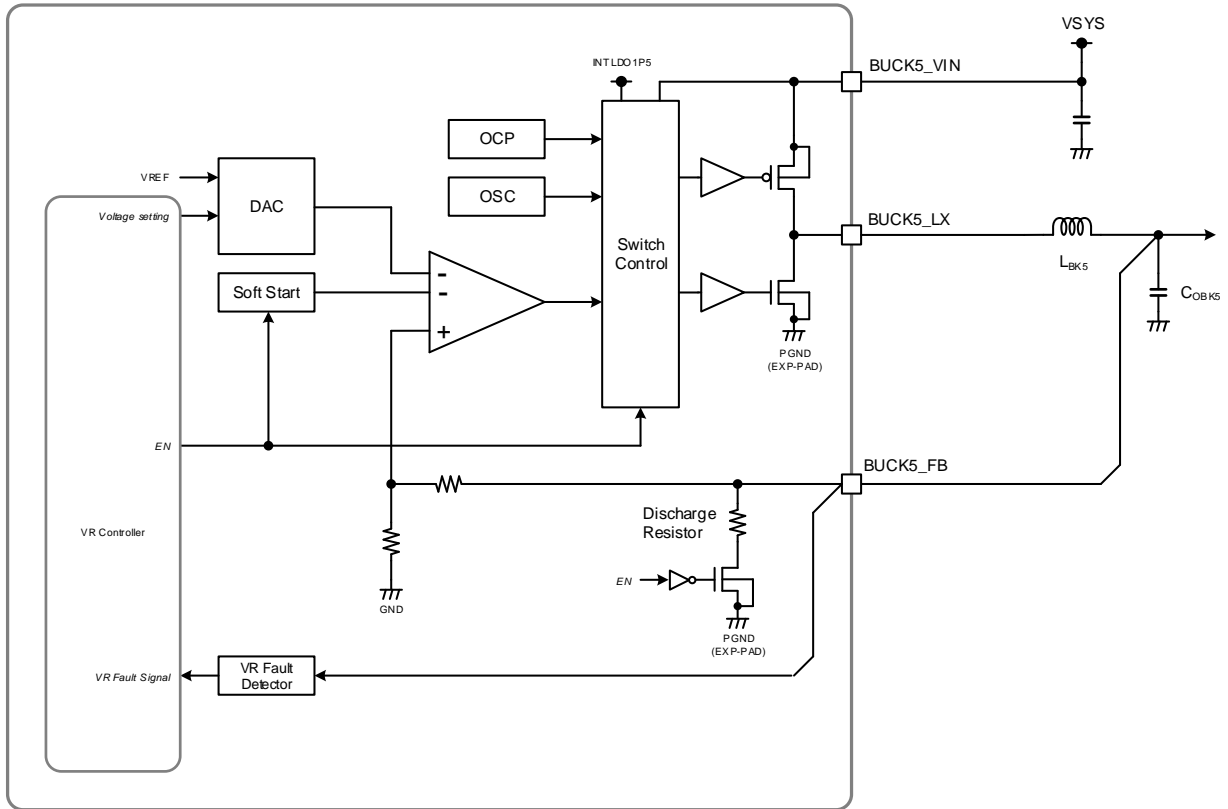


Figure 5-5. BUCK5 Block Diagram

5.2.5.2. BUCK5 Electrical Characteristics

Table 5-18. BUCK5 Electrical Characteristics

(Unless otherwise specified, Ta=+25 °C, V_{SYS}=5.0 V)

Parameter	Symbol	Limit			Unit	Condition
		Min	Typ	Max		
Output Voltage	V _{O_BK5}	0.990	1.000	1.010	V	V _o = 1.0 V I _o = 200 mA, PWM fix Mode
Programmable Output Voltage Range	V _{ORG_BK5}	0.70	-	1.35	V	0.70 V, 0.80 V, 0.90 V, 1.00 V, 1.05 V, 1.10 V, 1.20 V, 1.35 V
Quiescent Current	I _{Q_BK5}	-	15	-	μA	V _o = 1.0 V I _o = 0 mA, Auto mode
Maximum Output Current	I _{OMAX_BK5}	2500	-	-	mA	
Over Current Protection	I _{OCP_BK5}	3500	-	-	mA	Peak current of inductor ^(Note 1)
DC Output Voltage Load Regulation	ΔV _{LDR_BK5}	-1	0	+1	%	I _o = 1 mA to I _o max, PWM fix Mode
Efficiency	η _{BK5_1mA}	-	79	-	%	I _o = 1 mA, V _o = 1.0 V
	η _{BK5_500mA}	-	85	-	%	I _o = 500 mA, V _o = 1.0 V
	η _{BK5_max}	-	75	-	%	I _o = I _o max, V _o = 1.0 V
Oscillating Frequency	f _{SW_BK5}	-	2	-	MHz	PWM fix mode, I _o = 0 mA
Start up Time	t _{ST_BK5}	-	160	500	μs	During EN to 90% of nominal Voltage
Discharge Resistance	R _{D_BK5}	-	100	-	Ω	
Low Side VR Fault Detect Level	D _{VRFBK5_L}	-	80	-	%	V _o = 1.0 V (FB = Sweep down) VR fault detect level / V _o x 100
Low Side VR Fault Detect Hysteresis	D _{VRFBK5_LHYS}	-	10	-	%	(VR fault release level - detect level) / V _o x 100
High Side VR Fault Detect Level	D _{VRBK5_H}	-	130	-	%	V _o = 1.0 V (FB = Sweep up) Power good detect level / V _o x 100
High Side VR Fault Detect Hysteresis	D _{VRFBK5_HHYS}	-	20	-	%	(VR fault detect level - release level) / V _o x 100
Output Inductance	L _{BK5}	-	0.47	-	μH	^(Note 2)
Output Capacitance	C _{OBK5}	11	22	100	μF	^(Note 2) Effective capacitance with BUCK's DC bias

^(Note 1) For Buck- DCDC converters, (minimum Over Current Protection Current – ½ inductor ripple current) is the maximum output current.^(Note 2) This part value range need to be guaranteed over the operating surrounding temperature.

5.2.5.3. BUCK5 Control

Table 5-19. BUCK5_CTRL - BUCK5 Control Register

Register Name	R/W	D7	D6	D5	D4	D3	D2	D1	D0	Initial	Address
BUCK5_CTRL	R/W	-	-	-	-	BUCK5_PWM_M_FIX	-	BUCK5_SEL	BUCK5_EN	0x00	0x09

Bit	Name	Function	Initial
D[3]	BUCK5_PWM_FIX	0 – AUTO PWM/PFM mode VR adjusts the operating mode (PFM/PWM) automatically based on the load current to maximize power efficiency. 1 – Forced PWM Mode VR operates in PWM mode only.	0
D[1]	BUCK5_SEL	BUCK5 control select bit 0 = BUCK5 ON/OFF is controlled by state machine. 1 = BUCK5 ON/OFF is controlled by D[0] on this register.	0
D[0]	BUCK5_EN	BUCK5 control bit with condition of D[1] 0 = BUCK5 OFF 1 = BUCK5 ON This bit returns to 0 at the beginning of PWROFF sequence or emergency shutdown.	0

Table 5-20. BUCK5_VOLT - BUCK5 Voltage Register

Register Name	R/W	D7	D6	D5	D4	D3	D2	D1	D0	Initial	Address
BUCK5_VOLT	R/W	BUCK5_VOLT_SEL	-	-	-	-	BUCK5_VOLT[2:0]			0x03	0x14

Bit	Name	Function	Initial
D[7]	BUCK5_VOLT_SEL	Select the BUCK5 voltage range set by D[2:0]. 0 = 0.70 V to 1.35 V 1 = 0.675 V to 1.325 V Note: Changing BUCK5 voltage value is not allowed when BUCK5 is still ON. In the case where this register value is changed, BUCK5 should be turned OFF.	0
D[2:0]	BUCK5_VOLT[2:0]	BUCK5 voltage If D[7]=0, 000 = 0.70 V 001 = 0.80 V 010 = 0.90 V 011 = 1.00 V (Initial) 100 = 1.05 V 101 = 1.10 V 110 = 1.20 V 111 = 1.35 V If D[7]=1, 000 = 0.675 V 001 = 0.775 V 010 = 0.875 V 011 = 0.975 V 100 = 1.025 V 101 = 1.075 V 110 = 1.175 V 111 = 1.325 V Note: Changing BUCK5 voltage value is not allowed when BUCK5 is still ON. In the case where this register value is changed, BUCK5 should be turned OFF.	011

5.2.6. BUCK6

5.2.6.1. BUCK6 Block Diagram

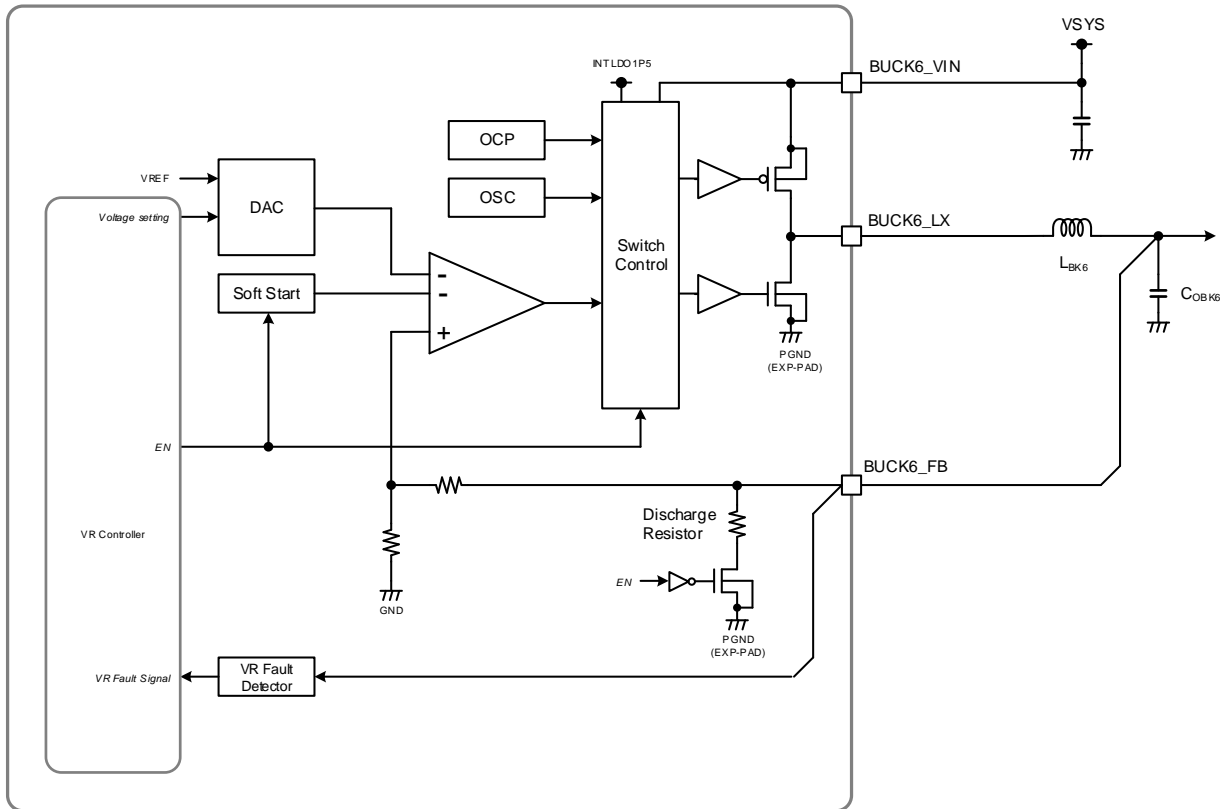


Figure 5-6. BUCK6 Block Diagram

BUCK6 can be configured to the highest output voltage up to 3.3V. There is no concern for subharmonic oscillations even at 50% or higher switching duty cycle as the Buck regulator adopts hysteretic topology. However, there might be consideration required for the input and output voltage headroom as described in the “Headroom for BUCK6” section in the “5.2.6.2 BUCK6 Electrical Characteristics” of this datasheet.

5.2.6.2. BUCK6 Electrical Characteristics

Table 5-21. BUCK6 Electrical Characteristics

(Unless otherwise specified, Ta=+25 °C, VSYS=5.0 V)

Parameter	Symbol	Limit			Unit	Condition
		Min	Typ	Max		
Output Voltage	V _{O_BK6}	3.267	3.300	3.333	V	Vo=3.3 V Io = 200 mA, PWM fix Mode
Programmable Output Voltage Range	V _{ORG_BK6}	3.0	-	3.3	V	3.0 V, 3.1 V, 3.2 V, 3.3 V
Quiescent Current	I _{Q_BK6}	-	9	-	μA	Vo=3.3 V Io=0 mA, Auto mode
Maximum Output Current	I _{OMAX_BK6}	3000	-	-	mA	
Over Current Protection	I _{OCP_BK6}	4500	-	-	mA	Peak current of inductor ^(Note 1)
DC Output Voltage Load Regulation	ΔV _{LDR_BK6}	-1	0	+1	%	Io=1 mA to Iomax, PWM fix Mode
Efficiency	η _{BK6_1mA}	-	92	-	%	Io = 1 mA, Vo=3.3 V
	η _{BK6_500mA}	-	95	-	%	Io = 500 mA, Vo=3.3 V
	η _{BK6_max}	-	88	-	%	Io = Iomax, Vo=3.3 V
Oscillating Frequency	f _{SW_BK6}	-	1.5	-	MHz	PWM fix mode, Io = 0 mA
Start up Time	t _{ST_BK6}	-	240	500	μs	During EN to 90% of nominal Voltage
Discharge Resistance	R _{D_BK6}	-	100	-	Ω	
Low Side VR Fault Detect Level	D _{VRFBK6_L}	-	80	-	%	Vo = 3.3 V (FB = Sweep down) VR fault detect level / Vo x 100
Low Side VR Fault Detect Hysteresis	D _{VRFBK6_LHYS}	-	10	-	%	(VR fault release level - detect level) / Vo x 100
High Side VR Fault Detect Level	D _{VRBK6_H}	-	130	-	%	Vo = 3.3 V (FB = Sweep up) Power good detect level / Vo x 100
High Side VR Fault Detect Hysteresis	D _{VRFBK6_HHYS}	-	20	-	%	(VR fault detect level - release level) / Vo x 100
Output Inductance	L _{BK6}	-	1	-	μH	(Note 2)
Output Capacitance	C _{OBK6}	15.4	44	100	μF	(Note 2) Effective capacitance with BUCK's DC bias

(Note 1) For Buck- DCDC converters, (minimum Over Current Protection Current – ½ inductor ripple current) is the maximum output current.

(Note 2) This part value range need to be guaranteed over the operating surrounding temperature.

Headroom for BUCK6

BUCK6 cannot maintain output voltage when the input voltage is close to the output voltage. The headroom voltage is determined by output current and the impedance from V_{SY} to BUCK6 output including the inductor parasitic impedance (DCR). The PMIC internal impedance from BUCK6_VIN to BUCK6_LX is 121 mΩ at the worst case. Please calculate total impedance using this value, and secure enough headroom for V_{SY} according to the output current and voltage.

(Example – ROHM Evaluation Board case)

Vo = 3.3V setting: V_OV_{SY} to BUCK6_VIN impedance of the EVB = 3 mΩ: R_{VIN}BUCK6_LX to inductor impedance of the EVB = 6 mΩ: R_{LX}Inductor parasitic impedance (DCR) = 45 mΩ: R_{IND}PMIC internal impedance from BUCK6_VIN to BUCK6_LX = 121 mΩ: R_{PMIC}Total impedance = 175 mΩ: R_{TOTAL}=R_{VIN}+R_{LX}+R_{IND}+R_{PMIC}Headroom = R_{TOTAL} X Output Current

Output current	Required minimum V _{SY} voltage
1.0 A	3.475 V
2.0 A	3.650 V
3.0 A	3.825 V

5.2.6.3. BUCK6 Control

Table 5-22. BUCK6_CTRL - BUCK6 Control Register

Register Name	R/W	D7	D6	D5	D4	D3	D2	D1	D0	Initial	Address
BUCK6_CTRL	R/W	-	-	-	-	BUCK6_PWM M_FIX	-	BUCK6_SEL	BUCK6_EN	0x00	0x0A

Bit	Name	Function	Initial
D[3]	BUCK6_PWM_FIX	0 – AUTO PWM/PFM mode VR adjusts the operating mode (PFM/PWM) automatically based on the load current to maximize power efficiency. 1 – Forced PWM Mode VR operates in PWM mode only.	0
D[1]	BUCK6_SEL	BUCK6 control select bit 0 = BUCK6 ON/OFF is controlled by state machine. 1 = BUCK6 ON/OFF is controlled by D[0] on this register.	0
D[0]	BUCK6_EN	BUCK6 control bit with condition of D[1] 0 = BUCK6 OFF 1 = BUCK6 ON This bit returns to 0 at the beginning of PWROFF sequence or emergency shutdown.	0

Table 5-23. BUCK6_VOLT - BUCK6 Voltage Register

Register Name	R/W	D7	D6	D5	D4	D3	D2	D1	D0	Initial	Address
BUCK6_VOLT	R/W	-	-	-	-	-	-	BUCK6_VOLT[1:0]		0x03	0x15

Bit	Name	Function	Initial
D[1:0]	BUCK6_VOLT[1:0]	BUCK6 voltage 00 = 3.0 V 01 = 3.1 V 10 = 3.2 V 11 = 3.3 V (Initial) Note: Changing BUCK6 voltage value is not allowed when BUCK6 is still ON. In the case where this register value is changed, BUCK6 should be turned OFF.	11

5.2.7. BUCK7

5.2.7.1. BUCK7 Block Diagram

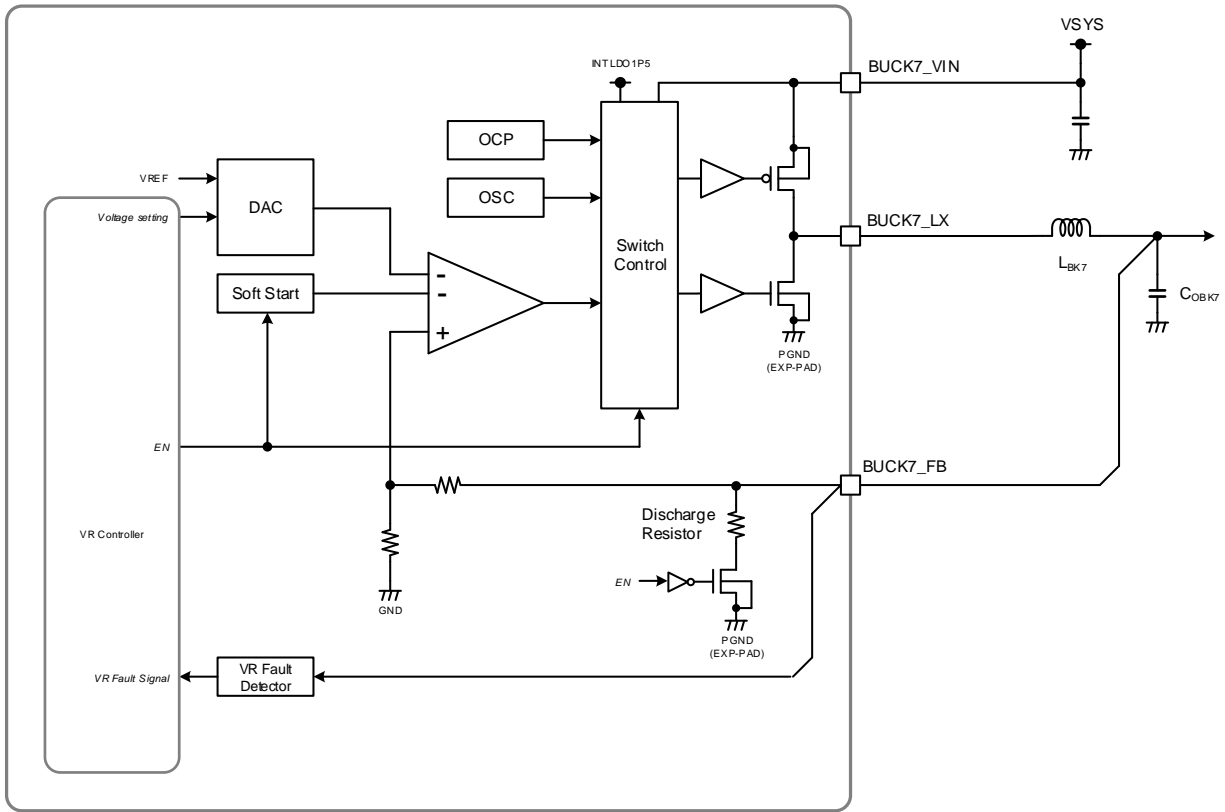


Figure 5-7. BUCK7 Block Diagram

5.2.7.2. BUCK7 Electrical Characteristics

Table 5-24. BUCK7 Electrical Characteristics

(Unless otherwise specified, Ta=+25 °C, VSYS=5.0 V)

Parameter	Symbol	Limit			Unit	Condition
		Min	Typ	Max		
Output Voltage	V_{O_BK7}	1.782	1.800	1.818	V	$V_o = 1.8\text{ V}$ $I_o = 200\text{ mA}$, PWM fix Mode
Programmable Output Voltage Range	V_{ORG_BK7}	1.605	-	1.995	V	1.605 V, 1.695 V, 1.755 V, 1.800 V, 1.845 V, 1.905 V, 1.950 V, 1.995 V
Quiescent Current	I_{Q_BK7}	-	15	-	μA	$V_o = 1.8\text{ V}$ $I_o = 0\text{ mA}$, Auto mode
Maximum Output Current	I_{OMAX_BK7}	1500	-	-	mA	
Over Current Protection	I_{OCP_BK7}	3000	-	-	mA	Peak current of inductor ^(Note 1)
DC Output Voltage Load Regulation	ΔV_{LDR_BK7}	-1	0	+1	%	$I_o = 1\text{ mA}$ to I_{omax} , PWM fix Mode
Efficiency	η_{BK7_1mA}	-	84	-	%	$I_o = 1\text{ mA}$, $V_o = 1.8\text{ V}$
	η_{BK7_500mA}	-	89	-	%	$I_o = 500\text{ mA}$, $V_o = 1.8\text{ V}$
	η_{BK7_max}	-	87	-	%	$I_o = I_{omax}$, $V_o = 1.8\text{ V}$
Oscillating Frequency	f_{SW_BK7}	-	2	-	MHz	PWM fix mode, $I_o = 0\text{ mA}$
Start up Time	t_{ST_BK7}	-	220	500	μs	During EN to 90% of nominal Voltage
Discharge Resistance	R_{D_BK7}	-	100	-	Ω	
Low Side VR Fault Detect Level	D_{VRFBK7_L}	-	80	-	%	$V_o = 1.8\text{ V}$ (FB = Sweep down) VR fault detect level / $V_o \times 100$
Low Side VR Fault Detect Hysteresis	D_{VRFBK7_LHYS}	-	10	-	%	(VR fault release level - detect level) / $V_o \times 100$
High Side VR Fault Detect Level	D_{VRBK7_H}	-	130	-	%	$V_o = 1.8\text{ V}$ (FB = Sweep up) Power good detect level / $V_o \times 100$
High Side VR Fault Detect Hysteresis	D_{VRFBK7_HHYS}	-	20	-	%	(VR fault detect level - release level) / $V_o \times 100$
Output Inductance	L_{BK7}	-	0.47	-	μH	(Note 2)
Output Capacitance	C_{OBK7}	11	22	100	μF	(Note 2) Effective capacitance with BUCK's DC bias

(Note 1) For Buck- DCDC converters, (minimum Over Current Protection Current – ½ inductor ripple current) is the maximum output current.

(Note 2) This part value range need to be guaranteed over the operating surrounding temperature.

5.2.7.3. BUCK7 Control

Table 5-25. BUCK7_CTRL - BUCK7 Control Register

Register Name	R/W	D7	D6	D5	D4	D3	D2	D1	D0	Initial	Address
BUCK7_CTRL	R/W	-	-	-	-	BUCK7_PWM_M_FIX	-	BUCK7_SEL	BUCK7_EN	0x00	0x0B

Bit	Name	Function	Initial
D[3]	BUCK7_PWM_FIX	0 – AUTO PWM/PFM mode VR adjusts the operating mode (PFM/PWM) automatically based on the load current to maximize power efficiency. 1 – Forced PWM Mode VR operates in PWM mode only.	0
D[1]	BUCK7_SEL	BUCK7 control select bit 0 = BUCK7 ON/OFF is controlled by state machine. 1 = BUCK7 ON/OFF is controlled by D[0] on this register.	0
D[0]	BUCK7_EN	BUCK7 control bit with condition of D[1] 0 = BUCK7 OFF 1 = BUCK7 ON This bit returns to 0 at the beginning of PWROFF sequence or emergency shutdown.	0

Table 5-26. BUCK7_VOLT - BUCK7 Voltage Register

Register Name	R/W	D7	D6	D5	D4	D3	D2	D1	D0	Initial	Address
BUCK7_VOLT	R/W	-	-	-	-	-	BUCK7_VOLT[2:0]			0x03	0x16

Bit	Name	Function	Initial
D[2:0]	BUCK7_VOLT[2:0]	BUCK7 voltage 000 = 1.605 V 001 = 1.695 V 010 = 1.755 V 011 = 1.800 V (Initial) 100 = 1.845 V 101 = 1.905 V 110 = 1.950 V 111 = 1.995 V Note: Changing BUCK7 voltage value is not allowed when BUCK7 is still ON. In the case where this register value is changed, BUCK7 should be turned OFF.	011

5.2.8. BUCK8

5.2.8.1. BUCK8 Block Diagram

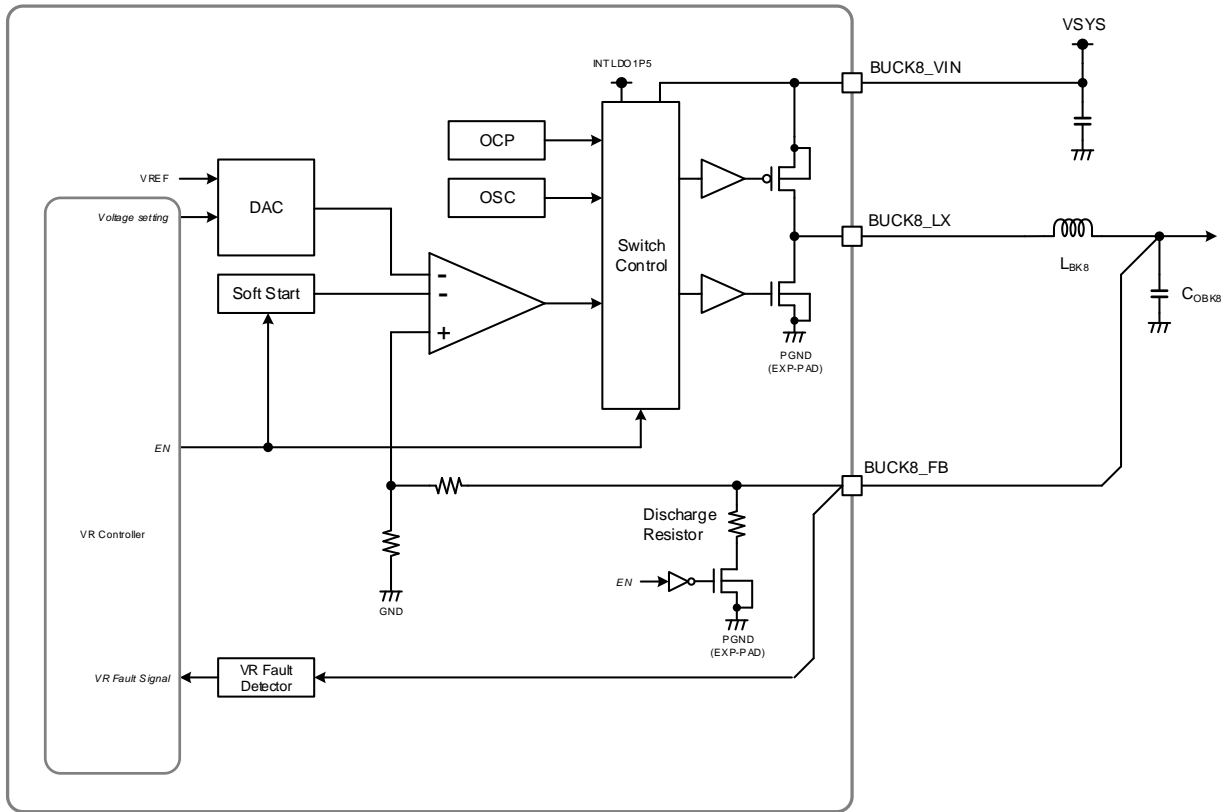


Figure 5-8. BUCK8 Block Diagram

5.2.8.2. BUCK8 Electrical Characteristics

Table 5-27. BUCK8 Electrical Characteristics

(Unless otherwise specified, Ta=+25 °C, VSYS=5.0 V)

Parameter	Symbol	Limit			Unit	Condition
		Min	Typ	Max		
Output Voltage	V_{O_BK8}	1.089	1.100	1.111	V	$V_o = 1.1\text{ V}$ $I_o = 200\text{ mA}$, PWM fix Mode
Programmable Output Voltage Range	V_{ORG_BK8}	0.8	-	1.4	V	10 mV step
Quiescent Current	I_{Q_BK8}	-	15	-	μA	$V_o = 1.1\text{ V}$ $I_o = 0\text{ mA}$, Auto mode
Maximum Output Current	I_{OMAX_BK8}	3000	-	-	mA	
Over Current Protection	I_{OCP_BK8}	4500	-	-	mA	Peak current of inductor <i>(note 1)</i>
DC Output Voltage Load Regulation	ΔV_{LDR_BK8}	-1	0	+1	%	$I_o = 1\text{ mA}$ to $I_{o\max}$, PWM fix Mode
Efficiency	η_{BK8_1mA}	-	82	-	%	$I_o = 1\text{ mA}$, $V_o = 1.1\text{ V}$
	η_{BK8_500mA}	-	87	-	%	$I_o = 500\text{ mA}$, $V_o = 1.1\text{ V}$
	η_{BK8_max}	-	76	-	%	$I_o = I_{o\max}$, $V_o = 1.1\text{ V}$
Oscillating Frequency	f_{SW_BK8}	-	2	-	MHz	PWM fix mode, $I_o = 0\text{ mA}$
Start up Time	t_{ST_BK8}	-	200	500	μs	During EN to 90% of nominal Voltage
Discharge Resistance	R_{D_BK8}	-	100	-	Ω	
Low Side VR Fault Detect Level	D_{VRFBK8_L}	-	80	-	%	$V_o = 1.1\text{ V}$ (FB = Sweep down) VR fault detect level / $V_o \times 100$
Low Side VR Fault Detect Hysteresis	D_{VRFBK8_LHYS}	-	10	-	%	(VR fault release level - detect level) / $V_o \times 100$
High Side VR Fault Detect Level	D_{VRBK8_H}	-	130	-	%	$V_o = 1.1\text{ V}$ (FB = Sweep up) Power good detect level / $V_o \times 100$
High Side VR Fault Detect Hysteresis	D_{VRFBK8_HHYS}	-	20	-	%	(VR fault detect level - release level) / $V_o \times 100$
Output Inductance	L_{BK8}	-	0.47	-	μH	<i>(Note 2)</i>
Output Capacitance	C_{OBK8}	22	44	100	μF	<i>(Note 2)</i> Effective capacitance with BUCK's DC bias

*(Note 1) For Buck- DCDC converters, (minimum Over Current Protection Current – ½ inductor ripple current) is the maximum output current.**(Note 2) This part value range need to be guaranteed over the operating surrounding temperature.*

5.2.8.3. BUCK8 Control

Table 5-28. BUCK8_CTRL - BUCK8 Control Register

Register Name	R/W	D7	D6	D5	D4	D3	D2	D1	D0	Initial	Address
BUCK8_CTRL	R/W	-	-	-	-	BUCK8_PWM_M_FIX	-	BUCK8_SEL	BUCK8_EN	0x00	0x0C

Bit	Name	Function	Initial
D[3]	BUCK8_PWM_FIX	0 – AUTO PWM/PFM mode VR adjusts the operating mode (PFM/PWM) automatically based on the load current to maximize power efficiency. 1 – Forced PWM Mode VR operates in PWM mode only.	0
D[1]	BUCK8_SEL	BUCK8 control select bit 0 = BUCK8 ON/OFF is controlled by state machine. 1 = BUCK8 ON/OFF is controlled by D[0] on this register.	0
D[0]	BUCK8_EN	BUCK8 control bit with condition of D[1] 0 = BUCK8 OFF 1 = BUCK8 ON This bit returns to 0 at the beginning of PWROFF sequence or emergency shutdown.	0

Table 5-29. BUCK8_VOLT - BUCK8 Voltage Register

Register Name	R/W	D7	D6	D5	D4	D3	D2	D1	D0	Initial	Address
BUCK8_VOLT	R/W	-	-	BUCK8_VOLT[5:0]						0x1E	0x17

Bit	Name	Function	Initial																																																																								
D[2:0]	BUCK8_VOLT[5:0]	<p>BUCK8 voltage</p> <table border="0"> <tr> <td>0x00 = 0.80 V</td> <td>0x01 = 0.81 V</td> <td>0x02 = 0.82 V</td> <td>0x03 = 0.83 V</td> </tr> <tr> <td>0x04 = 0.84 V</td> <td>0x05 = 0.85 V</td> <td>0x06 = 0.86 V</td> <td>0x07 = 0.87 V</td> </tr> <tr> <td>0x08 = 0.88 V</td> <td>0x09 = 0.89 V</td> <td>0x0A = 0.90 V</td> <td>0x0B = 0.91 V</td> </tr> <tr> <td>0x0C = 0.92 V</td> <td>0x0D = 0.93 V</td> <td>0x0E = 0.94 V</td> <td>0x0F = 0.95 V</td> </tr> <tr> <td>0x10 = 0.96 V</td> <td>0x11 = 0.97 V</td> <td>0x12 = 0.98 V</td> <td>0x13 = 0.99 V</td> </tr> <tr> <td>0x14 = 1.00 V</td> <td>0x15 = 1.01 V</td> <td>0x16 = 1.02 V</td> <td>0x17 = 1.03 V</td> </tr> <tr> <td>0x18 = 1.04 V</td> <td>0x19 = 1.05 V</td> <td>0x1A = 1.06 V</td> <td>0x1B = 1.07 V</td> </tr> <tr> <td>0x1C = 1.08 V</td> <td>0x1D = 1.09 V</td> <td></td> <td></td> </tr> <tr> <td>0x1E = 1.10 V (initial)</td> <td></td> <td></td> <td></td> </tr> <tr> <td>0x1F = 1.11 V</td> <td>0x20 = 1.12 V</td> <td>0x21 = 1.13 V</td> <td>0x22 = 1.14 V</td> </tr> <tr> <td>0x23 = 1.15 V</td> <td>0x24 = 1.16 V</td> <td>0x25 = 1.17 V</td> <td>0x26 = 1.18 V</td> </tr> <tr> <td>0x27 = 1.19 V</td> <td>0x28 = 1.20 V</td> <td>0x29 = 1.21 V</td> <td>0x2A = 1.22 V</td> </tr> <tr> <td>0x2B = 1.23 V</td> <td>0x2C = 1.24 V</td> <td>0x2D = 1.25 V</td> <td>0x2E = 1.26 V</td> </tr> <tr> <td>0x2F = 1.27 V</td> <td>0x30 = 1.28 V</td> <td>0x31 = 1.29 V</td> <td>0x32 = 1.30 V</td> </tr> <tr> <td>0x33 = 1.31 V</td> <td>0x34 = 1.32 V</td> <td>0x35 = 1.33 V</td> <td>0x36 = 1.34 V</td> </tr> <tr> <td>0x37 = 1.35 V</td> <td>0x38 = 1.36 V</td> <td>0x39 = 1.37 V</td> <td>0x3A = 1.38 V</td> </tr> <tr> <td>0x3B = 1.39 V</td> <td>0x3C = 1.40 V</td> <td>0x3D = 1.40 V</td> <td>0x3E = 1.40 V</td> </tr> <tr> <td>0x3F = 1.40 V</td> <td></td> <td></td> <td></td> </tr> </table> <p>Note: Changing BUCK8 voltage value is not allowed when BUCK8 is still ON. In the case where this register value is changed, BUCK8 should be turned OFF.</p>	0x00 = 0.80 V	0x01 = 0.81 V	0x02 = 0.82 V	0x03 = 0.83 V	0x04 = 0.84 V	0x05 = 0.85 V	0x06 = 0.86 V	0x07 = 0.87 V	0x08 = 0.88 V	0x09 = 0.89 V	0x0A = 0.90 V	0x0B = 0.91 V	0x0C = 0.92 V	0x0D = 0.93 V	0x0E = 0.94 V	0x0F = 0.95 V	0x10 = 0.96 V	0x11 = 0.97 V	0x12 = 0.98 V	0x13 = 0.99 V	0x14 = 1.00 V	0x15 = 1.01 V	0x16 = 1.02 V	0x17 = 1.03 V	0x18 = 1.04 V	0x19 = 1.05 V	0x1A = 1.06 V	0x1B = 1.07 V	0x1C = 1.08 V	0x1D = 1.09 V			0x1E = 1.10 V (initial)				0x1F = 1.11 V	0x20 = 1.12 V	0x21 = 1.13 V	0x22 = 1.14 V	0x23 = 1.15 V	0x24 = 1.16 V	0x25 = 1.17 V	0x26 = 1.18 V	0x27 = 1.19 V	0x28 = 1.20 V	0x29 = 1.21 V	0x2A = 1.22 V	0x2B = 1.23 V	0x2C = 1.24 V	0x2D = 1.25 V	0x2E = 1.26 V	0x2F = 1.27 V	0x30 = 1.28 V	0x31 = 1.29 V	0x32 = 1.30 V	0x33 = 1.31 V	0x34 = 1.32 V	0x35 = 1.33 V	0x36 = 1.34 V	0x37 = 1.35 V	0x38 = 1.36 V	0x39 = 1.37 V	0x3A = 1.38 V	0x3B = 1.39 V	0x3C = 1.40 V	0x3D = 1.40 V	0x3E = 1.40 V	0x3F = 1.40 V				011110
0x00 = 0.80 V	0x01 = 0.81 V	0x02 = 0.82 V	0x03 = 0.83 V																																																																								
0x04 = 0.84 V	0x05 = 0.85 V	0x06 = 0.86 V	0x07 = 0.87 V																																																																								
0x08 = 0.88 V	0x09 = 0.89 V	0x0A = 0.90 V	0x0B = 0.91 V																																																																								
0x0C = 0.92 V	0x0D = 0.93 V	0x0E = 0.94 V	0x0F = 0.95 V																																																																								
0x10 = 0.96 V	0x11 = 0.97 V	0x12 = 0.98 V	0x13 = 0.99 V																																																																								
0x14 = 1.00 V	0x15 = 1.01 V	0x16 = 1.02 V	0x17 = 1.03 V																																																																								
0x18 = 1.04 V	0x19 = 1.05 V	0x1A = 1.06 V	0x1B = 1.07 V																																																																								
0x1C = 1.08 V	0x1D = 1.09 V																																																																										
0x1E = 1.10 V (initial)																																																																											
0x1F = 1.11 V	0x20 = 1.12 V	0x21 = 1.13 V	0x22 = 1.14 V																																																																								
0x23 = 1.15 V	0x24 = 1.16 V	0x25 = 1.17 V	0x26 = 1.18 V																																																																								
0x27 = 1.19 V	0x28 = 1.20 V	0x29 = 1.21 V	0x2A = 1.22 V																																																																								
0x2B = 1.23 V	0x2C = 1.24 V	0x2D = 1.25 V	0x2E = 1.26 V																																																																								
0x2F = 1.27 V	0x30 = 1.28 V	0x31 = 1.29 V	0x32 = 1.30 V																																																																								
0x33 = 1.31 V	0x34 = 1.32 V	0x35 = 1.33 V	0x36 = 1.34 V																																																																								
0x37 = 1.35 V	0x38 = 1.36 V	0x39 = 1.37 V	0x3A = 1.38 V																																																																								
0x3B = 1.39 V	0x3C = 1.40 V	0x3D = 1.40 V	0x3E = 1.40 V																																																																								
0x3F = 1.40 V																																																																											

5.3. Details of LDO

5.3.1. LDO1

5.3.1.1. LDO1 Block Diagram

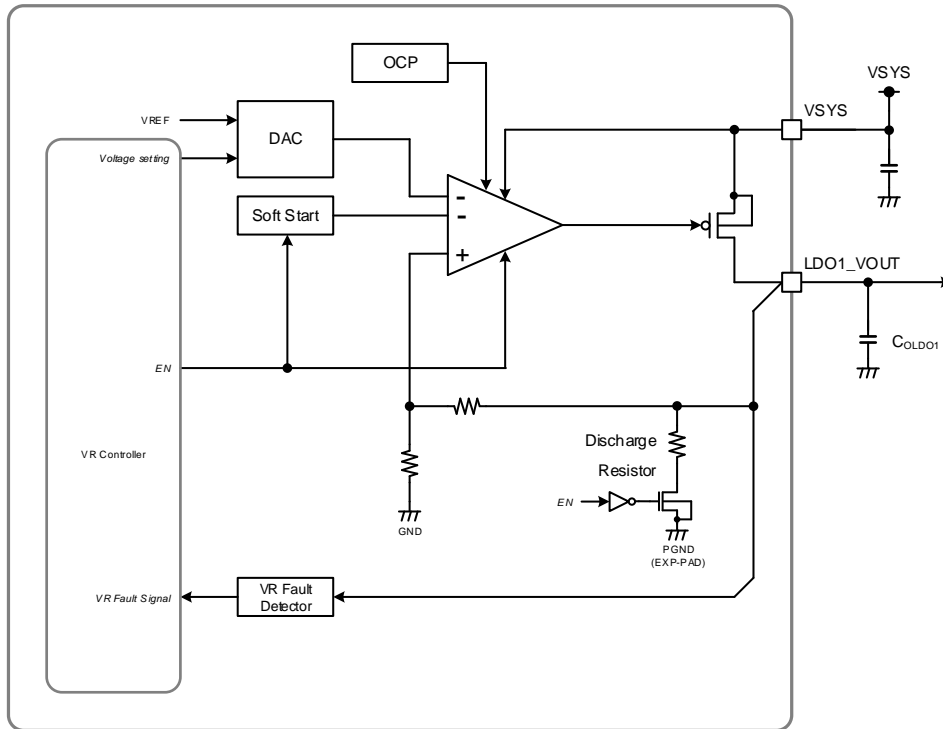


Figure 5-9. LDO1 Block Diagram

5.3.1.2. LDO1 Electrical Characteristics

Table 5-30. LDO1 Electrical Characteristics

(Unless otherwise specified, Ta = +25 °C, VSYS = 5.0 V, VIN_3P3 = 3.3 V, VIN_1P8_1 = 1.8 V, Vo = 3.3 V setting)

Parameter	Symbol	Limit			Unit	Condition
		Min	Typ	Max		
Output Voltage	V _{O_LDO1}	3.267	3.300	3.333	V	V _O =3.3 V setting I _O =1 mA
Output Voltage Range 1	V _{ORG_LDO1_1}	1.600	-	1.900	V	100 mV step
Output Voltage Range 2	V _{ORG_LDO1_2}	3.000	-	3.300	V	100 mV step
Maximum Output Current	I _{OMAX_LDO1}	10	-	-	mA	
Over Current Protection	I _{OCP_LDO1}	20	-	-	mA	
Quiescent Current	I _{Q_LDO1}	-	6	-	μA	I _O =0 mA
Dropout Voltage	ΔV _{ODP_LDO1}	-	40	-	mV	I _O = I _{OMAX} VSYS=3.2 V, V _O =3.3 V setting
Start up Time	t _{ST_LDO1}	-	440	1000	μs	I _O =0 mA, During EN to 90 % of nominal Voltage
DC Output Voltage Load Regulation	ΔV _{LDR_LDO1}	-	10	20	mV	I _O =1 mA to I _{OMAX}
DC Output Voltage Line Regulation	ΔV _{LNR_LDO1}	-	2	5	mV	VSYS = 4.5 V to 5.5 V, I _O =I _{OMAX}
Discharge Resistance	R _{DIS_LDO1}	-	100	200	Ω	
VR Fault Detect Level	D _{VRFLDO1}	-	80	-	%	Output = Sweep down Power good detect level / V _O x 100
VR Fault Detect Hysteresis	D _{VRFLDO1_HYS}	-	10	-	%	(VR fault release level - detect level) / V _O x 100
Ripple Rejection Ratio	RR _{LDO1}	-	60	-	dB	VSYS = 5.0 V, I _O =I _{OMAX} /2 V _R = -20 dBV, f _R =100 Hz BW=20 Hz to 20 kHz
Output Capacitance	C _{OLD01}	0.5	1.0	5.0	μF	(Note 1) Effective capacitance with LDO's DC bias

(Note 1) This part value range need to be guaranteed over the operating surrounding temperature.

5.3.1.3. LDO1 Control

Table 5-31. LDO1_VOLT - LDO1 Voltage Register

Register Name	R/W	D7	D6	D5	D4	D3	D2	D1	D0	Initial	Address
LDO1_VOLT	R/W	LDO1_SEL	LDO1_EN	LDO1_VOLT_SEL	-	-	-	LDO1_VOLT[1:0]		0x03	0x18

Bit	Name	Function	Initial
D[7]	LDO1_SEL	LDO1 control select bit 0 = LDO1 ON/OFF is controlled by state machine. 1 = LDO1 ON/OFF is controlled by D[6] on this register.	0
D[6]	LDO1_EN	LDO1 control bit with condition of D[7] 0 = LDO1 OFF 1 = LDO1 ON This bit returns to 0 at the beginning of PWROFF sequence or emergency shutdown.	0
D[5]	LDO1_VOLT_SEL	Select the LDO1 voltage range set by D[1:0]. 0 = 3.0 V to 3.3 V 1 = 1.6 V to 1.9 V Note: Changing LDO1 voltage value is not allowed when LDO1 is still ON. In the case where this register value is changed, LDO1 should be turned OFF.	0
D[1:0]	LDO1_VOLT[1:0]	LDO1 voltage If D[5]=0, 00 = 3.0 V 01 = 3.1 V 10 = 3.2 V 11 = 3.3 V (Initial) If D[5]=1, 00 = 1.6 V 01 = 1.7 V 10 = 1.8 V 11 = 1.9 V Note: Changing LDO1 voltage value is not allowed when LDO1 is still ON. In the case where this register value is changed, LDO1 should be turned OFF.	11

5.3.2. LDO2

5.3.2.1. LDO2 Block Diagram

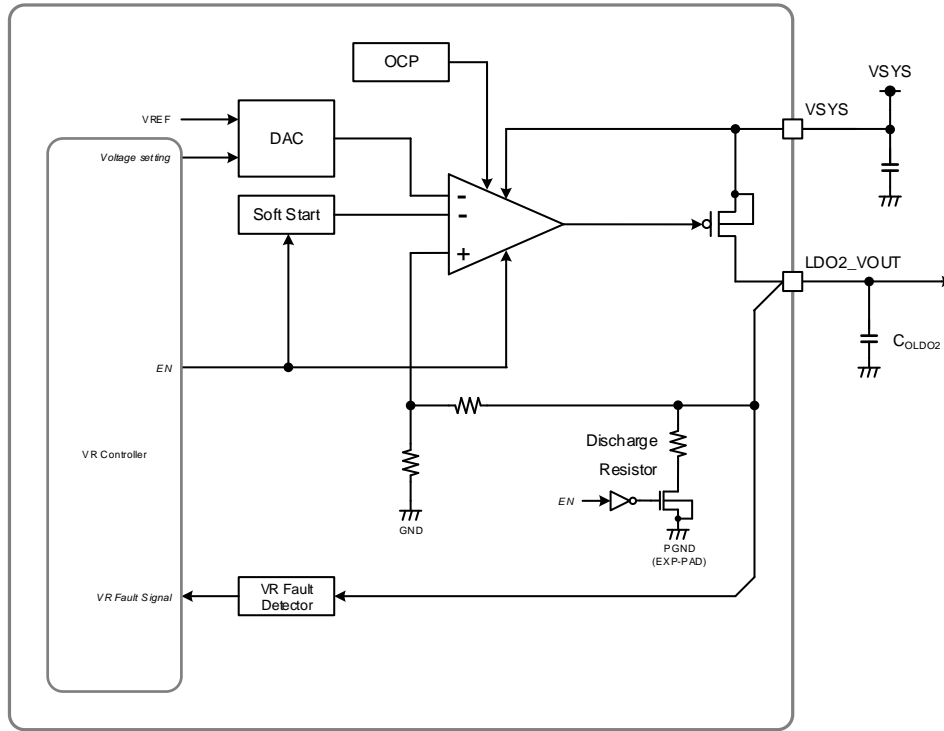


Figure 5-10. LDO2 Block Diagram

5.3.2.2. LDO2 Electrical Characteristics

Table 5-32. LDO2 Electrical Characteristics

(Unless otherwise specified, Ta = +25 °C, VSYS = 5.0 V, VIN_3P3 = 3.3 V, VIN_1P8_1 = 1.8 V, Vo = 0.9 V setting)

Parameter	Symbol	Limit			Unit	Condition
		Min	Typ	Max		
Output Voltage	V _{O_LDO2}	0.885	0.900	0.915	V	V _O =0.9 V setting I _O =1 mA
Output Voltage Range 1	V _{ORG_LDO1_1}	0.800	-	0.900	V	100 mV step
Maximum Output Current	I _{OMAX_LDO2}	10	-	-	mA	
Over Current Protection	I _{OCP_LDO2}	20	-	-	mA	
Quiescent Current	I _{Q_LDO2}	-	6	-	μA	I _O = 0 mA
Start up Time	t _{ST_LDO2}	-	370	1000	μs	I _O = 0 mA, During EN to 90 % of nominal Voltage
DC Output Voltage Load Regulation	ΔV _{LDR_LDO2}	-	10	20	mV	I _O = 1 mA to I _{Omax}
DC Output Voltage Line Regulation	ΔV _{LNR_LDO2}	-	2	5	mV	VSYS = 4.5 V to 5.5 V, I _O = I _{Omax}
Discharge Resistance	R _{DIS_LDO2}	-	100	200	Ω	
VR Fault Detect Level	D _{VRFLDO2}	-	80	-	%	Output = Sweep down Power good detect level / V _O x 100
VR Fault Detect Hysteresis	D _{VRFLDO2_HYS}	-	10	-	%	(VR fault release level - detect level) / V _O x 100
Ripple Rejection Ratio	RR _{LDO2}	-	60	-	dB	VSYS = 5.0 V, I _O =I _{Omax} /2 V _R = -20 dBV, f _R =100 Hz BW=20 Hz to 20 kHz
Output Capacitance	C _{OLD02}	0.5	1.0	5.0	μF	(Note 1) Effective capacitance with LDO's DC bias

(Note 1) This part value range need to be guaranteed over the operating surrounding temperature.

5.3.2.3. LDO2 Control

Table 5-33. LDO2_VOLT - LDO2 Voltage Register

Register Name	R/W	D7	D6	D5	D4	D3	D2	D1	D0	Initial	Address
LDO2_VOLT	R/W	LDO2_SEL	LDO2_EN	LDO2_VOLT_SEL	-	-	-	-	-	0x00	0x19

Bit	Name	Function	Initial
D[7]	LDO2_SEL	LDO2 control select bit 0 = LDO2 ON/OFF is controlled by state machine. 1 = LDO2 ON/OFF is controlled by D[6] on this register.	0
D[6]	LDO2_EN	LDO2 control bit with condition of D[7] 0 = LDO2 OFF 1 = LDO2 ON This bit returns to 0 at the beginning of PWROFF sequence or emergency shutdown.	0
D[5]	LDO2_VOLT_SEL	Select the LDO2 voltage. 0 = 0.9V 1 = 0.8V Note: Changing LDO2 voltage value is not allowed when LDO2 is still ON. In the case where this register value is changed, LDO2 should be turned OFF.	0

5.3.3. LDO3

5.3.3.1. LDO3 Block Diagram

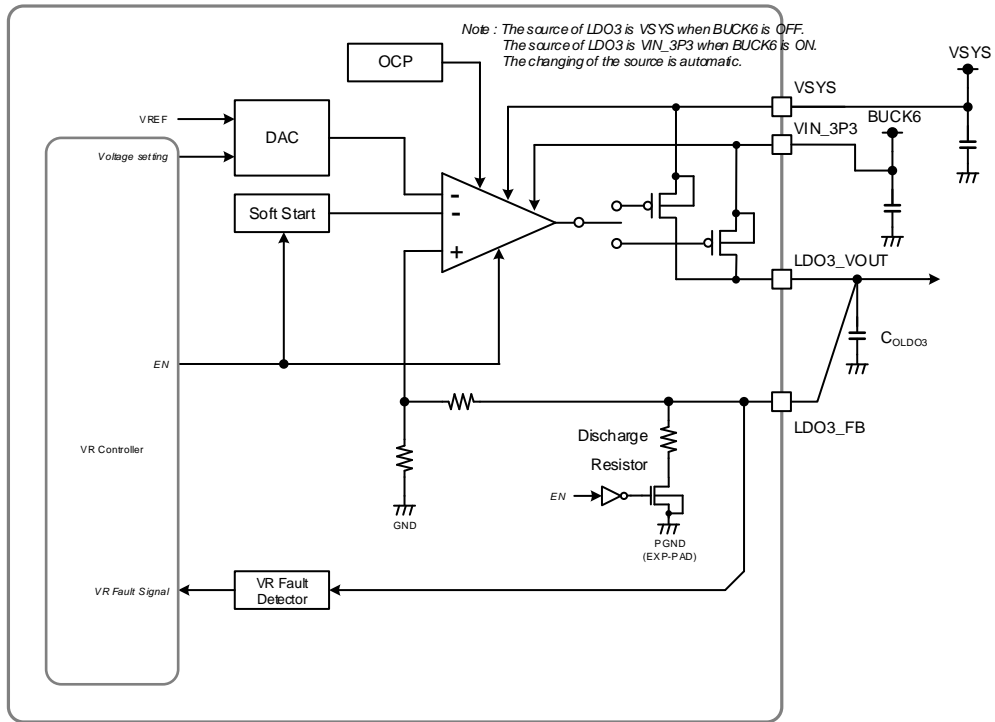


Figure 5-11. LDO3 Block Diagram

5.3.3.2. LDO3 Electrical Characteristics

Table 5-34. LDO3 Electrical Characteristics

(Unless otherwise specified, Ta = +25 °C, VSYS = 5.0 V, VIN_3P3 = 3.3 V, VIN_1P8_1 = 1.8 V, Vo = 1.8 V setting)

Parameter	Symbol	Limit			Unit	Condition
		Min	Typ	Max		
Output Voltage	V _{O_LDO3}	1.782	1.800	1.818	V	V _O =1.8 V setting I _o =1 mA
Output Voltage Range	V _{ORG_LDO3}	1.800	-	3.300	V	100 mV step
Maximum Output Current	I _{OMAX_LDO3}	300	-	-	mA	
Over Current Protection	I _{OCP_LDO3}	390	-	-	mA	
Quiescent Current	I _{Q_LDO3}	-	9	-	μA	I _o = 0 mA
Dropout Voltage	ΔV _{ODP_LDO3}	-	450	-	mV	I _o = I _{o max} VIN_3P3 = 1.7 V, V _O = 1.8 V setting
Start up Time	t _{ST_LDO3}	-	310	1000	μs	I _o = 0 mA, During EN to 90 % of nominal Voltage
DC Output Voltage Load Regulation	ΔV _{LDR_LDO3}	-	10	20	mV	I _o = 1 mA to I _{o max}
DC Output Voltage Line Regulation	ΔV _{LNR_LDO3}	-	2	5	mV	VSYS = 4.5 V to 5.5 V, I _o = 50 mA
Discharge Resistance	R _{DIS_LDO3}	-	100	200	Ω	
VR Fault Detect Level	D _{VRFLDO3}	-	80	-	%	Output = Sweep down Power good detect level / V _o x 100
VR Fault Detect Hysteresis	D _{VRFLDO3_HYS}	-	10	-	%	(VR fault release level - detect level) / V _o x 100
Ripple Rejection Ratio	RR _{LDO3}	-	60	-	dB	VSYS = 5.0 V, I _o =I _{o max} /2 V _R = -20 dBV, f _R =100 Hz BW=20 Hz to 20 kHz
Output Capacitance	C _{OLD03}	1.1	2.2	22.0	μF	(Note 1) Effective capacitance with LDO's DC bias

(Note 1) This part value range need to be guaranteed over the operating surrounding temperature.

5.3.3.3. LDO3 Control

Table 5-35. LDO3_VOLT - LDO3 Voltage Register

Register Name	R/W	D7	D6	D5	D4	D3	D2	D1	D0	Initial	Address
LDO3_VOLT	R/W	LDO3_SEL	LDO3_EN	-	-	LDO3_VOLT[3:0]				0x00	0x1A

Bit	Name	Function	Initial
D[7]	LDO3_SEL	LDO3 control select bit 0 = LDO3 ON/OFF is controlled by state machine. 1 = LDO3 ON/OFF is controlled by D[6] on this register.	0
D[6]	LDO3_EN	LDO3 control bit with condition of D[7] 0 = LDO3 OFF 1 = LDO3 ON This bit returns to 0 at the beginning of PWROFF sequence or emergency shutdown.	0
D[3:0]	LDO3_VOLT[3:0]	LDO3 voltage 0x0 = 1.8 V (Initial) 0x1 = 1.9 V 0x2 = 2.0 V 0x3 = 2.1 V 0x4 = 2.2 V 0x5 = 2.3 V 0x6 = 2.4 V 0x7 = 2.5 V 0x8 = 2.6 V 0x9 = 2.7 V 0xA = 2.8 V 0xB = 2.9 V 0xC = 3.0 V 0xD = 3.1 V 0xE = 3.2 V 0xF = 3.3 V Note: Changing LDO3 voltage value is not allowed when LDO3 is still ON. In the case where this register value is changed, LDO3 should be turned OFF.	0000

It is recommended that the VIN_3P3 pin is connected to BUCK6. LDO3 power source is switched from the VSYS pin to the VIN_3P3 pin after BUCK6 is turned on. On the other hand, LDO3 power source is switched from the VIN_3P3 pin to the VSYS pin when BUCK6 is turned off. It takes 3 ms to complete this switching operation. Therefore, actual BUCK6 turn-off is delayed as shown in Figure 5-12.

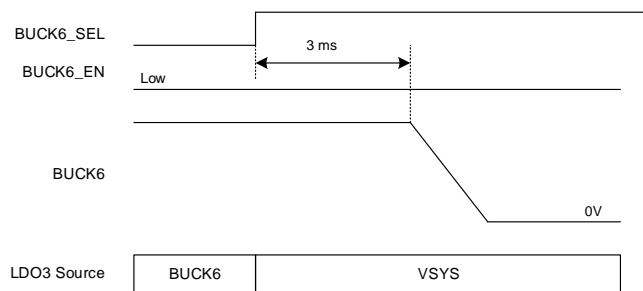


Figure 5-12. LDO3 Voltage Source Switching

5.3.4. LDO4

5.3.4.1. LDO4 Block Diagram

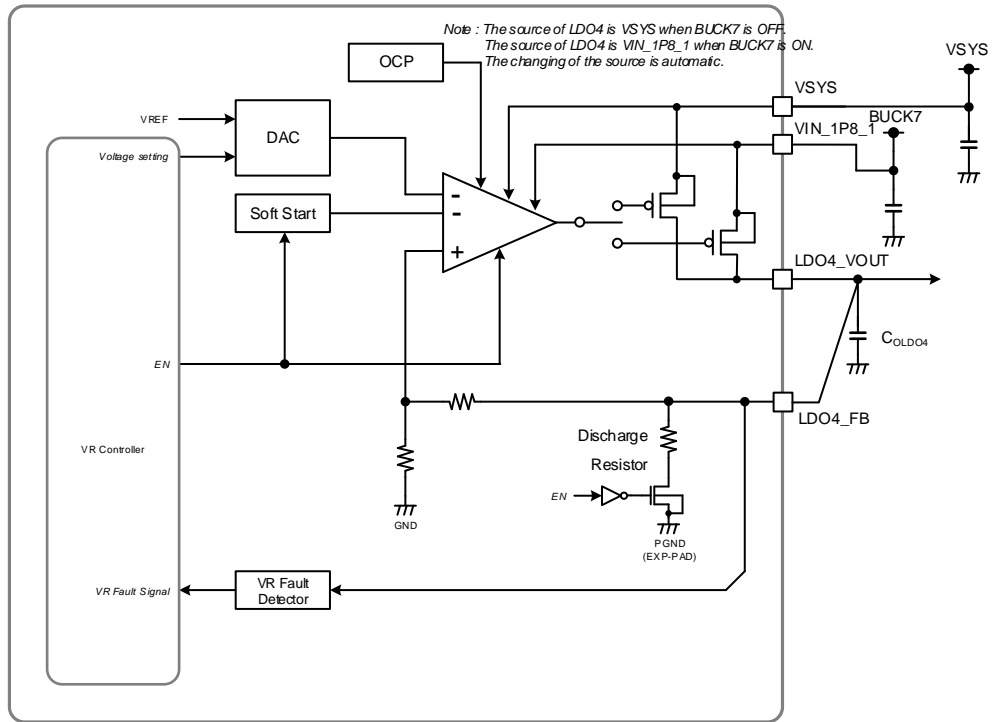


Figure 5-13. LDO4 Block Diagram

5.3.4.2. LDO4 Electrical Characteristics

Table 5-36. LDO4 Electrical Characteristics

(Unless otherwise specified, Ta = +25 °C, VSYS = 5.0 V, VIN_3P3 = 3.3 V, VIN_1P8_1 = 1.8 V, Vo = 0.9 V setting)

Parameter	Symbol	Limit			Unit	Condition
		Min	Typ	Max		
Output Voltage	V _{O_LDO4}	0.885	0.900	0.915	V	V _O =0.9 V setting I _o =1 mA
Output Voltage Range	V _{ORG_LDO4}	0.900	-	1.800	V	100 mV step
Maximum Output Current	I _{OMAX_LDO4}	250	-	-	mA	
Over Current Protection	I _{OCP_LDO4}	325	-	-	mA	
Quiescent Current	I _{Q_LDO4}	-	9	-	μA	I _o = 0 mA
Dropout Voltage	ΔV _{ODP_LDO4}	-	450	-	mV	I _o = I _{o max} VIN_V1P8_1 = 1.7 V, V _O = 1.8 V setting
Start up Time	t _{ST_LDO4}	-	400	1000	μs	I _o = 0 mA, During EN to 90 % of nominal Voltage
DC Output Voltage Load Regulation	ΔV _{LDR_LDO4}	-	10	20	mV	I _o = 1 mA to I _{o max}
DC Output Voltage Line Regulation	ΔV _{LNR_LDO4}	-	2	5	mV	VSYS = 4.5 V to 5.5 V, I _o = 50 mA
Discharge Resistance	R _{DIS_LDO4}	-	100	200	Ω	
VR Fault Detect Level	D _{VRFLDO4}	-	80	-	%	Output = Sweep down Power good detect level / V _o x 100
VR Fault Detect Hysteresis	D _{VRFLDO4_HYS}	-	10	-	%	(VR fault release level - detect level) / V _o x 100
Ripple Rejection Ratio	RR _{LDO4}	-	60	-	dB	VSYS = 5.0 V, I _o =I _{o max} /2 V _R = -20 dBV, f _R =100 Hz BW=20 Hz to 20 kHz
Output Capacitance	C _{OLD04}	1.1	2.2	22.0	μF	(Note 1) Effective capacitance with LDO's DC bias

(Note 1) This part value range need to be guaranteed over the operating surrounding temperature.

5.3.4.3. LDO4 Control

Table 5-37. LDO4_VOLT - LDO4 Voltage Register

Register Name	R/W	D7	D6	D5	D4	D3	D2	D1	D0	Initial	Address
LDO4_VOLT	R/W	LDO4_SEL	LDO4_EN	-	-	LDO4_VOLT[3:0]				0x00	0x1B

Bit	Name	Function	Initial
D[7]	LDO4_SEL	LDO4 control select bit 0 = LDO4 ON/OFF is controlled by state machine. 1 = LDO4 ON/OFF is controlled by D[6] on this register.	0
D[6]	LDO4_EN	LDO4 control bit with condition of D[7] 0 = LDO4 OFF 1 = LDO4 ON This bit returns to 0 at the beginning of PWROFF sequence or emergency shutdown.	0
D[3:0]	LDO4_VOLT[3:0]	LDO4 voltage 0x0 = 0.9 V (Initial) 0x1 = 1.0 V 0x2 = 1.1 V 0x3 = 1.2 V 0x4 = 1.3 V 0x5 = 1.4 V 0x6 = 1.5 V 0x7 = 1.6 V 0x8 = 1.7 V 0x9 = 1.8 V 0xA = 1.8 V 0xB = 1.8 V 0xC = 1.8 V 0xD = 1.8 V 0xE = 1.8 V 0xF = 1.8 V Note: Changing LDO4 voltage value is not allowed when LDO4 is still ON. In the case where this register value is changed, LDO4 should be turned OFF.	0000

It is recommended that the VIN_1P8_1 pin is connected to BUCK7. LDO4 power source is switched from the VSYS pin to the VIN_1P8_1 pin after BUCK7 is turned on. On the other hand, LDO4 power source is switched from the VIN_1P8_1 pin to the VSYS pin when BUCK7 is turned off. It takes 3 ms to complete this switching operation. Therefore, actual BUCK7 turn-off is delayed as shown in Figure 5-14.

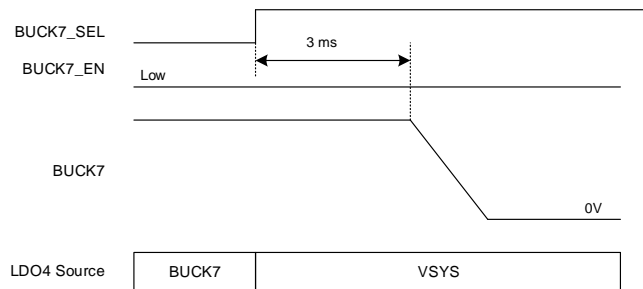


Figure 5-14. LDO4 Voltage Source Switching

5.3.5. LDO5

5.3.5.1. LDO5 Block Diagram

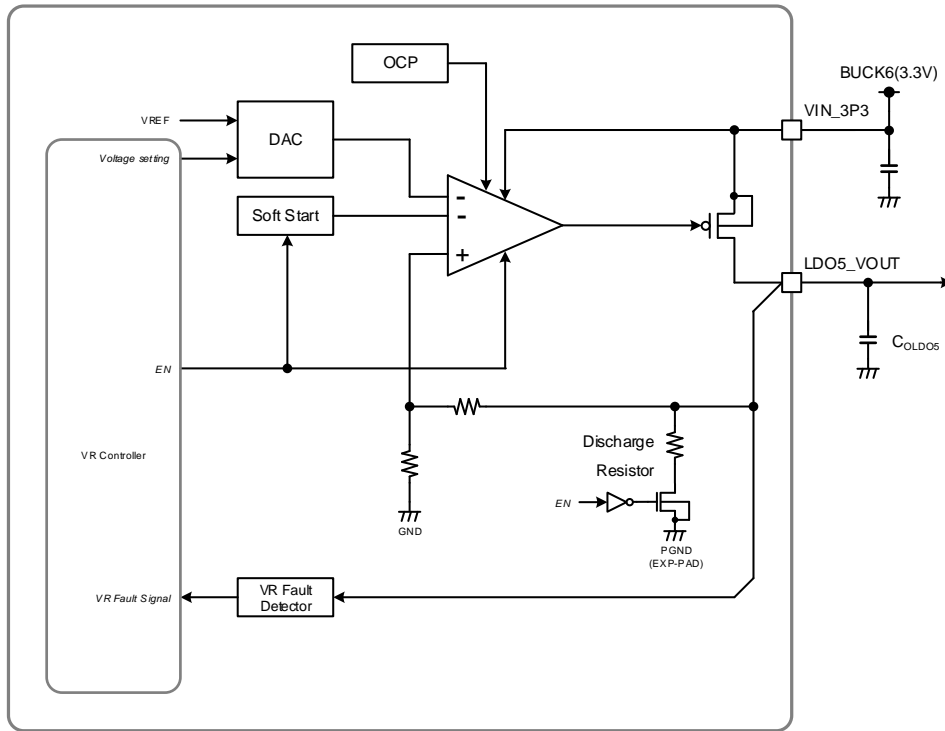


Figure 5-15. LDO5 Block Diagram

5.3.5.2. LDO5 Electrical Characteristics

Table 5-38. LDO5 Electrical Characteristics

(Unless otherwise specified, Ta = +25 °C, VSYS = 5.0 V, VIN_3P3 = 3.3 V, VIN_1P8_1 = 1.8 V, Vo = 1.8 V setting)

Parameter	Symbol	Limit			Unit	Condition
		Min	Typ	Max		
Output Voltage	V _{O_LDO5}	1.782	1.800	1.818	V	V _O =1.8 V setting I _o =1 mA
Output Voltage Range	V _{ORG_LDO5}	1.800	-	3.300	V	100 mV step
Maximum Output Current	I _{OMAX_LDO5}	300	-	-	mA	
Over Current Protection	I _{OCP_LDO5}	390	-	-	mA	
Quiescent Current	I _{Q_LDO5}	-	9	-	μA	I _o = 0 mA
Dropout Voltage	ΔV _{ODP_LDO5}	-	650	-	mV	I _o = I _{o max} VIN_3P3 = 1.7 V, V _O = 1.8 V setting
Start up Time	t _{ST_LDO5}	-	310	1000	μs	I _o = 0 mA, During EN to 90 % of nominal Voltage
DC Output Voltage Load Regulation	ΔV _{LDR_LDO5}	-	10	20	mV	I _o = 1 mA to I _{o max}
DC Output Voltage Line Regulation	ΔV _{LNR_LDO5}	-	2	5	mV	VSYS = 4.5 V to 5.5 V, I _o = 50 mA
Discharge Resistance	R _{DIS_LDO5}	-	100	200	Ω	
VR Fault Detect Level	D _{VRFLDO5}	-	80	-	%	Output = Sweep down Power good detect level / V _o x 100
VR Fault Detect Hysteresis	D _{VRFLDO5_HYS}	-	10	-	%	(VR fault release level - detect level) / V _o x 100
Ripple Rejection Ratio	RR _{LDO5}	-	60	-	dB	VSYS = 5.0 V, I _o =I _{o max} /2 V _R = -20 dBV, f _R =100 Hz BW=20 Hz to 20 kHz
Output Capacitance	C _{OLD05}	1.1	2.2	22.0	μF	(Note 1) Effective capacitance with LDO's DC bias

(Note 1) This part value range need to be guaranteed over the operating surrounding temperature.

5.3.5.3. LDO5 Control

Table 5-39. LDO5_VOLT - LDO5 Voltage Register

Register Name	R/W	D7	D6	D5	D4	D3	D2	D1	D0	Initial	Address
LDO5_VOLT	R/W	LDO5_SEL	LDO5_EN	-	-	LDO5_VOLT[3:0]				0x00	0x1C

Bit	Name	Function	Initial
D[7]	LDO5_SEL	LDO5 control select bit 0 = LDO5 ON/OFF is controlled by state machine. 1 = LDO5 ON/OFF is controlled by D[6] on this register.	0
D[6]	LDO5_EN	LDO5 control bit with condition of D[7] 0 = LDO5 OFF 1 = LDO5 ON This bit returns to 0 at the beginning of PWROFF sequence or emergency shutdown.	0
D[3:0]	LDO5_VOLT[3:0]	LDO5 voltage 0x0 = 1.8 V (Initial) 0x1 = 1.9 V 0x2 = 2.0 V 0x3 = 2.1 V 0x4 = 2.2 V 0x5 = 2.3 V 0x6 = 2.4 V 0x7 = 2.5 V 0x8 = 2.6 V 0x9 = 2.7 V 0xA = 2.8 V 0xB = 2.9 V 0xC = 3.0 V 0xD = 3.1 V 0xE = 3.2 V 0xF = 3.3 V Note: Changing LDO5 voltage value is not allowed when LDO5 is still ON. In the case where this register value is changed, LDO5 should be turned OFF.	0000

5.3.6. LDO6

5.3.6.1. LDO6 Block Diagram

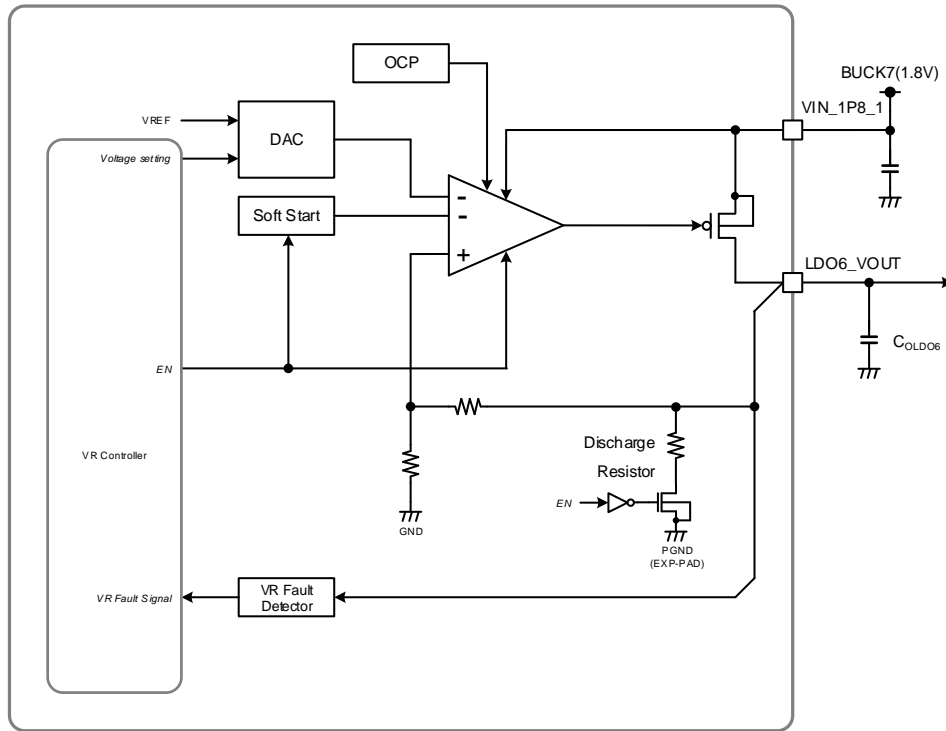


Figure 5-16. LDO6 Block Diagram

5.3.6.2. LDO6 Electrical Characteristics

Table 5-40. LDO6 Electrical Characteristics

(Unless otherwise specified, Ta = +25 °C, VSYS = 5.0 V, VIN_3P3 = 3.3 V, VIN_1P8_1 = 1.8 V, Vo = 0.9 V setting)

Parameter	Symbol	Limit			Unit	Condition
		Min	Typ	Max		
Output Voltage	V _{O_LDO6}	0.885	0.900	0.915	V	V _O =0.9 V setting I _o =1 mA
Output Voltage Range	V _{ORG_LDO6}	0.900	-	1.800	V	100 mV step
Maximum Output Current	I _{OMAX_LDO6}	300	-	-	mA	
Over Current Protection	I _{OCP_LDO6}	340	-	-	mA	
Quiescent Current	I _{Q_LDO6}	-	9	-	μA	I _o = 0 mA
Dropout Voltage	ΔV _{ODP_LDO6}	-	450	-	mV	I _o = I _{o max} VIN_V1P8_1 = 1.7 V, V _O = 1.8 V setting
Start up Time	t _{ST_LDO6}	-	400	1000	μs	I _o = 0 mA, During EN to 90 % of nominal Voltage
DC Output Voltage Load Regulation	ΔV _{LDR_LDO6}	-	10	20	mV	I _o = 1 mA to I _{o max}
DC Output Voltage Line Regulation	ΔV _{LNR_LDO6}	-	2	5	mV	VSYS = 4.5 V to 5.5 V, I _o = 50 mA
Discharge Resistance	R _{DIS_LDO6}	-	100	200	Ω	
VR Fault Detect Level	D _{VRFLDO6}	-	80	-	%	Output = Sweep down Power good detect level / V _o x 100
VR Fault Detect Hysteresis	D _{VRFLDO6_HYS}	-	10	-	%	(VR fault release level - detect level) / V _o x 100
Ripple Rejection Ratio	RR _{LDO6}	-	60	-	dB	VSYS = 5.0 V, I _o =I _{o max} /2 V _R = -20 dBV, f _R =100 Hz BW=20 Hz to 20 kHz
Output Capacitance	C _{OLD06}	1.1	2.2	22.0	μF	(Note 1) Effective capacitance with LDO's DC bias

(Note 1) This part value range need to be guaranteed over the operating surrounding temperature.

5.3.6.3. LDO6 Control

Table 5-41. LDO6_VOLT - LDO6 Voltage Register

Register Name	R/W	D7	D6	D5	D4	D3	D2	D1	D0	Initial	Address
LDO6_VOLT	R/W	LDO6_SEL	LDO6_EN	-	-	LDO6_VOLT[3:0]				0x00	0x1D

Bit	Name	Function	Initial
D[7]	LDO6_SEL	LDO6 control select bit 0 = LDO6 ON/OFF is controlled by state machine. 1 = LDO6 ON/OFF is controlled by D[6] on this register.	0
D[6]	LDO6_EN	LDO6 control bit with condition of D[7] 0 = LDO6 OFF 1 = LDO6 ON This bit returns to 0 at the beginning of PWROFF sequence or emergency shutdown.	0
D[3:0]	LDO6_VOLT[3:0]	LDO6 voltage 0x0 = 0.9 V (Initial) 0x1 = 1.0 V 0x2 = 1.1 V 0x3 = 1.2 V 0x4 = 1.3 V 0x5 = 1.4 V 0x6 = 1.5 V 0x7 = 1.6 V 0x8 = 1.7 V 0x9 = 1.8 V 0xA = 1.8 V 0xB = 1.8 V 0xC = 1.8 V 0xD = 1.8 V 0xE = 1.8 V 0xF = 1.8 V Note: Changing LDO6 voltage value is not allowed when LDO6 is still ON. In the case where this register value is changed, LDO6 should be turned OFF.	0000

5.3.7. LDO7

5.3.7.1. LDO7 Block Diagram

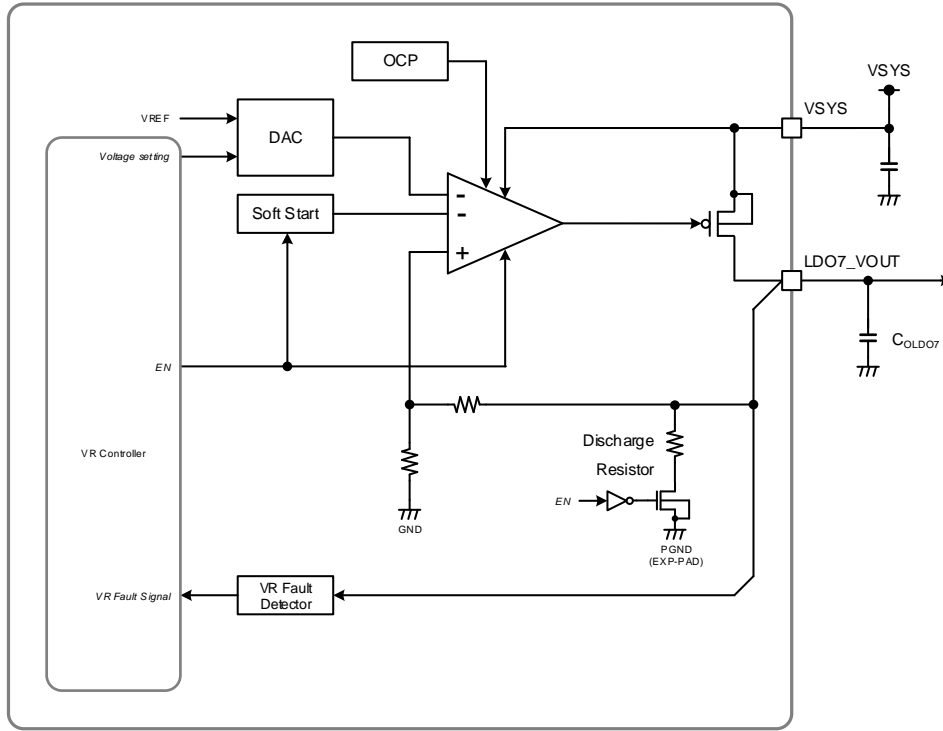


Figure 5-17. LDO7 Block Diagram

5.3.7.2. LDO7 Electrical Characteristics

Table 5-42. LDO7 Electrical Characteristics

(Unless otherwise specified, Ta = +25 °C, VSYS = 5.0 V, VIN_3P3 = 3.3 V, VIN_1P8_1 = 1.8 V, Vo = 3.3 V setting)

Parameter	Symbol	Limit			Unit	Condition
		Min	Typ	Max		
Output Voltage	V _{O_LDO7}	3.267	3.300	3.333	V	V _O =3.3 V setting I _O =1 mA
Output Voltage Range	V _{ORG_LDO7}	1.800	-	3.300	V	100 mV step
Maximum Output Current	I _{OMAX_LDO7}	150	-	-	mA	
Over Current Protection	I _{OCP_LDO7}	195	-	-	mA	
Quiescent Current	I _{Q_LDO7}	-	9	-	μA	I _O = 0 mA
Dropout Voltage	ΔV _{ODP_LDO7}	-	90	-	mV	I _O = I _{Omax} VSYS = 3.2 V, V _O = 3.3 V setting
Start up Time	t _{ST_LDO7}	-	530	1000	μs	I _O = 0 mA, During EN to 90 % of nominal Voltage
DC Output Voltage Load Regulation	ΔV _{LDR_LDO7}	-	10	20	mV	I _O = 1 mA to I _{Omax}
DC Output Voltage Line Regulation	ΔV _{LNR_LDO7}	-	2	5	mV	VSYS = 4.5 V to 5.5 V, I _O = I _{Omax}
Discharge Resistance	R _{DIS_LDO7}	-	100	200	Ω	
VR Fault Detect Level	D _{VRFLD07}	-	80	-	%	Output = Sweep down Power good detect level / V _O x 100
VR Fault Detect Hysteresis	D _{VRFLD07_HYS}	-	10	-	%	(VR fault release level - detect level) / V _O x 100
Ripple Rejection Ratio	RR _{LDO7}	-	60	-	dB	VSYS = 5.0 V, I _O =I _{Omax} /2 V _R = -20 dBV, f _R =100 Hz BW=20 Hz to 20 kHz
Output Capacitance	C _{OLD07}	1.1	2.2	22.0	μF	(Note 1) Effective capacitance with LDO's DC bias

(Note 1) This part value range need to be guaranteed over the operating surrounding temperature.

5.3.7.3. LDO7 Control

Table 5-43. LDO7_VOLT - LDO7 Voltage Register

Register Name	R/W	D7	D6	D5	D4	D3	D2	D1	D0	Initial	Address
LDO7_VOLT	R/W	LDO7_SEL	LDO7_EN	-	-	LDO7_VOLT[3:0]				0x0F	0x1E

Bit	Name	Function	Initial
D[7]	LDO7_SEL	LDO7 control select bit 0 = LDO7 ON/OFF is controlled by state machine. 1 = LDO7 ON/OFF is controlled by D[6] on this register.	0
D[6]	LDO7_EN	LDO7 control bit with condition of D[7] 0 = LDO7 OFF 1 = LDO7 ON This bit returns to 0 at the beginning of PWROFF sequence or emergency shutdown.	0
D[3:0]	LDO7_VOLT[3:0]	LDO7 voltage 0x0 = 1.8 V 0x1 = 1.9 V 0x2 = 2.0 V 0x3 = 2.1 V 0x4 = 2.2 V 0x5 = 2.3 V 0x6 = 2.4 V 0x7 = 2.5 V 0x8 = 2.6 V 0x9 = 2.7 V 0xA = 2.8 V 0xB = 2.9 V 0xC = 3.0 V 0xD = 3.1 V 0xE = 3.2 V 0xF = 3.3 V (Initial) Note: Changing LDO7 voltage value is not allowed when LDO7 is still ON. In the case where this register value is changed, LDO7 should be turned OFF.	1111

5.4. MUXSW

MUX Switch is for SD card power.

5.4.1. MUXSW Block Diagram

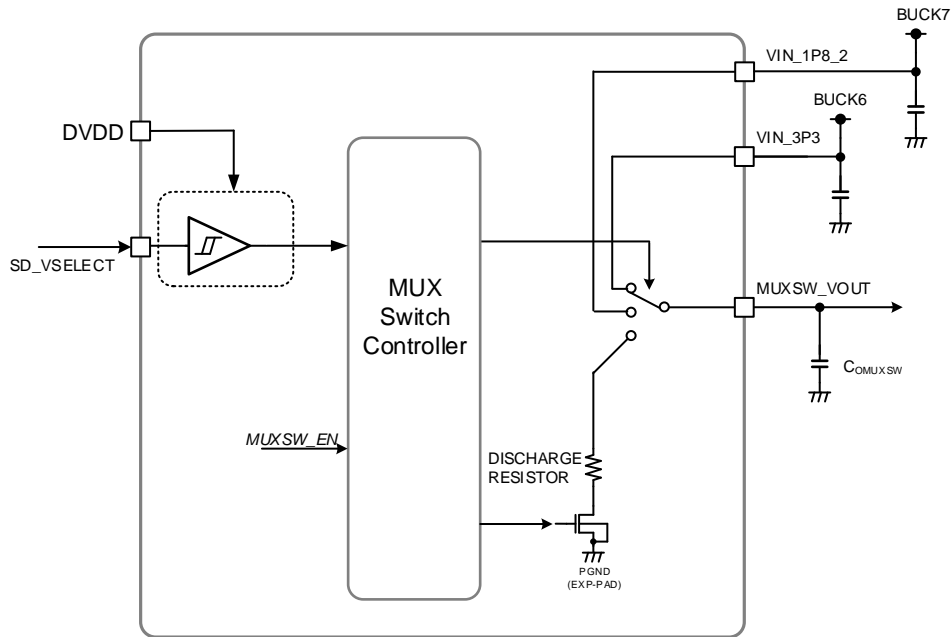


Figure 5-18. MUXSW Block Diagram

5.4.2. MUXSW Electrical Characteristics

Table 5-44. MUXSW Electrical Characteristics

(Unless otherwise specified, Ta = +25 °C, VSYS = 5.0 V, VIN_3P3 = 3.3 V, VIN_1P8_2 = 1.8 V, Vo = 3.3 V setting)

Parameter	Symbol	Limit			Unit	Condition
		Min	Typ	Max		
VIN_3P3 Input Voltage	VIN_3P3	-	3.300	-	V	
Switch ON Resistance(3.3 V mode)	RON_3P3	-	-	280	mΩ	SD_VSELECT=0 V, VIN_3P3>3.2 V
VIN_1P8_2 Input Voltage	VIN_1P8	-	1.800	-	V	
Switch ON Resistance(1.8 V mode)	RON_1P8	-	-	200	mΩ	SD_VSELECT=DVDD, VIN_1P8_2>1.7 V
Maximum Output Current	IOMAX_MUX	150	-	-	mA	
Discharge Resistance	RDIS_MUX	-	30	60	Ω	VIN_1P8_2=0 V, VIN_3P3=0 V, Io=-10 mA
Output Capacitance	CO_MUX	11	22	33	μF	(Note 1) Effective capacitance with Output voltage

(Note 1) This part value range need to be guaranteed over the operating surrounding temperature.

Table 5-45. SD_VSELECT Electrical Characteristics

(Unless otherwise specified, Ta=25 °C, DVDD=3.3V)

Parameter	Symbol	Limit			Unit	Condition
		Min	Typ	Max		
Input "H" Level	VIHSDV	DVDD x0.75	-	-	V	
Input "L" Level	VILSDV	-	-	DVDD x0.25	V	

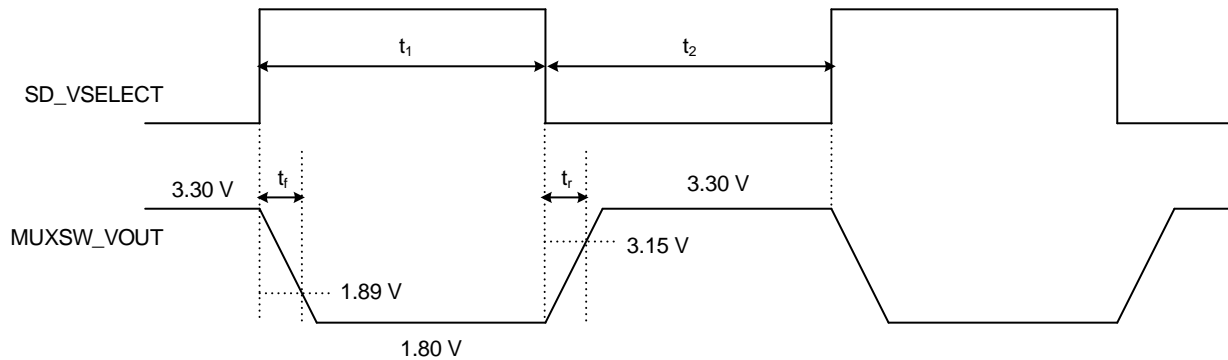


Figure 5-19. MUXSW Sequence

Table 5-46. MUXSW Sequence Timing

Symbol	Description	Min	Typ	Max	Unit
t1	SD_VSELCT High Time (Note 1)	2	-	-	ms
t2	SD_VSELCT Low Time (Note 1)	2	-	-	ms
tr	Transition Time 3.3 V to 1.8 V	-	-	1	ms
tr	Transition Time 1.8 V to 3.3 V	-	-	1	ms

(Note 1) t1 and t2 need over 2ms.

Table 5-47. MUXSW_EN - MUXSW Enable Register

Register Name	R/W	D7	D6	D5	D4	D3	D2	D1	D0	Initial	Address
MUXSW_EN	R/W	-	-	-	-	-	-	-	MUXSW_EN	0x01	0x30

Bit	Name	Function	Initial
D[0]	MUXSW_EN	MUXSW control bit 0 = MUXSW OFF 1 = MUXSW ON	1

6. 32.768 kHz Crystal Oscillator Driver

6.1. 32.768 kHz Crystal Oscillator Driver Block Diagram

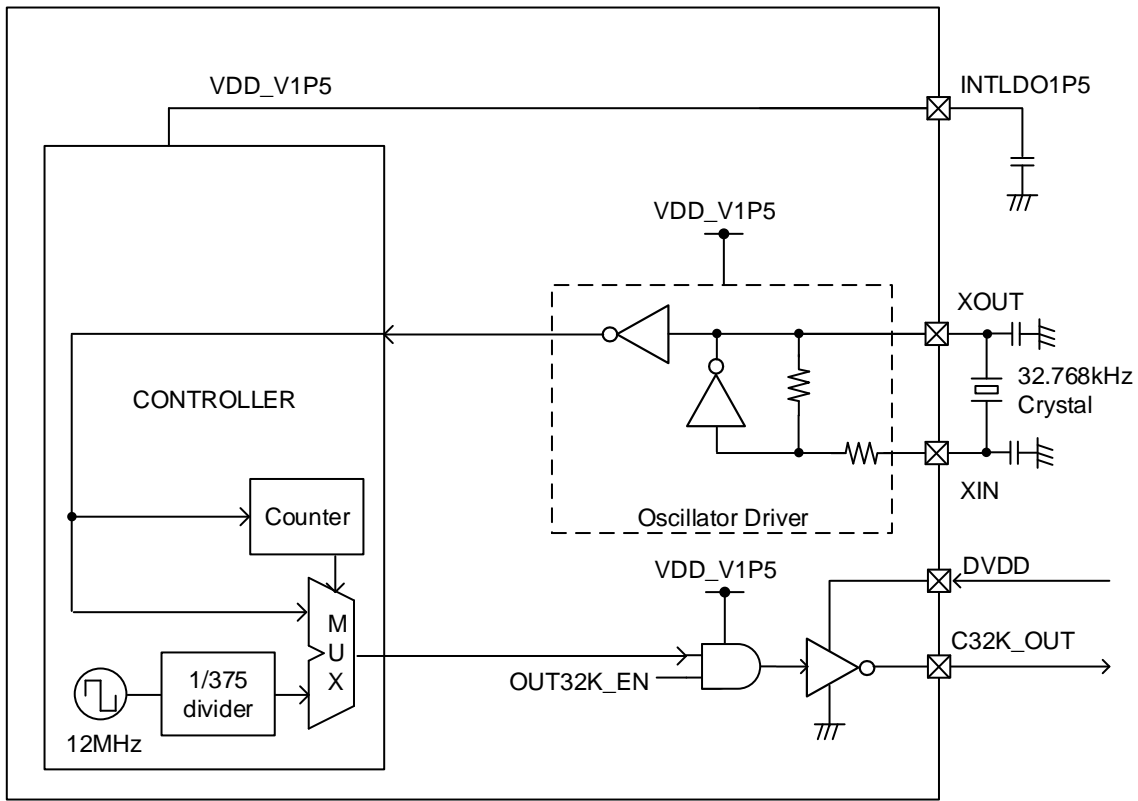


Figure 6-1. 32.768 kHz Crystal Oscillator Driver Block Diagram

Table 6-1. C32K_OUT Control Register

Register Name	R/W	D7	D6	D5	D4	D3	D2	D1	D0	Initial	Address
OUT32K	R/W	-	-	-	-	-	-	-	OUT32K_EN	0x01	0x2E
Bit	Name	Function								Initial	
D[0]	OUT32K_EN	0 = Disable (C32K_OUT is Low level) 1 = Enable								1	

The C32K_OUT pin outputs 32kHz pulse which is divided internal oscillator output(12 MHz/375), at the beginning of the power on sequence. The C32K_OUT pin output is switched automatically from internal oscillator to 32.768 kHz crystal oscillator driver after 32.768 kHz crystal oscillator driver is begun oscillating stably. The internal controller counts 32.768 kHz crystal oscillator outputs. It judges that the oscillating is stable when the counter expires 3000 counts.

6.2. 32.768 kHz Crystal Oscillator Driver Electrical Characteristics

Table 6-2. 32.768 kHz Crystal Oscillator Driver Electrical Characteristics

(Unless otherwise specified, Ta = +25 °C, VSYS = 5.0 V, DVDD = 3.3 V)

Parameter	Symbol	Limit			Unit	Condition
		Min	Typ	Max		
Output Frequency	f_{RTCLK}	-	32.768	-	kHz	With external crystal
Output Duty Cycle		40	50	60	%	
Output H Level Voltage	V_{OH32K}	2.64	-	-	V	$I_{OH} = -1 \text{ mA}$
Output L Level Voltage	V_{OL32K}	-	-	0.4	V	$I_{OL} = 1 \text{ mA}$

(Note) The following 32.768 kHz crystal is recommended.
ST3215SB32768H5HPWAA (KYOCERA: $C_L=12.5 \text{ pF}$)

7. Operational Notes

1. Reverse Connection of Power Supply

Connecting the power supply in reverse polarity can damage the IC. Take precautions against reverse polarity when connecting the power supply, such as mounting an external diode between the power supply and the IC's power supply pins.

2. Power Supply Lines

Design the PCB layout pattern to provide low impedance supply lines. Separate the ground and supply lines of the digital and analog blocks to prevent noise in the ground and supply lines of the digital block from affecting the analog block. Furthermore, connect a capacitor to ground at all power supply pins. Consider the effect of temperature and aging on the capacitance value when using electrolytic capacitors.

3. Ground Voltage

Ensure that no pins are at a voltage below that of the ground pin at any time, even during transient condition.

4. Ground Wiring Pattern

When using both small-signal and large-current ground traces, the two ground traces should be routed separately but connected to a single ground at the reference point of the application board to avoid fluctuations in the small-signal ground caused by large currents. Also ensure that the ground traces of external components do not cause variations on the ground voltage. The ground lines must be as short and thick as possible to reduce line impedance.

5. Recommended Operating Conditions

The function and operation of the IC are guaranteed within the range specified by the recommended operating conditions. The characteristic values are guaranteed only under the conditions of each item specified by the electrical characteristics.

6. Inrush Current

When power is first supplied to the IC, it is possible that the internal logic may be unstable and inrush current may flow instantaneously due to the internal powering sequence and delays, especially if the IC has more than one power supply. Therefore, give special consideration to power coupling capacitance, power wiring, width of ground wiring, and routing of connections.

7. Operation Under Strong Electromagnetic Field

Operating the IC in the presence of a strong electromagnetic field may cause the IC to malfunction.

8. Testing on Application Boards

When testing the IC on an application board, connecting a capacitor directly to a low-impedance output pin may subject the IC to stress. Always discharge capacitors completely after each process or step. The IC's power supply should always be turned off completely before connecting or removing it from the test setup during the inspection process. To prevent damage from static discharge, ground the IC during assembly and use similar precautions during transport and storage.

7. Operational Notes – continued

9. Inter-pin Short and Mounting Errors

Ensure that the direction and position are correct when mounting the IC on the PCB. Incorrect mounting may result in damaging the IC. Avoid nearby pins being shorted to each other especially to ground, power supply and output pin. Inter-pin shorts could be due to many reasons such as metal particles, water droplets (in very humid environment) and unintentional solder bridge deposited in between pins during assembly to name a few.

10. Unused Input Pins

Input pins of an IC are often connected to the gate of a MOS transistor. The gate has extremely high impedance and extremely low capacitance. If left unconnected, the electric field from the outside can easily charge it. The small charge acquired in this way is enough to produce a significant effect on the conduction through the transistor and cause unexpected operation of the IC. So unless otherwise specified, unused input pins should be connected to the power supply or ground line.

11. Regarding the Input Pin of the IC

This monolithic IC contains P+ isolation and P substrate layers between adjacent elements in order to keep them isolated. P-N junctions are formed at the intersection of the P layers with the N layers of other elements, creating a parasitic diode or transistor. For example (refer to figure below):

When $GND > Pin A$ and $GND > Pin B$, the P-N junction operates as a parasitic diode.
When $GND > Pin B$, the P-N junction operates as a parasitic transistor.

Parasitic diodes inevitably occur in the structure of the IC. The operation of parasitic diodes can result in mutual interference among circuits, operational faults, or physical damage. Therefore, conditions that cause these diodes to operate, such as applying a voltage lower than the GND voltage to an input pin (and thus to the P substrate) should be avoided.

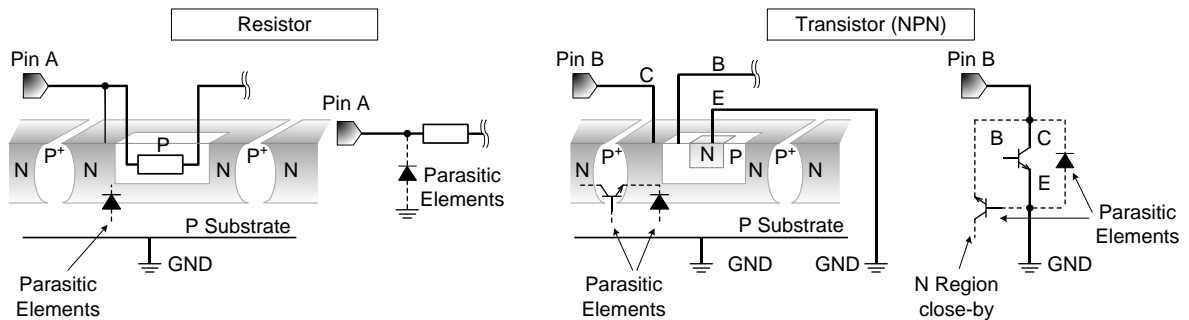


Figure 7-1. Example of Monolithic IC Structure

12. Ceramic Capacitor

When using a ceramic capacitor, determine a capacitance value considering the change of capacitance with temperature and the decrease in nominal capacitance due to DC bias and others.

13. Area of Safe Operation (ASO)

Operate the IC such that the output voltage, output current, and the maximum junction temperature rating are all within the Area of Safe Operation (ASO).

14. Thermal Shutdown Circuit(TSD)

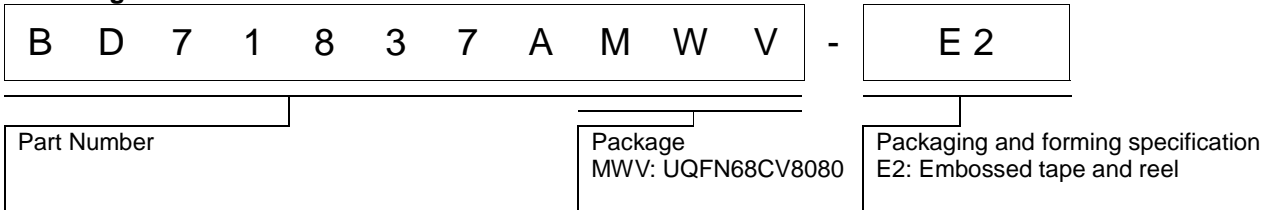
This IC has a built-in thermal shutdown circuit that prevents heat damage to the IC. Normal operation should always be within the IC's maximum junction temperature rating. If however the rating is exceeded for a continued period, the junction temperature (T_j) will rise which will activate the TSD circuit that will turn OFF power output pins. When the T_j falls below the TSD threshold, the circuits are automatically restored to normal operation.

Note that the TSD circuit operates in a situation that exceeds the absolute maximum ratings and therefore, under no circumstances, should the TSD circuit be used in a set design or for any purpose other than protecting the IC from heat damage.

15. Over Current Protection Circuit (OCP)

This IC incorporates an integrated overcurrent protection circuit that is activated when the load is shorted. This protection circuit is effective in preventing damage due to sudden and unexpected incidents. However, the IC should not be used in applications characterized by continuous operation or transitioning of the protection circuit.

8. Ordering Information



9. Marking Diagram

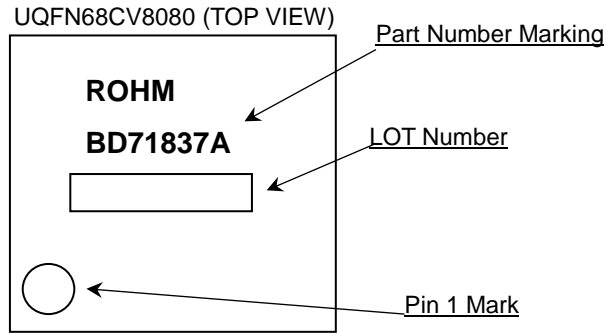
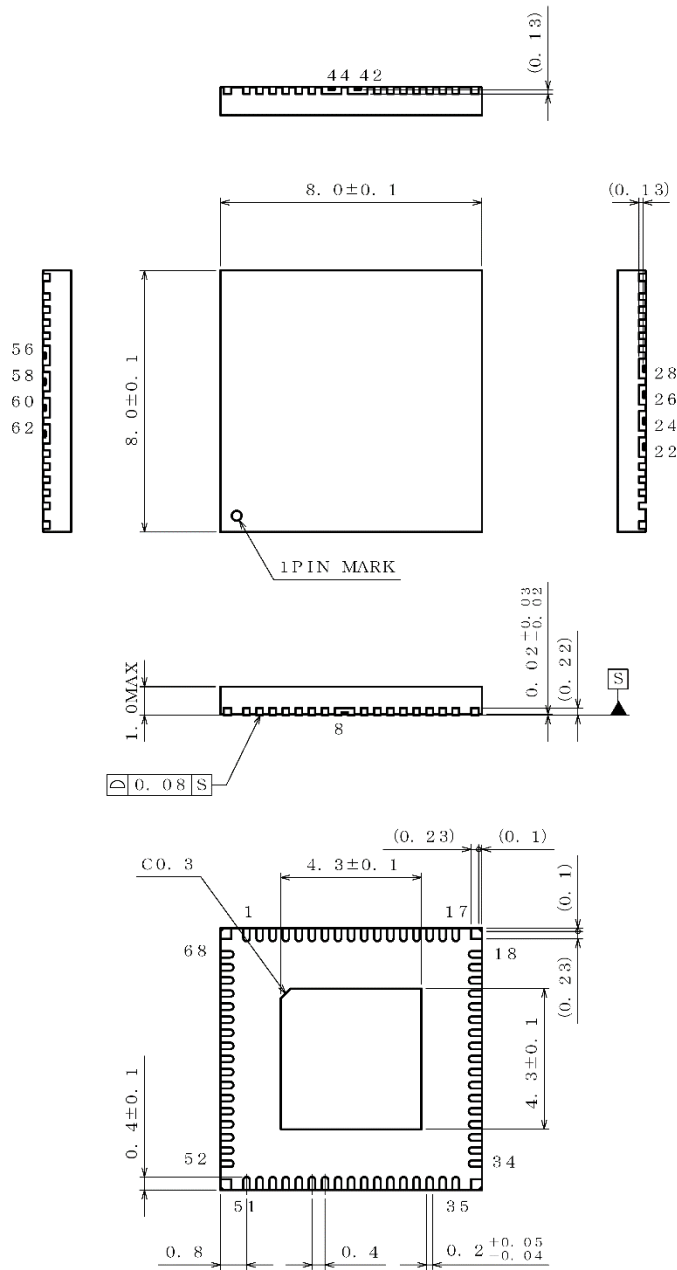


Figure 9-1. Marking Diagram

10. Physical Dimension and Packing Information

Package Name	UQFN68CV8080
--------------	--------------

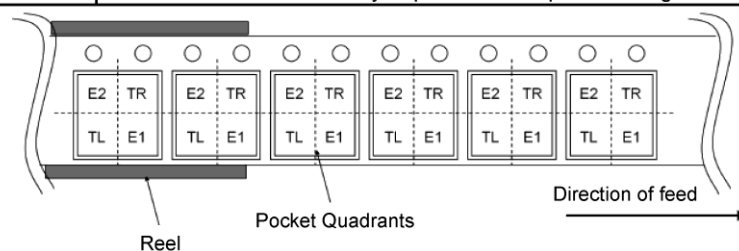


(UNIT : mm)

PKG : UQFN68CV8080

< Tape and Reel Information >

Tape	Embossed carrier tape
Quantity	1000pcs
Direction of feed	E2 The direction is the pin 1 of product is at the upper left when you hold reel on the left hand and you pull out the tape on the right hand



11. Revision History

Date	Revision	Changes
17.Apr.2019	001	New Release
12.Nov.2019	002	<p>p.11 Corrected typo of Pin Description of EXP-PAD.</p> <p>p.42 Added INTLDO1P5 and INTLDO1P5_UVLO signals and corrected VSYS_UVLO signal in Figure 3-15.</p> <p>p.66 Clarified explanation of I2C slave address.</p> <p>p.90 Added the description about subharmonic for BUCK6.</p> <p>p.91 Changed the minimum value of Output Capacitor from 22 μF to 15.4 μF.</p> <p>p.91 Added the description about Headroom of BUCK6.</p> <p>p.74,78,82,85,88,91,94,97 Corrected typos (VR Fault parameter name of BUCK1, 2, 3, 4, 5, 6, 7 and 8. Symbol of VR Fault of BUCK8.).</p>
16.Mar.2020	003	<p>p.1,19 Changed the maximum operating temperature to 105 °C.</p> <p>p.74,78,82,85,88,91,94,97,100,103,105,108,111,114,117,120 Deleted temperature condition of parts. Added note about parts temperature.</p>

Notice

Precaution on using ROHM Products

- Our Products are designed and manufactured for application in ordinary electronic equipment (such as AV equipment, OA equipment, telecommunication equipment, home electronic appliances, amusement equipment, etc.). If you intend to use our Products in devices requiring extremely high reliability (such as medical equipment ^(Note 1), transport equipment, traffic equipment, aircraft/spacecraft, nuclear power controllers, fuel controllers, car equipment including car accessories, safety devices, etc.) and whose malfunction or failure may cause loss of human life, bodily injury or serious damage to property ("Specific Applications"), please consult with the ROHM sales representative in advance. Unless otherwise agreed in writing by ROHM in advance, ROHM shall not be in any way responsible or liable for any damages, expenses or losses incurred by you or third parties arising from the use of any ROHM's Products for Specific Applications.

(Note1) Medical Equipment Classification of the Specific Applications

JAPAN	USA	EU	CHINA
CLASS III	CLASS III	CLASS II b	CLASS III
CLASS IV		CLASS III	

- ROHM designs and manufactures its Products subject to strict quality control system. However, semiconductor products can fail or malfunction at a certain rate. Please be sure to implement, at your own responsibilities, adequate safety measures including but not limited to fail-safe design against the physical injury, damage to any property, which a failure or malfunction of our Products may cause. The following are examples of safety measures:
 - Installation of protection circuits or other protective devices to improve system safety
 - Installation of redundant circuits to reduce the impact of single or multiple circuit failure
- Our Products are designed and manufactured for use under standard conditions and not under any special or extraordinary environments or conditions, as exemplified below. Accordingly, ROHM shall not be in any way responsible or liable for any damages, expenses or losses arising from the use of any ROHM's Products under any special or extraordinary environments or conditions. If you intend to use our Products under any special or extraordinary environments or conditions (as exemplified below), your independent verification and confirmation of product performance, reliability, etc. prior to use, must be necessary:
 - Use of our Products in any types of liquid, including water, oils, chemicals, and organic solvents
 - Use of our Products outdoors or in places where the Products are exposed to direct sunlight or dust
 - Use of our Products in places where the Products are exposed to sea wind or corrosive gases, including Cl₂, H₂S, NH₃, SO₂, and NO₂
 - Use of our Products in places where the Products are exposed to static electricity or electromagnetic waves
 - Use of our Products in proximity to heat-producing components, plastic cords, or other flammable items
 - Sealing or coating our Products with resin or other coating materials
 - Use of our Products without cleaning residue of flux (Exclude cases where no-clean type fluxes is used. However, recommend sufficiently about the residue.) ; or Washing our Products by using water or water-soluble cleaning agents for cleaning residue after soldering
 - Use of the Products in places subject to dew condensation
- The Products are not subject to radiation-proof design.
- Please verify and confirm characteristics of the final or mounted products in using the Products.
- In particular, if a transient load (a large amount of load applied in a short period of time, such as pulse, is applied, confirmation of performance characteristics after on-board mounting is strongly recommended. Avoid applying power exceeding normal rated power; exceeding the power rating under steady-state loading condition may negatively affect product performance and reliability.
- De-rate Power Dissipation depending on ambient temperature. When used in sealed area, confirm that it is the use in the range that does not exceed the maximum junction temperature.
- Confirm that operation temperature is within the specified range described in the product specification.
- ROHM shall not be in any way responsible or liable for failure induced under deviant condition from what is defined in this document.

Precaution for Mounting / Circuit board design

- When a highly active halogenous (chlorine, bromine, etc.) flux is used, the residue of flux may negatively affect product performance and reliability.
- In principle, the reflow soldering method must be used on a surface-mount products, the flow soldering method must be used on a through hole mount products. If the flow soldering method is preferred on a surface-mount products, please consult with the ROHM representative in advance.

For details, please refer to ROHM Mounting specification

Precautions Regarding Application Examples and External Circuits

1. If change is made to the constant of an external circuit, please allow a sufficient margin considering variations of the characteristics of the Products and external components, including transient characteristics, as well as static characteristics.
2. You agree that application notes, reference designs, and associated data and information contained in this document are presented only as guidance for Products use. Therefore, in case you use such information, you are solely responsible for it and you must exercise your own independent verification and judgment in the use of such information contained in this document. ROHM shall not be in any way responsible or liable for any damages, expenses or losses incurred by you or third parties arising from the use of such information.

Precaution for Electrostatic

This Product is electrostatic sensitive product, which may be damaged due to electrostatic discharge. Please take proper caution in your manufacturing process and storage so that voltage exceeding the Products maximum rating will not be applied to Products. Please take special care under dry condition (e.g. Grounding of human body / equipment / solder iron, isolation from charged objects, setting of Ionizer, friction prevention and temperature / humidity control).

Precaution for Storage / Transportation

1. Product performance and soldered connections may deteriorate if the Products are stored in the places where:
 - [a] the Products are exposed to sea winds or corrosive gases, including Cl₂, H₂S, NH₃, SO₂, and NO₂
 - [b] the temperature or humidity exceeds those recommended by ROHM
 - [c] the Products are exposed to direct sunshine or condensation
 - [d] the Products are exposed to high Electrostatic
2. Even under ROHM recommended storage condition, solderability of products out of recommended storage time period may be degraded. It is strongly recommended to confirm solderability before using Products of which storage time is exceeding the recommended storage time period.
3. Store / transport cartons in the correct direction, which is indicated on a carton with a symbol. Otherwise bent leads may occur due to excessive stress applied when dropping of a carton.
4. Use Products within the specified time after opening a humidity barrier bag. Baking is required before using Products of which storage time is exceeding the recommended storage time period.

Precaution for Product Label

A two-dimensional barcode printed on ROHM Products label is for ROHM's internal use only.

Precaution for Disposition

When disposing Products please dispose them properly using an authorized industry waste company.

Precaution for Foreign Exchange and Foreign Trade act

Since concerned goods might be fallen under listed items of export control prescribed by Foreign exchange and Foreign trade act, please consult with ROHM in case of export.

Precaution Regarding Intellectual Property Rights

1. All information and data including but not limited to application example contained in this document is for reference only. ROHM does not warrant that foregoing information or data will not infringe any intellectual property rights or any other rights of any third party regarding such information or data.
2. ROHM shall not have any obligations where the claims, actions or demands arising from the combination of the Products with other articles such as components, circuits, systems or external equipment (including software).
3. No license, expressly or implied, is granted hereby under any intellectual property rights or other rights of ROHM or any third parties with respect to the Products or the information contained in this document. Provided, however, that ROHM will not assert its intellectual property rights or other rights against you or your customers to the extent necessary to manufacture or sell products containing the Products, subject to the terms and conditions herein.

Other Precaution

1. This document may not be reprinted or reproduced, in whole or in part, without prior written consent of ROHM.
2. The Products may not be disassembled, converted, modified, reproduced or otherwise changed without prior written consent of ROHM.
3. In no event shall you use in any way whatsoever the Products and the related technical information contained in the Products or this document for any military purposes, including but not limited to, the development of mass-destruction weapons.
4. The proper names of companies or products described in this document are trademarks or registered trademarks of ROHM, its affiliated companies or third parties.

General Precaution

1. Before you use our Products, you are requested to carefully read this document and fully understand its contents. ROHM shall not be in any way responsible or liable for failure, malfunction or accident arising from the use of any ROHM's Products against warning, caution or note contained in this document.
2. All information contained in this document is current as of the issuing date and subject to change without any prior notice. Before purchasing or using ROHM's Products, please confirm the latest information with a ROHM sales representative.
3. The information contained in this document is provided on an "as is" basis and ROHM does not warrant that all information contained in this document is accurate and/or error-free. ROHM shall not be in any way responsible or liable for any damages, expenses or losses incurred by you or third parties resulting from inaccuracy or errors of or concerning such information.