

Structure : Silicon Monolithic Integrated Circuit
 Product Name : Power Driver IC for CD changers

Device Name : **BD7962FM**

- Features :
- 6-ch driver IC comprising of 3 channels for BTL drivers and 3 channels for loading drivers
 - 2 channels of loading drivers providing MOS outputs with a high D-range (Ron=1.0Ω)
 - Provided with a loading driver voltage setting terminal
 - In BTL driver 3 channels, individually installed is a pre-stage OP-AMP which allows a differential input and an addition input.
 - A built-in general operational amplifier 1 channel installed
 - MUTE SW provided
 - A built-in thermal shutdown circuit installed.
 - HSOP-M36 package

○ ABSOLUTE MAXIMUM RATINGS (Ta=25°C)

| Parameter | Symbol | Limits | Unit |
|-----------------------------|--------|-------------|------|
| Power Supply Voltage | Vcc | 15 | V |
| Power Dissipation | Pd | 2.2 *1 | W |
| Operating Temperature Range | Topr | -40 to +85 | °C |
| Storage Temperature Range | Tstg | -55 to +150 | °C |

*1 When mounted on the glass/epoxy board with the size: 70 mm×70 mm, the thickness: 1.6 mm, and the rate of copper foil occupancy area: 3% or less.
 Over Ta=25°C, derating at the rate of 17.6mW/°C.

○ RECOMMENDED OPERATING CONDITIONS

| Parameter | Symbol | MIN | TYP | MAX | Unit |
|-----------------------------------|--------|-----|-----|------|------|
| Power Supply Voltage 1 (CH1, CH2) | Vcc1 | 4.5 | 5.0 | Vcc3 | V |
| Power Supply Voltage2 (CH3, CH4) | Vcc2 | 4.5 | 8.0 | 14.0 | V |
| Power Supply Voltage 3 (CH5, CH6) | Vcc3 | 4.5 | 8.0 | 14.0 | V |

This product has not been checked for the strategic materials (or service) defined in the Foreign Exchange and Foreign Trade Control Law of Japan so that a verification work is required before exporting it.

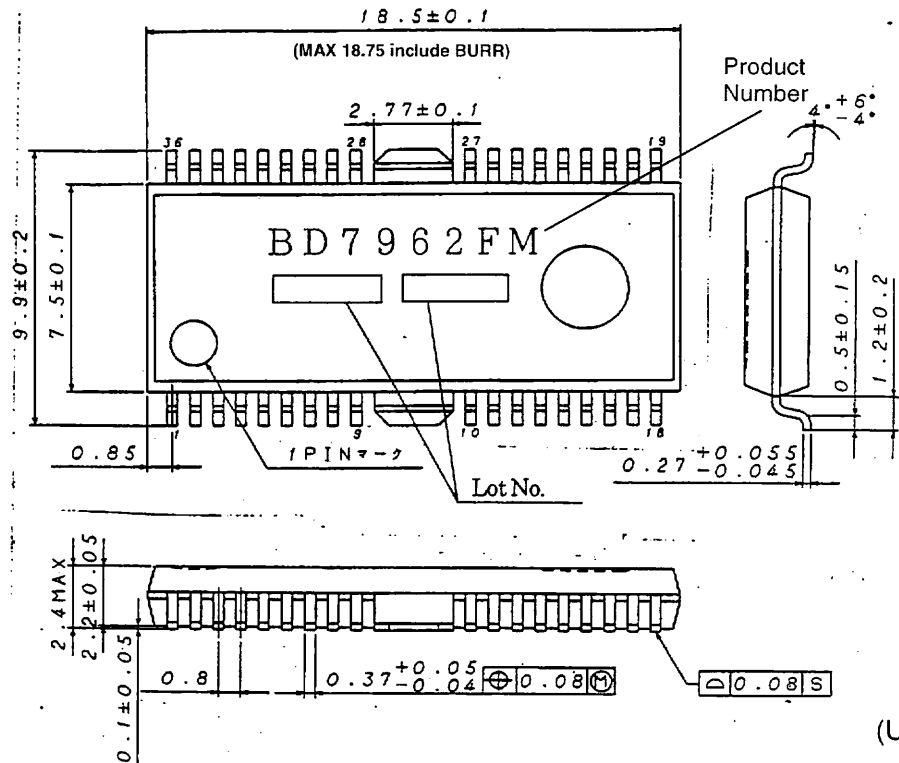
Not designed for radiation resistance.

○ ELECTRIC CHARACTERISTICS

(Ta=25°C, Vcc1=5V, Vcc2=Vcc3=8V, BIAS=1.65V, RL=8Ω, unless otherwise noted.)

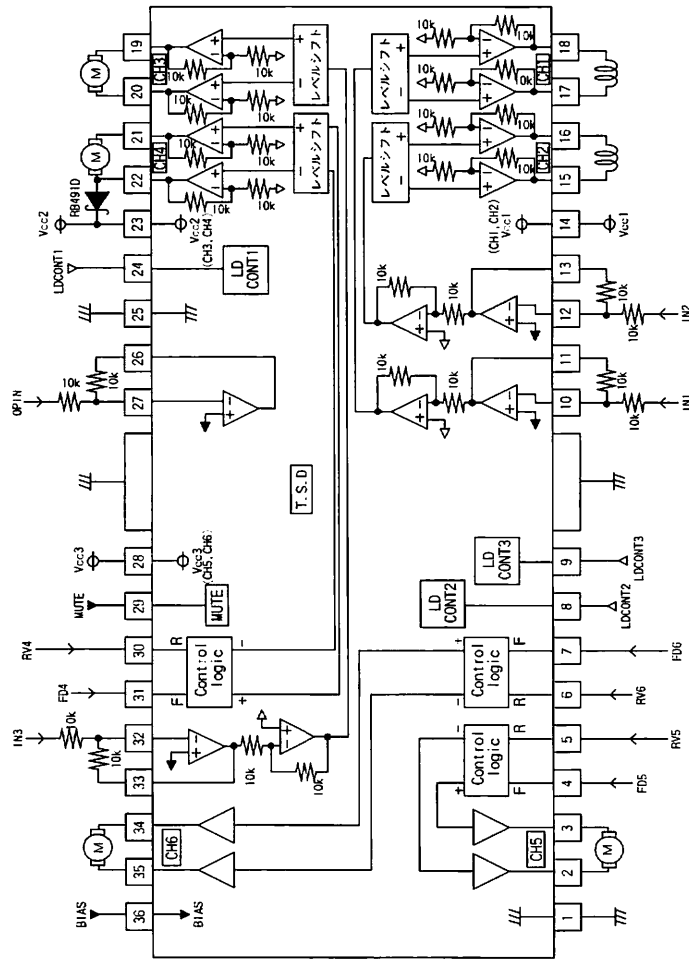
| Parameter | Symbol | MIN. | TYP. | MAX. | Unit | Condition |
|--|---------|------|------|---------|------|---|
| Quiescent Circuit Current (Voc1) | ICC1 | - | 0.30 | 0.70 | mA | No load applied |
| Quiescent Circuit Current (Voc2) | ICC2 | 11.5 | 23.0 | 32.0 | | No load applied |
| Quiescent Circuit Current (Voc3) | ICC3 | 1.9 | 3.8 | 5.7 | | No load applied |
| <BTL Driver CH1 - CH3> | | | | | | |
| Output Offset Voltage | VOFS | -40 | 0 | +70 | mV | |
| Maximum Output Amplitude (CH1, CH2) | VOM1 | 3.7 | 4.0 | - | V | |
| Maximum Output Amplitude (CH3) | VOM2 | 5.4 | 6.0 | - | V | |
| Closed Circuit Voltage Gain (CH1 - CH3) | GVC | 10 | 12 | 14 | dB | VIN=BIAS±0.5V, when pre-stage OP buffered |
| Difference between positive and negative voltage gains (CH1 - CH3) | ΔGVC | -20 | 0 | 20 | dB | |
| Mute ON Voltage | VMON | GND | - | 0.5 | V | |
| Mute Reset Voltage | VMOFF | 2.0 | - | Vcc | V | |
| Mute Terminal Input Current | IMUTE | - | 80 | 125 | μA | VMUTE=5VVBIAS=2.5V |
| Bias Terminal Inflow Current | IBIAS | - | 75 | 120 | μA | VBIAS=2.5V |
| <Loading Driver CH4 - CH6> | | | | | | |
| Output Offset Voltage | VOFSL | -35 | 0 | +35 | mV | In brake mode |
| Input Terminal Threshold Voltage H | VH | 2.0 | - | Vcc | V | |
| Input Terminal Threshold Voltage L | VL | GND | - | 0.5 | V | |
| Maximum Output Amplitude (CH4) | VOML | 5.4 | 6.0 | - | V | RL=8Ω |
| Output Saturation Voltage H (CH5, CH6) | VOLH | - | 0.38 | 0.70 | V | Lo=500mA |
| Output Saturation Voltage L (CH5, CH6) | VOLL | - | 0.12 | 0.25 | V | Lo=500mA |
| Voltage Gain (Loading) | GVLD | 4.0 | 6.0 | 8.0 | dB | LDCONT=5V |
| Difference between positive and negative voltage gains (Loading) | ΔGVLD | -2.0 | 0 | 2.0 | dB | |
| Input Terminal Inflow Current | INL | - | 180 | 270 | μA | LDIN=5V |
| LDCONT Terminal Outflow Current (LDCONT 1) | ILDIC1 | - | - | 0.5 | mA | LDCONT=5V |
| LDCONT Terminal Outflow Current (LDCONT 2,3) | ILDIC2 | - | - | 300 | nA | LDCONT=5V |
| <Pre-stage OP-amp / OP-amp> | | | | | | |
| Input Offset Voltage | VOPOFS | -5 | 0 | +5 | mV | |
| Input Bias Current | IOPB | - | - | 300 | nA | |
| Common Mode Input Voltage Range | VOPICM | 0.3 | - | VCC-1.2 | V | |
| Maximum Output Source Current | Isource | 500 | 800 | - | μA | |
| Maximum Output Sink Current | ISNK | 2 | - | - | mA | |
| Slew Rate | SR | - | 2 | - | V/μs | |

○ OUTLINE DIMENSIONS



(UNIT: mm)

○ APPLICATION CIRCUIT DIAGRAM



T.S.D: (Thermal shutdown)
Resistance unit : [Ω]

○ PIN Description

| No. | Pin name | Description | No. | Pin name | Description |
|-----|----------|---|-----|----------|---|
| 1 | GND2 | GND (Loading driver unit) | 19 | OUT3+ | BTL driver (CH3) output + |
| 2 | OUT5- | Loading driver (CH5) output - | 20 | OUT3- | BTL driver (CH3) output - |
| 3 | OUT5+ | Loading driver (CH5) output + | 21 | OUT4+ | Loading driver (CH4) output + |
| 4 | IN5FWD | Loading driver (CH5) FWD input | 22 | OUT4- | Loading driver (CH4) output - |
| 5 | IN5REV | Loading driver (CH5) REV input | 23 | Vcc2 | Power Supply Voltage (CH3, CH4) |
| 6 | IN6REV | Loading driver (CH6) REV input | 24 | LDCONT 1 | Loading driver (CH4) voltage setting terminal |
| 7 | IN6FWD | Loading driver (CH6) FWD input | 25 | GND1 | GND (BTL driver part) |
| 8 | LDCONT 2 | Loading driver (CH5) voltage setting terminal | 26 | OPOUT | OP-amp output |
| 9 | LDCONT 3 | Loading driver (CH6) voltage setting terminal | 27 | OPIN- | OP-amp negative input |
| 10 | OPIN1- | CH1 pre-stage OP-amp negative input | 28 | Vcc3 | Power Supply Voltage (CH5, CH6 parts) |
| 11 | OP1OUT | CH1 pre-stage OP-amp output | 29 | MUTE | BTL driver MUTE terminal |
| 12 | OPIN2- | CH2 pre-stage OP-amp negative input | 30 | IN4REV | loading driver (CH4) REV input |
| 13 | OP2OUT | CH2 pre-stage OP-amp output | 31 | IN4FWD | loading driver (CH4) FWD input |
| 14 | Vcc1 | Power Supply Voltage (CH1, CH2) | 32 | OPIN3- | CH3 pre-stage OP-amp negative input |
| 15 | OUT2- | BTL driver (CH2) output - | 33 | OP3OUT | CH3 pre-stage OP-amp output |
| 16 | OUT2+ | BTL driver (CH2) output + | 34 | OUT6+ | Loading driver (CH6) output + |
| 17 | OUT1- | BTL driver (CH1) output - | 35 | OUT6- | loading driver (CH6) output - |
| 18 | OUT1+ | BTL driver (CH1) output + | 36 | BIAS | BIAS terminal |

* The positive or negative polarity of the BTL driver output corresponds to the output polarity of the pre-stage OP-amp.

When the pre-stage OP-amp output is H, the positive output will be H while the negative one L.

○ CAUTIONS ON USE

- (1) When the mute terminal (Pin 29) is set to open or its voltage drops to 0.5V (typ.) or less, the output current of the BTL driver part (CH1 to CH3) can be muted.
Under conditions of normal use, it should be pulled up to 2.0V or above.
- (2) On the Bias terminal (Pin 36), the applied voltage of 0.7V (Typ.) or less will activate the mute function on the BTL driver part (CH1-CH3).
Under conditions of normal use, it should be kept 1.1V or above.
- (3) Thermal shutdown (TSD) will activate the mute function on all drivers, while mute ON or bias terminal voltage drop will on the BTL drivers except loading drivers.
The pre-stage OP-amps cannot be muted in any cases described above.
While muting, the output terminals of CH1 and CH2 show the internal bias voltage: $V_{cc1}/2V$ and the output terminal of CH3 show the internal bias voltage: $(V_{cc2}-0.7)/2V$.
- (4) The loading driver functions following to the logic in the table below:

| INPUT | | OUTPUT | | Function |
|-------|-----|--------|------|----------------|
| FWD | REV | OUT+ | OUT- | |
| L | L | Hi-Z | Hi-Z | High Impedance |
| L | H | L | H | Reverse mode |
| H | L | H | L | Forward mode |
| H | H | L | L | Brake mode |

Although the output voltage can be changed by the input voltage through the LDCONT terminal (gain 6dB Typ.), it never exceeds the maximum output voltage restricted by the power supply voltage even if applying a voltage much larger than the normal value.

If the LDCONT terminals (Pin 8, Pin 9, Pin 24) are set to 0.7V or less, the outputs of the loading driver corresponding to the LDCONT terminal will be in the High-impedance mode.

CH4 with the impedance of 40kΩ, however, shows the internal bias voltage: $(V_{CC2}-0.7)/2V$.

- (5) On Vcc2 (Pin 23) must be applied the same voltage as that of Vcc3 (Pin 28) and Vcc1 (Pin 14) or above.
- (6) The radiating FIN must be connected to the external GND.
- (7) A Shot key diode must be inserted between OUT4- (Pin 22) and Vcc2 (Pin 23) (see the APPLICATION CIRCUIT DIAGRAM) to prevent the current induced by a counter electromotive force of the motor from flowing into the IC.
- (8) Short-circuits between output pin-VCC, output pin-GND, or output terminals (load short) must be avoided. It may damage ICs or produce smoke.
- (9) About absolute maximum ratings
Exceeding the absolute maximum ratings, such as the applied voltage or the operating temperature range, may cause permanent device damage. As these cases cannot be limited to the broken short mode or the open mode, if a special mode where the absolute maximum ratings may be exceeded is assumed, it is recommended to take mechanical safety measures such as attaching fuses.
- (10) About power supply lines
As a measure against the back current regenerated by a counter electromotive force of the motor, a capacitor to be used as a regenerated-current path can be installed between the power supply and GND and its capacitance value should be determined after careful check that any problems, for example, a leak capacitance of the electrolytic capacitor at low temperature, are not found in various characteristics.
- (11) About GND potential
The electric potential of the GND terminal must be kept lowest in the circuitry at any operation states.
- (12) About thermal design
With consideration of the power dissipation (Pd) under conditions of actual use, a thermal design provided with an enough margin should be done.
- (13) About operations in a strong electric field
When used in a strong electric field, note that a malfunction may occur.
- (14) ASO
When using this IC, the output Tr. must be set not to exceed the values specified in the absolute

maximum ratings and ASO.

(15) Thermal shutdown circuit

This IC incorporates a thermal shutdown circuit (TSD circuit). When the chip temperature reaches the value shown below, the coil output to the motor will be set to open.

The thermal shutdown circuit is designed only to shut off the IC from a thermal runaway and not intended to protect or guarantee the entire IC functions.

Therefore, users cannot assume that the TSD circuit once activated can be used continuously in the subsequent operations.

| TSD ON Temperature [°C] (typ.) | Hysteresis Temperature [°C] (typ.) |
|--------------------------------|------------------------------------|
| 175 | 25 |

(16) About earth wiring patterns

When a small signal GND and a large current GND are provided, it is recommended that the large current GND pattern and the small signal GND pattern should be separated and grounded at a single point of the reference point of the set in order to prevent the voltage of the small signal GND from being affected by a voltage change caused by the resistance of the pattern wiring and the large current. Make sure that the GND wiring patterns of the external components will not change, too.

(17) This IC is a monolithic IC which has a P⁺ isolations and P substrate to isolate elements each other.

This P layer and an N layer in each element form a PN junction to construct various parasitic elements. Due to the IC structure, the parasitic elements are inevitably created by the potential relationship. Activation of the parasitic elements can cause interference between circuits and may result in a malfunction or, consequently, a fatal damage. Therefore, make sure that the IC must not be used under conditions that may activate the parasitic elements, for example, applying the lower voltage than the ground level (GND, P substrate) to the input terminals.

In addition, do not applying the voltage to input terminals without applying the power supply voltage to the IC. Also while applying the power supply voltage, the voltage of each input terminal must not be over the power supply voltage, or within the guaranteed values in the electric characteristics.

Notes

- No technical content pages of this document may be reproduced in any form or transmitted by any means without prior permission of ROHM CO.,LTD.
- The contents described herein are subject to change without notice. The specifications for the product described in this document are for reference only. Upon actual use, therefore, please request that specifications to be separately delivered.
- Application circuit diagrams and circuit constants contained herein are shown as examples of standard use and operation. Please pay careful attention to the peripheral conditions when designing circuits and deciding upon circuit constants in the set.
- Any data, including, but not limited to application circuit diagrams information, described herein are intended only as illustrations of such devices and not as the specifications for such devices. ROHM CO.,LTD. disclaims any warranty that any use of such devices shall be free from infringement of any third party's intellectual property rights or other proprietary rights, and further, assumes no liability of whatsoever nature in the event of any such infringement, or arising from or connected with or related to the use of such devices.
- Upon the sale of any such devices, other than for buyer's right to use such devices itself, resell or otherwise dispose of the same, no express or implied right or license to practice or commercially exploit any intellectual property rights or other proprietary rights owned or controlled by
- ROHM CO., LTD. is granted to any such buyer.
- Products listed in this document are no antiradiation design.

The products listed in this document are designed to be used with ordinary electronic equipment or devices (such as audio visual equipment, office-automation equipment, communications devices, electrical appliances and electronic toys).

Should you intend to use these products with equipment or devices which require an extremely high level of reliability and the malfunction of which would directly endanger human life (such as medical instruments, transportation equipment, aerospace machinery, nuclear-reactor controllers, fuel controllers and other safety devices), please be sure to consult with our sales representative in advance.

About Export Control Order in Japan

Products described herein are the objects of controlled goods in Annex 1 (Item 16) of Export Trade Control Order in Japan.

In case of export from Japan, please confirm if it applies to "objective" criteria or an "informed" (by MITI clause) on the basis of "catch all controls for Non-Proliferation of Weapons of Mass Destruction.

Thank you for your accessing to ROHM product informations.
More detail product informations and catalogs are available,
please contact your nearest sales office.

Please contact our sales offices for details ;

| | | |
|-------------------------|---------------------------|----------------------------|
| U.S.A / San Diego | TEL : +1(858)625-3630 | FAX : +1(858)625-3670 |
| Atlanta | TEL : +1(770)754-5972 | FAX : +1(770)754-0691 |
| Dallas | TEL : +1(972)312-8818 | FAX : +1(972)312-0330 |
| Germany / Dusseldorf | TEL : +49(2154)9210 | FAX : +49(2154)921400 |
| United Kingdom / London | TEL : +44(1)908-282-666 | FAX : +44(1)908-282-528 |
| France / Paris | TEL : +33(0)1 56 97 30 60 | FAX : +33(0) 1 56 97 30 80 |
| China / Hong Kong | TEL : +852(2)740-6262 | FAX : +852(2)375-8971 |
| Shanghai | TEL : +86(21)6279-2727 | FAX : +86(21)6247-2066 |
| Dilian | TEL : +86(411)8230-8549 | FAX : +86(411)8230-8537 |
| Beijing | TEL : +86(10)8525-2483 | FAX : +86(10)8525-2489 |
| Taiwan / Taipei | TEL : +866(2)2500-6956 | FAX : +866(2)2503-2869 |
| Korea / Seoul | TEL : +82(2)8182-700 | FAX : +82(2)8182-715 |
| Singapore | TEL : +65-6332-2322 | FAX : +65-6332-5662 |
| Malaysia / Kuala Lumpur | TEL : +60(3)7958-8355 | FAX : +60(3)7958-8377 |
| Philippines / Manila | TEL : +63(2)807-6872 | FAX : +63(2)809-1422 |
| Thailand / Bangkok | TEL : +66(2)254-4890 | FAX : +66(2)256-6334 |

Japan /
(Internal Sales)

| | | | |
|----------|--|-----------------------|-----------------------|
| Tokyo | 2-1-1, Yaesu, Chuo-ku, Tokyo 104-0082 | TEL : +81(3)5203-0321 | FAX : +81(3)5203-0300 |
| Yokohama | 2-4-8, Shin Yokohama, Kohoku-ku, Yokohama, Kanagawa 222-8575 | TEL : +81(45)476-2131 | FAX : +81(45)476-2128 |
| Nagoya | Dainagayo Building 9F 3-28-12, Meieki, Nakamura-ku, Nagoya, Aichi 450-0002 | TEL : +81(52)581-8521 | FAX : +81(52)561-2173 |
| Kyoto | 579-32 Higashi Shiokouji-cho, Karasuma Nishi-iru, Shiokoujidori, Shimogyo-ku, Kyoto 600-8216 | TEL : +81(75)311-2121 | FAX : +81(75)314-6559 |

(Contact address for overseas customers in Japan)

| | | |
|----------|-----------------------|------------------------|
| Yokohama | TEL : +81(45)476-9270 | FAX : +81(045)476-9271 |
|----------|-----------------------|------------------------|