

Switching Regulator ICs with Built in FET (5V)

BD9631GU

General Description

BD9631GU is a system switching regulator IC for DSC/DVC applications to generate plural voltage high efficiently from battery. Component for Power FET and phase compensation are embedded so it is suitable for compact type DSC/DVC application.

Features

- 7ch DC/DC converter, 1ch LDO embedded
 - CH1 Boost — Startup ch, Motor
 - CH2 LDO FET embedded Analog
 - CH3 Buck FET embedded Core
 - CH4 Buck-Boost FET embedded Digital
 - CH5 Buck FET embedded Memory
 - CH6 Boost — LED
 - CH7 Boost FET embedded CCD
 - CH8 Reverse — CCD
- Low voltage operation 2.5[V]
- CH1 supply voltage output for internal circuit
- CH1 PWM / PFM selectable
- CH3 High speed response by current control
- CH4 Boost-Buck auto switching
- CH6,CH7 integrated Boost output shutdown
 - CH7: Back Gate Control Function
 - CH6: Load Switch integrated
- Soft-start correspondence to each channel ch
 - CH3→CH4 Sequence Control integrated
 - CH7→CH8 2-types Sequence Control integrated
- Output Current Limiter (CH2,CH3), Short Circuit Protection Function(CH4 to CH8) integrated
- Error Amp Phase Compensation integrated
- Operating Frequency
1[MHz](CH1,CH3 to CH5), 500[KHz](CH6 to CH8)

Key Specifications

- VBAT Supply Voltage: 2.5V to 5.5V
- Oscillating Frequency 1: 1.0 MHz(Typ)
- Oscillating Frequency 2: 500kHz(Typ)
- ON-Resistance:

CH2	PMOS	1.2Ω(Typ)
CH3	PMOS	0.45Ω(Typ)
CH3	NMOS	0.30Ω(Typ)
CH4	PMOS DOWN,UP side	0.45Ω(Typ)
CH4	NMOS DOWN,UP side	0.30Ω(Typ)
CH5	PMOS,NMOS	0.35Ω(Typ)
CH6	Load Switch	0.40Ω(Typ)
CH7	PMOS	4.00Ω(Typ)
CH7	NMOS	0.70Ω(Typ)
- Operating Temperature Range -20°C to +85°C

Package

VCSP85H4

 W (Typ) x D (Typ) x H (Max)
 4.26mm x 4.26mm x 1.00mm

Pin Configuration

BOTTOM VIEW

H	H1	VOUT4	USW4	PGND4	PGND4	DSW4	VBAT4	H8
G	VBAT3	VOUT4	USW4	XSHDN1	XSHDN34	DSW4	VBAT4	VOUT7
F	SW3	FB4	XSHDN5	XSHDN2	CONT78	XSHDN78	XLVS	SW7
E	PGND3	FB3	VCC	CTL34	PWM/PFM	XSHDN6	FB7	PGND7
D	PGND1	RESERVE	PREV1	AGND1	AGND2	VREF	RT	PGND8
C	OUT1	VDCO		PREV6	FB1	RESERVE	FB8	OUT8
B	VOUT2	VBAT	FB2	OUT6	FB6.1	FB6	FB5	VBAT8
A	A1	VBAT6	LSO6	PGND6	PGND5	SW5	VBAT5	A8
	1	2	3	4	5	6	7	8

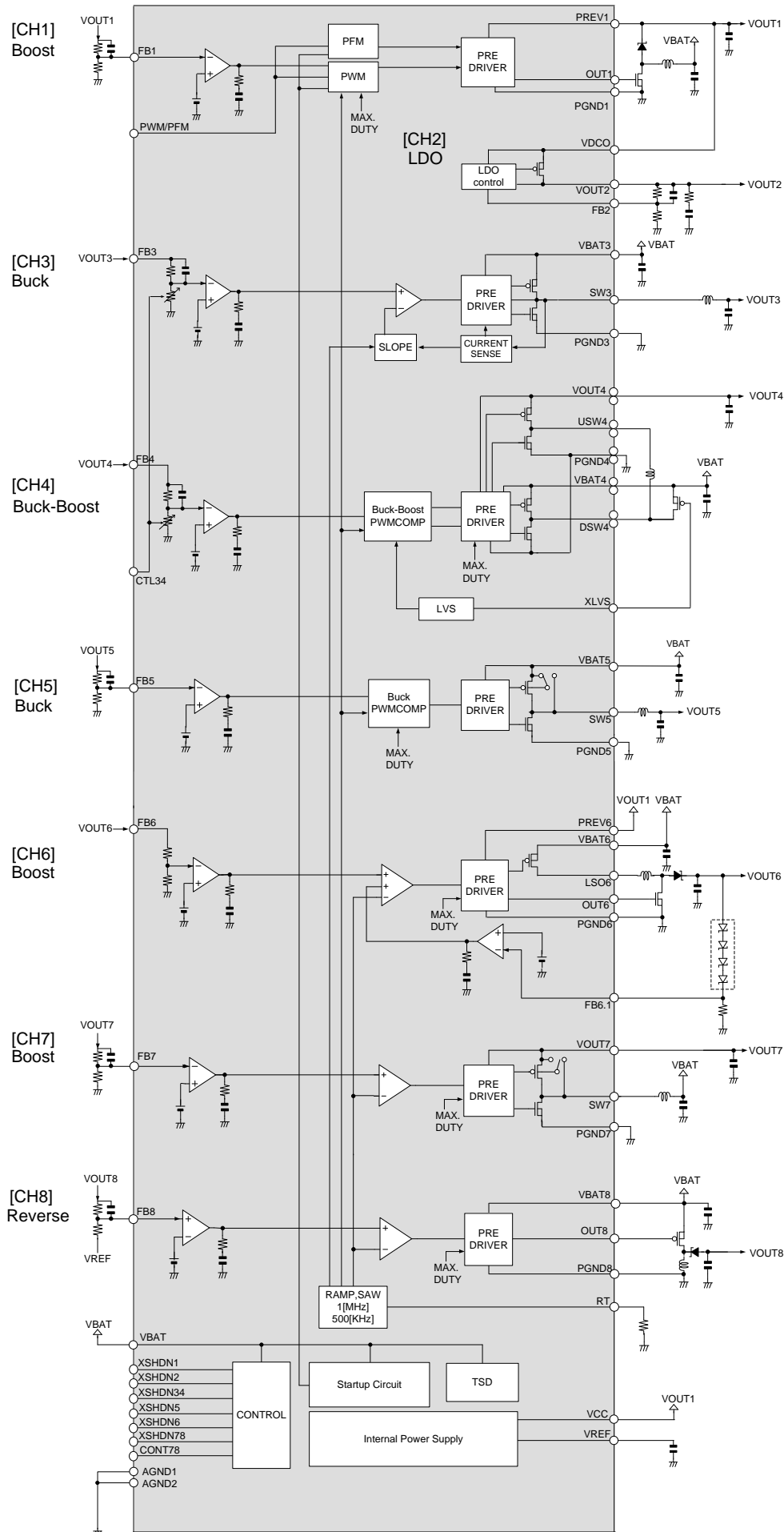
Pin Descriptions

Terminal No.	Name	Equivalent Circuit	
1-A	A1	TEST terminal	O·G
2-A	VBAT6	Load switch input terminal	V
3-A	LSO6	Load switch output terminal	O
4-A	PGND6	CH6 DRIVER GND terminal	G
5-A	PGND5	CH5 DRIVER GND terminal	G
6-A	SW5	CH5 switching terminal	O
7-A	VBAT5	CH5 DRIVER power supply terminal	V
8-A	A8	TEST terminal	O·G
1-B	VOUT2	CH2 output terminal	O
2-B	VBAT	Battery input terminal	V
3-B	FB2	CH2 feedback terminal	G
4-B	OUT6	CH6 gate connecting terminal	O
5-B	FB6.1	CH6 feedback terminal (Constant voltage side)	G
6-B	FB6	CH6 feedback terminal (Constant voltage side)	O·G
7-B	FB5	CH5 feedback terminal	G
8-B	VBAT8	CH8 DRIVER power supply terminal	V
1-C	OUT1	CH1 gate connecting terminal	O
2-C	VDCO	CH2LDO power supply terminal	V
3-C	—	—	-
4-C	PREV6	CH6 DRIVER power supply terminal	V
5-C	FB1	CH1 feedback terminal	G
6-C	RESERVE	Reserve terminal	O·G
7-C	FB8	CH8 feedback terminal	G
8-C	OUT8	CH8 gate connecting terminal	O
1-D	PGND1	CH1 DRIVER GND terminal	G
2-D	RESERVE	Reserve terminal	O·G
3-D	PREV1	CH1 DRIVER power supply terminal	V
4-D	AGND1	Analog GND terminal	G
5-D	AGND2	Analog GND terminal	G
6-D	VREF	Internal circuit power CH8 reference voltage	(Note 1)
7-D	RT	Triangle wave setting resistor terminal	(Note 2)
8-D	PGND8	CH8 DRIVER GND terminal	G

Terminal No.	Name	Equivalent Circuit	
1-E	PGND3	CH3 DRIVER GND terminal	G
2-E	FB3	CH3 feedback terminal	O·G
3-E	VCC	Analog power supply terminal	V
4-E	CTL34	CH3,CH4 output voltage switching terminal	O·G
5-E	PWM/PFM	CH1 PWM/PFM select terminal	O·G
6-E	XSHDN6	CH6 shutdown terminal	O·G
7-E	FB7	CH7 feedback terminal	G
8-E	PGND7	CH7 DRIVER GND terminal	G
1-F	SW3	CH3 switching terminal	O
2-F	FB4	CH4 feedback terminal	O·G
3-F	XSHDN5	CH5 shutdown terminal	O·G
4-F	XSHDN2	CH2 shutdown terminal	O·G
5-F	CONT78	CH7,CH8 sequence control terminal	G
6-F	XSHDN78	CH7,CH8 shutdown terminal	O·G
7-F	XLVS	CH4 gate connecting terminal	O
8-F	SW7	CH7 switching terminal	O
1-G	VBAT3	CH3 DRIVER power supply terminal	V
2-G	VOUT4	CH4 output terminal	O
3-G	USW4	CH4 Boost side switching terminal	O
4-G	XSHDN1	CH1 shutdown terminal	G
5-G	XSHDN34	CH3,CH4 shutdown terminal	O·G
6-G	DSW4	CH4 Buck side switching terminal	O
7-G	VBAT4	CH4 DRIVER power supply terminal	V
8-G	VOUT7	CH7 output terminal	O
1-H	H1	TEST terminal	O·G
2-H	VOUT4	CH4 output terminal	O
3-H	USW4	CH4 Boost side switching terminal	O
4-H	PGND4	CH4 DRIVER GND terminal	G
5-H	PGND4	CH4 DRIVER GND terminal	G
6-H	DSW4	CH4 Buck side switching terminal	O
7-H	VBAT4	CH4 DRIVER power supply terminal	V
8-H	H8	TEST terminal	O·G

The letter on the right side of each pin explanation indicates the reaction if the terminal are not used.
 O · · · OPEN G · · · GND O·G · · · OPEN or GND V · · · Power supply (VBAT)
 (Note 1) · · · 1.0[μF] Pull_down (Note 2) · · · 100[KΩ] Pull_down

Block Diagram



Absolute Maximum Ratings (Ta=25°C)

Parameter	Symbol	Rating	Unit
Supply Voltage	V _{VBAT} V _{VBAT3,4,5,6,8}	-0.3 to +7	V
VOUT7 Permissible Voltage	V _{VOUT7}	-0.3 to +15	V
SW7 Permissible Voltage	V _{SW7}	-0.3 to +15	V
VOUT2 Permissible Current Output	I _{VOUT2}	0.3	A
SW3 Permissible Current Output	I _{SW3}	0.5	A
VOUT4 Permissible Current Output	I _{VOUT4}	1.0	A
SW5 Permissible Current Output	I _{SW5}	0.5	A
LSO6 Permissible Current Output	I _{LSO6}	0.5	A
SW7 Permissible Current Output	I _{SW7}	0.5	A
Power Dissipation	P _d	1.4 (Note 1)	W
Operating Temperature Range	T _{opt}	-20 to +85	°C
Storage Temperature Range	T _{stg}	-55 to +150	°C
Junction Temperature	T _{jmax}	+150	°C

(Note 1) Implemented on Glass epoxy board (ROHM standard board :50 x 58 x 1.75[mm³] 8 layers)

Caution: Operating the IC over the absolute maximum ratings may damage the IC. The damage can either be a short circuit between pins or an open circuit between pins and the internal circuitry. Therefore, it is important to consider circuit protection measures, such as adding a fuse, in case the IC is operated over the absolute maximum ratings.

Recommended Operating Conditions

Parameter	Symbol	Limit			Unit	Conditions
		MIN	TYP	MAX		
VBAT Supply Voltage	V _{VBAT}	2.5	3.7	5.5	V	
	V _{VBAT3}	2.5	3.7	5.5	V	
	V _{VBAT4}	2.5	3.7	5.5	V	
	V _{VBAT5}	2.5	3.7	5.5	V	
	V _{VBAT6}	2.5	3.7	5.5	V	
	V _{VBAT8}	2.5	3.7	5.5	V	

Electrical Characteristics

(Unless otherwise specified, $V_{VBAT}=V_{VBAT3,4,5,6,8}=3.7[V]$, V_{OUT1} input terminal =4.2[V], $T_a=25[^\circ C]$)

Parameter	Symbol	Limit			Unit	Conditions
		MIN	TYP	MAX		
Current Consumption (PFM)	I_{CC1}	-	90	180	μA	<ul style="list-style-type: none"> XSHDN1=H, PWM/PFM=L, Other setting terminal=L Without load on each channel sum of VBAT terminal, and VOUT1 terminal
Current Consumption (PWM)	I_{CC2}	1.00	1.50	2.25	mA	<ul style="list-style-type: none"> XSHDN1=H, PWM/PFM=H, Other setting terminal =L Without load on each channel sum of VBAT terminal, and VOUT1 terminal
Shutdown Current Consumption	I_{CC3}	-	0	10	μA	<ul style="list-style-type: none"> All setting terminal =L Without load on each channel sum of VBAT terminal, and VOUT1 terminal
H Input Voltage1	V_{IH1}	V_{VBAT} -0.3	-	-	V	XSHDN1
L Input Voltage1	V_{IL1}	-	-	GND +0.3	V	
H Input Voltage2	V_{IH2}	V_{VREF} -0.3	-	V_{VREF} +0.3	V	CTL34
L Input Voltage2	V_{IL2}	-	-	GND +0.3	V	
H Input Voltage3	V_{IH3}	2.5	-	-	V	Setting terminal except for XSHDN1,CTL34
L Input Voltage3	V_{IL3}	-	-	GND +0.3	V	
H Input Current1	I_{IH1}	4.63	9.25	18.5	μA	Input Voltage=3.7[V] XSHDN2,XSHDN34,XSHDN5,XSHDN6, XSHDN78,PWM/PFM
H Input Current2	I_{IH2}	12.5	25	50	μA	Input Voltage= V_{REF} CTL34
L Input Current2	I_{IL2}	12.5	25	50	μA	Input Voltage=0[V] CTL34
Oscillating Frequency 1	f_{OSC1}	0.8	1.0	1.2	MHz	$R_{RT}=100[k\Omega]$
Oscillating Frequency 2	f_{OSC2}	400	500	600	KHz	$R_{RT}=100[k\Omega]$
Reduced-voltage Detection Voltage	V_{UVLO1}	1.60	1.80	2.00	V	
Reduced-voltage Return Voltage	V_{UVLO2}	1.80	2.00	2.20	V	
【Internal Power Supply, CH8 Reference Voltage】						
Output Voltage	V_{VREF}	2.44	2.50	2.56	V	Load Current 10[mA]
Output Current	I_{VREF}	-	-	10	mA	
【CH1】						
Error Amp Reference Voltage	V_{REF1}	0.39	0.40	0.41	V	PWM/PFM=H
Soft-start Period 85%	t_{SS1}	0.44	1.08	1.72	ms	Soft-start period 100% 1.27[ms](TYP) PWM/PFM=L
Maximum Duty	D_{MAX1}	76.5	85.0	93.5	%	PWM/PFM=H

Electrical Characteristics –continued

(Unless otherwise specified, $V_{VBAT}=V_{VBAT3,4,5,6,8}=3.7[V]$, V_{OUT1} Input terminal= $4.2[V]$, $T_a=25[^\circ C]$)

Parameter	Symbol	Limit			Unit	Conditions
		MIN	TYP	MAX		
【CH2】						
Reference Voltage	V_{REF2}	0.29	0.30	0.31	V	
Startup period 85%	t_{SS2}	0.51	1.28	2.05	ms	Startup Period 100% 1.5[ms] (TYP)
PMOS ON-Resistance	R_{ONP2}	-	1.20	1.95	Ω	Power Supply 3.7[V]
【CH3】						
Error Amp Reference Voltage	V_{REF3}	0.39	0.40	0.41	V	
Soft-start Period 85%	t_{SS3}	0.425	0.85	1.70	ms	Soft-start Period 100% 1.0[ms] (TYP)
PMOS ON-Resistance	R_{ONP3}	-	0.45	0.70	Ω	Power Supply 3.7[V]
NMOS ON-Resistance	R_{ONN3}	-	0.30	0.55	Ω	Power Supply 3.7[V]
【CH4】						
Error Amp Reference Voltage	V_{REF4}	0.39	0.40	0.41	V	
Soft-start Period 85%	t_{SS4}	1.07	2.13	4.26	ms	Soft-start Period 100% 2.5[ms] (TYP)
PMOS ON-Resistance DOWN side	R_{ONPD4}	-	0.45	0.70	Ω	Power Supply 3.7[V]
NMOS ON-Resistance DOWN side	R_{ONND4}	-	0.30	0.55	Ω	Power Supply 3.7[V]
PMOS ON-Resistance UP side	R_{ONPU4}	-	0.45	0.70	Ω	Power Supply 3.7[V]
NMOS ON-Resistance UP side	R_{ONNU4}	-	0.30	0.55	Ω	Power Supply 3.7[V]
Maximum Duty	D_{MAX4}	65	80	95	%	
【CH5】						
Error Amp Reference Voltage	V_{REF5}	0.39	0.40	0.41	V	
Soft-start Period 85%	t_{SS5}	1.75	3.5	7.0	ms	Soft-start Period 100% 4.12[ms] (TYP)
PMOS ON-Resistance	R_{ONP5}	-	0.35	0.60	Ω	Power Supply 3.7[V]
NMOS ON-Resistance	R_{ONN5}	-	0.35	0.60	Ω	Power Supply 3.7[V]
Maximum Duty	D_{MAX5}	76.5	-	-	%	
【CH6】						
Error Amp Reference Voltage 1	V_{REF6}	0.386	0.40	0.414	V	Constant voltage control side
Error Amp Reference Voltage 2	$V_{REF6.1}$	0.386	0.40	0.414	V	Constant current control side
Soft-start Period 85%	t_{SS6}	2.55	5.10	10.2	ms	Soft-start Period 100% 6.0[ms](TYP)
Load Switch ON-Resistance	R_{ONP6}	-	0.40	0.65	Ω	Power Supply 3.7[V]
Maximum Duty	D_{MAX6}	87	-	-	%	
【CH7】						
Error Amp Reference Voltage	V_{REF7}	0.983	1.00	1.017	V	
Soft-start Period 85%	t_{SS7}	2.55	5.10	10.2	ms	Soft-start Period 100% 6.0[ms](TYP)
PMOS ON-Resistance	R_{ONP7}	-	4.00	6.40	Ω	Power Supply 3.7[V]
NMOS ON-Resistance	R_{ONN7}	-	0.70	1.12	Ω	Power Supply 3.7[V]
Maximum Duty	D_{MAX7}	87	-	-	%	
【CH8】						
Error Amp Reference Voltage	V_{REF8}	0.978	1.00	1.022	V	Refer to P.16 for Output Voltage accuracy
Soft-start Period 85%	t_{SS8}	2.55	5.10	10.2	ms	Soft-start Period 100% 6.0[ms](TYP)
Maximum Duty	D_{MAX8}	87	-	-	%	

Function Description

[Features Summary]

CH	Function	Output voltage (TYP)	Power output	Setting res.	USE
CH1	Boost converter	4.2[V] to 5.5[V]	External	External	Start-up ch, Motor
CH2	LDO	I/O voltage differential over 0.2[V]	Embedded	External	Analog
CH3	Buck converter	1.05[V]/1.26[V]/1.8[V]	Embedded	Embedded	Core
CH4	H-BRIDGE converter	3.25[V]/3.3[V]	Embedded	Embedded	Digital
CH5	Buck converter	1.8[V]	Embedded	External	Memory
CH6	Boost	6[V] to 16[V]	External	External	LED
CH7	Boost	12[V] to 13[V]	Embedded	External	CCD
CH8	Reverse	-7.5[V] to -6[V]	External	External	CCD

[CONTROL]

- Stand-by function related terminals

Following table shows start-up condition of each block.

XSHDN 1	PWM /PFM	XSHDN 2	XSHDN 34	XSHDN 5	XSHDN 6	XSHDN 78	CH1	Internal supply	RAM P SAW	CH2	CH3 CH4	CH5	CH6	CH7 CH8			
L	-	-	-	-	-	-	OFF	OFF	OFF	OFF	OFF	OFF	OFF	OFF			
H	L	-	-	-	-	-	ON	OFF	OFF	OFF	OFF	OFF	OFF	OFF			
		H	L	L	L	L				L	L	L	L	L	L	L	
	H	L	L	L	L	L				L	ON	ON	OFF	OFF	OFF	OFF	OFF
		H	L	L	L	L				L	ON	ON	ON	OFF	OFF	OFF	OFF
		L	H	L	L	L				L	OFF	ON	OFF	ON	OFF	OFF	OFF
		L	L	H	L	L				L	OFF	OFF	ON	OFF	ON	OFF	OFF
		L	L	L	H	L				L	OFF	OFF	OFF	ON	OFF	ON	OFF
L	L	L	L	L	H	OFF	OFF	OFF	OFF	OFF	OFF	ON					

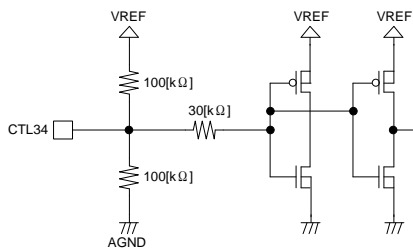
(Note) PWM/PFM logic refer to the table below.

(Note) -symbol mean without conditions.

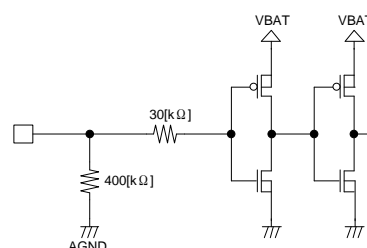
- Other setting terminals

Terminal	Function	
PWM/PFM	H : PWM operation	L : PFM operation
CTL34	H	VOUT3 1.80[V] VOUT4 3.30[V]
	Open	1.26[V] 3.25[V]
	L	1.05[V] 3.25[V]
	(Note) High level of CTL34 is VREF voltage	
CONT78	H : CH7, CH8 startup synchronous	L : CH7→CH8 startup
	(Note) Logic after some [us] from rising edge of XSHDN78	

- CTL34 terminal equivalent circuit



- XSHDN2 to XSHDN78, PWM/PFM terminal equivalent circuit



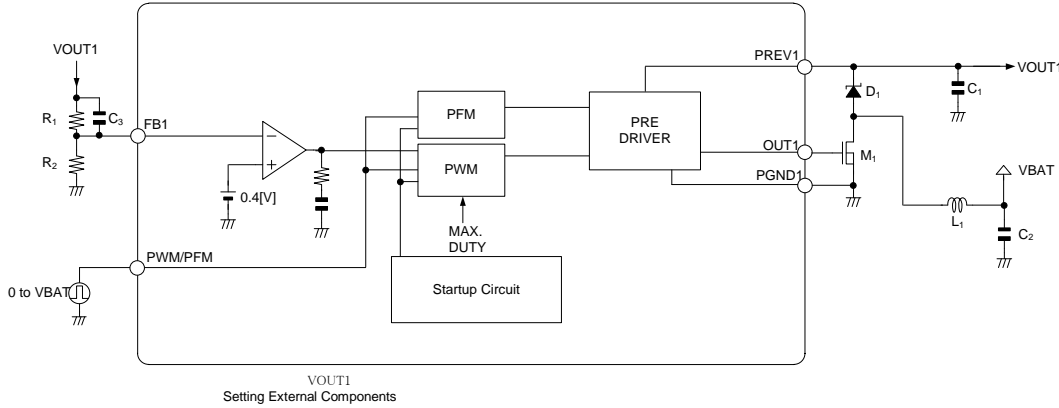
[CH1]

• Function

Selectable PWM/PFM boost DC/DC converter.

Output voltage is ranges from 4.2[V] to 5.5[V] (TYP).

Low voltage operation starts up from 2.5[V] and also provides supply voltage to VREF circuit.



VOUT1
Setting External Components

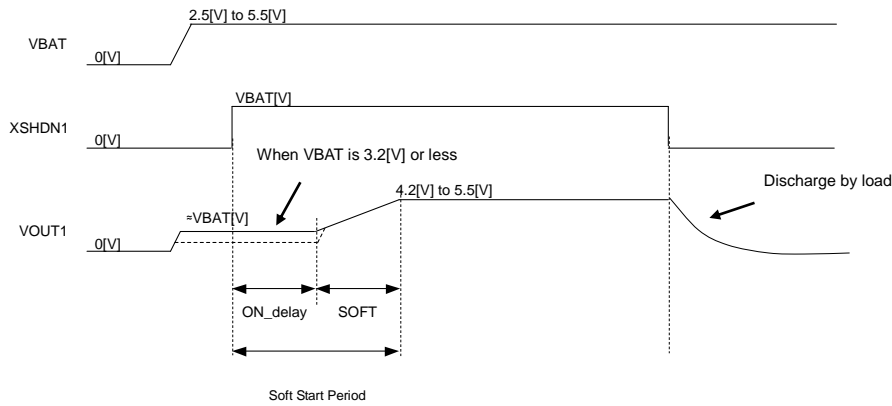
• Recommended External Components

Parts Name	Value	Maker	Part Number
C ₁	22[μF] x 2	Taiyo Yuden	JMK212BJ226MG
C ₂	10[μF]	Taiyo Yuden	JMK212BJ106KG
C ₃	560[pF]	Taiyo Yuden	UMK105BJ561KV
L ₁	1.0[μH]	TOKO	A997AS-1R0N
M ₁	-	TOSHIBA	SSM3K122TU
D ₁	-	ROHM	RB060M-30
R ₁	Refer to the right table	-	-
R ₂	Refer to the right table	-	-

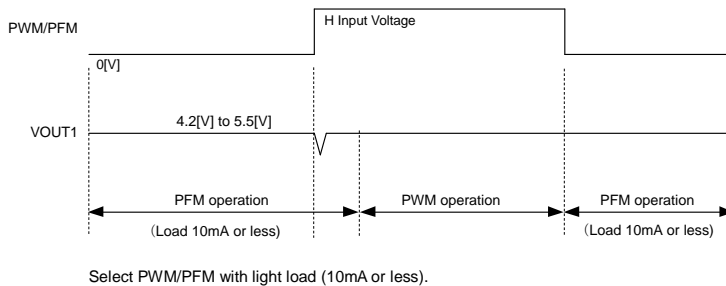
	4.2[V]	5.0[V]
R ₁	510[KΩ]+22[KΩ]	620[KΩ]+24[KΩ]
R ₂	56[KΩ]	56[KΩ]

$$VOUT1 = \frac{R_1 + R_2}{R_2} \times 0.4[V]$$

• Start-up Sequence



• PWM/PFM



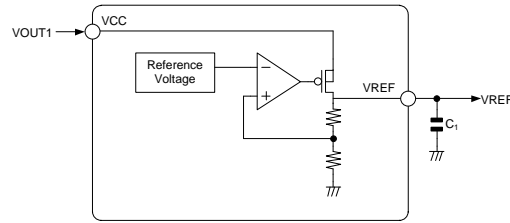
【Internal Supply Voltage】

• Function

LDO input voltage is supplied by VOUT1.

Output voltage is 2.5[V] (TYP) .

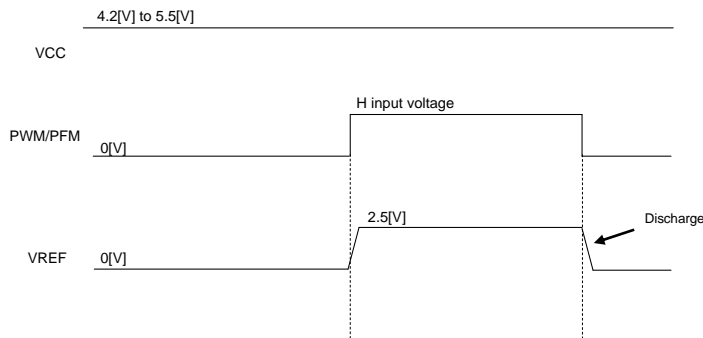
VREF voltage is used to power up internal circuit and reverse reference of CH8.



• Recommended External

Parts name	Value	Maker	Part number
C ₁	1.0[μF]	Taiyo Yuden	JMK105BJ105KV

• Start-up Sequence

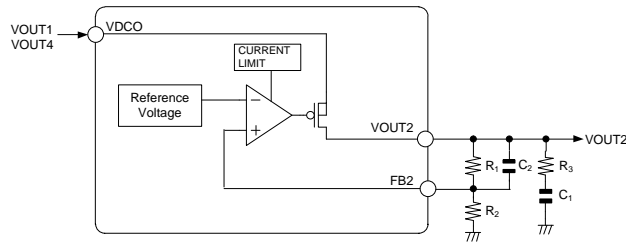


[CH2]

• Function

LDO for minimum I/O voltage differential is 0.2[V] or more.

Output voltage ranges : if input voltage is VOUT1, from 3.3[V] to 3.5[V] (TYP) , VOUT4, 1.8[V] (TYP) .



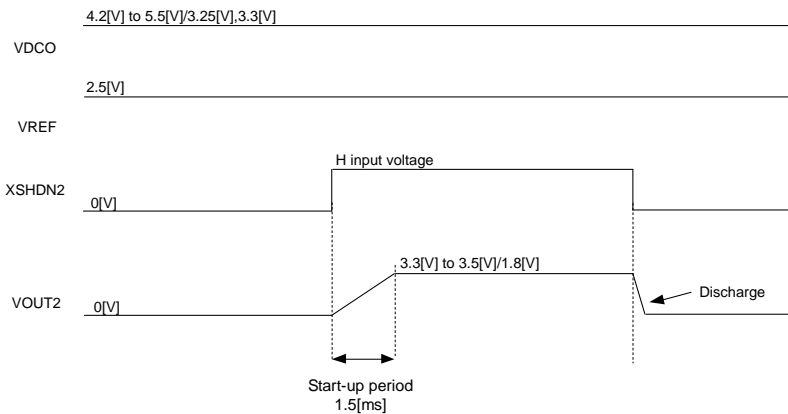
• Recommended External

Parts name	Value	Maker	Part number
R ₁	Refer to the right	—	—
R ₂	Refer to the right	—	—
R ₃	200[mΩ]	—	—
C ₁	2.2[μF]	Taiyo Yuden	JMK107BJ225KA
C ₂	10[pF]	Taiyo Yuden	TMK063CH100FP

VOUT2	3.3[V]	1.8[V]
R ₁	300[KΩ]	150[KΩ]
R ₂	30[KΩ]	30[KΩ]

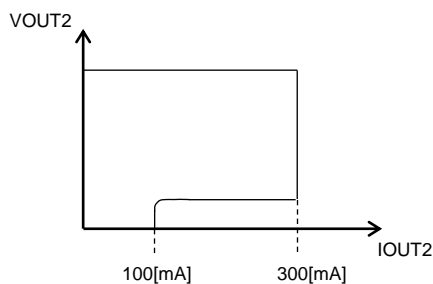
$$VOUT2 = \frac{R_1 + R_2}{R_2} \times 0.3[V]$$

• Start-up Sequence



• Over Current Protection

Characteristics of output voltage and output current is shown below.

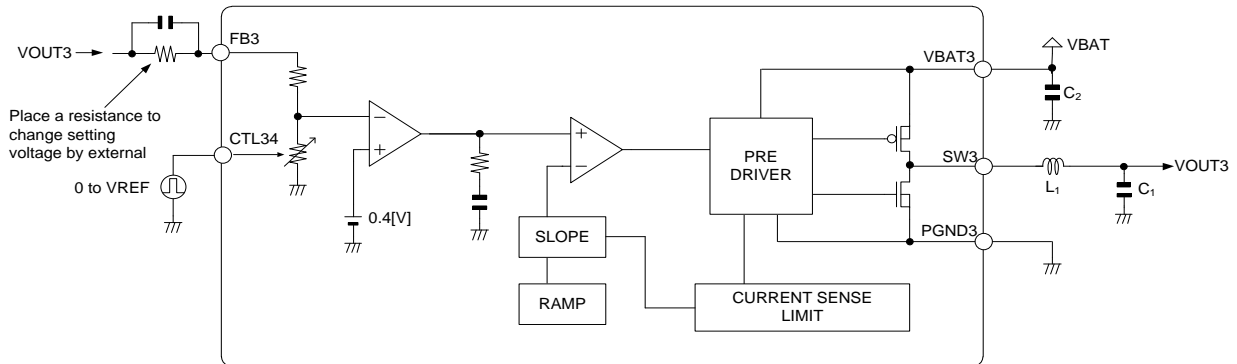


[CH3]

• Function

Synchronous rectification type current control buck DC/DC converter with built in power MOS output stage.

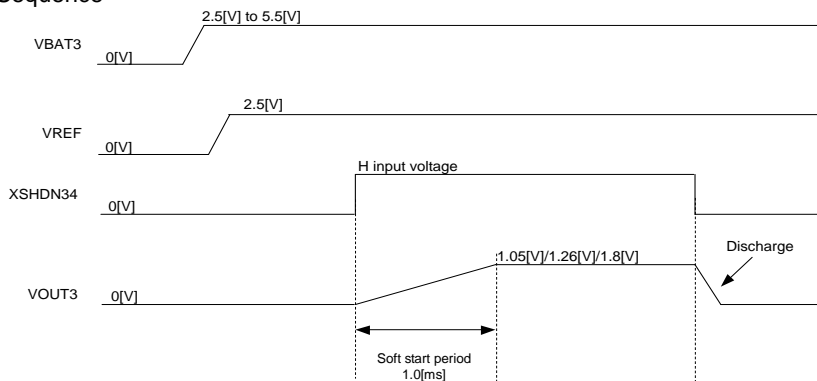
Output voltage is selectable: 1.05[V]/1.26[V]/1.8[V] (TYP) .



• Recommended External

Parts name	Value	Maker	Part number
C ₁	10[μF]	Taiyo Yuden	JMK212BJ106KG
C ₂	10[μF]	Taiyo Yuden	JMK212BJ106KG
L ₁	10[μH]	sumida	CDRH2D14NP-100NC

• Start-up Sequence



• Over Current Protection

Monitor in-rush current to PMOS of PowerMOS and if over current (about 0.8[A] (TYP)) is detected, it stops switching for about 2.0[μs] (TYP). Timer latch circuit will latch PMOS to OFF status if such condition remained for 1.0[ms]. Latch will be released either setting XSHDN1=GND, PWM/PFM=GND or restarting the device.

• Setting Voltage

It is possible to return in a set voltage by adding external resistance between VOUT3 and FB3.

CTL34=L

$$VOUT3 = 1.050[V] + (0.01452 \times \text{external}R[k\Omega] \times 0.4)[V]$$

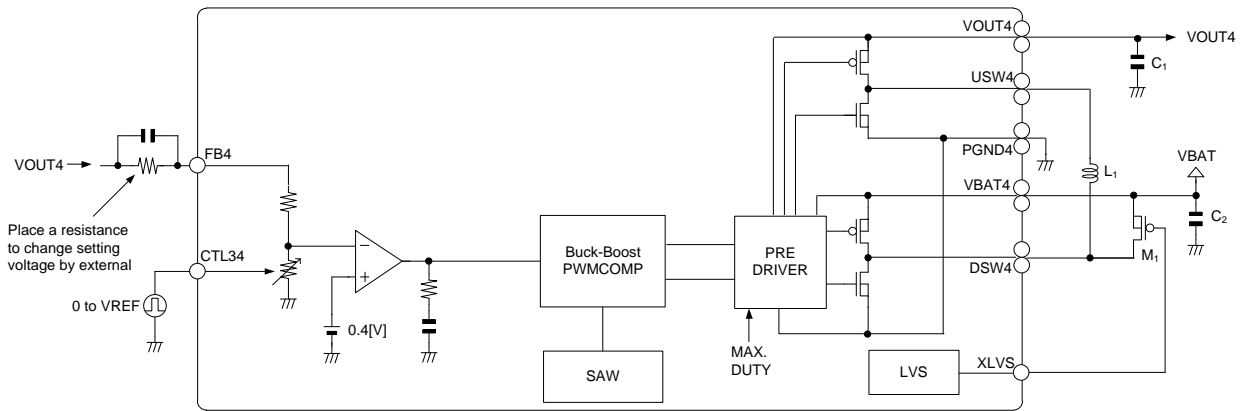
CTL34=OPEN

$$VOUT3 = 1.259[V] + (0.01821 \times \text{external}R[k\Omega] \times 0.4)[V]$$

[CH4]

• Function

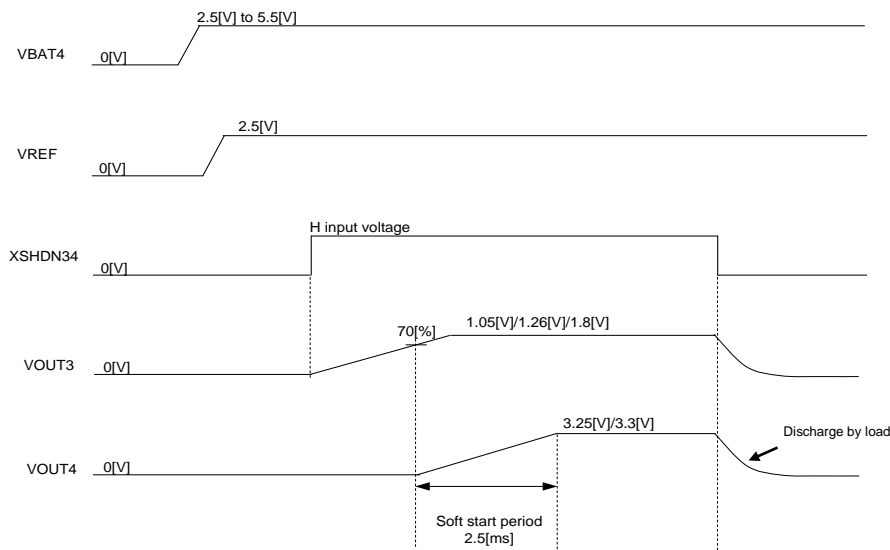
Synchronous rectification cross converter with built-in power MOS output stage.
 Output voltage is selectable: 3.25[V]/3.3[V] (TYP) .
 In under voltage (2.85[V] (TYP)), boost operation after external PMOS turns ON.
 External PMOS turns OFF in soft start period.



• Recommended External

Parts name	Value	Maker	Part number
C ₁	22[μF]	Taiyo Yuden	JMK212BJ226MG
C ₂	10[μF]	Taiyo Yuden	JMK212BJ106KG
L ₁	4.7[μH]	sumida	CDRH2D14NP-4R7NC
M ₁	-	TOSHIBA	SSM6J53FE

• Start-up Sequence



• Setting voltage

It is possible to return in a set voltage by adding external resistance between VOUT4 and FB4.

CTL34=L, OPEN

$$VOUT4 = \frac{330.7[k\Omega] + \text{External}R[k\Omega]}{40.7[k\Omega]} \times 0.4[V]$$

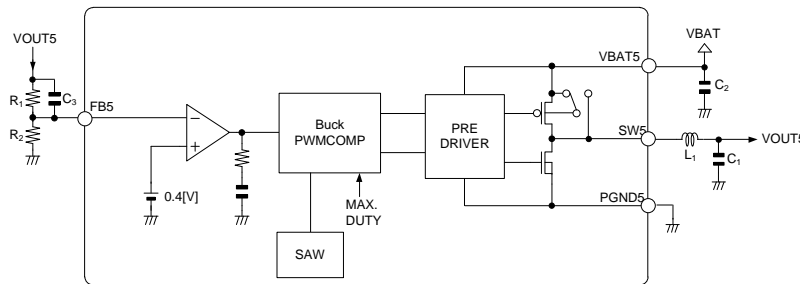
CTL34=H

$$VOUT4 = \frac{330[k\Omega] + \text{External}R[k\Omega]}{40[k\Omega]} \times 0.4[V]$$

[CH5]

• Function

Synchronous rectification buck DC/DC converter with built in power MOS output stage.
Output voltage range is 1.80[V] (TYP).

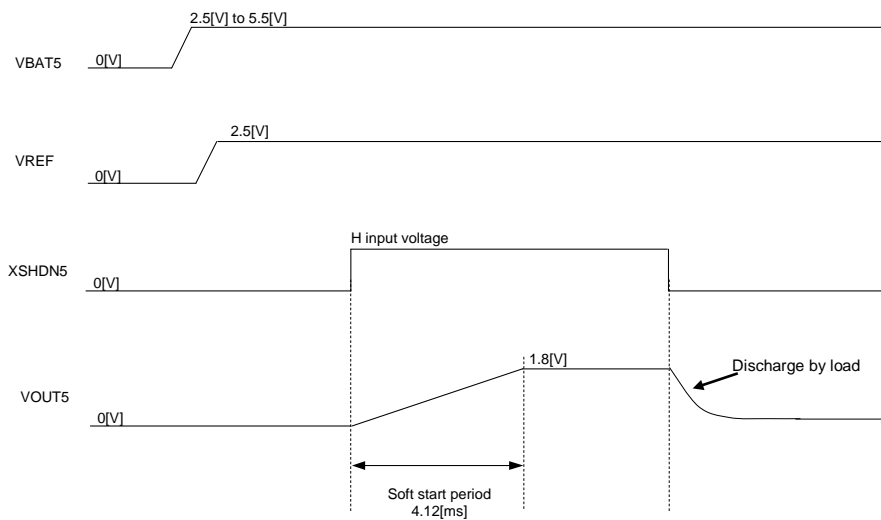


• Recommended External

Parts name	Value	Maker	Part number
C ₁	2.2[μF]	Taiyo Yuden	JMK107BJ225KA
C ₂	10[μF]	Taiyo Yuden	JMK212BJ106KG
C ₃	47[pF]	Taiyo Yuden	TMK063CH470JP
L ₁	10[μH]	sumida	CDRH2D14NP-100NC
R ₁	180[KΩ]		-
R ₂	51[KΩ]		-

$$V_{OUT5} = \frac{R_1 + R_2}{R_2} \times 0.4[V]$$

• Start-up Sequence



[CH6]

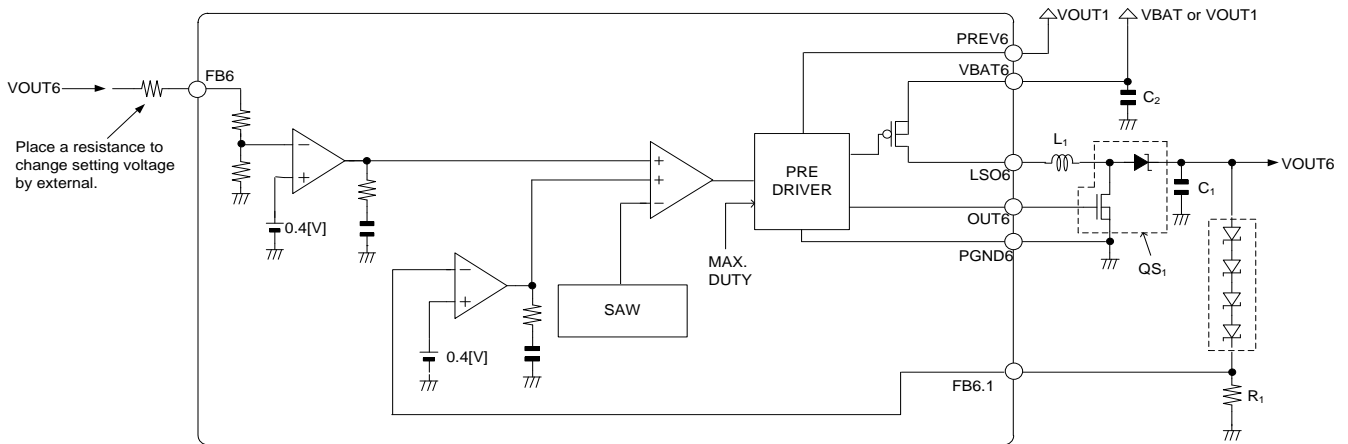
• Function

Boost DC/DC converter with built-in load switch.

This channel enables constant voltage operation and constant current operation for protection.

The constant voltage is available with output of 6[V] to 16[V] (TYP).

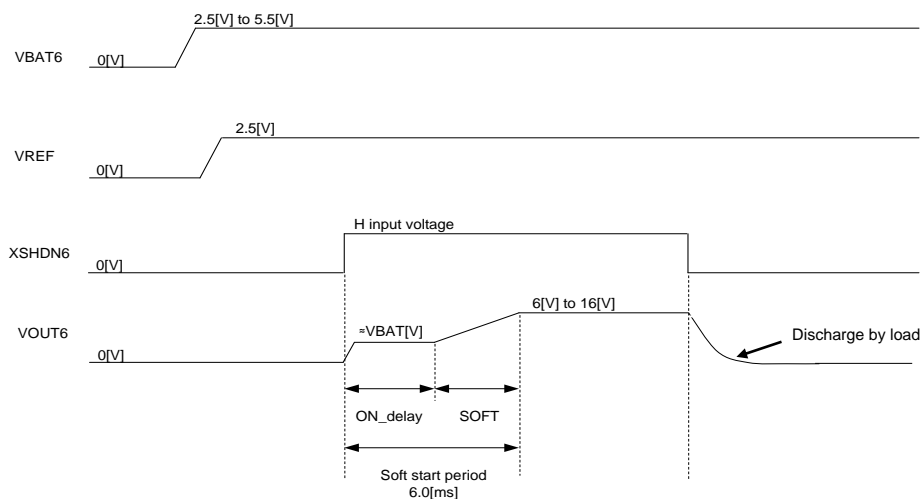
The load switch turns OFF when XSHDN6 goes LOW (CH6 shutdown) and the timer latch.



• Recommended External

Parts name	Value	Maker	Part number
C ₁	10[μF]	Taiyo Yuden	EMK212BJ106KG
C ₂	10[μF]	Taiyo Yuden	JMK212BJ106KG
L ₁	10[μH]	sumida	CDRH2D14NP-100NC
R ₁	20[Ω]	-	-
QS ₁	-	ROHM	QS5U17

• Start-up Sequence



• Set Voltage when Fixed Voltage is Driven

When a fixed voltage is driven by internal resistance, it is set to 16V.

It is possible to return in a set voltage by adding external resistance between VOUT6 and FB6.

However, note the resisting pressure of the capacitance of C₁ when stepping up the voltage applying external resistance.

$$VOUT6 = \frac{\text{External}R + 400[k\Omega]}{10[k\Omega]} \times 0.4[V]$$

[CH7]

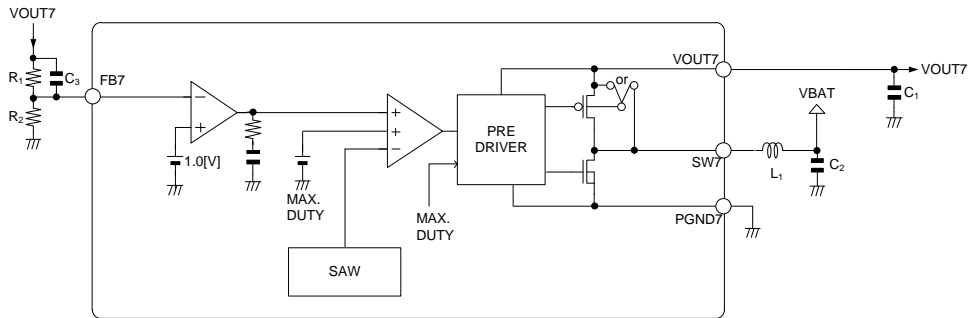
• Function

Synchronous rectification Boost DC/DC converter with integrated output stage power MOS.

Output voltage ranges from 12.0[V] to 13.0[V] (TYP).

Output can shut by back gate control function.

Back gate control function is a function to shut the output by placing back gate of PMOS to SW7 side when in XSHDN78=L (CH7 shut down) time and a timer latch.



• Recommended External

Parts name	Value	Maker	Part number
C ₁	10[μF]	Taiyo Yuden	EMK212BJ106KG
C ₂	10[μF]	Taiyo Yuden	JMK212BJ106KG
C ₃	68[pF]	Taiyo Yuden	TMK212CH680JP
L ₁	22[μH]	Sumida	CDRH2D14B/LDNP-220M
R ₁	Refer to the right table		-
R ₂	Refer to the right table		-

VOUT7 Setting External	12[V]	13[V]
R ₁	220[KΩ]	240[KΩ]
R ₂	20[KΩ]	20[KΩ]

$$VOUT7 = \frac{R_1 + R_2}{R_2} \times 1.0[V]$$

• Start-up Sequence

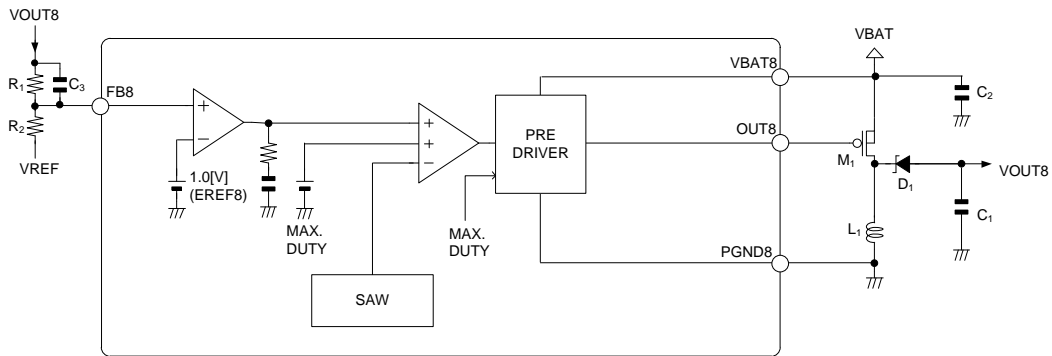
Refer to [CH8] Start-up sequence in Page 16.

[CH8]

• Function

Reverse DC/DC Converter.

Output voltage ranges from -7.5[V] to -6.0[V] (TYP).



• Recommended External

Parts name	Value	Maker	Part number
C ₁	10[μF] x 2	Taiyo Yuden	LMK212BJ106KG
C ₂	10[μF]	Taiyo Yuden	JMK212BJ106KG
C ₃	68[pF]	Taiyo Yuden	TMK063CH680JP
L ₁	4.7[μH]	sumida	CDRH2D14P-4R7NC
M ₁	-	TOSHIBA	SSM6J53FE
D ₁	-	ROHM	RB060M-30
R ₁	Refer to the right table	-	-
R ₂	Refer to the right table	-	-

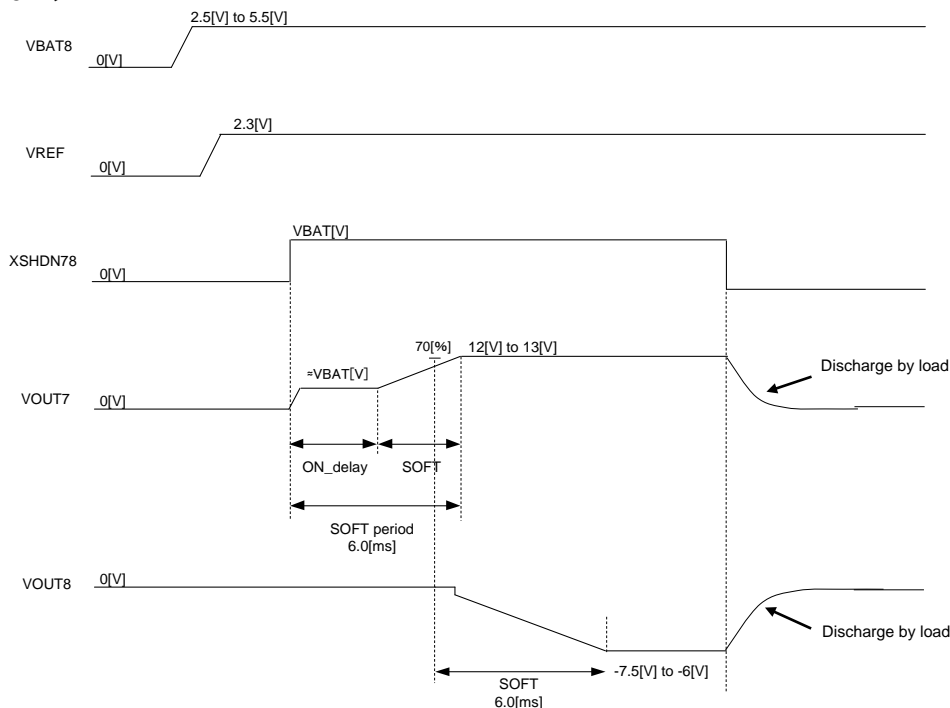
VOUT8 Setting External	-7.5[V]	-6[V]
R ₁	680[KΩ]	560[KΩ]
R ₂	120[KΩ]	120[KΩ]

$$VOUT8 = -\frac{R_1}{R_2} VREF + \frac{R_1 + R_2}{R_2} EREF8$$

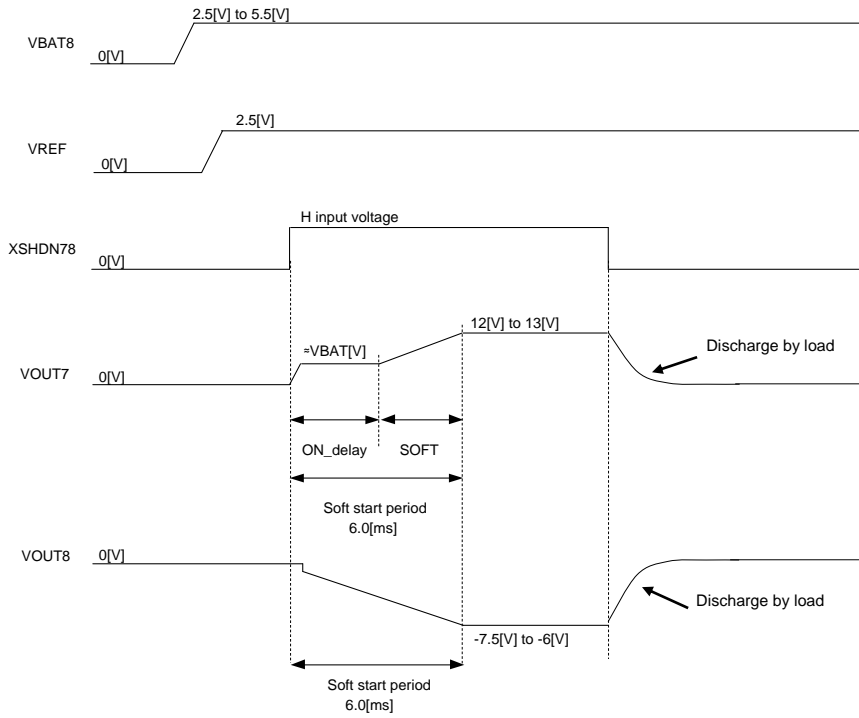
Output voltage accuracy is calculated by the above formula.

• Start-up Sequence

<CONT78=L>

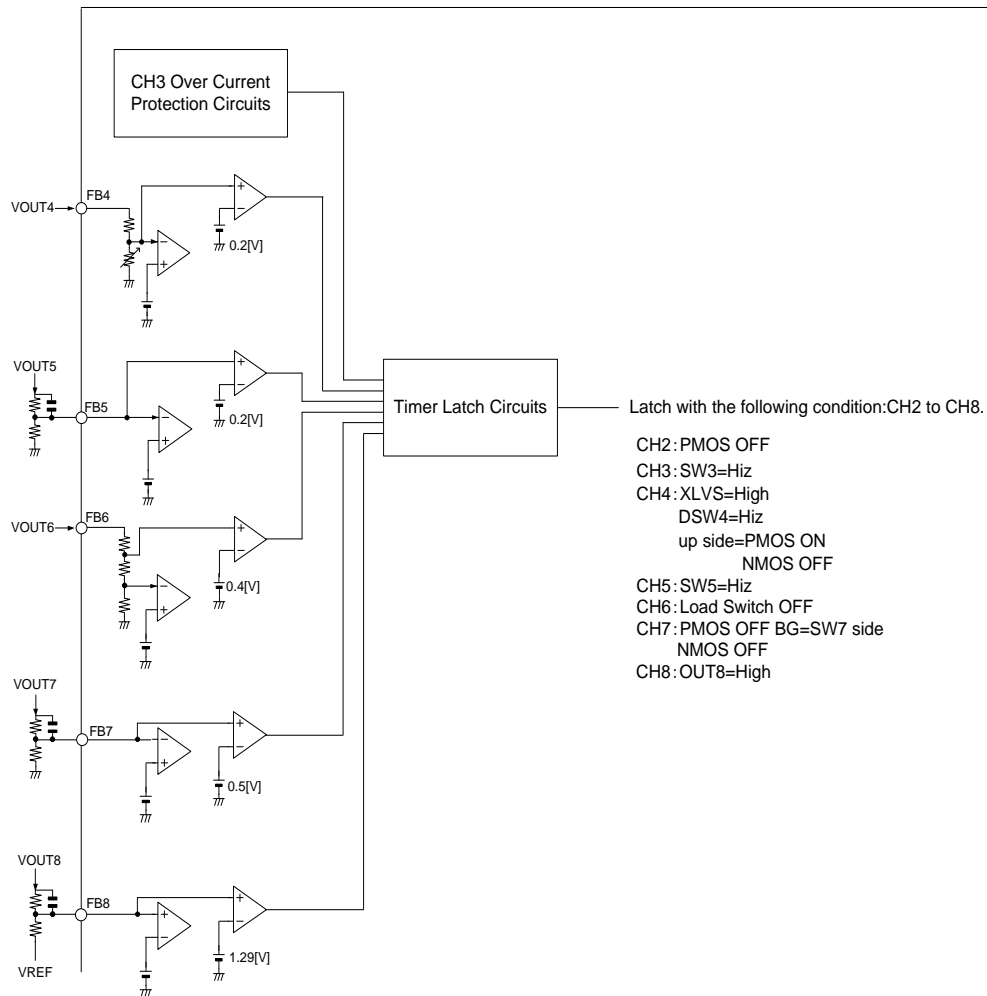


<CONT78=H>



【Short Protection Function】

- CH4 to CH8 are monitoring error amp input voltage fed backed from output and enable timer circuit with falling below the detection voltage of short protection circuit. Timer latch circuit will latch power MOS to OFF status of CH2 to CH8 if such condition remained for 1.0[ms].
- CH3 will be latched by over current protection.
- All channel except CH1 will be latched with any other channels to be over-current and/or shorted.
- Latch will be released either setting XSHDN1=GND, PWM/PFM=GND or restarting the device.
- Short detection comparator will be disabled by soft start.
- The timer latch circuit doesn't operate in PFM mode.



【Thermal shutdown function】

Thermal shutdown function is built in to prevent IC from heat distraction. Thermal circuit will be disabled by PFM.

I/O Equivalent Circuits

Terminal No.	Terminal Name	Equivalent Circuit
4-G	XSHDN1	
5-E	PWM/PFM	
4-F	XSHDN2	
5-G	XSHDN34	
4-E	CTL34	
3-F	XSHDN5	
6-C	RESERVE	
6-E	XSHDN6	
6-F	XSHDN78	
5-F	CONT78	
2-E	FB3	
2-F	FB4	
2-C	VDCO	
1-B	VOUT2	
3-E	VCC	
6-D	VREF	

Terminal No.	Terminal Name	Equivalent Circuit	
3-D	PREV1		
2-D	RESERVE		
1-C	OUT1		
1-F	SW3		
2-G, 2-H	VOUT4		
6-G, 6-H	DSW4		
3-G, 3-H	USW4		
7-F	XLVS		
6-A	SW5		
4-C	PREV6		
3-A	LSO6		
4-B	OUT6		
8-C	OUT8		
			(Note 1) Only XLVS has upper side Di

Terminal No.	Terminal Name	Equivalent Circuit
5-C	FB1	
3-B	FB2	
7-B	FB5	
5-B	FB6.1	
7-E	FB7	
7-C	FB8	
7-D	RT	
1-A	A1	
8-A	A8	
1-H	H1	
8-H	H8	

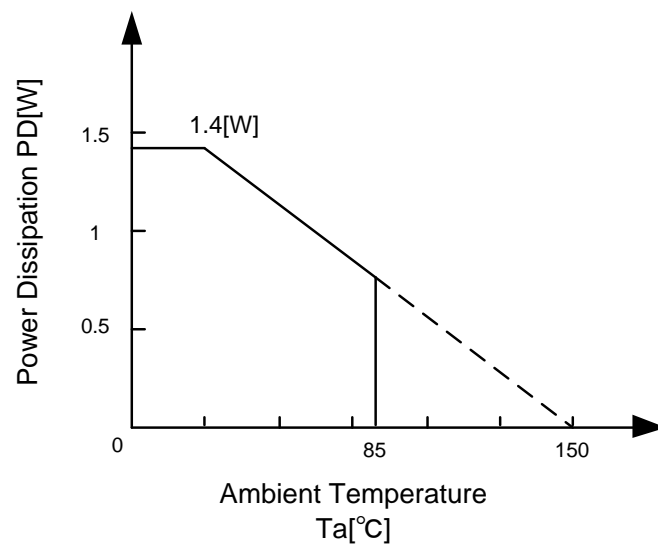
Terminal No.	Terminal Name	Equivalent Circuit
8-G	VOUT7	
8-F	SW7	

Terminal No.	Terminal Name	Equivalent Circuit
6-B	FB6	

Terminal No.	Terminal Name	Equivalent Circuit	
2-B	VBAT		
1-G	VBAT3		
7-G, 7-H	VBAT4		
7-A	VBAT5		
2-A	VBAT6		
8-B	VBAT8		
			(Note 2) VBAT5 doesn't have this Di

Terminal No.	Terminal Name	Equivalent Circuit
4-D	AGND1	
5-D	AGND2	
1-D	PGND1	
1-E	PGND3	
4-H,5-H	PGND4	
5-A	PGND5	
4-A	PGND6	
8-E	PGND7	
8-D	PGND8	

Power Dissipation



Operational Notes

1. Reverse Connection of Power Supply

Connecting the power supply in reverse polarity can damage the IC. Take precautions against reverse polarity when connecting the power supply, such as mounting an external diode between the power supply and the IC's power supply pins.

2. Power Supply Lines

Design the PCB layout pattern to provide low impedance supply lines. Separate the ground and supply lines of the digital and analog blocks to prevent noise in the ground and supply lines of the digital block from affecting the analog block. Furthermore, connect a capacitor to ground at all power supply pins. Consider the effect of temperature and aging on the capacitance value when using electrolytic capacitors.

3. Ground Voltage

Ensure that no pins are at a voltage below that of the ground pin at any time, even during transient condition.

4. Ground Wiring Pattern

When using both small-signal and large-current ground traces, the two ground traces should be routed separately but connected to a single ground at the reference point of the application board to avoid fluctuations in the small-signal ground caused by large currents. Also ensure that the ground traces of external components do not cause variations on the ground voltage. The ground lines must be as short and thick as possible to reduce line impedance.

5. Thermal Consideration

Should by any chance the power dissipation rating be exceeded the rise in temperature of the chip may result in deterioration of the properties of the chip. In case of exceeding this absolute maximum rating, increase the board size and copper area to prevent exceeding the Pd rating. (Refer page 20)

6. Recommended Operating Conditions

These conditions represent a range within which the expected characteristics of the IC can be approximately obtained. The electrical characteristics are guaranteed under the conditions of each parameter.

7. Inrush Current

When power is first supplied to the IC, it is possible that the internal logic may be unstable and inrush current may flow instantaneously due to the internal powering sequence and delays, especially if the IC has more than one power supply. Therefore, give special consideration to power coupling capacitance, power wiring, width of ground wiring, and routing of connections.

8. Operation Under Strong Electromagnetic Field

Operating the IC in the presence of a strong electromagnetic field may cause the IC to malfunction.

9. Testing on Application Boards

When testing the IC on an application board, connecting a capacitor directly to a low-impedance output pin may subject the IC to stress. Always discharge capacitors completely after each process or step. The IC's power supply should always be turned off completely before connecting or removing it from the test setup during the inspection process. To prevent damage from static discharge, ground the IC during assembly and use similar precautions during transport and storage.

10. Inter-pin Short and Mounting Errors

Ensure that the direction and position are correct when mounting the IC on the PCB. Incorrect mounting may result in damaging the IC. Avoid nearby pins being shorted to each other especially to ground, power supply and output pin. Inter-pin shorts could be due to many reasons such as metal particles, water droplets (in very humid environment) and unintentional solder bridge deposited in between pins during assembly to name a few.

11. Unused Input Pins

Input pins of an IC are often connected to the gate of a MOS transistor. The gate has extremely high impedance and extremely low capacitance. If left unconnected, the electric field from the outside can easily charge it. The small charge acquired in this way is enough to produce a significant effect on the conduction through the transistor and cause unexpected operation of the IC. So unless otherwise specified, unused input pins should be connected to the power supply or ground line.

Operational Notes – continued

12. Regarding the Input Pin of the IC

This monolithic IC contains P+ isolation and P substrate layers between adjacent elements in order to keep them isolated. P-N junctions are formed at the intersection of the P layers with the N layers of other elements, creating a parasitic diode or transistor. For example (refer to figure below):

When $GND > Pin A$ and $GND > Pin B$, the P-N junction operates as a parasitic diode.

When $GND > Pin B$, the P-N junction operates as a parasitic transistor.

Parasitic diodes inevitably occur in the structure of the IC. The operation of parasitic diodes can result in mutual interference among circuits, operational faults, or physical damage. Therefore, conditions that cause these diodes to operate, such as applying a voltage lower than the GND voltage to an input pin (and thus to the P substrate) should be avoided.

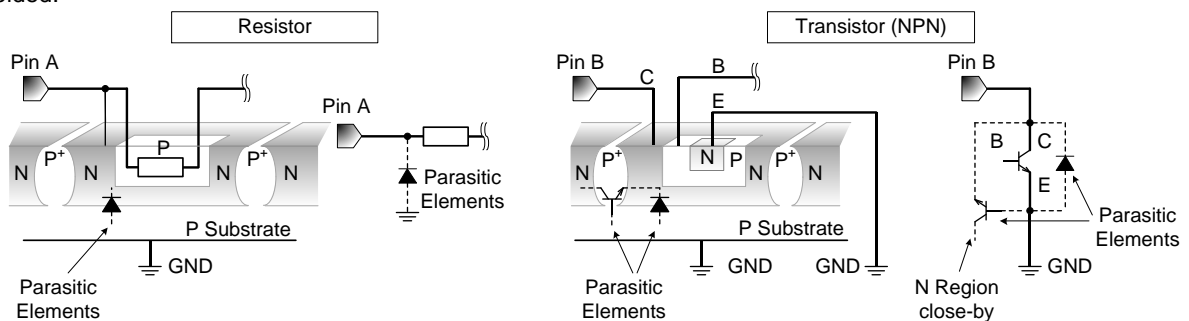


Figure 1. Example of monolithic IC structure

13. Thermal Shutdown Circuit(TSD)

This IC has a built-in thermal shutdown circuit that prevents heat damage to the IC. Normal operation should always be within the IC's power dissipation rating. If however the rating is exceeded for a continued period, the junction temperature (T_j) will rise which will activate the TSD circuit that will turn OFF all output pins. When the T_j falls below the TSD threshold, the circuits are automatically restored to normal operation.

Note that the TSD circuit operates in a situation that exceeds the absolute maximum ratings and therefore, under no circumstances, should the TSD circuit be used in a set design or for any purpose other than protecting the IC from heat damage.

14. Disturbance light

In a device where a portion of silicon is exposed to light such as in a WL-CSP, IC characteristics may be affected due to photoelectric effect. For this reason, it is recommended to come up with countermeasures that will prevent the chip from being exposed to light.

15. Board Patterning

- VBAT,VBAT3,VBAT4,VBAT5,VBAT6,VBAT8 must be connected to the power supply on the board.
- VCC must be connected to VOUT1 output on the board.
- ALL PGND and AGND must be connected to GND on the board.
- ALL power supply line and GND terminals must be wired with wide/short pattern in order to achieve the lowest impedance possible.

16. Peripheral Circuitry

- Use low ESR ceramic capacitor for bypass capacitor and place them as close as possible between power supply and GND terminals.
- Place external components such as L and C by IC using wide and short PCB trace patterns.
- Draw output voltage from each end of capacitor.
- Causing short circuit at CH1 output will overload the external diode and may breakdown the component. Prepare physical countermeasures by adding poli-switches and fuses to avoid excess current flow.

17. Start-up

- Keep light load condition when starting up the device.
- Switch to PWM mode after CH1 has started up in PFM mode, and the VOUT1 output voltage is stable. CH2 to CH8 should starts after or simultaneously with PWM mode.

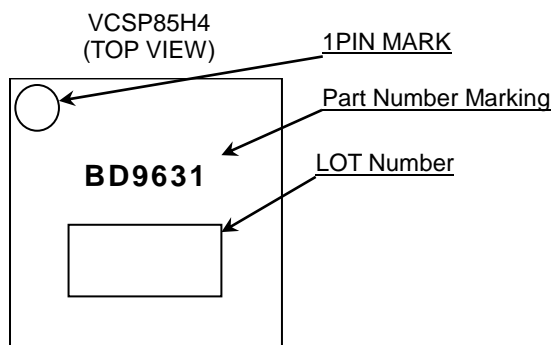
18. Usage of this Product

This IC is designed to be used in DSC/DVD application. When using in other applications, please be sure to consult with our sales representative in advance.

Ordering Information

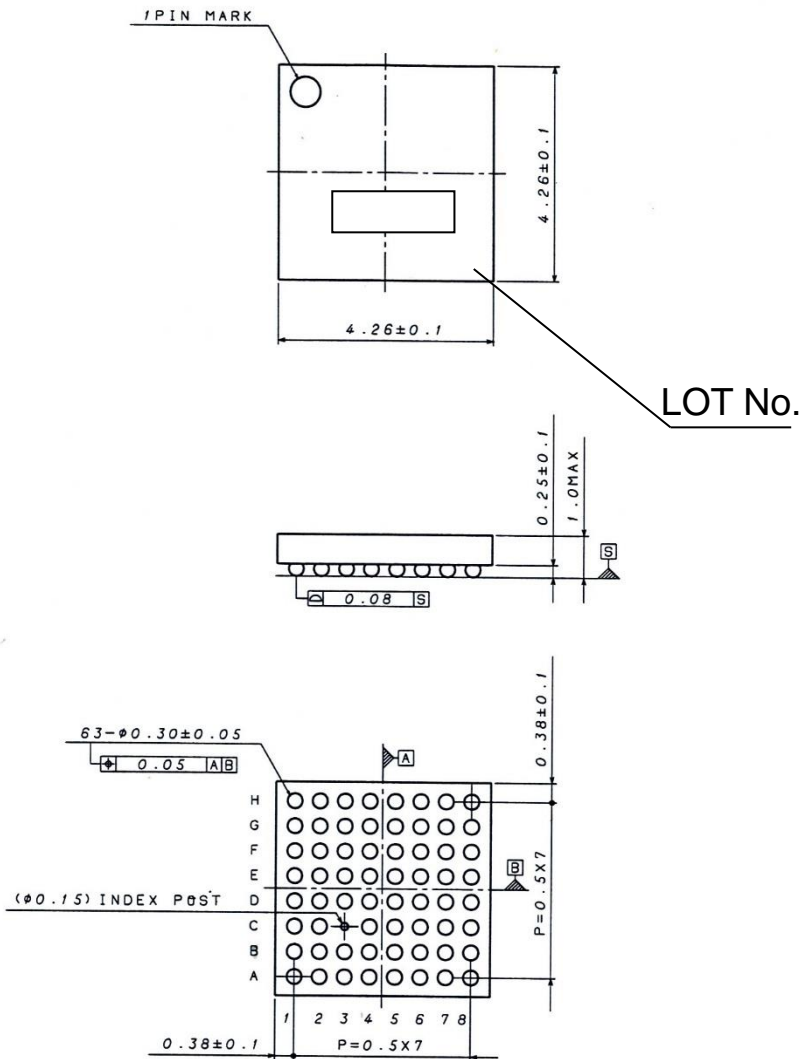
B D 9 6 3 1 G U	-	E 2
Package Name	Package GU: VCSP85H4	Packaging and forming specification E2: Embossed tape and reel

Marking Diagram



Physical Dimension, Tape and Reel Information

Package Name	VCSP85H4(BD9631GU)
--------------	--------------------



Drawing No: EX903-5015

(UNIT: mm)

<Tape and Reel information>

Tape	Embossed carrier tape
Quantity	2500pcs
Direction of feed	E2 (The direction is the 1pin of product is at the upper left when you hold reel on the left hand and you pull out the tape on the right hand)

Reel

1pin

Direction of feed

*Order quantity needs to be multiple of the minimum quantity.

Revision History

Date	Revision	Changes
26.Apr.2016	001	New Release

Notice

Precaution on using ROHM Products

- Our Products are designed and manufactured for application in ordinary electronic equipments (such as AV equipment, OA equipment, telecommunication equipment, home electronic appliances, amusement equipment, etc.). If you intend to use our Products in devices requiring extremely high reliability (such as medical equipment ^(Note 1), transport equipment, traffic equipment, aircraft/spacecraft, nuclear power controllers, fuel controllers, car equipment including car accessories, safety devices, etc.) and whose malfunction or failure may cause loss of human life, bodily injury or serious damage to property ("Specific Applications"), please consult with the ROHM sales representative in advance. Unless otherwise agreed in writing by ROHM in advance, ROHM shall not be in any way responsible or liable for any damages, expenses or losses incurred by you or third parties arising from the use of any ROHM's Products for Specific Applications.

(Note1) Medical Equipment Classification of the Specific Applications

JAPAN	USA	EU	CHINA
CLASS III	CLASS III	CLASS II b	CLASS III
CLASS IV		CLASS III	

- ROHM designs and manufactures its Products subject to strict quality control system. However, semiconductor products can fail or malfunction at a certain rate. Please be sure to implement, at your own responsibilities, adequate safety measures including but not limited to fail-safe design against the physical injury, damage to any property, which a failure or malfunction of our Products may cause. The following are examples of safety measures:
 - Installation of protection circuits or other protective devices to improve system safety
 - Installation of redundant circuits to reduce the impact of single or multiple circuit failure
- Our Products are designed and manufactured for use under standard conditions and not under any special or extraordinary environments or conditions, as exemplified below. Accordingly, ROHM shall not be in any way responsible or liable for any damages, expenses or losses arising from the use of any ROHM's Products under any special or extraordinary environments or conditions. If you intend to use our Products under any special or extraordinary environments or conditions (as exemplified below), your independent verification and confirmation of product performance, reliability, etc. prior to use, must be necessary:
 - Use of our Products in any types of liquid, including water, oils, chemicals, and organic solvents
 - Use of our Products outdoors or in places where the Products are exposed to direct sunlight or dust
 - Use of our Products in places where the Products are exposed to sea wind or corrosive gases, including Cl₂, H₂S, NH₃, SO₂, and NO₂
 - Use of our Products in places where the Products are exposed to static electricity or electromagnetic waves
 - Use of our Products in proximity to heat-producing components, plastic cords, or other flammable items
 - Sealing or coating our Products with resin or other coating materials
 - Use of our Products without cleaning residue of flux (even if you use no-clean type fluxes, cleaning residue of flux is recommended); or Washing our Products by using water or water-soluble cleaning agents for cleaning residue after soldering
 - Use of the Products in places subject to dew condensation
- The Products are not subject to radiation-proof design.
- Please verify and confirm characteristics of the final or mounted products in using the Products.
- In particular, if a transient load (a large amount of load applied in a short period of time, such as pulse. is applied, confirmation of performance characteristics after on-board mounting is strongly recommended. Avoid applying power exceeding normal rated power; exceeding the power rating under steady-state loading condition may negatively affect product performance and reliability.
- De-rate Power Dissipation depending on ambient temperature. When used in sealed area, confirm that it is the use in the range that does not exceed the maximum junction temperature.
- Confirm that operation temperature is within the specified range described in the product specification.
- ROHM shall not be in any way responsible or liable for failure induced under deviant condition from what is defined in this document.

Precaution for Mounting / Circuit board design

- When a highly active halogenous (chlorine, bromine, etc.) flux is used, the residue of flux may negatively affect product performance and reliability.
- In principle, the reflow soldering method must be used on a surface-mount products, the flow soldering method must be used on a through hole mount products. If the flow soldering method is preferred on a surface-mount products, please consult with the ROHM representative in advance.

For details, please refer to ROHM Mounting specification

Precautions Regarding Application Examples and External Circuits

1. If change is made to the constant of an external circuit, please allow a sufficient margin considering variations of the characteristics of the Products and external components, including transient characteristics, as well as static characteristics.
2. You agree that application notes, reference designs, and associated data and information contained in this document are presented only as guidance for Products use. Therefore, in case you use such information, you are solely responsible for it and you must exercise your own independent verification and judgment in the use of such information contained in this document. ROHM shall not be in any way responsible or liable for any damages, expenses or losses incurred by you or third parties arising from the use of such information.

Precaution for Electrostatic

This Product is electrostatic sensitive product, which may be damaged due to electrostatic discharge. Please take proper caution in your manufacturing process and storage so that voltage exceeding the Products maximum rating will not be applied to Products. Please take special care under dry condition (e.g. Grounding of human body / equipment / solder iron, isolation from charged objects, setting of Ionizer, friction prevention and temperature / humidity control).

Precaution for Storage / Transportation

1. Product performance and soldered connections may deteriorate if the Products are stored in the places where:
 - [a] the Products are exposed to sea winds or corrosive gases, including Cl₂, H₂S, NH₃, SO₂, and NO₂
 - [b] the temperature or humidity exceeds those recommended by ROHM
 - [c] the Products are exposed to direct sunshine or condensation
 - [d] the Products are exposed to high Electrostatic
2. Even under ROHM recommended storage condition, solderability of products out of recommended storage time period may be degraded. It is strongly recommended to confirm solderability before using Products of which storage time is exceeding the recommended storage time period.
3. Store / transport cartons in the correct direction, which is indicated on a carton with a symbol. Otherwise bent leads may occur due to excessive stress applied when dropping of a carton.
4. Use Products within the specified time after opening a humidity barrier bag. Baking is required before using Products of which storage time is exceeding the recommended storage time period.

Precaution for Product Label

A two-dimensional barcode printed on ROHM Products label is for ROHM's internal use only.

Precaution for Disposition

When disposing Products please dispose them properly using an authorized industry waste company.

Precaution for Foreign Exchange and Foreign Trade act

Since concerned goods might be fallen under listed items of export control prescribed by Foreign exchange and Foreign trade act, please consult with ROHM in case of export.

Precaution Regarding Intellectual Property Rights

1. All information and data including but not limited to application example contained in this document is for reference only. ROHM does not warrant that foregoing information or data will not infringe any intellectual property rights or any other rights of any third party regarding such information or data.
2. ROHM shall not have any obligations where the claims, actions or demands arising from the combination of the Products with other articles such as components, circuits, systems or external equipment (including software).
3. No license, expressly or implied, is granted hereby under any intellectual property rights or other rights of ROHM or any third parties with respect to the Products or the information contained in this document. Provided, however, that ROHM will not assert its intellectual property rights or other rights against you or your customers to the extent necessary to manufacture or sell products containing the Products, subject to the terms and conditions herein.

Other Precaution

1. This document may not be reprinted or reproduced, in whole or in part, without prior written consent of ROHM.
2. The Products may not be disassembled, converted, modified, reproduced or otherwise changed without prior written consent of ROHM.
3. In no event shall you use in any way whatsoever the Products and the related technical information contained in the Products or this document for any military purposes, including but not limited to, the development of mass-destruction weapons.
4. The proper names of companies or products described in this document are trademarks or registered trademarks of ROHM, its affiliated companies or third parties.

General Precaution

1. Before you use our Products, you are requested to carefully read this document and fully understand its contents. ROHM shall not be in any way responsible or liable for failure, malfunction or accident arising from the use of any ROHM's Products against warning, caution or note contained in this document.
2. All information contained in this document is current as of the issuing date and subject to change without any prior notice. Before purchasing or using ROHM's Products, please confirm the latest information with a ROHM sales representative.
3. The information contained in this document is provided on an "as is" basis and ROHM does not warrant that all information contained in this document is accurate and/or error-free. ROHM shall not be in any way responsible or liable for any damages, expenses or losses incurred by you or third parties resulting from inaccuracy or errors of or concerning such information.



BD9631GU - Web Page

Part Number	BD9631GU
Package	VCSP85H4
Unit Quantity	2500
Minimum Package Quantity	2500
Packing Type	Taping
Constitution Materials List	inquiry
RoHS	Yes