

# Switching Regulator ICs with Built-in FET (5V)

## BD9639MWV

### General Description

BD9639MWV is a 6-channel system switching regulator IC with built-in FET and error amplifier phase compensation for DSC/DVC applications. The built-in regulators consisting of 2ch Buck-Boost, 2ch Buck and 2ch Boost circuits operate at high efficiency.

### Features

- 6CH DC/DC converter
  - CH1 Boost FET embedded Start-up ch, Motor
  - CH2 Buck FET embedded Core
  - CH3 Buck-Boost FET embedded CMOS
  - CH4 Buck-Boost FET embedded Digital
  - CH5 Buck FET embedded CMOS, Memory
  - CH6 Boost FET embedded LED
- Low voltage operation 2.5[V]
- CH1 supply voltage output for internal circuit
- CH1 PWM / PFM selectable
- CH3-CH4 Boost-Buck auto switching
- CH6 integrated Boost output shutdown (Load switch embedded)
- Soft-start correspondence to each channel
- Built-in ground short protection function (CH2 to CH6)
- Built-in error amp phase compensation (CH1 to CH6)
- Operating frequency 1.5[MHz] (CH1 to CH6)

### Applications

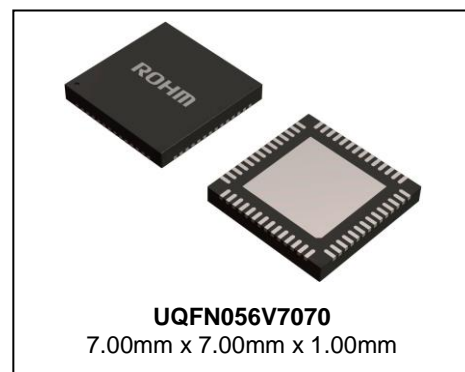
DSC/DVC

### Key Specifications

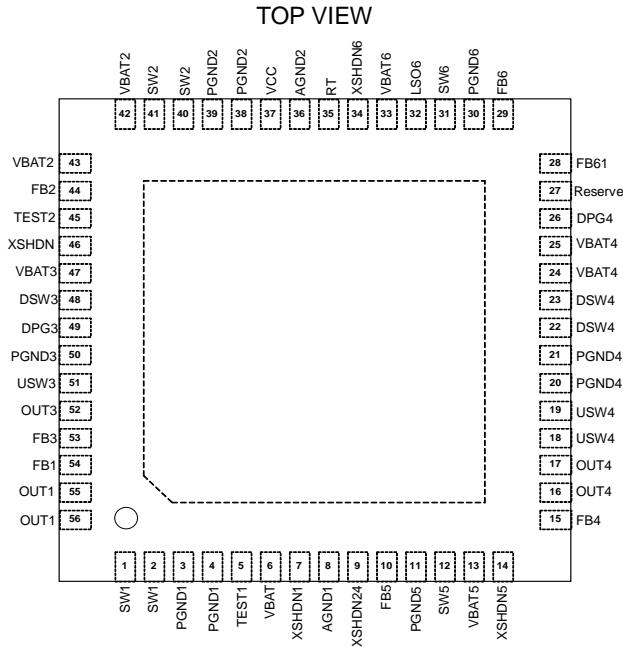
- Input Supply Voltage Range: 2.5V to 5.5V
- Oscillating Frequency 1: 1.5 MHz(Typ)
- ON-Resistance: Refer to Electrical Characteristics
- Shutdown Current Consumption: 0μA(Typ)
- Operating Temperature Range: -20°C to +85°C

### Package

W(Typ) x D(Typ) x H(Max)



Pin Configuration

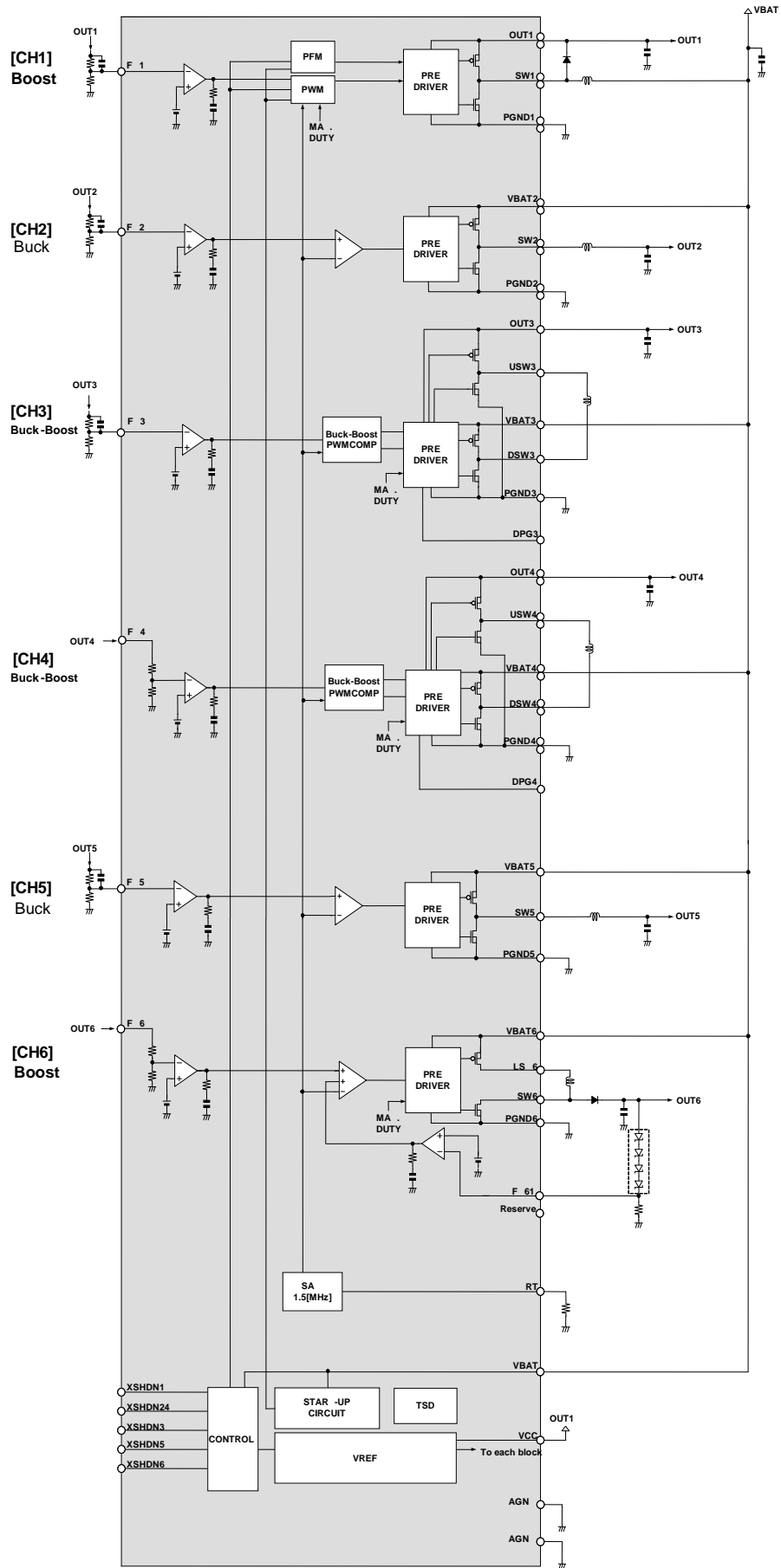


Pin Descriptions

Terminal No.	Name	Equivalent Circuit	
1	SW1	CH1 switching terminal	O
2	SW1	CH1 switching terminal	O
3	PGND1	CH1 DRIVER GND terminal	G
4	PGND1	CH1 DRIVER GND terminal	G
5	TEST1	Test terminal	O·G
6	VBAT	Battery input terminal	V
7	XSHDN1	CH1 shutdown terminal	G
8	AGND1	Analog GND terminal	G
9	XSHDN24	CH2· 4 shutdown terminal	O·G
10	FB5	CH5 feed buck terminal	G
11	PGND5	CH5 DRIVER GND terminal	G
12	SW5	CH5 switching terminal	O
13	VBAT5	CH5 DRIVER power supply terminal	V
14	XSHDN5	CH5 shutdown terminal	O·G
15	FB4	CH4 feed buck terminal	G
16	OUT4	CH4 output terminal	O
17	OUT4	CH4 output terminal	O
18	USW4	CH4 Boost side switching terminal	O
19	USW4	CH4 Boost side switching terminal	O
20	PGND4	CH4 DRIVER GND terminal	G
21	PGND4	CH4 DRIVER GND terminal	G
22	DSW4	CH4 Buck side switching terminal	O
23	DSW4	CH4 Buck side switching terminal	O
24	VBAT4	CH4 DRIVER power supply terminal	V
25	VBAT4	CH4 DRIVER power supply terminal	V
26	DPG4	CH4 gate connecting terminal	O
27	Reserve	Reserve terminal	O·G
28	FB61	CH6 feed buck terminal (Constant current side)	G
29	FB6	CH6 feed buck terminal (Constant voltage side)	G
30	PGND6	CH6 DRIVER GND terminal	G
31	SW6	CH6 switching terminal	O
32	LSO6	CH6 Load switch output terminal	O
33	VBAT6	CH6 Load switch input terminal	V
34	XSHDN6	CH6 shutdown terminal	O·G
35	RT	Triangle wave setting resistor terminal	
36	AGND2	Analog GND terminal	G
37	VCC	Analog power supply terminal	V
38	PGND2	CH2 DRIVER GND terminal	G
39	PGND2	CH2 DRIVER GND terminal	G
40	SW2	CH2 switching terminal	O
41	SW2	CH2 switching terminal	O
42	VBAT2	CH2 DRIVER power supply terminal	V
43	VBAT2	CH2 DRIVER power supply terminal	V
44	FB2	CH2 feed buck terminal	G
45	TEST2	Test terminal	O·G
46	XSHDN3	CH3 shutdown terminal	O·G
47	VBAT3	CH3 DRIVER power supply terminal	V
48	DSW3	CH3 Buck side switching terminal	O
49	DPG3	CH3 gate connecting terminal	O
50	PGND3	CH3 DRIVER GND terminal	G
51	USW3	CH3 Boost side switching terminal	O
52	OUT3	CH3 output terminal	O
53	FB3	CH3 feed buck terminal	G
54	FB1	CH1 feed buck terminal	G
55	OUT1	CH1 output terminal	O
56	OUT1	CH1 output terminal	O

The letter on the right side of each pin explanation indicates the reaction if the terminal are not used.  
 O · · · OPEN    G · · · GND    O·G · · · OPEN or GND    V · · · Power supply (VBAT)

Block Diagram



## Absolute Maximum Ratings (Ta=25°C)

Parameter	Symbol	Rating	Unit
Supply Voltage Permissible Voltage	V <sub>VBAT</sub>	-0.3 to +7	V
	V <sub>VBAT2</sub>		
	V <sub>VBAT3</sub>		
	V <sub>VBAT4</sub>		
	V <sub>VBAT5</sub>		
	V <sub>VBAT6</sub>		
SW6 Permissible Voltage	V <sub>SW6</sub>	24.0	V
OUT1 Permissible Current Output	I <sub>OUT1</sub>	1.0	A
SW1 Permissible Current Output	I <sub>SW1</sub>	1.0	A
SW2 Permissible Current Output	I <sub>SW2</sub>	2.0	A
OUT3 Permissible Current Output	I <sub>OUT3</sub>	1.0	A
DSW3 Permissible Current Output	I <sub>DSW3</sub>	1.0	A
USW3 Permissible Current Output	I <sub>USW3</sub>	1.0	A
OUT4 Permissible Current Output	I <sub>OUT4</sub>	1.0	A
DSW4 Permissible Current Output	I <sub>DSW4</sub>	1.0	A
USW4 Permissible Current Output	I <sub>USW4</sub>	1.0	A
SW5 Permissible Current Output	I <sub>SW5</sub>	1.0	A
SW6 Permissible Current Output	I <sub>SW6</sub>	0.2	A
Power Dissipation	P <sub>d</sub>	4.83 (Note 1)	W
Operating Temperature Range	T <sub>opr</sub>	-20 to +85	°C
Storage Temperature Range	T <sub>stg</sub>	-55 to +150	°C
Junction Temperature	T <sub>jmax</sub>	+150	°C

(Note 1) Implemented on Glass epoxy board (ROHM standard board : 74.2 x 74.2 x 1.6[mm<sup>3</sup>] 4 layers(Copper foil : 5502 m<sup>2</sup>)  
Power dissipation depends on the mounted wiring pattern.

**Caution:** Operating the IC over the absolute maximum ratings may damage the IC. The damage can either be a short circuit between pins or an open circuit between pins and the internal circuitry. Therefore, it is important to consider circuit protection measures, such as adding a fuse, in case the IC is operated over the absolute maximum ratings.

## Recommended Operating Conditions

Parameter	Symbol	Limit			Unit
		Min	Typ	Max	
VBAT Supply Voltage	V <sub>VBAT</sub>	2.5	3.7	5.5	V
	V <sub>VBAT2</sub>	2.5	3.7	5.5	V
	V <sub>VBAT3</sub>	2.5	3.7	5.5	V
	V <sub>VBAT4</sub>	2.5	3.7	5.5	V
	V <sub>VBAT5</sub>	2.5	3.7	5.5	V
	V <sub>VBAT6</sub>	2.5	3.7	5.5	V

## Electrical Characteristics

(Unless otherwise specified,  $V_{VBAT}=V_{VBAT2,3,4,5,6}=3.7[V]$ , VCC input terminal =3.7[V],  $T_a=25[^\circ C]$ )

Parameter	Symbol	Limit			Unit	Conditions
		Min	Typ	Max		
Current Consumption (PFM)	$I_{CC1}$	-	72	150	$\mu A$	<ul style="list-style-type: none"> <li>XSHDN1=H, XSHDN24=L</li> <li>Without load on each channel</li> <li><math>V_{FB1}=0.5[V]</math></li> <li>sum of VBAT terminal, and OUT1 terminal</li> </ul>
Current Consumption (PWM)	$I_{CC2}$	1.57	2.35	3.53	mA	<ul style="list-style-type: none"> <li>XSHDN1=H, XSHDN24=H, TEST1=H</li> <li><math>V_{FB1}=0.5[V]</math></li> <li>Sum of VBAT terminal, and OUT1 terminal</li> </ul>
Shutdown Current Consumption	$I_{CC3}$	-	0	10	$\mu A$	<ul style="list-style-type: none"> <li>All setting terminal=L</li> <li>Sum of VBAT terminal, and OUT1 terminal</li> </ul>
H Input Voltage 1	$V_{IH1}$	$V_{VBAT}$ -0.3	-	-	V	XSHDN1
L Input Voltage 1	$V_{IL1}$	-	-	GND +0.3	V	
H Input Voltage 2	$V_{IH3}$	2.5	-	-	V	XSHDN24, XSHDN3, XSHDN5, XSHDN6
L Input Voltage 2	$V_{IL3}$	-	-	GND +0.3	V	
H Input Current 1	$I_{IH1}$	4.63	9.25	18.5	$\mu A$	Input voltage =3.7[V] XSHDN24, XSHDN3, XSHDN5, XSHDN6
Oscillating Frequency 1	$f_{OSC1}$	1.2	1.5	1.8	MHz	$R_{RT}=10[k\Omega]$
Reduced-voltage Detection Voltage	$V_{UVLO1}$	1.75	1.95	2.15	V	
Reduced-voltage Return Voltage	$V_{UVLO2}$	1.95	2.15	2.35	V	
<b>【CH1】</b>						
Soft-start Period 85%	$t_{SS1}$	310	620	930	$\mu s$	Soft-start period 100% 730[ $\mu s$ ](Typ) XSHDN24=L
Error Amp Reference Voltage	$V_{REF1}$	0.388	0.400	0.412	V	XSHDN24=H
PMOS ON-Resistance	$R_{ONP1}$	-	0.24	0.38	$\Omega$	Power supply 3.7[V]
NMOS ON-Resistance	$R_{ONN1}$	-	0.14	0.23	$\Omega$	Power supply 3.7[V]
Maximum Duty	$D_{MAX1}$	76.5	85.0	93.5	%	XSHDN24=H
<b>【CH2】</b>						
Error Amp Reference Voltage	$V_{REF2}$	0.390	0.400	0.410	V	
Soft-start Period 85%	$t_{SS2}$	0.43	0.85	1.27	ms	Soft-start period 100% 1.0[ms](Typ)
PMOS ON-Resistance	$R_{ONP2}$	-	0.13	0.21	$\Omega$	Power supply 3.7[V]
NMOS ON-Resistance	$R_{ONN2}$	-	0.08	0.14	$\Omega$	Power supply 3.7[V]

## Electrical Characteristics –continued

(Unless otherwise specified,  $V_{VBAT}=V_{VBAT2,3,4,5,6}=3.7[V]$ , VCC input terminal =3.7[V],  $T_a=25[^\circ C]$ )

Parameter	Symbol	Limit			Unit	Conditions
		Min	Typ	Max		
<b>【CH3】</b>						
Error Amp Reference Voltage	$V_{REF3}$	0.390	0.400	0.410	V	
Soft-start Period 85%	$t_{SS3}$	0.85	1.70	2.55	ms	Soft-start period 100% 2.0[ms](Typ)
PMOS ON-Resistance DOWN Side	$R_{ONPD3}$	-	0.24	0.39	$\Omega$	Power supply 3.7[V]
NMOS ON-Resistance DOWN Side	$R_{ONND3}$	-	0.25	0.40	$\Omega$	Power supply 3.7[V]
PMOS ON-Resistance UP Side	$R_{ONPU3}$	-	0.26	0.42	$\Omega$	Power supply 3.7[V]
NMOS ON-Resistance UP Side	$R_{ONNU3}$	-	0.16	0.27	$\Omega$	Power supply 3.7[V]
Maximum Duty	$DMAX3$	65	80	95	%	
<b>【CH4】</b>						
Error Amp Reference Voltage	$V_{REF4}$	0.390	0.400	0.410	V	
Soft-start Period 85%	$t_{SS4}$	1.28	2.55	3.83	ms	Soft-start period 100% 3.0[ms](Typ)
PMOS ON-Resistance DOWN Side	$R_{ONPD4}$	-	0.16	0.26	$\Omega$	Power supply 3.7[V]
NMOS ON-Resistance DOWN Side	$R_{ONND4}$	-	0.21	0.33	$\Omega$	Power supply 3.7[V]
PMOS ON-Resistance UP Side	$R_{ONPU4}$	-	0.24	0.38	$\Omega$	Power supply 3.7[V]
NMOS ON-Resistance UP Side	$R_{ONNU4}$	-	0.16	0.26	$\Omega$	Power supply 3.7[V]
Maximum Duty	$DMAX4$	65	80	95	%	
<b>【CH5】</b>						
Error Amp Reference Voltage	$V_{REF5}$	0.390	0.400	0.410	V	
Soft-start Period 85%	$t_{SS5}$	0.85	1.70	2.55	ms	Soft-start period 100% 2.0[ms](Typ)
PMOS ON-Resistance	$R_{ONP5}$	-	0.26	0.42	$\Omega$	Power supply 3.7[V]
NMOS ON-Resistance	$R_{ONN5}$	-	0.17	0.28	$\Omega$	Power supply 3.7[V]
<b>【CH6】</b>						
Error Amp Reference Voltage 1	$V_{REF6}$	0.380	0.400	0.420	V	Constant voltage control side
Error Amp Reference Voltage 2	$V_{REF6.1}$	0.380	0.400	0.420	V	Constant current control side
Soft-start Period 85%	$t_{SS6}$	2.55	5.10	7.65	ms	Soft-start period 100% 6.0[ms](Typ)
Load Switching ON-Resistance	$R_{ONP6}$	-	0.23	0.37	$\Omega$	Power supply 3.7[V]
NMOS ON-Resistance	$R_{ONN6}$	-	0.47	0.73	$\Omega$	Power supply 3.7[V]
Maximum Duty	$DMAX6$	83	90	97	%	

Application Information

1. Function Description

(1) Features Summary

CH	Function	Output voltage	Power output	Setting res.	USE
CH1	Boost converter	3.70[V] to 5.50[V]	Embedded	External	Start-up CH, Motor
CH2	Buck converter	1.05[V] to 1.80[V]	Embedded	External	Core
CH3	H-BRIDGE converter	1.80[V] to 3.30[V]	Embedded	External	CMOS
CH4	H-BRIDGE converter	3.25[V]	Embedded	Embedded	Digital
CH5	Buck converter	1.50[V] to 1.80[V]	Embedded	External	CMOS, Memory
CH6	Boost converter	2 LED to 6 LED	Embedded	External	LED

(2) CONTROL

(a) Stand-by function related terminals

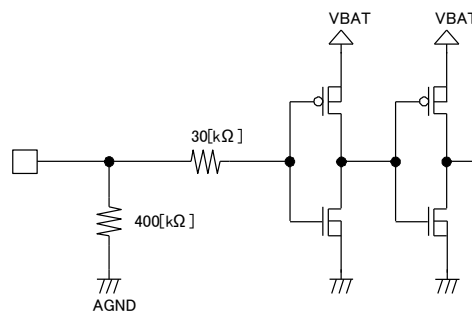
Following table shows start-up condition of each block.

XSHDN1	XSHDN24	XSHDN3	XSHDN5	XSHDN6	CH1 PFM	CH1 PWM	Internal supply	CH2 CH4	CH3	CH5	CH6
L	-	-	-	-	OFF	OFF	OFF	OFF	OFF	OFF	OFF
H	L	-	-	-	ON	OFF	OFF	OFF	OFF	OFF	OFF
	H	L	L	L	OFF	ON	ON	ON	ON	ON	OFF
		H	L	L					OFF	OFF	ON
		L	H	L					ON	ON	OFF
L	L	H	OFF	OFF					ON		

(Note) - symbol mean without conditions.

(b) Other setting terminals

(c) XSHDN24 to XSHDN6 terminal equivalent circuit



( XSHDN1 terminal does not have a pull down.  
it is necessary to process the VBAT input and the GND input. )

(3) Start-up Circuit

CH1 begins operating using PFM when XSHDN1 goes "HIGH".

Afterwards, when XSHDN24 goes "HIGH" an internal power supply turns ON and CH1 starts operating using PWM. From the time XSHDN24 goes "HIGH", CH2 to CH6 enters standby mode for about 5 ms after which CH2 and CH4 begin a soft start. Similarly, when XSHDN24 to XSHDN6 goes High synchronously, CH2 to CH6 starts soft-start after the normal wait time.

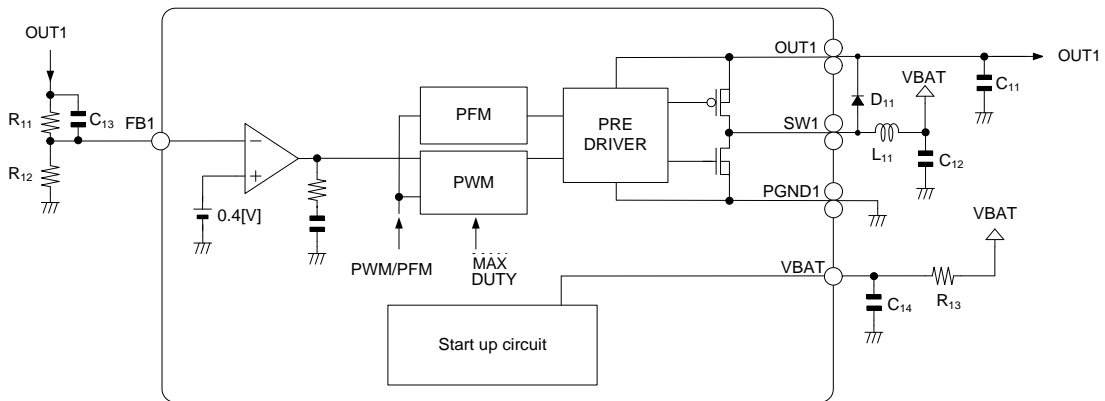
(4) CH1

(a) Function

Selectable PWM/PFM boost DC/DC converter.

Output voltage is ranges from 3.7[V] to 5.5[V].

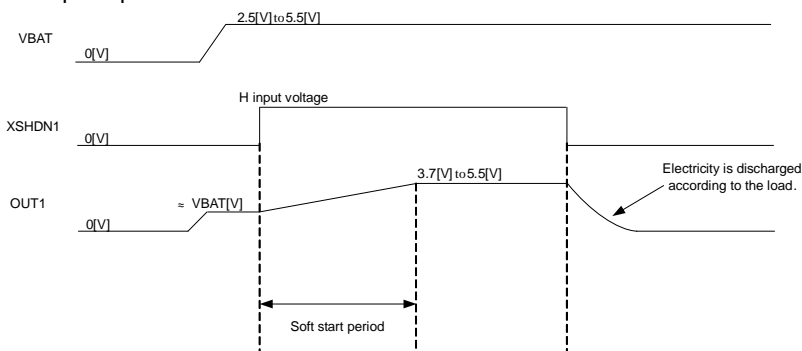
Low voltage operation starts up from 2.5[V] and also provides supply voltage to VREF circuit.



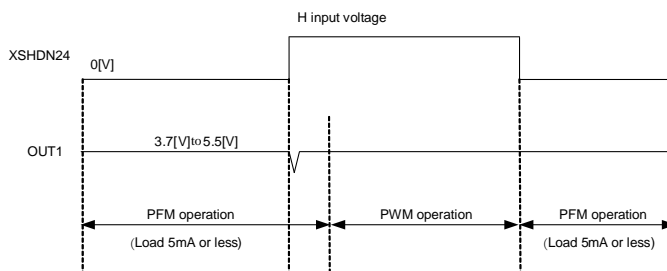
(b) Recommended External Components (At the time of setting when  $V_{OUT1}=5.0V$ )

Parts Name	Value	Maker	Part Number
R11	620[kΩ] +24[kΩ]	-	-
R12	56[kΩ]	-	-
R13	10[Ω]	-	-
C11	22[μF] (x2)	Taiyo Yuden	JMK212BJ226MG
C12	10[μF]	Taiyo Yuden	JMK212BJ106KG
C13	100[pF]	Taiyo Yuden	UMK1005CH101JV
C14	1[μF]	Taiyo Yuden	JMK105BJ105KV
L11	2.2[μH]	Taiyo Yuden	NR4018T2R2N
D11	-	ROHM	RB060M-30

(c) Start-up Sequence



(d) PWM/PFM



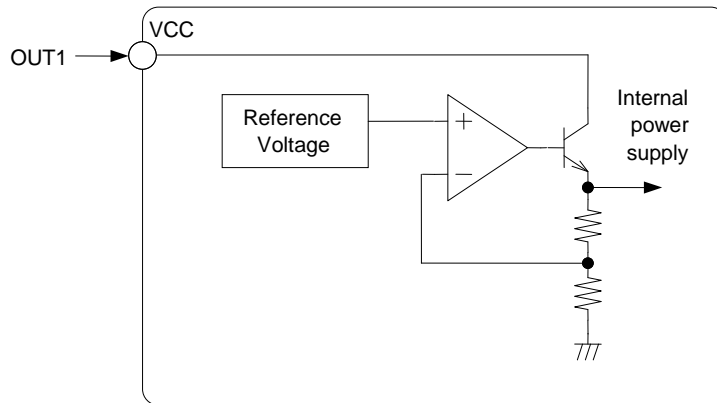
Select PWM/PFM (operation of XSHDN=HIGH and XSHDN24) with light load (10mA or less).



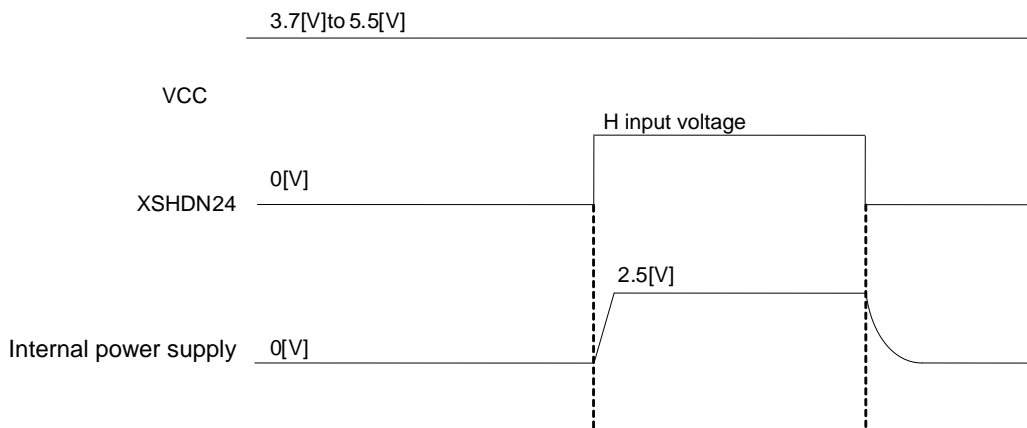
(5) Internal Supply Voltage

(a) Function

Regulator input voltage is supplied by OUT1.  
Output voltage is 2.5[V] is not available outside the chip and is used only to power up internal circuit.  
This internal supply is used during PWM mode when both XSHDN1 and XSHDN24 are "HIGH".



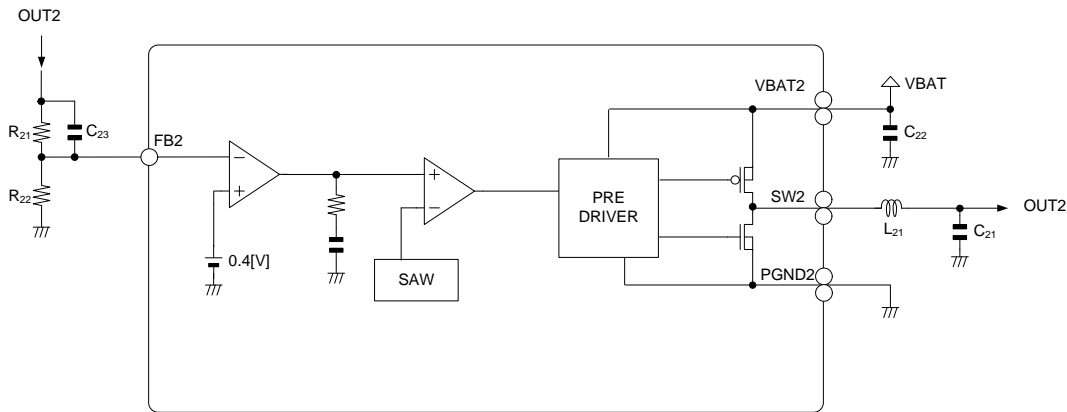
(b) Start-up Sequence



(6) CH2

(a) Function

Synchronous rectification buck DC/DC converter with built in power MOS output stage.  
Output voltage ranges from 1.05[V] to 1.80[V].

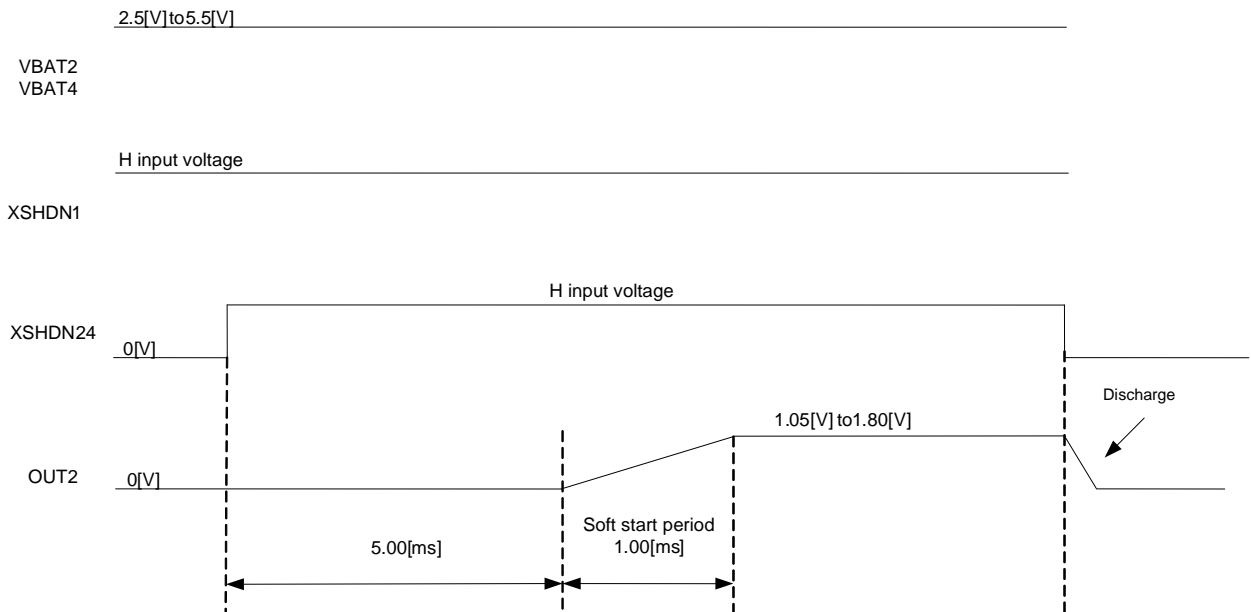


(b) Recommended External Components

Parts name	Value	Maker	Part number
R <sub>21</sub>	Refer to right table	-	-
R <sub>22</sub>	Refer to right table	-	-
C <sub>21</sub>	22[μF]	Taiyo Yuden	JMK212BJ226MG
C <sub>22</sub>	10[μF]	Taiyo Yuden	JMK212BJ106KG
C <sub>23</sub>	33[pF]	Taiyo Yuden	UMK105CH330JV
L <sub>21</sub>	2.0[μH]	TOKO	A915AY-2R0M

OUT2	1.1[V]	1.2[V]
Set external		
R <sub>21</sub>	100[kΩ]	100[kΩ]
R <sub>22</sub>	56[kΩ] + 1.1[kΩ]	20[kΩ] + 30[kΩ]

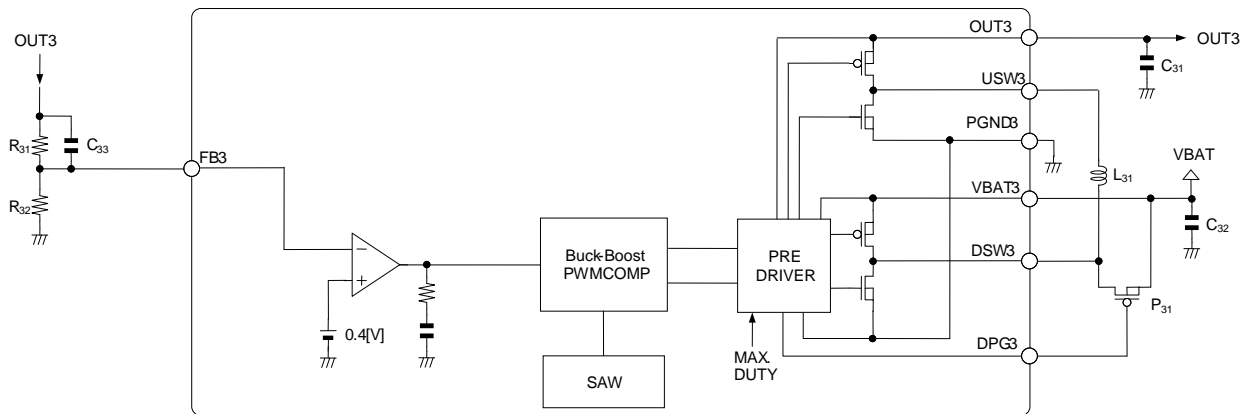
(c) Start-up Sequence



(7) CH3

(a) Function

Synchronous rectification cross converter with built-in power MOS output stage.  
Output voltage ranges from 1.80[V] to 2.80[V].



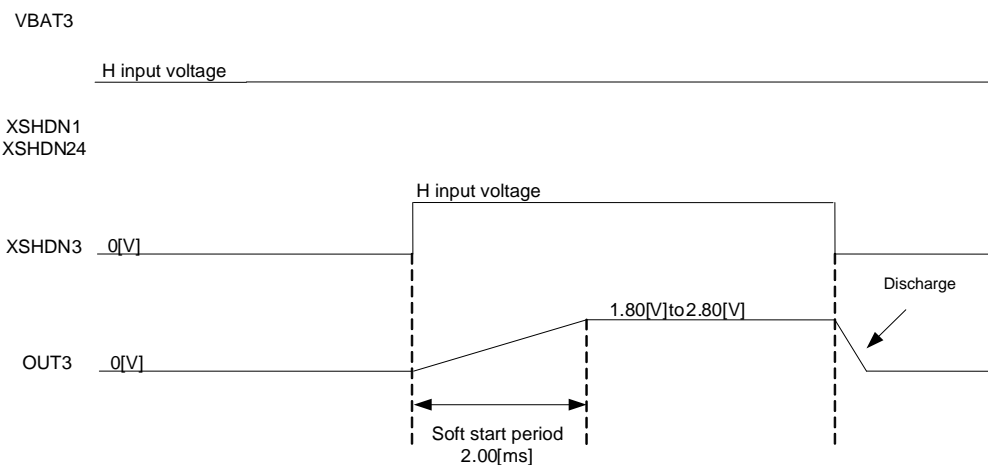
(b) Recommended External Components

Parts Name	Value	Maker	Part Number
R31	Refer to right table	-	-
R32	Refer to right table	-	-
C31	22[μF]	Taiyo Yuden	JMK212BJ226MG
C32	10[μF]	Taiyo Yuden	JMK212BJ106KG
C33	100[pF]	Taiyo Yuden	UMK105CH101JV
L31	4.7[μH]	Taiyo Yuden	NR3015T4R7M
P31	-	ROHM	RW1A020ZP

OUT3 Set external	1.80[V]	2.80[V]
R31	100[kΩ]	100[kΩ]
R32	27[kΩ] + 1.6[kΩ]	12[kΩ] + 4.7[kΩ]

(c) Start-up Sequence

2.5[V]to5.5[V]



(Note) When  $V_{OUT}=1.8[V]$ , if OUT3 · USW3 are not used (These terminals are only for Buck condition), Discharge function is not activated.

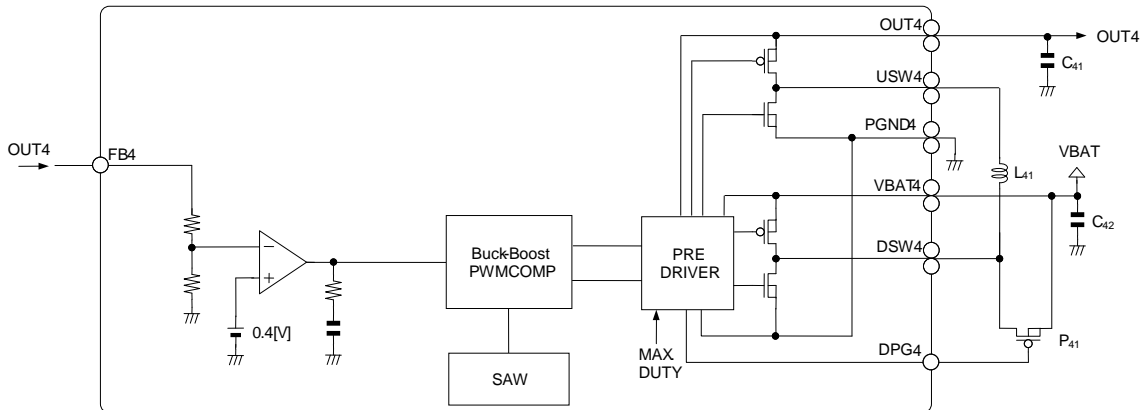
(d) DPG3

The DPG3 output terminal is a gating signal to an external PMOS inserted between VBAT3 and DSW3. If the  $V_{VBAT}$  voltage becomes lower than 2.85[V], DPG3 becomes Low and an external PMOS turns ON. The over-current can still electrify even if the voltage descend.

(8) CH4

(a) Function

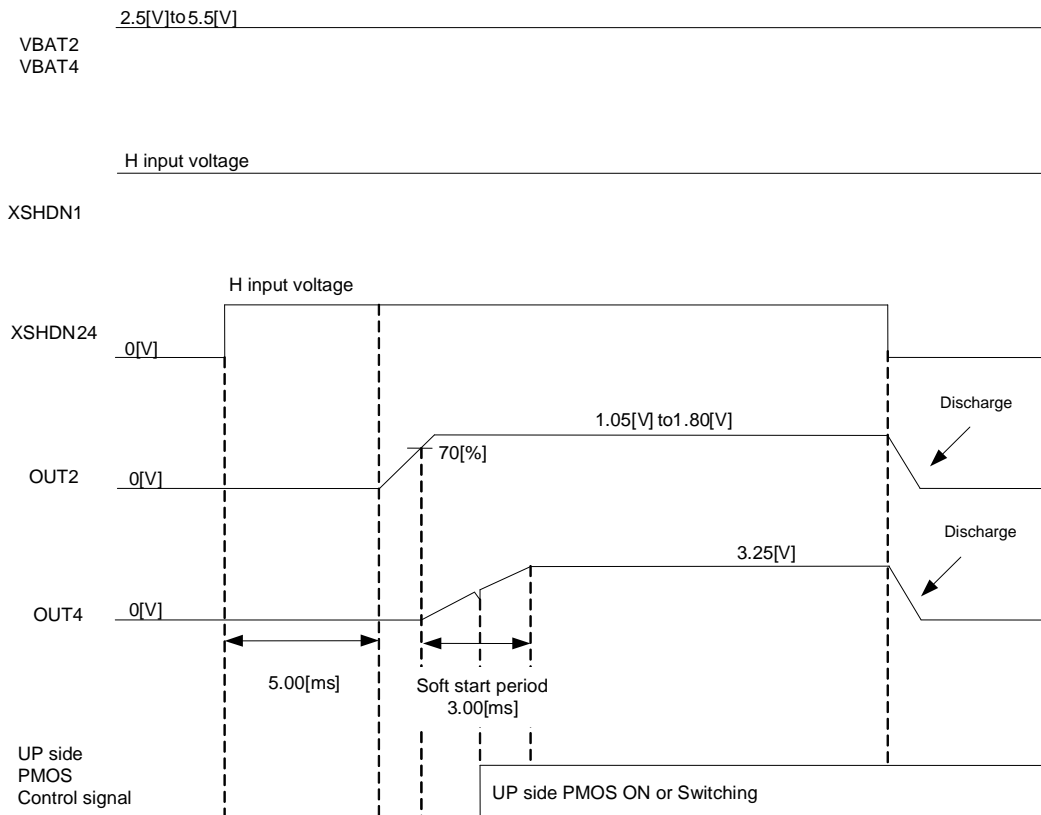
Synchronous rectification cross converter with built-in power MOS output stage.  
The output voltage is fixed at 3.25V.



(b) Recommended External Components

Parts name	Value	Maker	Part number
C <sub>41</sub>	22[μF]	Taiyo Yuden	JMK212BJ226MG
C <sub>42</sub>	10[μF]	Taiyo Yuden	JMK212BJ106KG
L <sub>41</sub>	3.3[μH]	Taiyo Yuden	NR4018T3R3M
P <sub>41</sub>	-	ROHM	RW1A20ZP

(c) Start-up Sequence



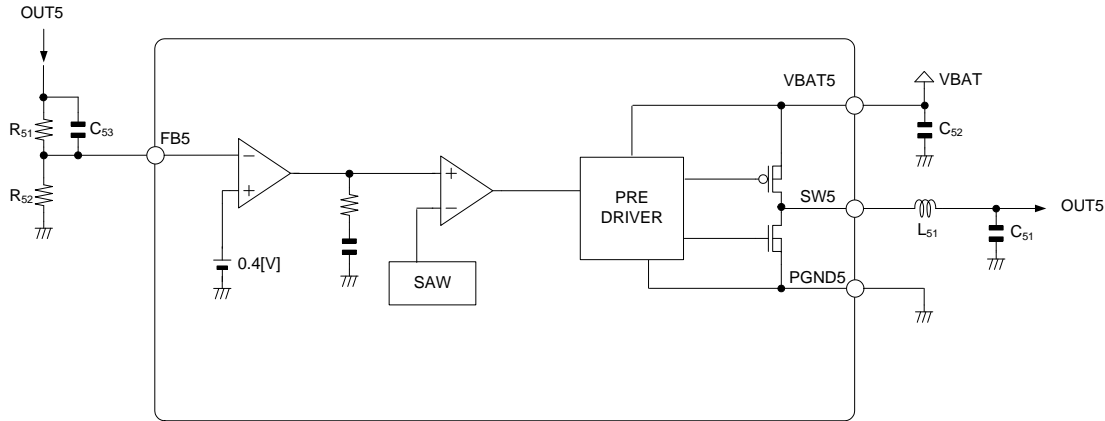
(d) DPG4

The DPG4 output terminal is a gating signal to an external PMOS inserted between VBAT4 and DSW4. If the V<sub>VBAT</sub> voltage becomes lower than 2.85[V], DPG4 becomes Low and an external PMOS turns ON. The over-current can still electrify even if the voltage descend.

(9) CH5

(a) Function

Synchronous rectification Buck DC/DC converter with integrated output stage power MOS.  
Output voltage ranges from 1.50[V] to 1.80[V].

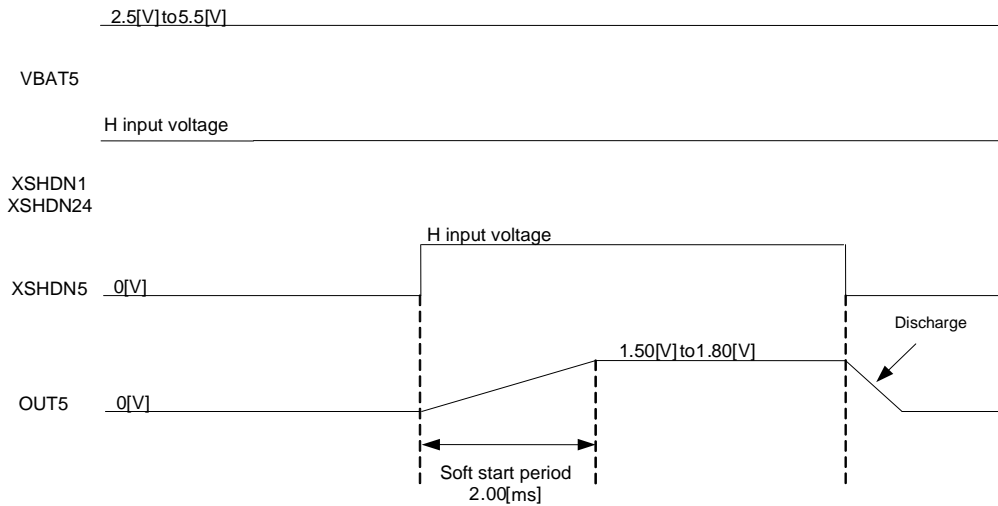


(b) Recommended External Components

Parts name	Value	Maker	Part number
R51	Refer to right table	-	-
R52	Refer to right table	-	-
C51	10[μF]	Taiyo Yuden	JMK212BJ106KG
C52	1[μF]	Taiyo Yuden	JMK105BJ105KV
C53	100[pF]	Taiyo Yuden	UMK105CH101JV
L51	6.8[μH]	Taiyo Yuden	NR3015T6R8M

OUT5 Set external	1.5[V]	1.8[V]
R51	100[kΩ]	100[kΩ]
R52	33[kΩ] + 3.3[kΩ]	27[kΩ] + 1.6[kΩ]

(c) Start-up Sequence



(10) CH6

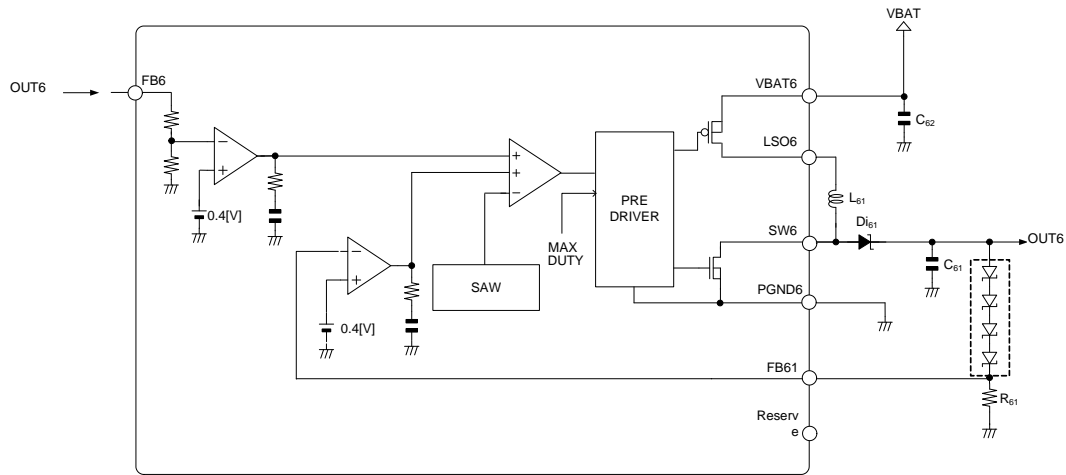
(a) Function

Boost DC/DC converter with built-in load switch.

This channel enables constant voltage operation and constant current operation for protection.

The constant voltage is available with output of 2 to 6 LEDs (typ).

The load switch turns OFF when XSHDN6 goes LOW (CH6 shutdown) and the timer latch.



(b) Recommended External Components

Parts name	Value	Maker	Part number
R <sub>61</sub>	20[Ω]	-	-
C <sub>61</sub>	4.7[μF]	Taiyo Yuden	EMK212BJ475KG
C <sub>62</sub>	1[μF]	Taiyo Yuden	JMK105BJ105KV
L <sub>61</sub>	10[μH]	Taiyo Yuden	NR3015T100M
Di <sub>61</sub>	-	ROHM	RB551V-30

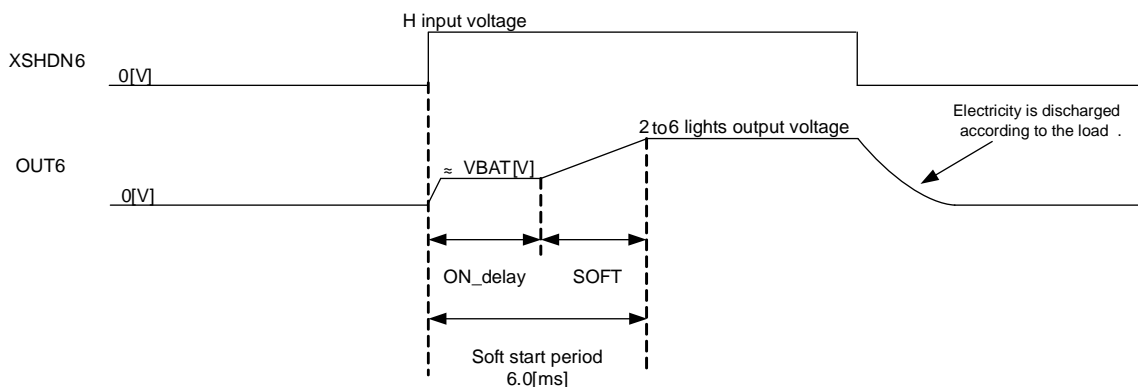
(c) Start-up Sequence

2.5[V]to5.5[V]

VBAT6

H input voltage

XSHDN1  
XSHDN24



(d) Set Voltage when Fixed Voltage is Driven

When a fixed voltage is driven by internal resistance, it is set to 16V.

It is possible to return in a set voltage by adding external resistance between OUT6 and FB6.

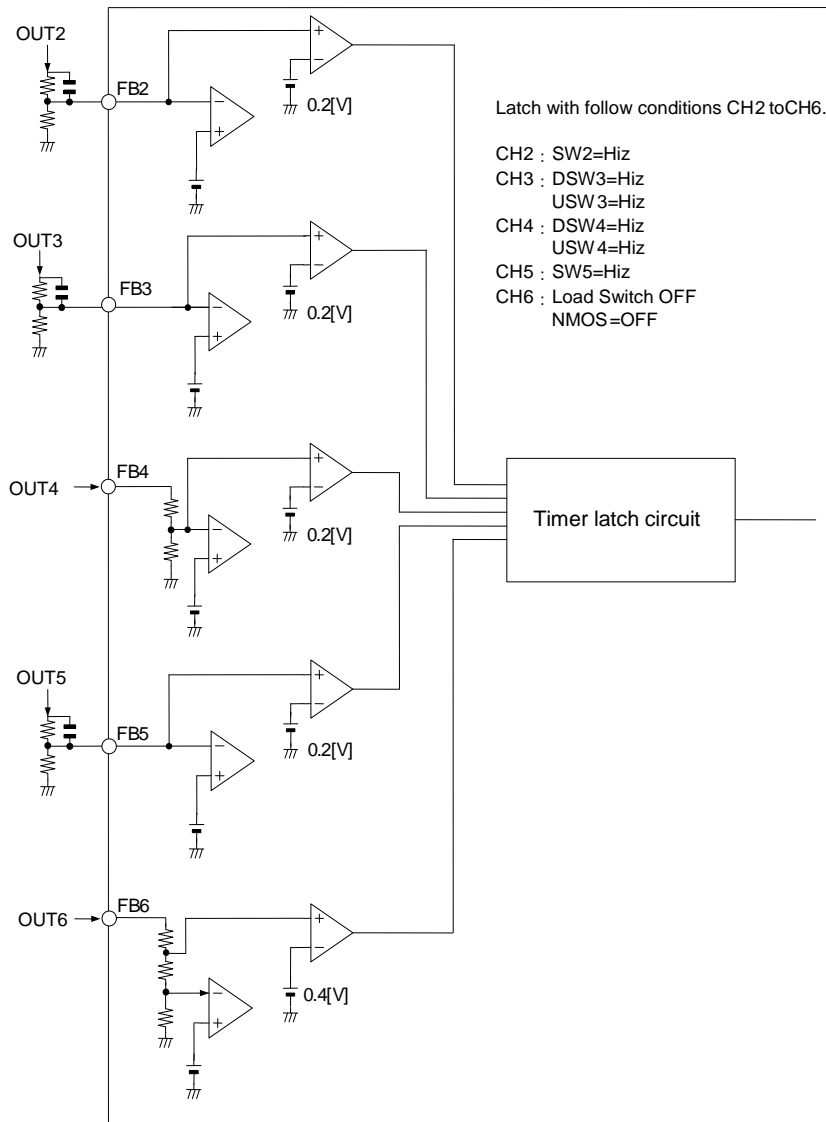
When a fixed voltage is driven, it becomes 20.1V if 82kΩ is added.

When a fixed voltage is driven, it becomes 22.0V if 120kΩ is added.

However, note the resisting pressure of the capacitance of C<sub>61</sub> when stepping up the voltage applying external resistance.

(11) Ground Short Protection Function

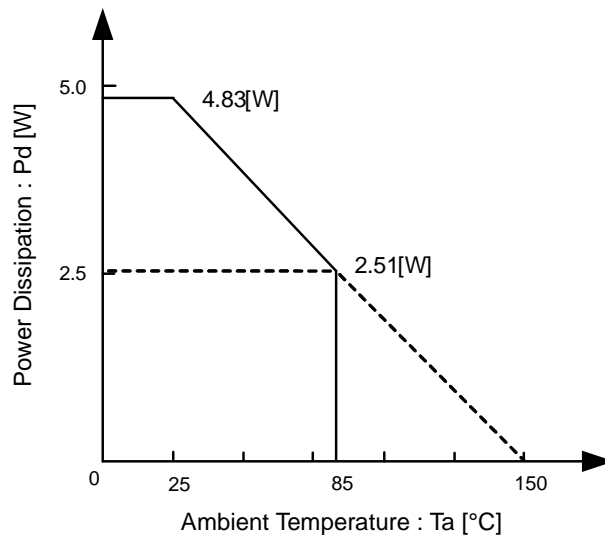
- (a) CH2 to CH6 are monitoring error amp input voltage fed backed from output and enable timer circuit with falling below the detection voltage of short protection circuit. Timer latch circuit will latch power MOS to OFF status of CH2 to CH6 if such condition remained for 1.0[ms].
- (b) All channel except CH1 will be latched with any other channels to be over-current and/or shorted.
- (c) Latch will be released either setting XSHDN1=GND, XSHDN24=GND or restarting the device.
- (d) Short detection comparator will be disabled by soft start.
- (e) The timer latch circuit doesn't operate when an internal power supply is OFF.



(12) Thermal shutdown function

Thermal shutdown function is built in to prevent IC from heat distraction. Thermal circuit will be disabled by PFM.

## Power Dissipation





I/O Equivalent Circuits

Terminal No.	Terminal Name	Equivalent Circuit	Terminal No.	Terminal Name	Equivalent Circuit
7 9 14 15 34 37 46	XSHDN1 XSHDN24 XSHDN5 FB4 XSHDN6 VCC XSHDN3		1 2 16 17 18 19 51 52 55 56	SW1 SW1 OUT4 OUT4 USW4 USW4 USW3 OUT3 OUT1 OUT1	

Terminal No.	Terminal Name	Equivalent Circuit
5 10 28 35 44 45 53 54	TEST1 FB5 FB61 RT FB2 TEST2 FB3 FB1	

Terminal No.	Terminal Name	Equivalent Circuit
12 22 23 26 32 40 41 48 49	SW5 DSW4 DSW4 DPG4 LSO6 SW2 SW2 DSW3 DPG3	

Terminal No.	Terminal Name	Equivalent Circuit
29 31	FB6 SW6	

Terminal No.	Terminal Name	Equivalent Circuit
6 13 24 25 33 42 43 47	VBAT VBAT5 VBAT4 VBAT4 VBAT6 VBAT2 VBAT2 VBAT2 VBAT5 VBAT6	

Terminal No.	Terminal Name	Equivalent Circuit
3 4 8 11 20 21 30 36 38 39 50	PGND1 PGND1 AGND1 PGND5 PGND4 PGND4 PGND6 AGND2 PGND2 PGND2 PGND3	

Terminal No.	Terminal Name	Equivalent Circuit
27	Reserve	

## Operational Notes

### 1. Reverse Connection of Power Supply

Connecting the power supply in reverse polarity can damage the IC. Take precautions against reverse polarity when connecting the power supply, such as mounting an external diode between the power supply and the IC's power supply pins.

### 2. Power Supply Lines

Design the PCB layout pattern to provide low impedance supply lines. Separate the ground and supply lines of the digital and analog blocks to prevent noise in the ground and supply lines of the digital block from affecting the analog block. Furthermore, connect a capacitor to ground at all power supply pins. Consider the effect of temperature and aging on the capacitance value when using electrolytic capacitors.

### 3. Ground Voltage

Ensure that no pins are at a voltage below that of the ground pin at any time, even during transient condition.

### 4. Ground Wiring Pattern

When using both small-signal and large-current ground traces, the two ground traces should be routed separately but connected to a single ground at the reference point of the application board to avoid fluctuations in the small-signal ground caused by large currents. Also ensure that the ground traces of external components do not cause variations on the ground voltage. The ground lines must be as short and thick as possible to reduce line impedance.

### 5. Thermal Consideration

Should by any chance the power dissipation rating be exceeded the rise in temperature of the chip may result in deterioration of the properties of the chip. In case of exceeding this absolute maximum rating, increase the board size and copper area to prevent exceeding the Pd rating. (Refer page 16)

### 6. Recommended Operating Conditions

These conditions represent a range within which the expected characteristics of the IC can be approximately obtained. The electrical characteristics are guaranteed under the conditions of each parameter.

### 7. Inrush Current

When power is first supplied to the IC, it is possible that the internal logic may be unstable and inrush current may flow instantaneously due to the internal powering sequence and delays, especially if the IC has more than one power supply. Therefore, give special consideration to power coupling capacitance, power wiring, width of ground wiring, and routing of connections.

### 8. Operation Under Strong Electromagnetic Field

Operating the IC in the presence of a strong electromagnetic field may cause the IC to malfunction.

### 9. Testing on Application Boards

When testing the IC on an application board, connecting a capacitor directly to a low-impedance output pin may subject the IC to stress. Always discharge capacitors completely after each process or step. The IC's power supply should always be turned off completely before connecting or removing it from the test setup during the inspection process. To prevent damage from static discharge, ground the IC during assembly and use similar precautions during transport and storage.

### 10. Inter-pin Short and Mounting Errors

Ensure that the direction and position are correct when mounting the IC on the PCB. Incorrect mounting may result in damaging the IC. Avoid nearby pins being shorted to each other especially to ground, power supply and output pin. Inter-pin shorts could be due to many reasons such as metal particles, water droplets (in very humid environment) and unintentional solder bridge deposited in between pins during assembly to name a few.

### 11. Unused Input Pins

Input pins of an IC are often connected to the gate of a MOS transistor. The gate has extremely high impedance and extremely low capacitance. If left unconnected, the electric field from the outside can easily charge it. The small charge acquired in this way is enough to produce a significant effect on the conduction through the transistor and cause unexpected operation of the IC. So unless otherwise specified, unused input pins should be connected to the power supply or ground line.

Operational Notes – continued

12. Regarding the Input Pin of the IC

This monolithic IC contains P+ isolation and P substrate layers between adjacent elements in order to keep them isolated. P-N junctions are formed at the intersection of the P layers with the N layers of other elements, creating a parasitic diode or transistor. For example (refer to figure below):

When GND > Pin A and GND > Pin B, the P-N junction operates as a parasitic diode.  
 When GND > Pin B, the P-N junction operates as a parasitic transistor.

Parasitic diodes inevitably occur in the structure of the IC. The operation of parasitic diodes can result in mutual interference among circuits, operational faults, or physical damage. Therefore, conditions that cause these diodes to operate, such as applying a voltage lower than the GND voltage to an input pin (and thus to the P substrate) should be avoided.

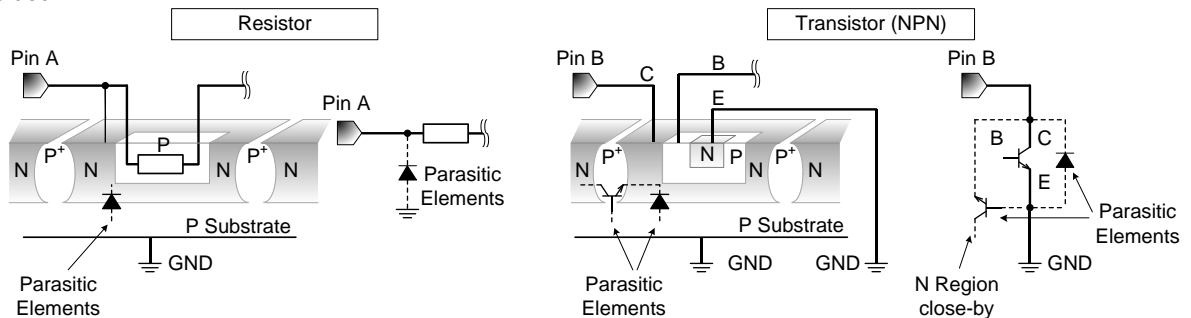


Figure 1. Example of monolithic IC structure

13. Thermal Shutdown Circuit(TSD)

This IC has a built-in thermal shutdown circuit that prevents heat damage to the IC. Normal operation should always be within the IC's power dissipation rating. If however the rating is exceeded for a continued period, the junction temperature (Tj) will rise which will activate the TSD circuit that will turn OFF all output pins. When the Tj falls below the TSD threshold, the circuits are automatically restored to normal operation.

Note that the TSD circuit operates in a situation that exceeds the absolute maximum ratings and therefore, under no circumstances, should the TSD circuit be used in a set design or for any purpose other than protecting the IC from heat damage.

14. Board Patterning

- VBAT,VBAT2,VBAT3,VBAT4,VBAT5, VBAT6 must be connected to the power supply on the board.
- VCC must be connected to OUT1 output on the board.
- ALL PGND and AGND must be connected to GND on the board.
- ALL power supply line and GND terminals must be wired with wide/short pattern in order to achieve the lowest impedance possible.

15. Peripheral Circuitry

- Use low ESR ceramic capacitor for bypass capacitor and place them as close as possible between power supply and GND terminals.
- Place external components such as L and C by IC using wide and short PCB trace patterns.
- Draw output voltage from each end of capacitor.
- Causing short circuit at CH1 output will overload the external diode and may breakdown the component.
- Prepare physical countermeasures by adding poli-switches and fuses to avoid excess current flow.

16. Start-up

- Keep light load condition when starting up the device.
- Switch to PWM mode (XSHDN24=L to H) after CH1 has started up in PFM mode (XSHDN1=L to H), and the OUT1 output voltage is stable.  
 CH3· CH5· CH6 should starts after or simultaneously with PWM mode.

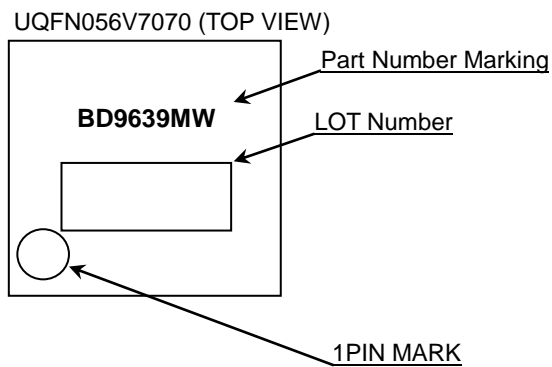
17. Usage of this Product

This IC is designed to be used in DSC/DVD application. When using in other applications, please be sure to consult with our sales representative in advance.

Ordering Information

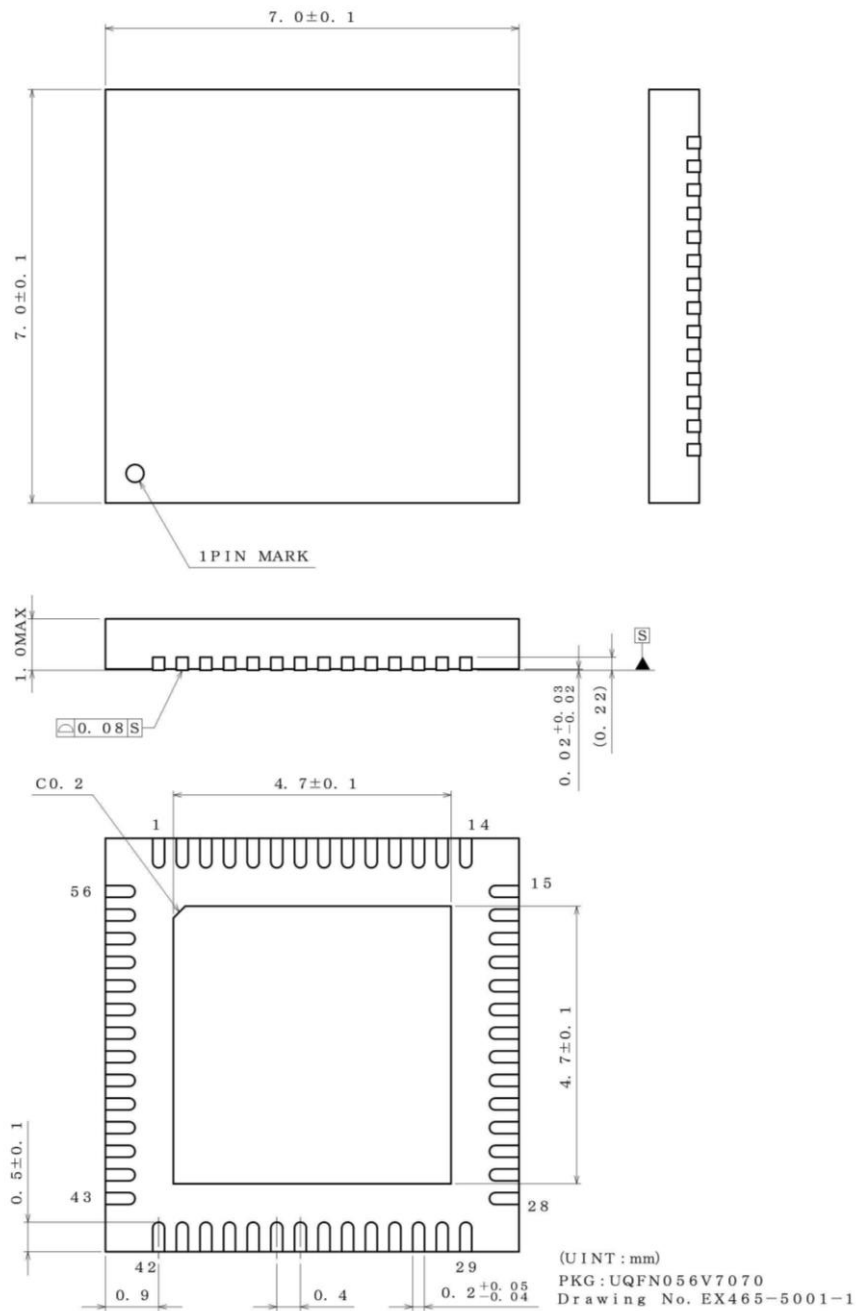
B D 9 6 3 9 M W V	-	E 2
Package Name	Package MWV : UQFN056V7070	Packaging and forming specification E2: Embossed tape and reel

Marking Diagram



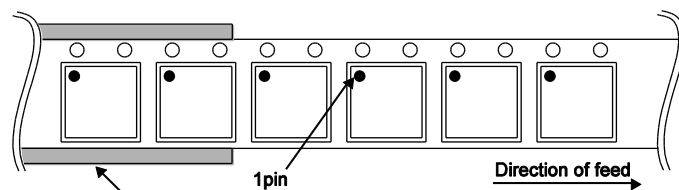
Physical Dimension, Tape and Reel Information

Package Name	UQFN056V7070
--------------	--------------



<Tape and Reel information>

Tape	Embossed carrier tape
Quantity	1500pcs
Direction of feed	E2 ( The direction is the 1pin of product is at the upper left when you hold reel on the left hand and you pull out the tape on the right hand )



\*Order quantity needs to be multiple of the minimum quantity.

## Revision History

Date	Revision	Changes
09.Feb.2016	001	New Release

# Notice

## Precaution on using ROHM Products

- Our Products are designed and manufactured for application in ordinary electronic equipments (such as AV equipment, OA equipment, telecommunication equipment, home electronic appliances, amusement equipment, etc.). If you intend to use our Products in devices requiring extremely high reliability (such as medical equipment <sup>(Note 1)</sup>, transport equipment, traffic equipment, aircraft/spacecraft, nuclear power controllers, fuel controllers, car equipment including car accessories, safety devices, etc.) and whose malfunction or failure may cause loss of human life, bodily injury or serious damage to property ("Specific Applications"), please consult with the ROHM sales representative in advance. Unless otherwise agreed in writing by ROHM in advance, ROHM shall not be in any way responsible or liable for any damages, expenses or losses incurred by you or third parties arising from the use of any ROHM's Products for Specific Applications.

(Note1) Medical Equipment Classification of the Specific Applications

JAPAN	USA	EU	CHINA
CLASS III	CLASS III	CLASS II b	CLASS III
CLASS IV		CLASS III	

- ROHM designs and manufactures its Products subject to strict quality control system. However, semiconductor products can fail or malfunction at a certain rate. Please be sure to implement, at your own responsibilities, adequate safety measures including but not limited to fail-safe design against the physical injury, damage to any property, which a failure or malfunction of our Products may cause. The following are examples of safety measures:
  - Installation of protection circuits or other protective devices to improve system safety
  - Installation of redundant circuits to reduce the impact of single or multiple circuit failure
- Our Products are designed and manufactured for use under standard conditions and not under any special or extraordinary environments or conditions, as exemplified below. Accordingly, ROHM shall not be in any way responsible or liable for any damages, expenses or losses arising from the use of any ROHM's Products under any special or extraordinary environments or conditions. If you intend to use our Products under any special or extraordinary environments or conditions (as exemplified below), your independent verification and confirmation of product performance, reliability, etc. prior to use, must be necessary:
  - Use of our Products in any types of liquid, including water, oils, chemicals, and organic solvents
  - Use of our Products outdoors or in places where the Products are exposed to direct sunlight or dust
  - Use of our Products in places where the Products are exposed to sea wind or corrosive gases, including Cl<sub>2</sub>, H<sub>2</sub>S, NH<sub>3</sub>, SO<sub>2</sub>, and NO<sub>2</sub>
  - Use of our Products in places where the Products are exposed to static electricity or electromagnetic waves
  - Use of our Products in proximity to heat-producing components, plastic cords, or other flammable items
  - Sealing or coating our Products with resin or other coating materials
  - Use of our Products without cleaning residue of flux (even if you use no-clean type fluxes, cleaning residue of flux is recommended); or Washing our Products by using water or water-soluble cleaning agents for cleaning residue after soldering
  - Use of the Products in places subject to dew condensation
- The Products are not subject to radiation-proof design.
- Please verify and confirm characteristics of the final or mounted products in using the Products.
- In particular, if a transient load (a large amount of load applied in a short period of time, such as pulse. is applied, confirmation of performance characteristics after on-board mounting is strongly recommended. Avoid applying power exceeding normal rated power; exceeding the power rating under steady-state loading condition may negatively affect product performance and reliability.
- De-rate Power Dissipation depending on ambient temperature. When used in sealed area, confirm that it is the use in the range that does not exceed the maximum junction temperature.
- Confirm that operation temperature is within the specified range described in the product specification.
- ROHM shall not be in any way responsible or liable for failure induced under deviant condition from what is defined in this document.

## Precaution for Mounting / Circuit board design

- When a highly active halogenous (chlorine, bromine, etc.) flux is used, the residue of flux may negatively affect product performance and reliability.
- In principle, the reflow soldering method must be used on a surface-mount products, the flow soldering method must be used on a through hole mount products. If the flow soldering method is preferred on a surface-mount products, please consult with the ROHM representative in advance.

For details, please refer to ROHM Mounting specification

### Precautions Regarding Application Examples and External Circuits

1. If change is made to the constant of an external circuit, please allow a sufficient margin considering variations of the characteristics of the Products and external components, including transient characteristics, as well as static characteristics.
2. You agree that application notes, reference designs, and associated data and information contained in this document are presented only as guidance for Products use. Therefore, in case you use such information, you are solely responsible for it and you must exercise your own independent verification and judgment in the use of such information contained in this document. ROHM shall not be in any way responsible or liable for any damages, expenses or losses incurred by you or third parties arising from the use of such information.

### Precaution for Electrostatic

This Product is electrostatic sensitive product, which may be damaged due to electrostatic discharge. Please take proper caution in your manufacturing process and storage so that voltage exceeding the Products maximum rating will not be applied to Products. Please take special care under dry condition (e.g. Grounding of human body / equipment / solder iron, isolation from charged objects, setting of Ionizer, friction prevention and temperature / humidity control).

### Precaution for Storage / Transportation

1. Product performance and soldered connections may deteriorate if the Products are stored in the places where:
  - [a] the Products are exposed to sea winds or corrosive gases, including Cl<sub>2</sub>, H<sub>2</sub>S, NH<sub>3</sub>, SO<sub>2</sub>, and NO<sub>2</sub>
  - [b] the temperature or humidity exceeds those recommended by ROHM
  - [c] the Products are exposed to direct sunshine or condensation
  - [d] the Products are exposed to high Electrostatic
2. Even under ROHM recommended storage condition, solderability of products out of recommended storage time period may be degraded. It is strongly recommended to confirm solderability before using Products of which storage time is exceeding the recommended storage time period.
3. Store / transport cartons in the correct direction, which is indicated on a carton with a symbol. Otherwise bent leads may occur due to excessive stress applied when dropping of a carton.
4. Use Products within the specified time after opening a humidity barrier bag. Baking is required before using Products of which storage time is exceeding the recommended storage time period.

### Precaution for Product Label

A two-dimensional barcode printed on ROHM Products label is for ROHM's internal use only.

### Precaution for Disposition

When disposing Products please dispose them properly using an authorized industry waste company.

### Precaution for Foreign Exchange and Foreign Trade act

Since concerned goods might be fallen under listed items of export control prescribed by Foreign exchange and Foreign trade act, please consult with ROHM in case of export.

### Precaution Regarding Intellectual Property Rights

1. All information and data including but not limited to application example contained in this document is for reference only. ROHM does not warrant that foregoing information or data will not infringe any intellectual property rights or any other rights of any third party regarding such information or data.
2. ROHM shall not have any obligations where the claims, actions or demands arising from the combination of the Products with other articles such as components, circuits, systems or external equipment (including software).
3. No license, expressly or implied, is granted hereby under any intellectual property rights or other rights of ROHM or any third parties with respect to the Products or the information contained in this document. Provided, however, that ROHM will not assert its intellectual property rights or other rights against you or your customers to the extent necessary to manufacture or sell products containing the Products, subject to the terms and conditions herein.

### Other Precaution

1. This document may not be reprinted or reproduced, in whole or in part, without prior written consent of ROHM.
2. The Products may not be disassembled, converted, modified, reproduced or otherwise changed without prior written consent of ROHM.
3. In no event shall you use in any way whatsoever the Products and the related technical information contained in the Products or this document for any military purposes, including but not limited to, the development of mass-destruction weapons.
4. The proper names of companies or products described in this document are trademarks or registered trademarks of ROHM, its affiliated companies or third parties.



**General Precaution**

1. Before you use our Products, you are requested to carefully read this document and fully understand its contents. ROHM shall not be in any way responsible or liable for failure, malfunction or accident arising from the use of any ROHM's Products against warning, caution or note contained in this document.
2. All information contained in this document is current as of the issuing date and subject to change without any prior notice. Before purchasing or using ROHM's Products, please confirm the latest information with a ROHM sales representative.
3. The information contained in this document is provided on an "as is" basis and ROHM does not warrant that all information contained in this document is accurate and/or error-free. ROHM shall not be in any way responsible or liable for any damages, expenses or losses incurred by you or third parties resulting from inaccuracy or errors of or concerning such information.



## BD9639MWV - Web Page

[Distribution Inventory](#)

Part Number	BD9639MWV
Package	UQFN056V7070
Unit Quantity	1500
Minimum Package Quantity	1500
Packing Type	Taping
Constitution Materials List	inquiry
RoHS	Yes