

STRUCTURE Silicon Monolithic Integrated Circuit
 TYPE 2 Channel Switching Regulator Controller

PRODUCT SERIES **BD9853FV**

PHISICAL DIMENSIONS Fig.1(Plastic Mold)
 BLOCK DIAGRAM Fig.2
 PIN CONFIGURATION Fig.3

- FEATURE
- 1) Synchronous Switching Regulator Controller 2channels
 - 2) FET(Pch/Nch) Direct Drive
 - 3) Short Circuit Protection (SCP)
 - 4) Under Voltage Lockout Function (UVLO)
 - 5) Thermal Shut Down Function (TSD)
 - 6) Independent ON/OFF Function in Each Channel with Soft Start Pin
 - 7) SSOP – B16 Package

○Absolute Maximum Ratings (Ta = 25 °C)

Parameter	Symbol	Limits	Unit
Supply Voltage (VCC-GND)	Vcc	18	V
VREGA-GND Voltage	VREGA	7	V
VCC-VREGB Voltage	VREGB	7	V
Power Dissipation	Pd	562(*1)	mW
Operating Temperature Range	Topr	-40~+85	°C
Junction Temperature	TJmax	+150	°C
Storage Temperature Range	Tstg	-55~+150	°C

※ Reduced by 4.49mW for each increase in Ta of 1°C over 25°C (When mounted on a board 70 × 70 × 1.6tmm grass-epoxy PCB)

○Recommended Operating Conditions

Parameter	Symbol	Limits			Unit
		Min.	Typ.	Max.	
Supply Voltage	Vcc	4.5	12	16	V
Oscillator Frequency	fosc	100	1000	2000	KHz

Status of this document

The Japanese language version of this document shall be the official specification.
 Any translation of this document shall be for reference only.

○Electrical Characteristics (Unless otherwise specified Ta=25°C, Vcc=12V, fosc=1000kHz, STB=3V)

Parameter	Symbol	Limits			Unit	Conditions
		Min.	Typ.	Max.		
【Whole Device】						
Standby Current	Iccst	—	0	5	μA	STB=0V
Circuit Current	Icc	—	3.2	5.2	mA	INV1, INV2=2.5V
【Regulator for Driver REGA】						
Output Voltage	Vrega	4.5	5.0	5.5	V	
Output Current Capability	Irega	—	—	-100	mA	Vrega > 4.5V
【Regulator for Driver REGB】						
Output Voltage	Vregb	VCC-5.5	VCC-5.0	VCC-4.5	V	
Output Current Capability	Iregb	100	—	—	mA	Vregb < Vcc-4.5V
【Oscillator】						
Oscillator Frequency	fosc	900	1000	1100	kHz	RRT=8.2kΩ OUTH=2200pF, OUTL=1000pF
Oscillator Frequency Coefficient1	Dfosc1	-2	0	2	%	Vcc=4.5~5V
Oscillator Frequency Coefficient2	Dfosc2	-2	0	2	%	Vcc=5~18V
【Error Amplifier】						
Threshold Voltage	Vthea	0.79	0.80	0.81	V	
Input Bias Current	Ibias	-230	-115	—	nA	
Voltage Gain	Av	60	80	100	dB	DC GAIN
Max. Output Voltage	Vfbh	Vrega-0.85	—	—	V	
Min. Output Voltage	Vfbl	—	—	0.85	V	
Output Sink Current	Isink	2	11	—	mA	INV=2.5V, FB=2.5V
Output Source Current	Isource	—	-15	-2	mA	INV=0V, FB=2.5V
【PWM Comparator】						
0% Threshold Voltage	Vth0	1.4	1.5	1.6	V	FB Voltage
100% Threshold Voltage	Vth100	2.4	2.5	2.6	V	FB Voltage
【FET Driver】						
On Resistance (OUT1H)	RonP	1.6	3.2	4.8	Ω	OUT=Hi
	RonN	1.7	3.4	5.1	Ω	OUT=Lo
On Resistance (OUT1L)	RonP	1.6	3.2	4.8	Ω	OUT=Hi
	RonN	1.7	3.4	5.1	Ω	OUT=Lo
On Resistance (OUT2H)	RonP	1.6	3.2	4.5	Ω	OUT=Hi
	RonN	1.7	3.4	5.1	Ω	OUT=Lo
On Resistance (OUT2L)	RonP	1.6	3.2	4.8	Ω	OUT=Hi
	RonN	1.7	3.4	5.1	Ω	OUT=Lo
Dead TIME (turn on)	tdt ON	30	70	120	ns	OUT H,L H→L OUTH=2200pF, OUTL=1000pF
Dead TIME (turn off)	tdt OFF	25	60	115	ns	OUT H,L L→H OUTH=2200pF, OUTL=1000pF
【Control Block】						
Threshold Voltage	Vstb	0.6	1.5	2.4	V	
Sink Current	Istb	6	15	30	μA	
【Soft Start Block】						
Soft Start Start-yo Voltage	Vstasoft	0.2	0.3	0.4	V	Output OFF when Vscp/SOFT < Vstasoft
Standby Voltage	Vstsoft	—	—	40	mV	SCP/SOFT Voltage
Source Current	Isosoft	-3.2	-2.3	-1.4	μA	Vscp/SOFT=0.6V
【Short Circuit Protection (SCP)】						
Timer Start Voltage	Vtime	0.50	0.56	0.62	V	INV Voltage
Threshold Voltage	Vthscp	2.2	2.3	2.4	V	SCP/SOFT Voltage
Standby Voltage	Vstscp	1.21	1.35	1.49	V	SCP/SOFT Voltage (When soft start ends)
Source Current	Isoscp	-3.2	-2.3	-1.4	μA	SCP/SOFT=1.8V
【Under Voltage Lockout (UVLO)】						
Threshold Voltage	Vuvlo	4.0	4.15	4.30	V	Vcc sweep down
Hysteresis Voltage	DVuvlo	0.05	0.1	0.15	V	

©This product is not designed for the protection against radioactive rays.

OPHYSICAL DEMENSIONS

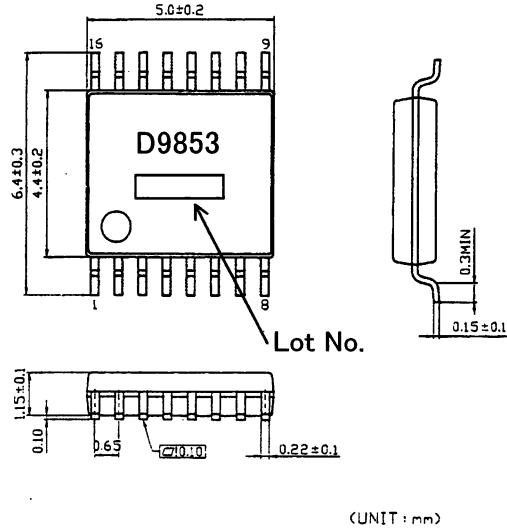


Fig.1

OBLOCK DIAGRAM

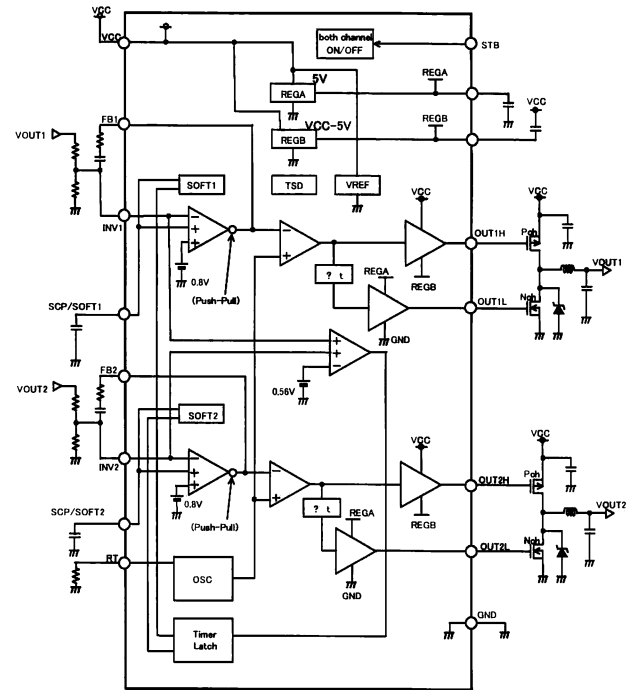


Fig.2

OPIN CONFIGURATION

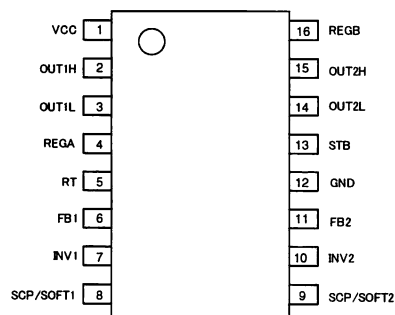


Fig.3

OPIN DESCRIPTION

Pin Number	Pin Name	Pin Descriptions
1	VCC	Input Supply Voltage
2	OUT1H	High Side (Main) FET Driver Output Pin (CH1)
3	OUT1L	Low Side (Synchronous) FET Driver Output Pin (CH1)
4	REGA	Internal Regulator Output Pin (5V Output, 1uF Ceramic Capacitor necessary)
5	RT	Oscillator Frequency Adjustment Pin with external Resistor
6	FB1	Error Amplifier Output Pin (CH1)
7	INV1	Error Amplifier Negative Input Pin (CH1)
8	SCP/SOFT1	Short Circuit Protection·Soft Start Delay Time Setting Pin with External Capacitor (CH1)
9	SCP/SOFT2	Short Circuit Protection·Soft Start Delay Time Setting Pin with External Capacitor (CH2)
10	INV2	Error Amplifier Negative Input Pin (CH2)
11	FB2	Error Amplifier Output Pin (CH2)
12	GND	Ground Pin
13	STB	ON/OFF Control Pin
14	OUT2L	Low Side (Synchronous) FET Driver Output Pin (CH2)
15	OUT2H	High Side (Main) FET Driver Output Pin (CH2)
16	REGB	Internal Regulator Output Pin (VCC-5V Output, 1uF Ceramic Capacitor necessary)

○ Operation Notes

1) Absolute maximum ratings

Use of the IC in excess of absolute maximum ratings such as the applied voltage or operating temperature range may result in IC deterioration or damage. Assumptions should not be made regarding the state of the IC (short mode or open mode) when such damage is suffered. A physical safety measure such as a fuse should be implemented when use of the IC in a special mode where the absolute maximum ratings may be exceeded is anticipated.

2) GND potential

Ensure a minimum GND pin potential in all operating conditions. In addition, ensure that no pins other than the GND pin carry a voltage lower than or equal to the GND pin, including during actual transient phenomena.

3) Thermal design

Use a thermal design that allows for a sufficient margin in light of the power dissipation (Pd) in actual operating conditions.

4) Inter-pin shorts and mounting errors

Use caution when orienting and positioning the IC for mounting on printed circuit boards. Improper mounting may result in damage to the IC. Shorts between output pins or between output pins and the power supply and GND pin caused by the presence of a foreign object may result in damage to the IC.

5) Operation in a strong electromagnetic field

Use caution when using the IC in the presence of a strong electromagnetic field as doing so may cause the IC to malfunction.

6) Thermal shutdown circuit (TSD circuit)

This IC incorporates a built-in thermal shutdown circuit (TSD circuit). The TSD circuit is designed only to shut the IC off to prevent runaway thermal operation. Do not continue to use the IC after operating this circuit or use the IC in an environment where the operation of the thermal shutdown circuit is assumed.

7) Testing on application boards

When testing the IC on an application board, connecting a capacitor to a pin with low impedance subjects the IC to stress. Always discharge capacitors after each process or step. Ground the IC during assembly steps as an antistatic measure, and use similar caution when transporting or storing the IC. Always turn the IC's power supply off before connecting it to or removing it from a jig or fixture during the inspection process.

8) Common impedance

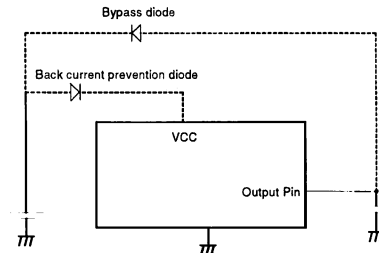
Power supply and ground wiring should reflect consideration of the need to lower common impedance and minimize ripple as much as possible (by making wiring as short and thick as possible or rejecting ripple by incorporating inductance and capacitance).

9) Applications with modes that reverse VCC and pin potentials may cause damage to internal IC circuits.

For example, such damage might occur when VCC is shorted with the GND pin while an external capacitor is charged. It is recommended to insert a diode for preventing back current flow in series with VCC or bypass diodes between VCC and each pin.

10) Pin short and mistake fitting

Do not short-circuit between OUT pin and VCC pin, OUT pin and GND pin, or VCC pin and GND pin. When soldering the IC on circuit board, please be unusually cautious about the orientation and the position of the IC.



11) Timing resistor

Timing resistor connected between RT and GND, has to be placed near RT terminal. And pattern has to be short enough.

12) IC pin input

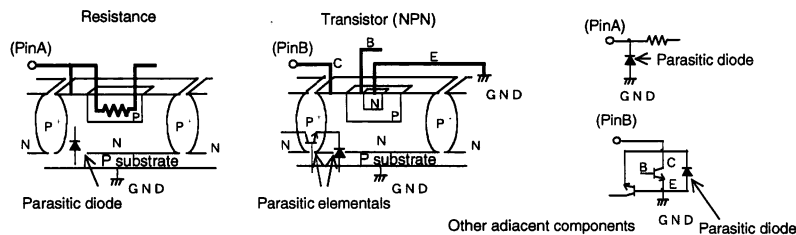
This monolithic IC contains P+ isolation and PCB layers between adjacent elements in order to keep them isolated. P/N junctions are formed at the intersection of these P layers with the N layers of other elements to create a variety of parasitic elements.

For example, when a resistor and transistor are connected to pins as shown in following chart,

○ the P/N junction functions as a parasitic diode when $GND > (Pin A)$ for the resistor or $GND > (Pin B)$ for the transistor (NPN).

○ Similarly, when $GND > (Pin B)$ for the transistor (NPN), the parasitic diode described above combines with the N layer of other adjacent elements to operate as a parasitic NPN transistor.

The formation of parasitic elements as a result of the relationships of the potentials of different pins is an inevitable result of the IC's architecture. The operation of parasitic elements can cause interference with circuit operation as well as IC malfunction and damage. For these reasons, it is necessary to use caution so that the IC is not used in a way that will trigger the operation of parasitic elements, such as by the application of voltages lower than the GND (PCB) voltage to input and output pins.



Notes

- No technical content pages of this document may be reproduced in any form or transmitted by any means without prior permission of ROHM CO.,LTD.
- The contents described herein are subject to change without notice. The specifications for the product described in this document are for reference only. Upon actual use, therefore, please request that specifications to be separately delivered.
- Application circuit diagrams and circuit constants contained herein are shown as examples of standard use and operation. Please pay careful attention to the peripheral conditions when designing circuits and deciding upon circuit constants in the set.
- Any data, including, but not limited to application circuit diagrams information, described herein are intended only as illustrations of such devices and not as the specifications for such devices. ROHM CO.,LTD. disclaims any warranty that any use of such devices shall be free from infringement of any third party's intellectual property rights or other proprietary rights, and further, assumes no liability of whatsoever nature in the event of any such infringement, or arising from or connected with or related to the use of such devices.
- Upon the sale of any such devices, other than for buyer's right to use such devices itself, resell or otherwise dispose of the same, no express or implied right or license to practice or commercially exploit any intellectual property rights or other proprietary rights owned or controlled by
- ROHM CO., LTD. is granted to any such buyer.
- Products listed in this document are no antiradiation design.

The products listed in this document are designed to be used with ordinary electronic equipment or devices (such as audio visual equipment, office-automation equipment, communications devices, electrical appliances and electronic toys).

Should you intend to use these products with equipment or devices which require an extremely high level of reliability and the malfunction of which would directly endanger human life (such as medical instruments, transportation equipment, aerospace machinery, nuclear-reactor controllers, fuel controllers and other safety devices), please be sure to consult with our sales representative in advance.

About Export Control Order in Japan

Products described herein are the objects of controlled goods in Annex 1 (Item 16) of Export Trade Control Order in Japan.

In case of export from Japan, please confirm if it applies to "objective" criteria or an "informed" (by MITI clause) on the basis of "catch all controls for Non-Proliferation of Weapons of Mass Destruction.

Thank you for your accessing to ROHM product informations.
More detail product informations and catalogs are available,
please contact your nearest sales office.

Please contact our sales offices for details ;

U.S.A / San Diego	TEL : +1(858)625-3630	FAX : +1(858)625-3670
Atlanta	TEL : +1(770)754-5972	FAX : +1(770)754-0691
Dallas	TEL : +1(972)312-8818	FAX : +1(972)312-0330
Germany / Dusseldorf	TEL : +49(2154)9210	FAX : +49(2154)921400
United Kingdom / London	TEL : +44(1)908-282-666	FAX : +44(1)908-282-528
France / Paris	TEL : +33(0)1 56 97 30 60	FAX : +33(0) 1 56 97 30 80
China / Hong Kong	TEL : +852(2)740-6262	FAX : +852(2)375-8971
Shanghai	TEL : +86(21)6279-2727	FAX : +86(21)6247-2066
Dilian	TEL : +86(411)8230-8549	FAX : +86(411)8230-8537
Beijing	TEL : +86(10)8525-2483	FAX : +86(10)8525-2489
Taiwan / Taipei	TEL : +866(2)2500-6956	FAX : +866(2)2503-2869
Korea / Seoul	TEL : +82(2)8182-700	FAX : +82(2)8182-715
Singapore	TEL : +65-6332-2322	FAX : +65-6332-5662
Malaysia / Kuala Lumpur	TEL : +60(3)7958-8355	FAX : +60(3)7958-8377
Philippines / Manila	TEL : +63(2)807-6872	FAX : +63(2)809-1422
Thailand / Bangkok	TEL : +66(2)254-4890	FAX : +66(2)256-6334

Japan /
(Internal Sales)

Tokyo	2-1-1, Yaesu, Chuo-ku, Tokyo 104-0082	TEL : +81(3)5203-0321	FAX : +81(3)5203-0300
Yokohama	2-4-8, Shin Yokohama, Kohoku-ku, Yokohama, Kanagawa 222-8575	TEL : +81(45)476-2131	FAX : +81(45)476-2128
Nagoya	Dainagayo Building 9F 3-28-12, Meieki, Nakamura-ku, Nagoya, Aichi 450-0002	TEL : +81(52)581-8521	FAX : +81(52)561-2173
Kyoto	579-32 Higashi Shiokouji-cho, Karasuma Nishi-iru, Shiokoujidori, Shimogyo-ku, Kyoto 600-8216	TEL : +81(75)311-2121	FAX : +81(75)314-6559

(Contact address for overseas customers in Japan)

Yokohama	TEL : +81(45)476-9270	FAX : +81(045)476-9271
----------	-----------------------	------------------------