

Emergency Stop Relay

Type BE 5982.02
safemaster



Model BE 5982.02



Features

- Category 2, SIL CL3
- Contacts 2 N/O
- Ultra compact 22 mm wide case
- Internal auxiliary power supply protection with automatic reset
- 24V DC only

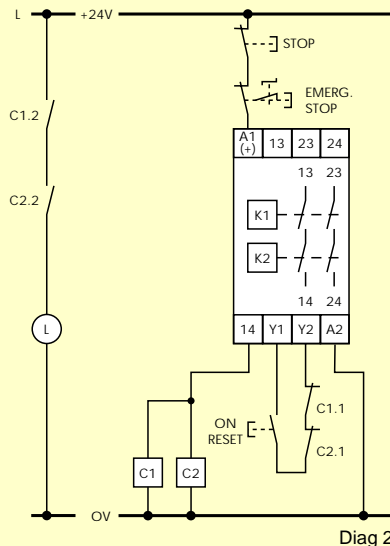
Typical Schematic Diagram

BE 5982.02

If automatic reset is required link Y1-Y2

Diag 1

BE 5982.02



Diag 2

The diagram shows how external contactors with positive guided contacts C1 and C2 may be used to reinforce the switching capacity of BE5982 with continued redundancy.

Description

Emergency Stop Relay BE 5982 complies fully with the requirements of the Standard Specifications referred to on page xx. The unit is housed in an ultra compact 22.5 mm case suitable for DIN rail mounting.

Circuit Connections

The OFF and the EMERGENCY STOP buttons are connected in series between +24V and terminal A1 with 0V connected to terminal A2. The ON/reset button is connected between terminals 13-14 and 23-24. The circuits to be tripped may be connected to terminals 13-14 and 23-24. When the EMERGENCY STOP button is activated power is removed from terminal A1, relays K1 and K2 are de-energised and contacts 13-14 and 23-24 open.

Indication

The relay is equipped with two LEDs. When illuminated they indicate the healthy condition of circuits K1 and K2.

Additional Information

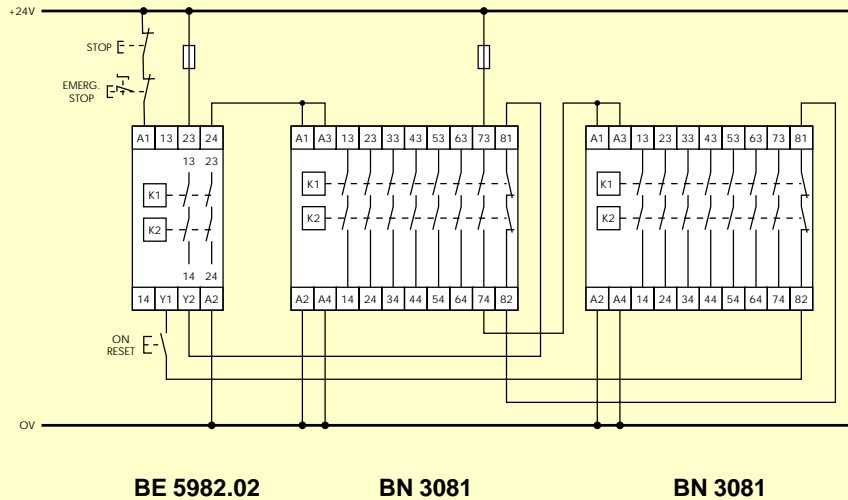
If additional switching contacts are required then Relay BE 5982 may be used with extension modules Type LG 5929 / BG 5929 / BN 3081 (diag. 3). Should a delayed release contact be required then BE 5982 may be used with time delay modules BG5925 / BG 5926 / IL 7824 / IN 7824 (diag. 4).

Emergency Stop Relay

Type BE 5982.02
safemaster



BE 5982.02 with BN 3081 Extension modules



BE 5982.02

BN 3081

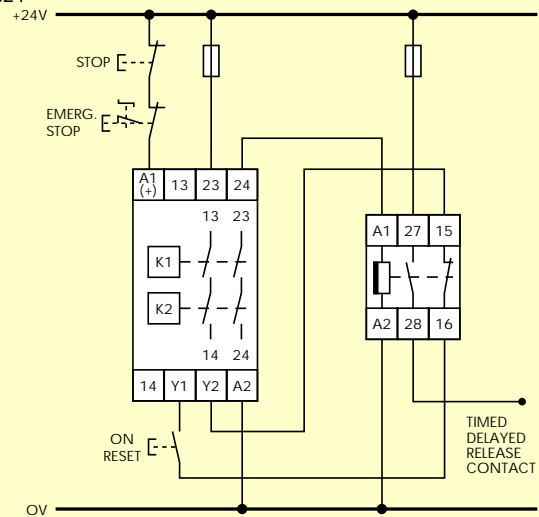
BN 3081

Diag 3

Specifications

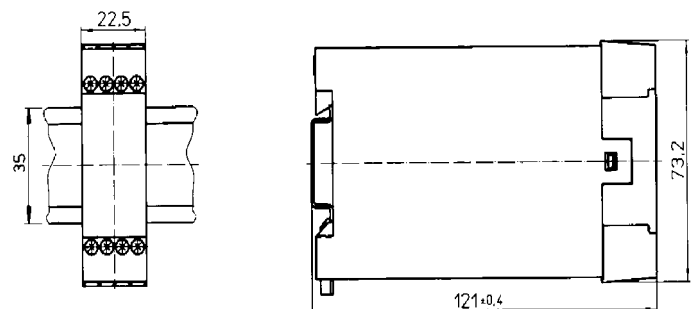
Nominal Voltage (Vn)	24V dc
Burden	1.6W
Voltage Tolerance	0.8...1.2Vn dc
Control Voltage	24V dc
Contacts	2 N/O
Max. Switching Capacity	8A ac (cos ϕ 1–0.7) 8A dc see page xx
Continuous Current Rating	see page xx
Contact Life Mechanical	30 x 10 ⁶ operations
Contact Life Electrical	see page xx
Derating Capacity	AC15, 4A, 250V ac
(for Heavy Inductive Loads)	DC13, 4A, 24V dc
Min. Switching Voltage & Current	10V, 15mA ac/dc
Max. Switching Voltage	250V ac, 250V dc
Max. Switching Power	2000VA(AC1) 192W dc
Max. Switching Frequency	6000 operations/hour
Reaction Times	Reset 100ms E-STOP<30ms
Operating Temperature	-15°C...+55°C at 90% RH
Protection Class	Case IP40 Terminals IP20
Test Voltage	2.5KV 1 minute
Shock Loading	Amplitude 0.35mm Frequency 10–55Hz (5g @ 50Hz)
Enclosure Material	Thermoplastic VO Rating UL94
Terminations	1 x 4mm ² solid 2 x 2.5mm ² solid 1 x 2.5mm ² stranded ferruled 1 x 1.5mm ² stranded

BE 5982.02 with additional delayed release safety timer IL 7824, IN 7824



Diag 4

Dimensions



Weight 0.17 Kg

Information Required With Order

• Model type • Auxiliary supply

Example: Emergency Stop Relay Type BE 5982.02
Auxiliary Supply 24V dc